



US00D392852S

# United States Patent [19]

Weterrings et al.

[11] Patent Number: **Des. 392,852**

[45] Date of Patent: **\*\*Mar. 31, 1998**

[54] **CAROUSEL STORAGE RACK**

[75] Inventors: **Frans M. Weterrings**, Tuscumbia; **E. Stanley Robbins**, Killen; **Rodney W. Robbins**, Florence, all of Ala.

[73] Assignee: **Robbins Industries Inc.**, Florence, Ala.

[\*\*] Term: **14 Years**

2,566,430 9/1951 Sobers ..... 211/77 X  
 2,723,763 11/1955 Baldwin .  
 3,322,308 5/1967 Foster .  
 3,469,732 9/1969 Foster .  
 4,162,751 7/1979 Hetland et al. .  
 4,284,200 8/1981 Bush et al. .  
 4,693,399 9/1987 Hickman et al. .  
 4,775,055 10/1988 Morse ..... 211/77 X  
 4,957,219 9/1990 Robbins et al. .  
 5,031,779 7/1991 Szenay et al. .  
 5,335,804 8/1994 Flory .  
 5,524,775 6/1996 Kaine .

[21] Appl. No.: **64,082**

[22] Filed: **Dec. 17, 1996**

[51] LOC (6) Cl. .... **07-06**

[52] U.S. Cl. .... **D7/706; D7/600**

[58] Field of Search ..... **D7/600, 701, 705-708; 211/77, 78, 144**

*Primary Examiner*—Terry A. Wallace  
*Attorney, Agent, or Firm*—Curtis, Morris & Safford, P.C.;  
 Gregor N. Neff, Esq.

### [57] CLAIM

The ornamental design for a carousel storage rack, as shown and described.

### DESCRIPTION

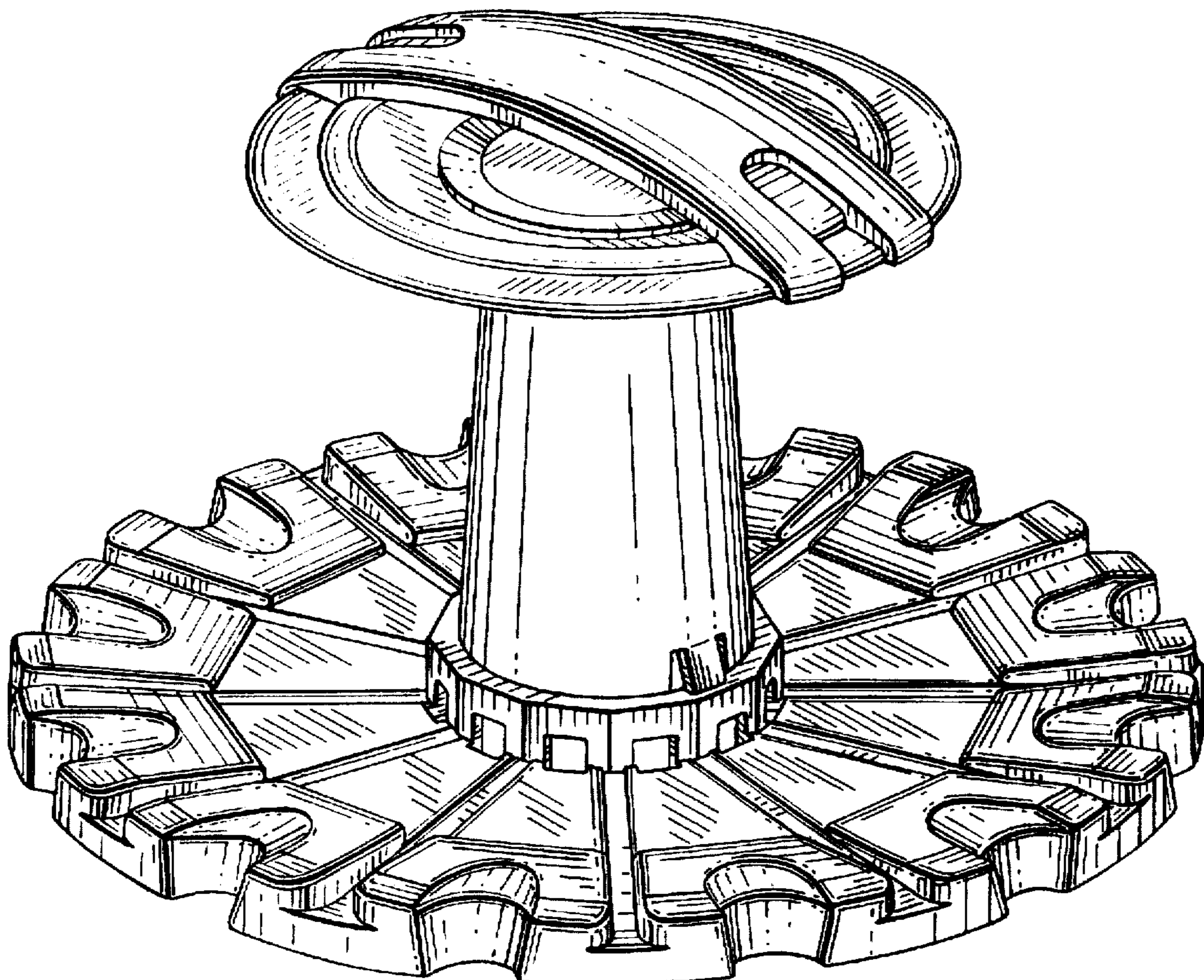
FIG. 1 is a perspective view of a carousel storage rack showing our new design;  
 FIG. 2 is a top plan view thereof;  
 FIG. 3 is a side elevation view thereof; and,  
 FIG. 4 is a bottom plan view thereof.

**1 Claim, 4 Drawing Sheets**

### [56] References Cited

#### U.S. PATENT DOCUMENTS

D. 232,341 8/1974 Mudde ..... D7/600 X  
 D. 290,573 6/1987 Drummond, Jr. et al. .... D7/600 X  
 1,977,092 10/1934 Scurlock .  
 1,978,695 10/1934 Clark .  
 2,030,899 2/1936 Scurlock .  
 2,110,921 3/1938 Scurlock .  
 2,431,837 12/1947 Spotts et al. .



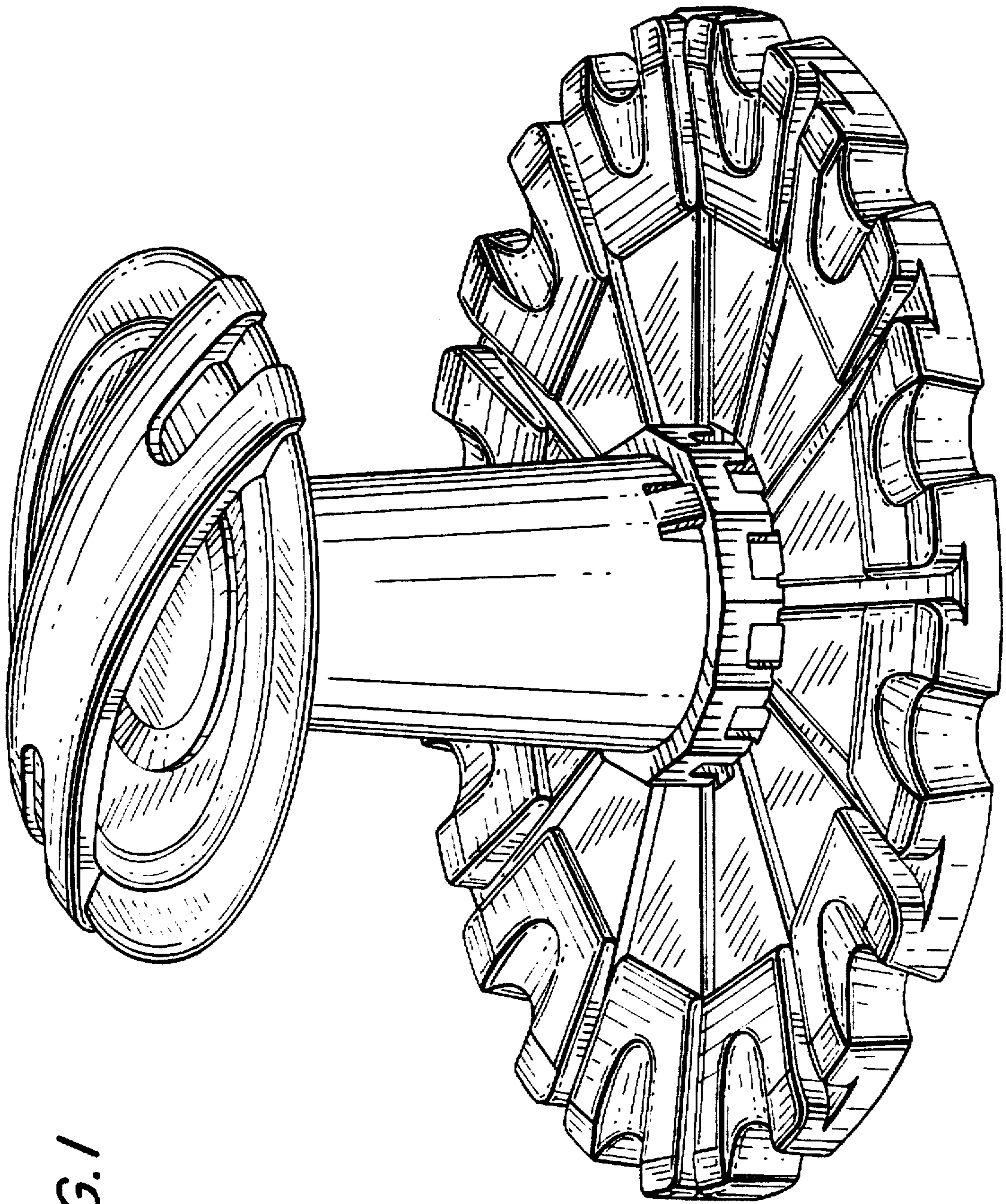
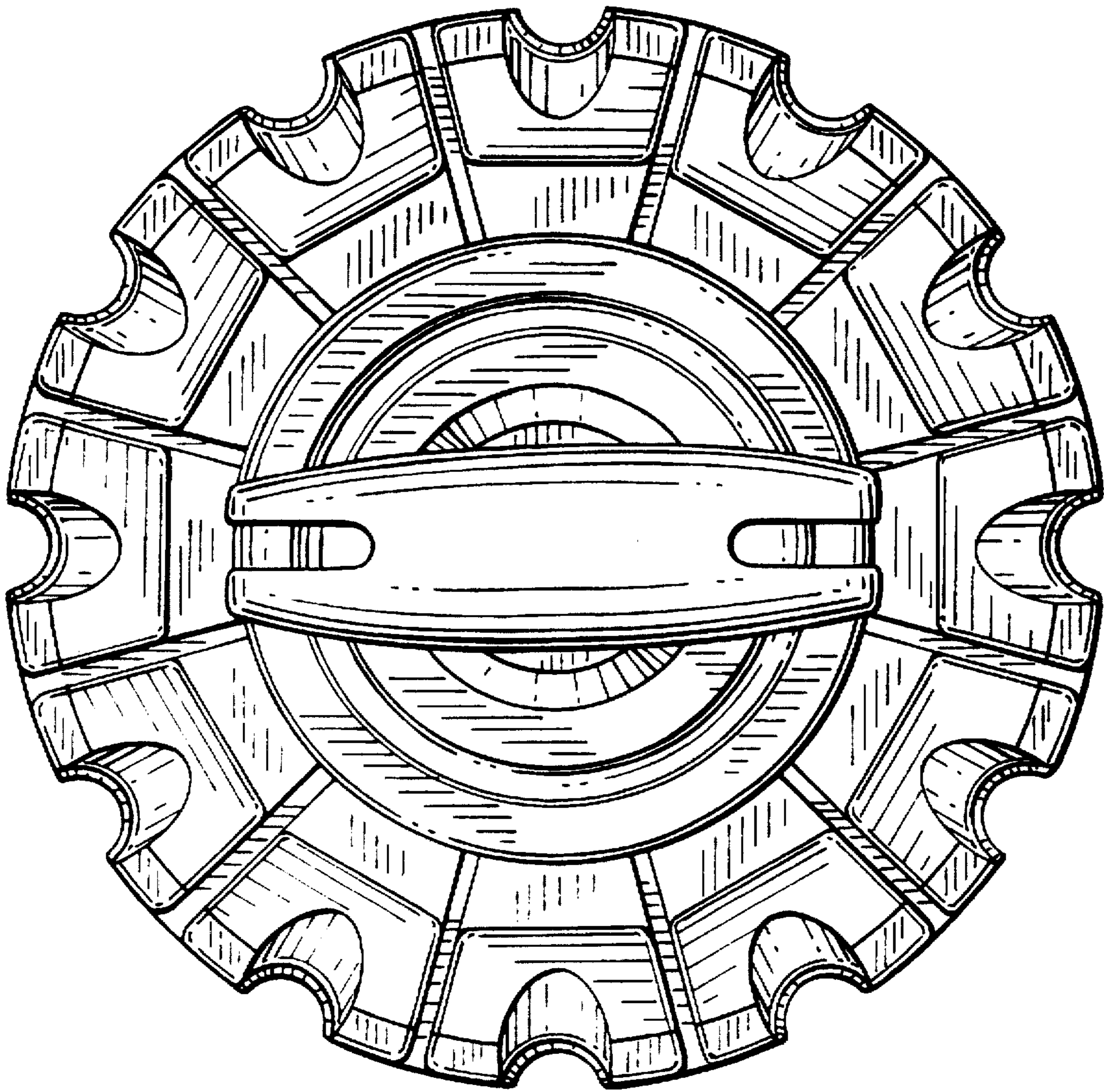
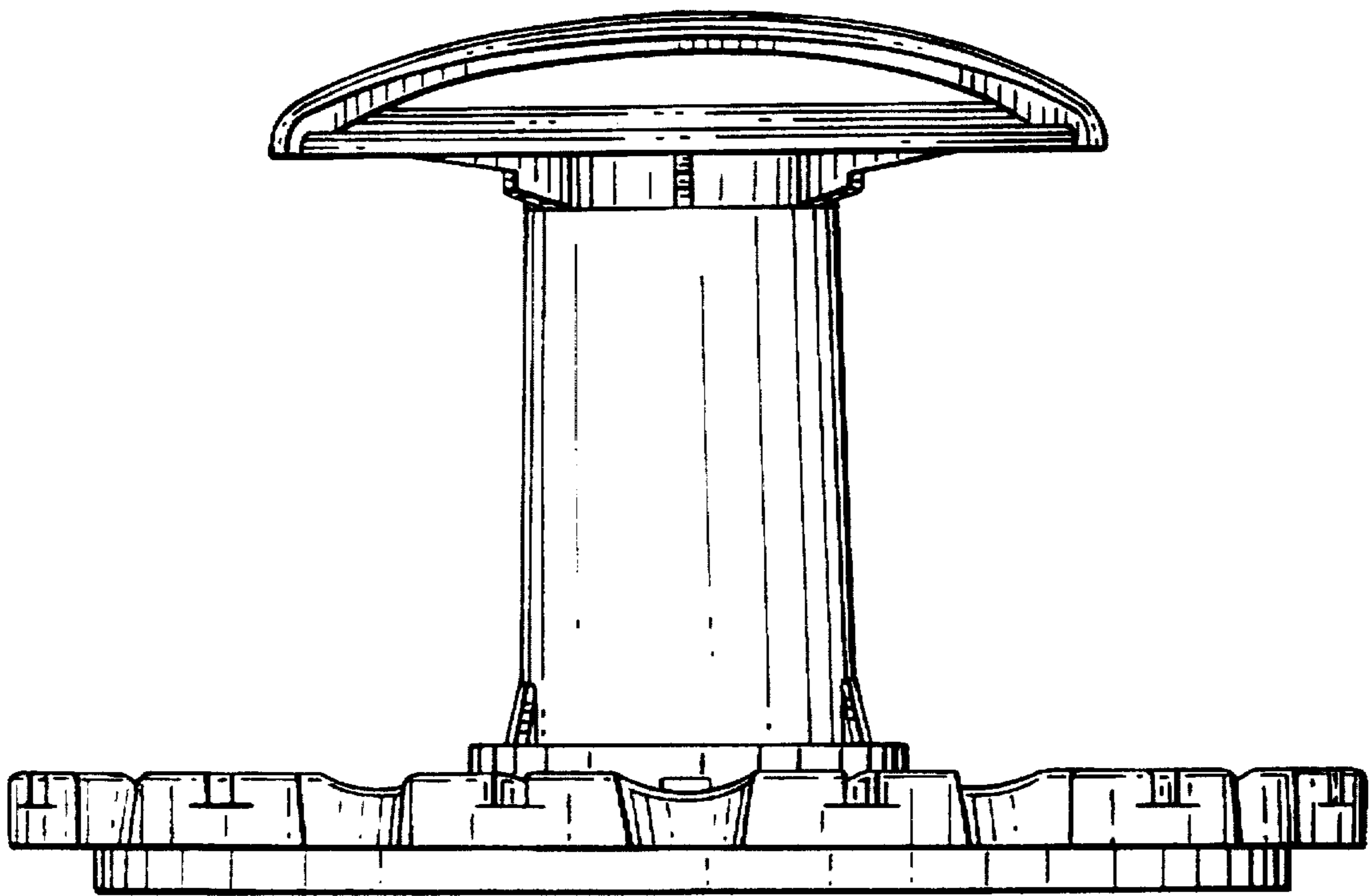


FIG. 1

*FIG. 2*



*FIG. 3*



*FIG. 4*

