



US00D392837S

United States Patent [19]
Lee

[11] **Patent Number: Des. 392,837**
[45] **Date of Patent: **Mar. 31, 1998**

[54] **DISPENSING SYSTEM**

4,699,342 10/1987 Bartz et al. D7/397 X
4,834,250 5/1989 Dumbeck et al. D7/397 X

[76] **Inventor: Rudolph F. Lee, 211 Agnew Dr., Greenwood, S.C. 29649**

Primary Examiner—M. N. Pandozzi

[**] **Term: 14 Years**

[57] **CLAIM**

[21] **Appl. No.: 63,425**

The ornamental design for a dispensing system, as shown and described.

[22] **Filed: Dec. 9, 1996**

DESCRIPTION

[51] **LOC (6) Cl. 07-01**

FIG. 1 is a left side view of the dispensing system of the present invention;

[52] **U.S. Cl. D7/306; D7/313**

FIG. 2 is a right side view of the dispensing system of FIG. 1;

[58] **Field of Search D7/307, 300, 308, D7/392, 397, 306, 312, 313; 222/185, 189; D6/542, 543**

FIG. 3 is a rear view of the dispensing system of FIG. 1;

FIG. 4 is a front view of the dispensing system of FIG. 1;

FIG. 5 is a top view of the dispensing system of FIG. 1; and

FIG. 6 is a bottom view of the dispensing system of FIG. 1.

The central protruding portion in FIGS. 1-4 is broken away to show indeterminate length.

[56] **References Cited**

U.S. PATENT DOCUMENTS

- D. 341,986 12/1993 Futscher D7/313
- D. 343,982 2/1994 Davis et al. D7/306 X
- D. 380,641 7/1997 Randle D7/306 X
- 1,266,667 5/1918 Doering et al. D7/306 X

1 Claim, 3 Drawing Sheets

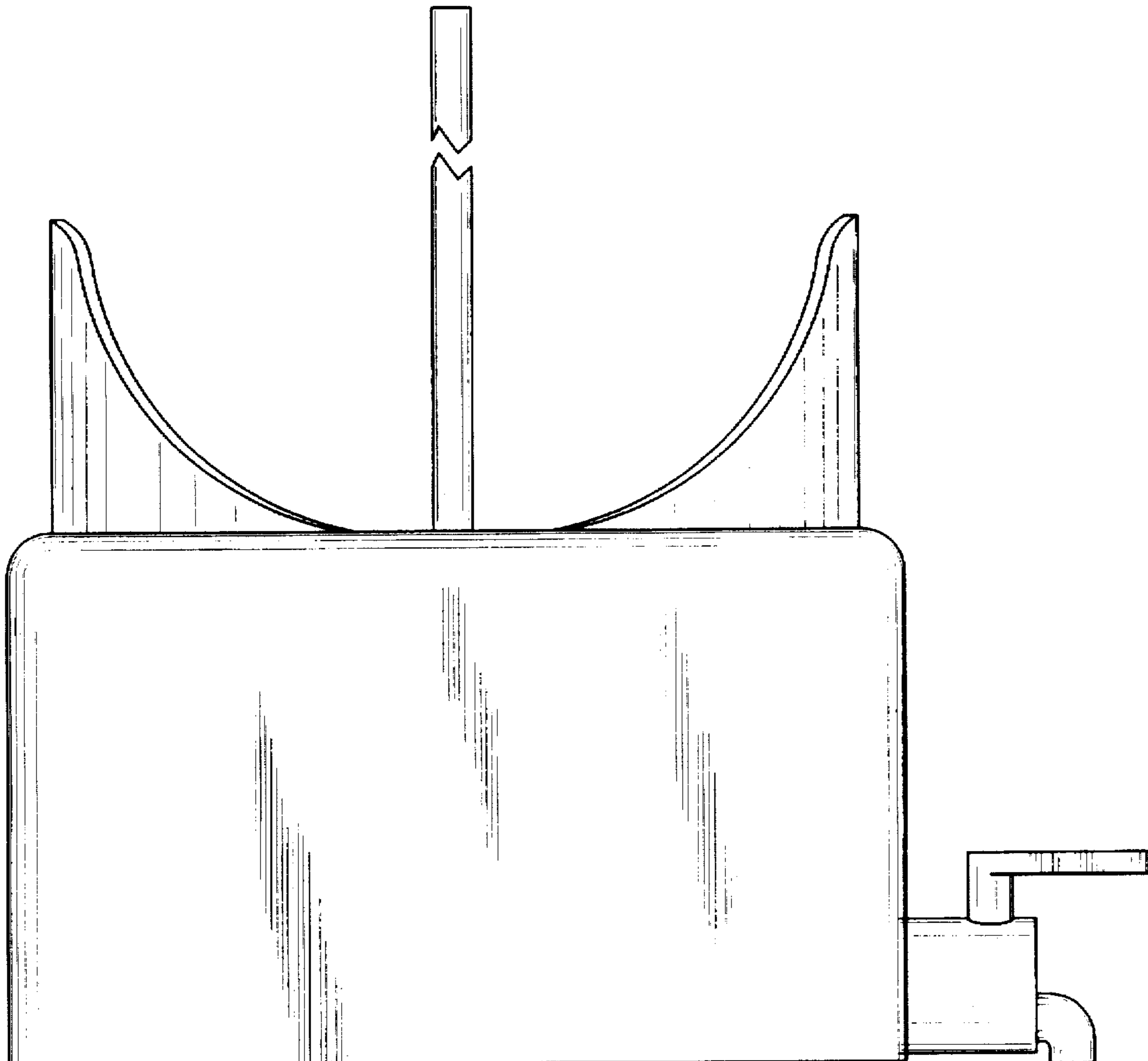


FIG. 1

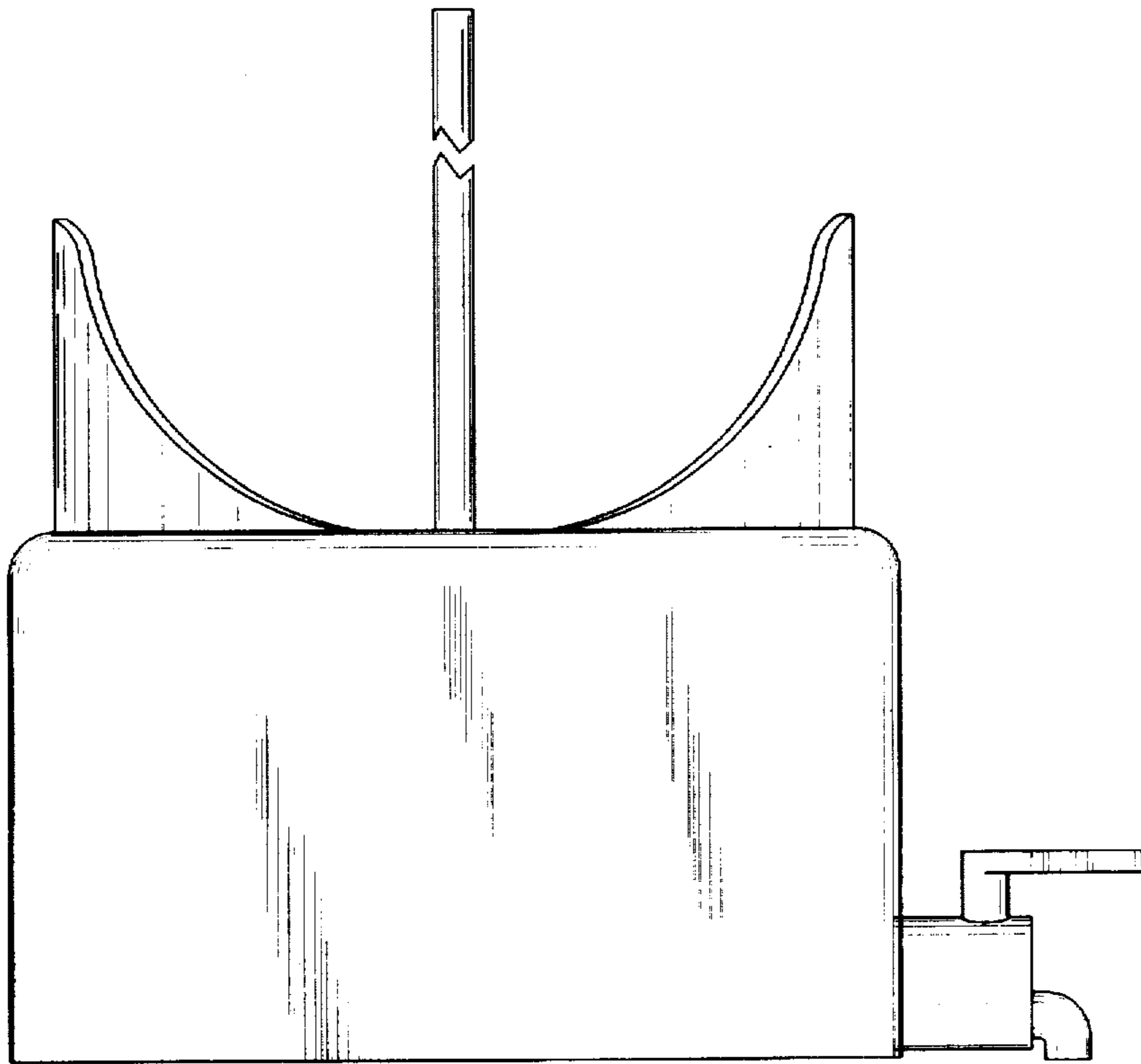


FIG. 2

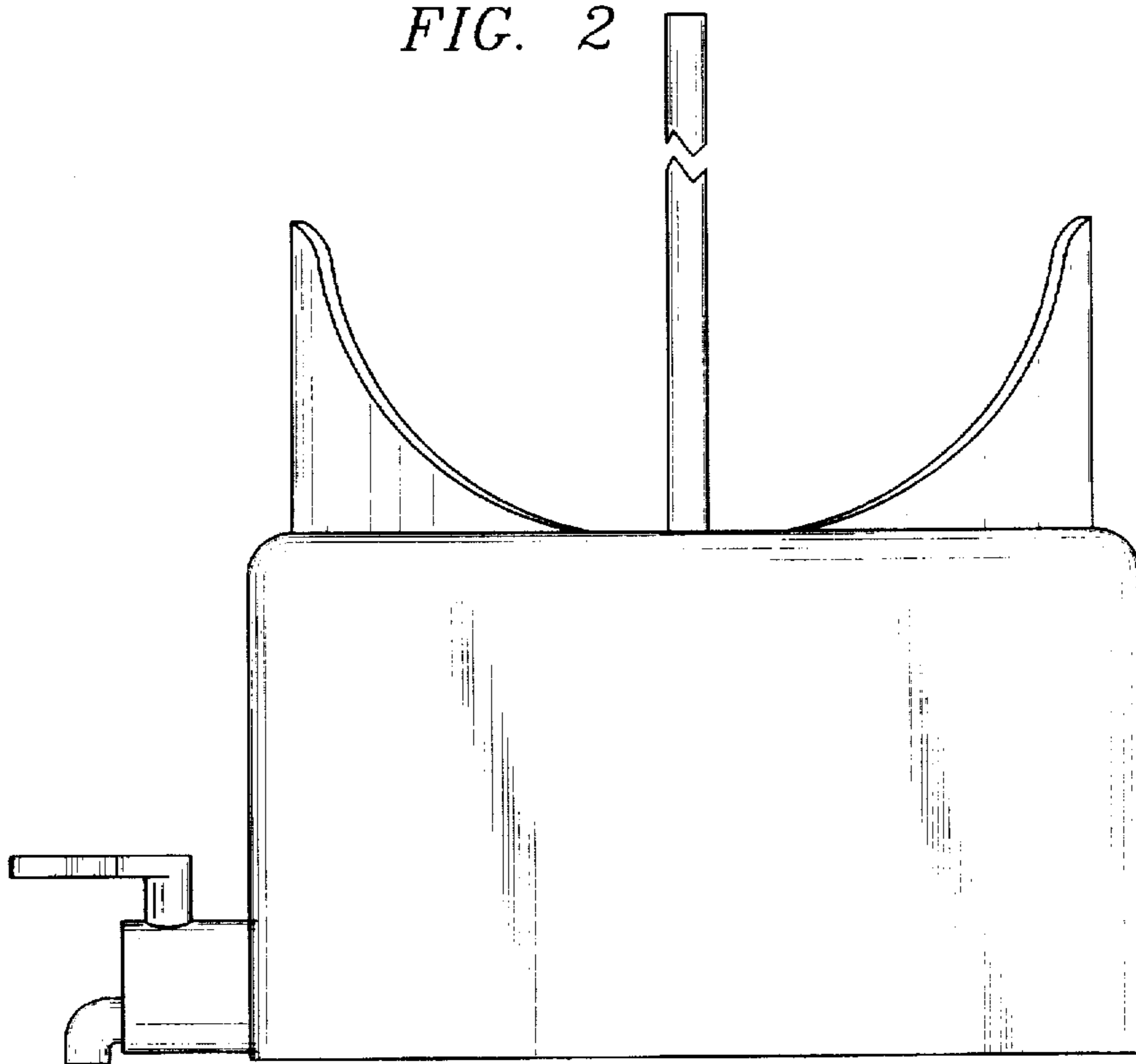


FIG. 3

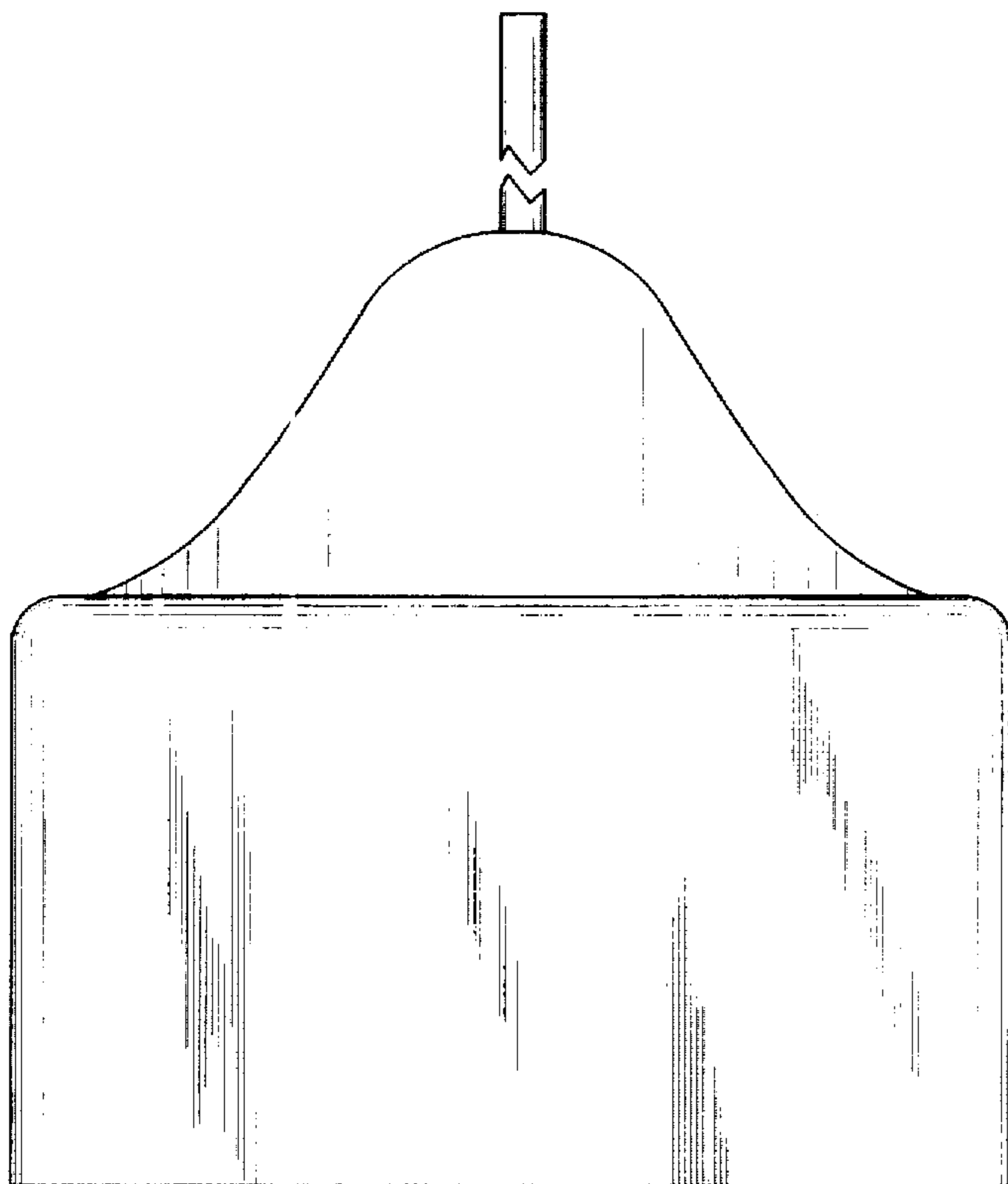


FIG. 4

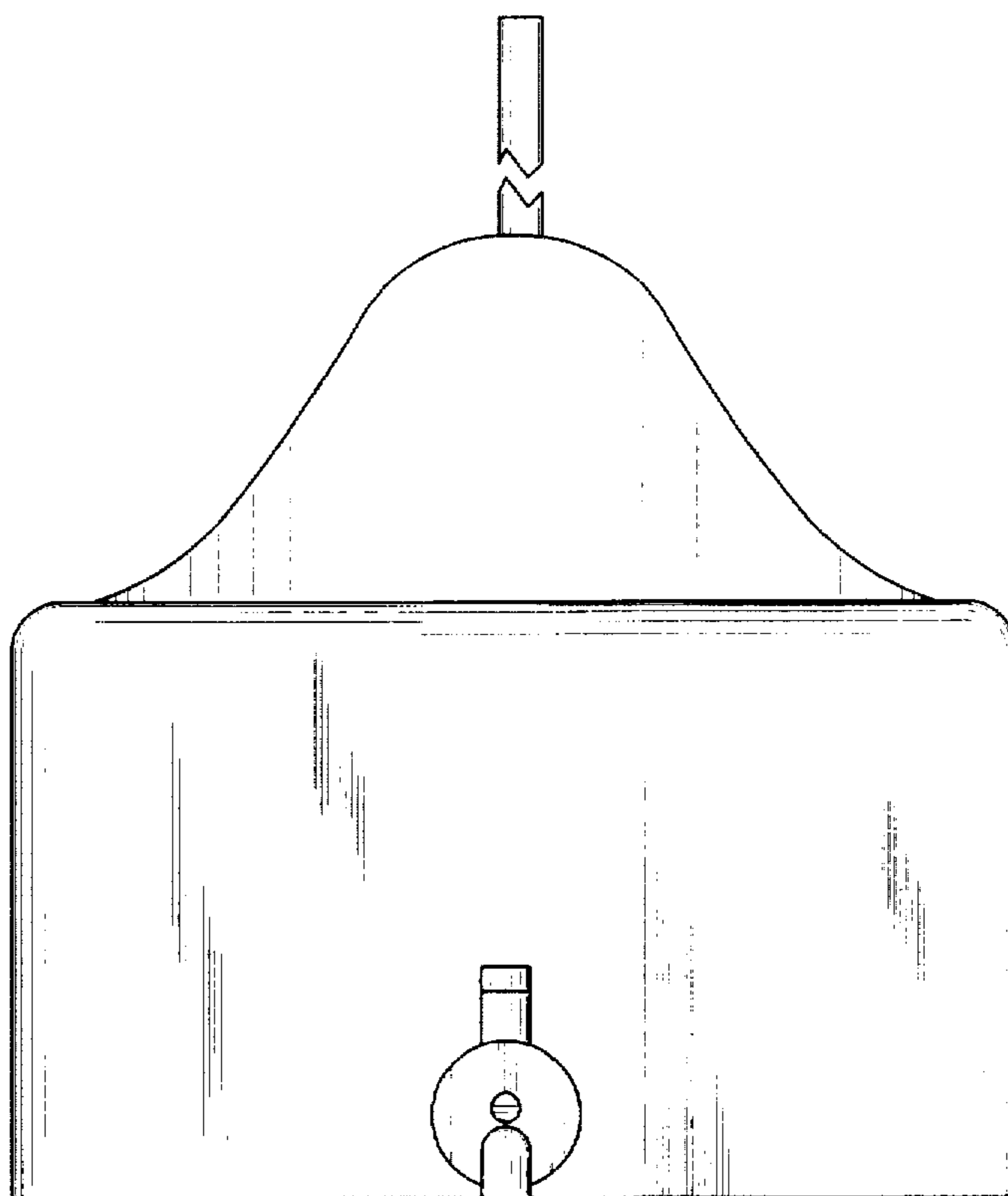


FIG. 5

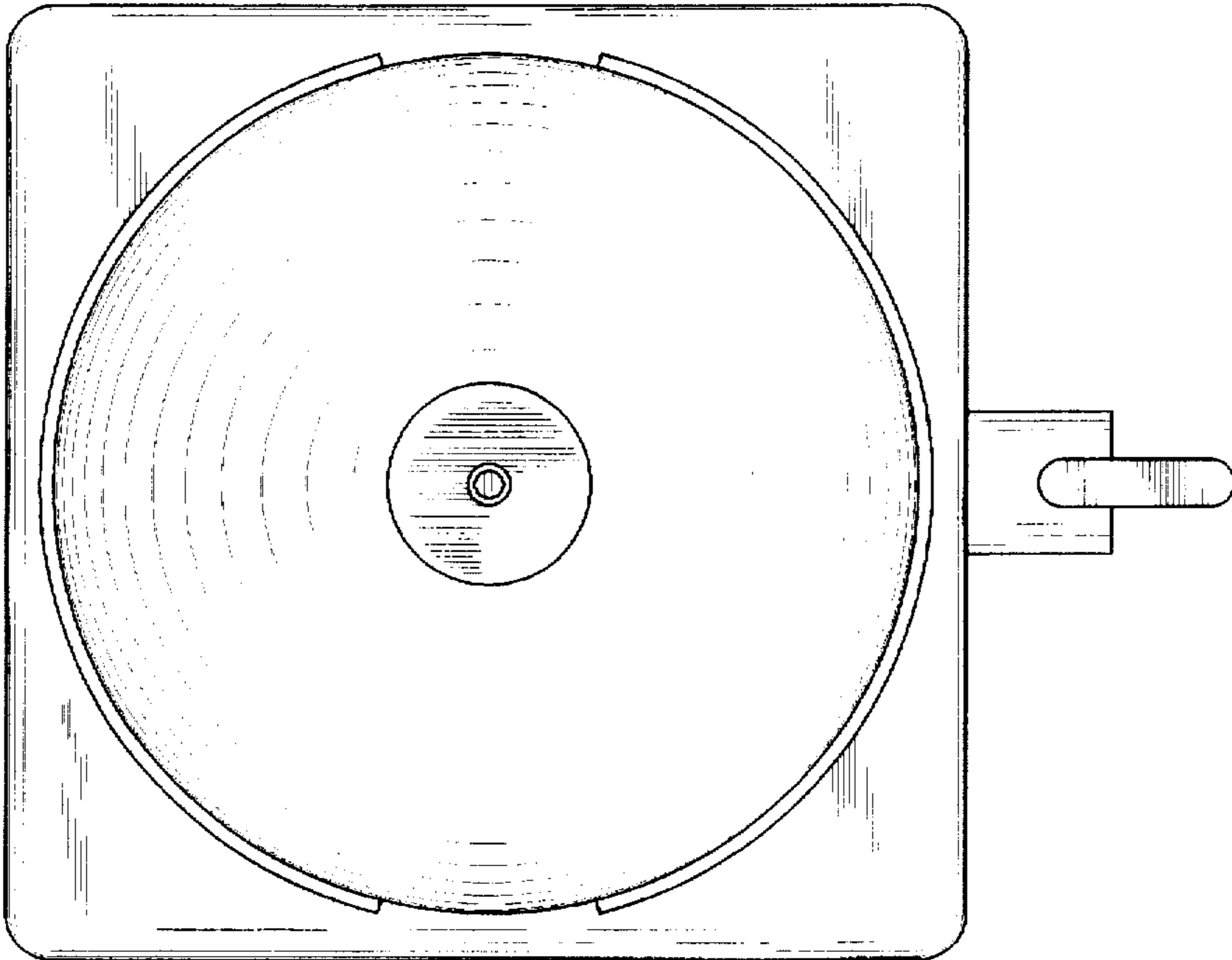


FIG. 6

