



US00D392828S

United States Patent [19]
Lauer

[11] **Patent Number: Des. 392,828**
[45] **Date of Patent: **Mar. 31, 1998**

[54] **SHELF**

[76] **Inventor: Jack Lauer, N5635 Rockridge Cir., Johnson Creek, Wis. 53038**

[**] **Term: 14 Years**

[21] **Appl. No.: 66,776**

[22] **Filed: Feb. 21, 1997**

[51] **LOC (6) Cl. 06-04**

[52] **U.S. Cl. D6/574**

[58] **Field of Search D6/574, 552, 553, D6/567, 571; 211/13.1, 42, 90, 134, 153, 86-88, 45; D21/8**

[56] **References Cited**

U.S. PATENT DOCUMENTS

D. 92,870 7/1934 Stone D6/571
D. 213,114 1/1969 Rzetelny D6/572
D. 251,863 5/1979 Gordon D21/8 X

D. 375,646 11/1996 Stewart D6/574
1,893,585 1/1933 Hogan 211/45 X

Primary Examiner—Pamela J. Burgess
Attorney, Agent, or Firm—Andrus, Scales, Starke & Sawall

[57] **CLAIM**

The ornamental design for a shelf, as shown and described.

DESCRIPTION

FIG. 1 is a bottom perspective view of a shelf showing my new design;

FIG. 2 is a front elevational view thereof;

FIG. 3 is a rear elevational view thereof;

FIG. 4 is a top view thereof;

FIG. 5 is a bottom view thereof; and,

FIG. 6 is a right side elevational view, the undisclosed left side being a mirror image.

The broken lines shown in the drawings are for illustrative purposes only and form no part of the claimed design.

1 Claim, 4 Drawing Sheets

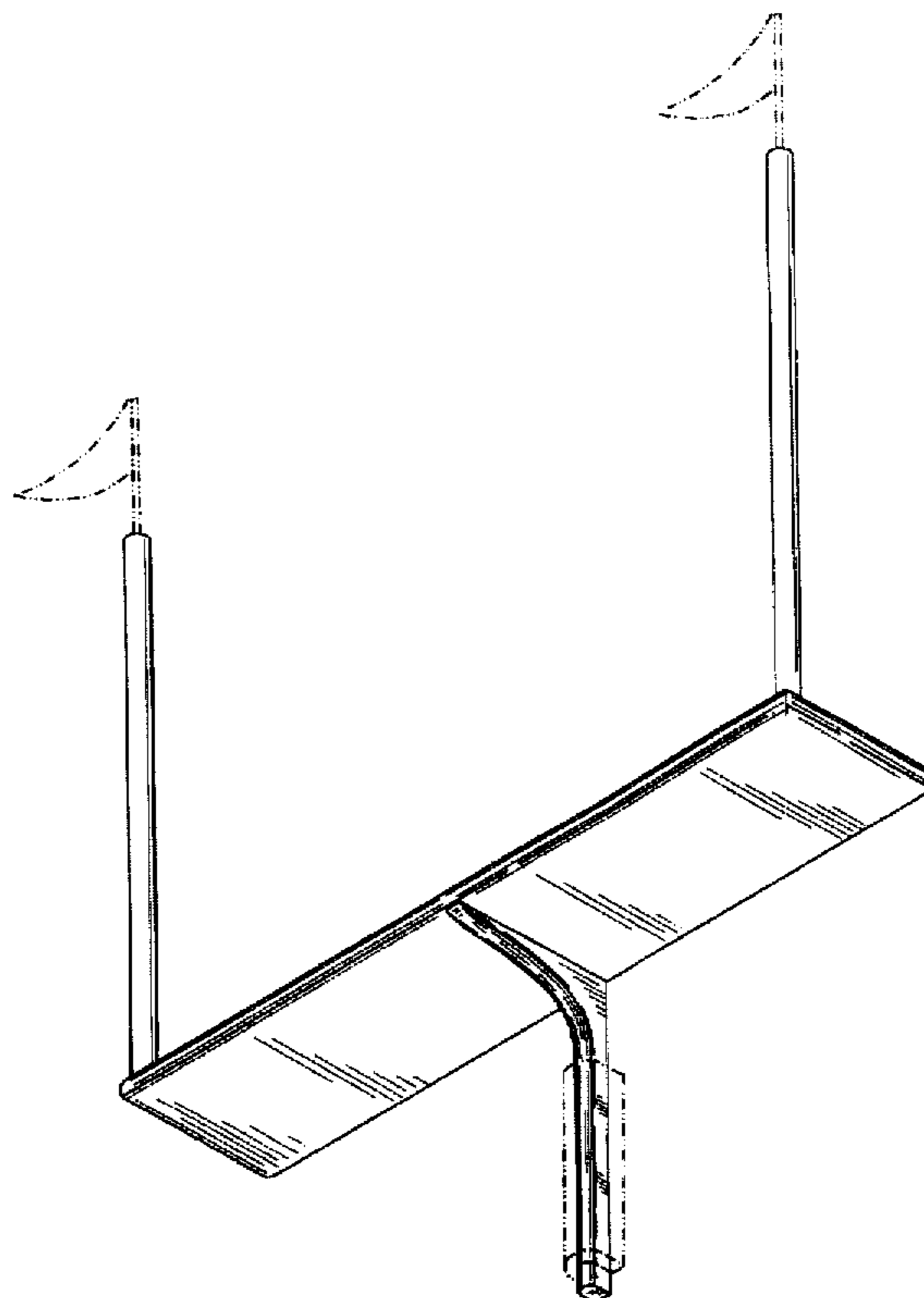
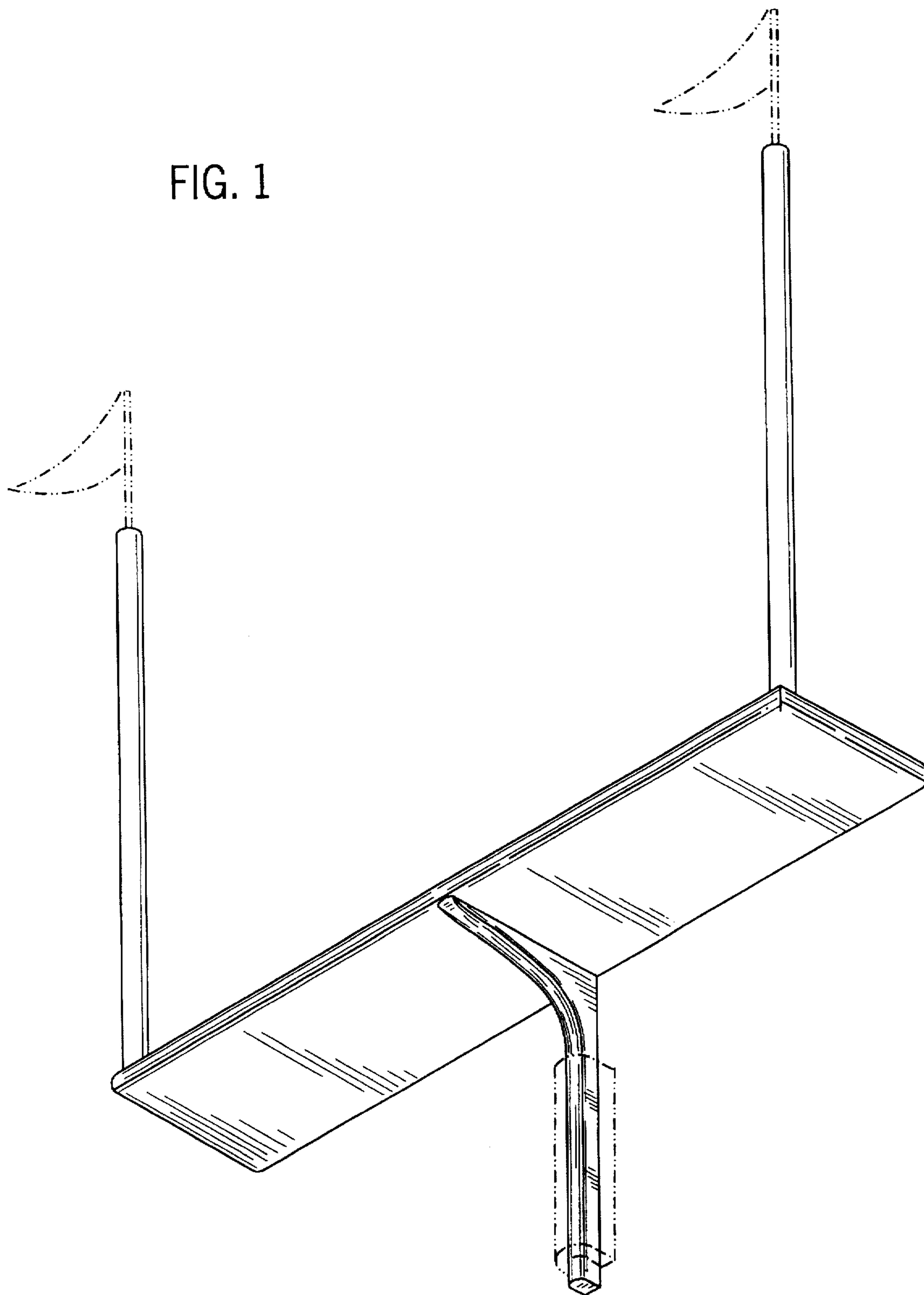


FIG. 1



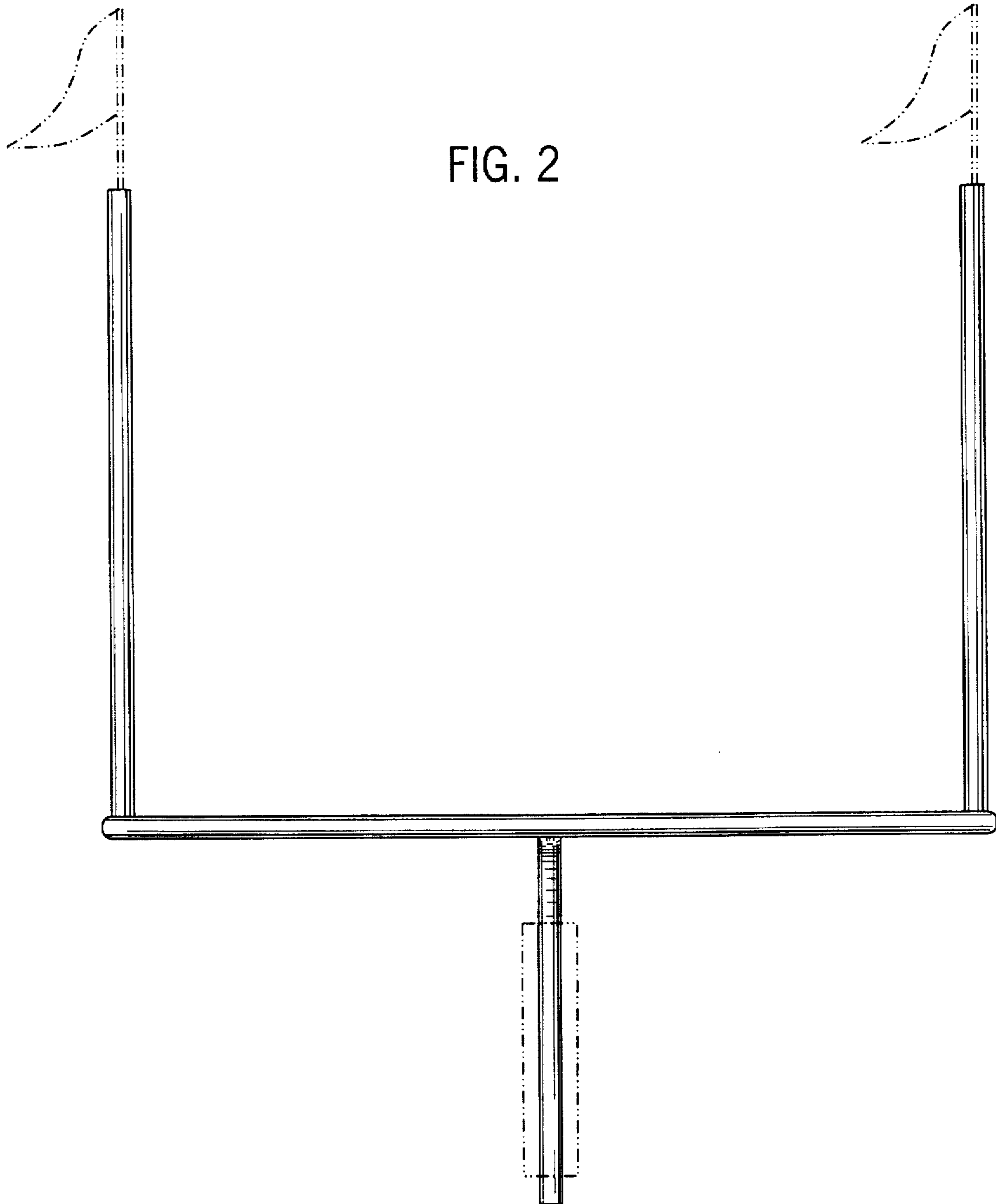


FIG. 2

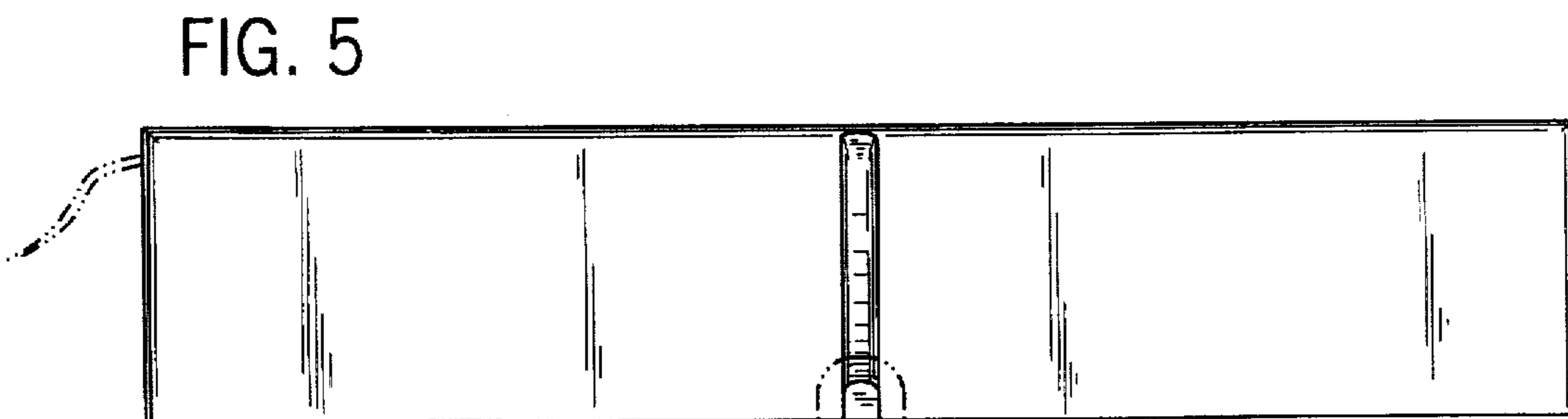


FIG. 5

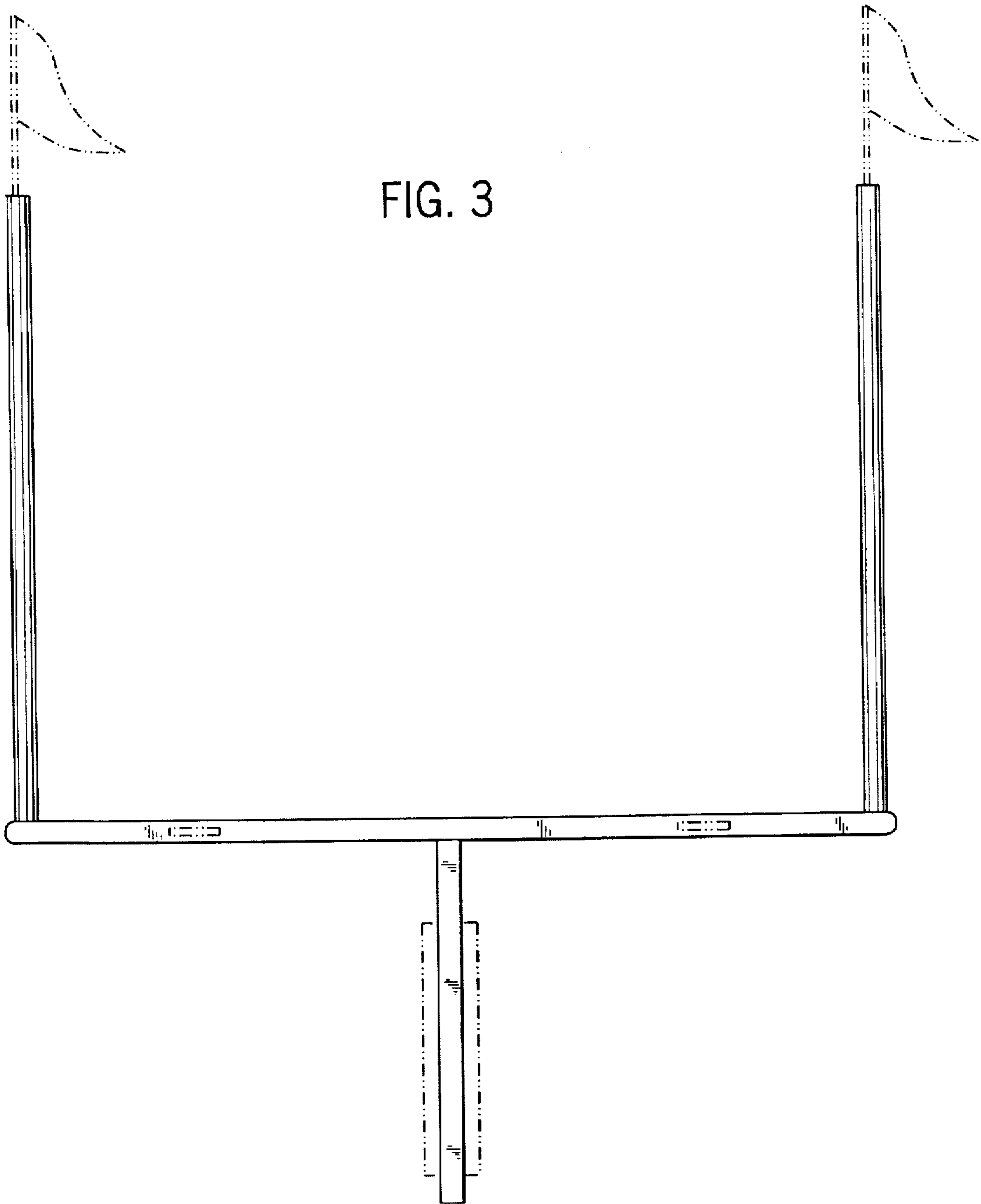


FIG. 4

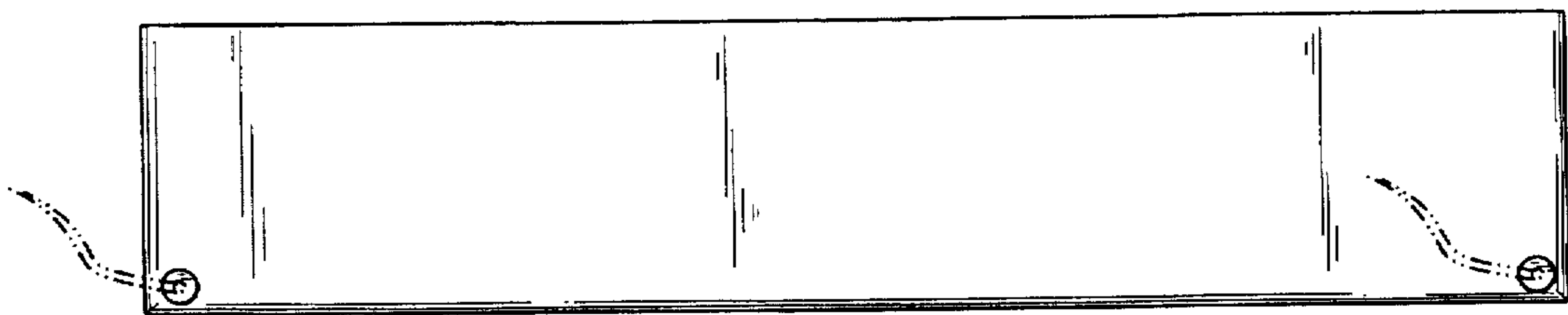


FIG. 6

