



US00D392827S

United States Patent [19]
Yemini

[11] **Patent Number:** **Des. 392,827**
[45] **Date of Patent:** ****Mar. 31, 1998**

[54] **TOOL RACK**

[75] **Inventor:** **Zvi Yemini, Tel Aviv, Israel**
[73] **Assignee:** **Zag Ltd., Rosh Haayin, Israel**
[**] **Term:** **14 Years**

[21] **Appl. No.:** **63,202**
[22] **Filed:** **Dec. 2, 1996**

[51] **LOC (6) Cl.** **06-04**
[52] **U.S. Cl.** **D6/574**
[58] **Field of Search** **D6/567, 574, 552,**
D6/553, 569, 570-573; D8/354, 373; 211/60.1,
69, 70.6, 70.7, 86, 87, 89, 126, 134, 70.5,
13; 248/309

[56] **References Cited**
U.S. PATENT DOCUMENTS

D. 309,687 8/1990 Embree et al. D6/567
D. 340,827 11/1993 Hubbard D6/567

D. 341,047 11/1993 Sanchez D6/524
2,172,172 9/1939 Mount 211/13 X
4,411,868 10/1983 Noack 211/60.1 X
4,966,288 10/1990 Kirkham 211/60.1
5,485,931 1/1996 Barr, Jr. 211/60.1 X

Primary Examiner—Pamela J. Burgess
Attorney, Agent, or Firm—Mark M. Friedman

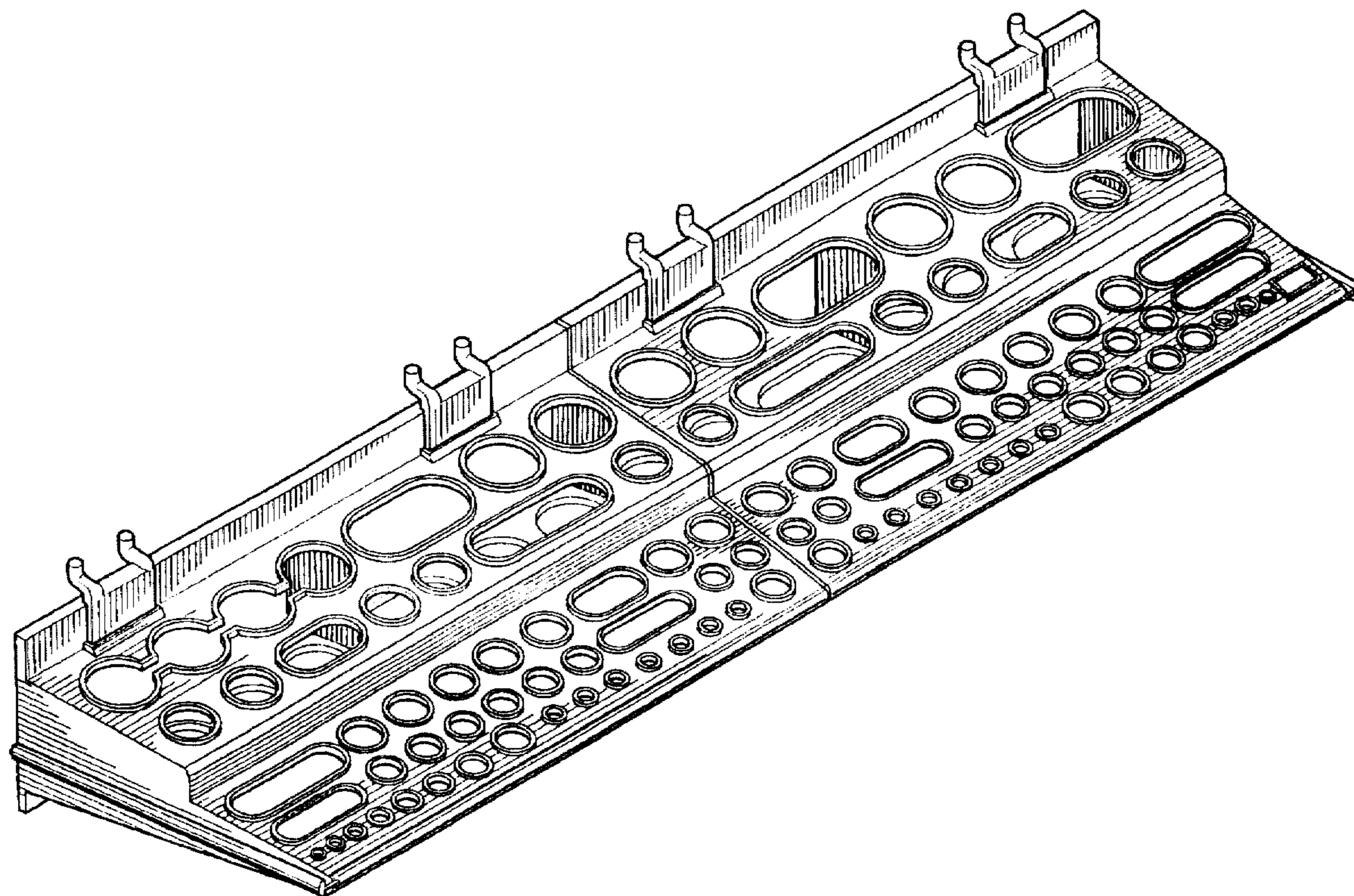
[57] **CLAIM**

The ornamental design for a tool rack, as shown.

DESCRIPTION

FIG. 1 is a perspective view showing the tool rack;
FIG. 2 is a top view of the tool rack;
FIG. 3 is a bottom view of the tool rack;
FIG. 4 is a front view of the tool rack;
FIG. 5 is a rear view of the tool rack;
FIG. 6 is a right side view of the tool rack; and,
FIG. 7 is a left side view of the tool rack.

1 Claim, 6 Drawing Sheets



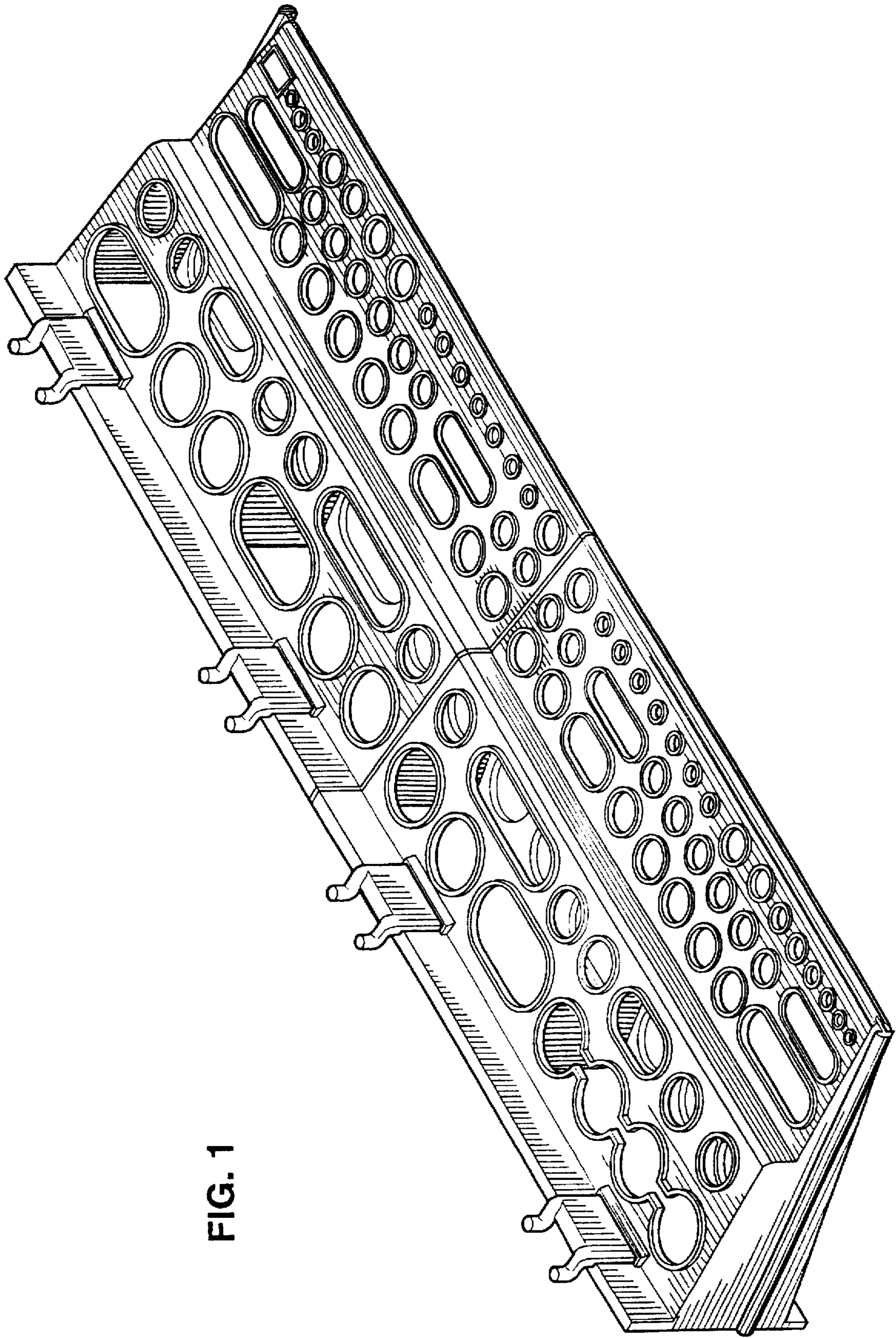


FIG. 1

FIG. 2

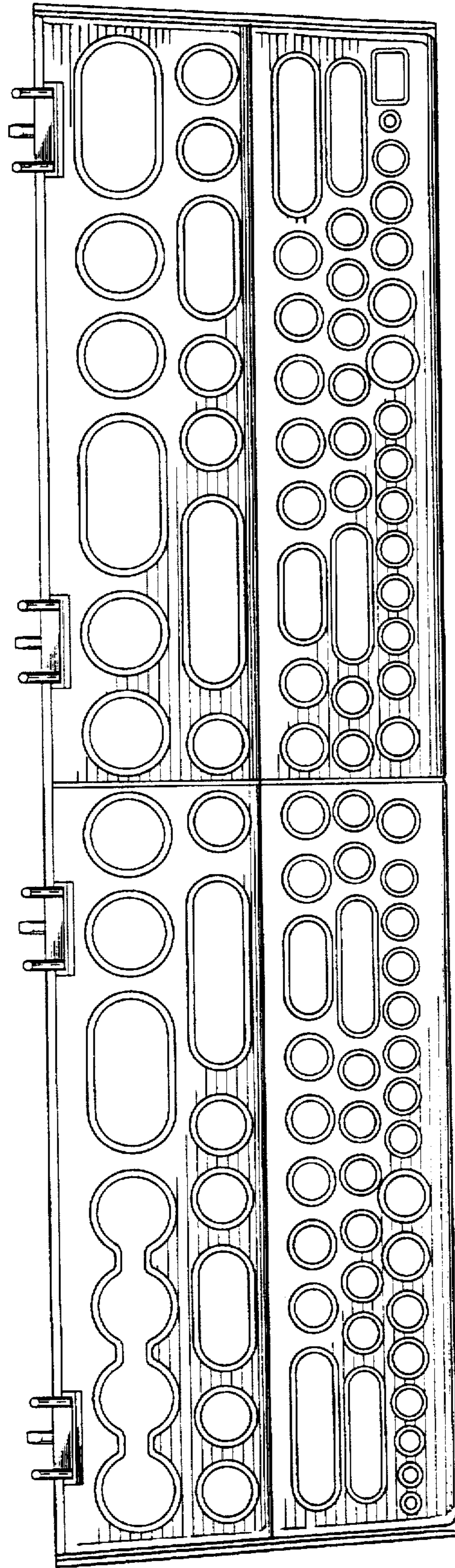


FIG. 3

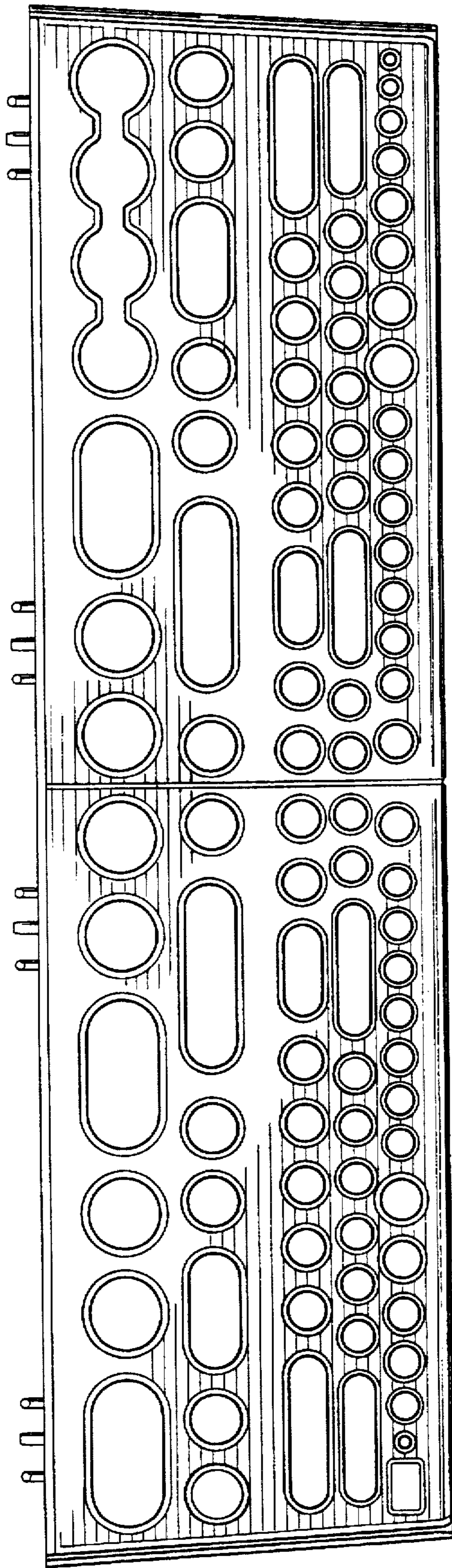


FIG. 4

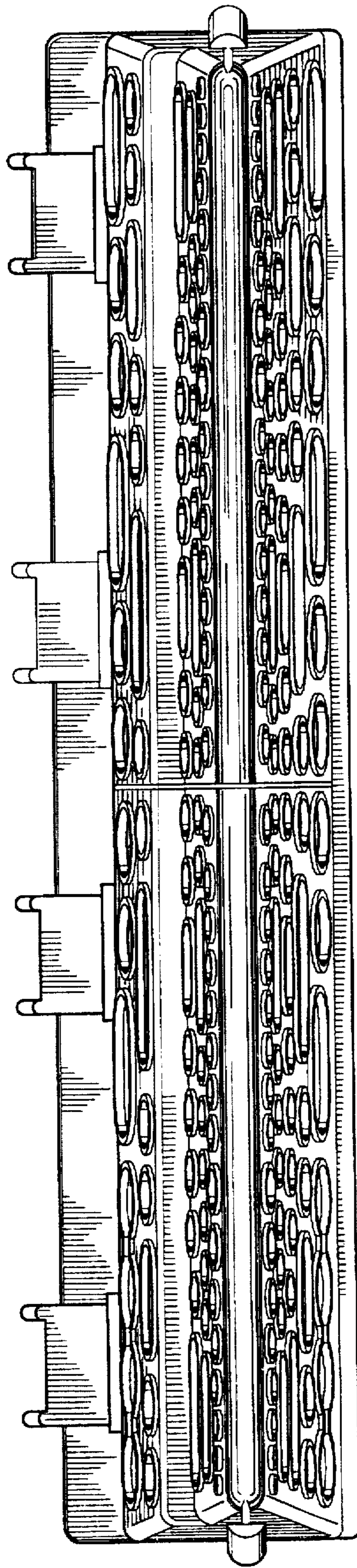


FIG. 5

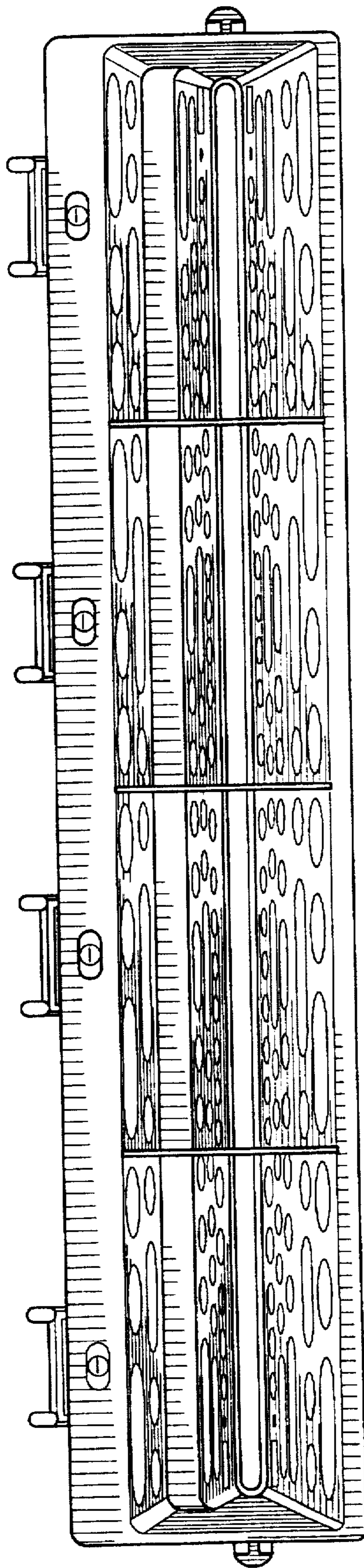


FIG. 6

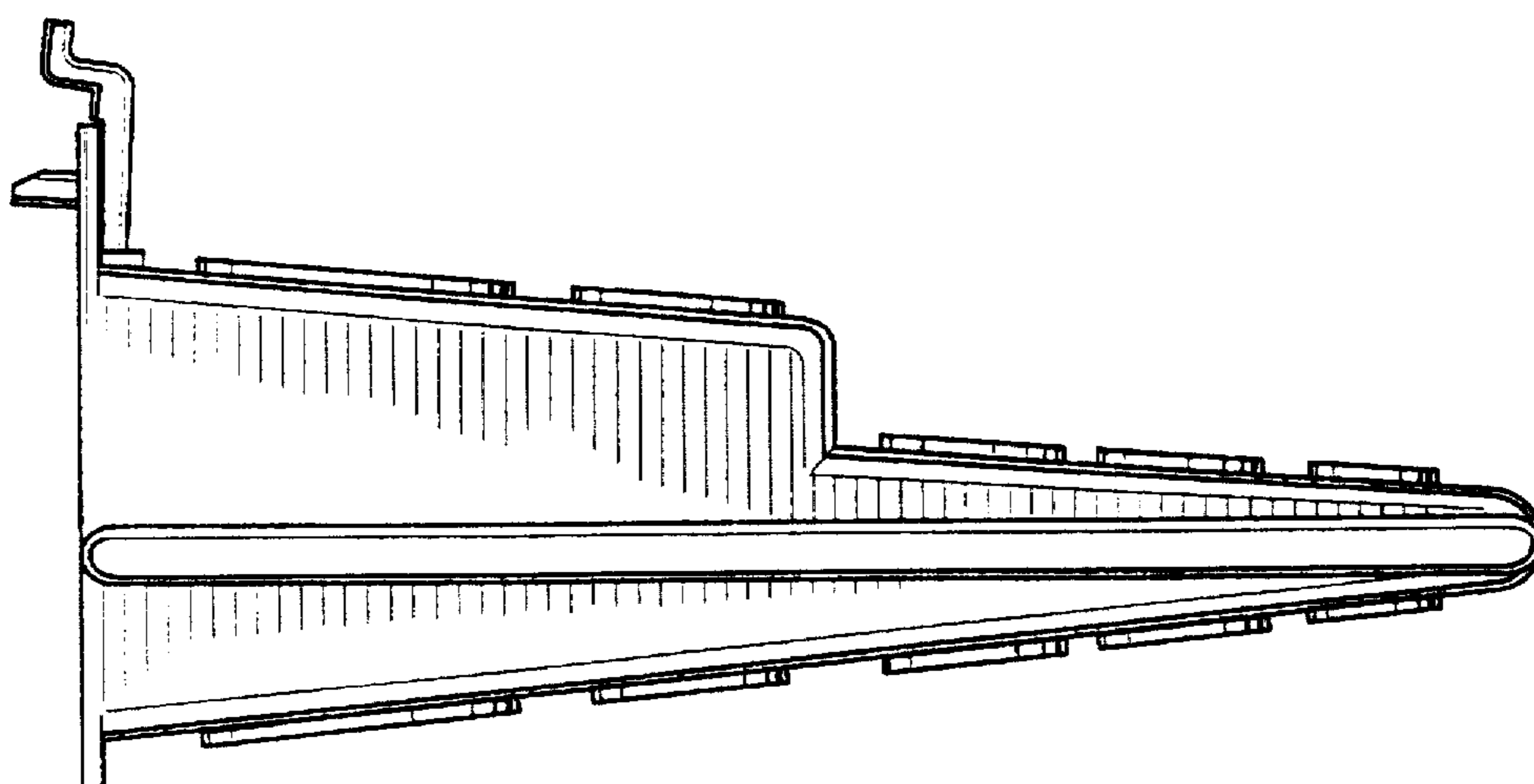
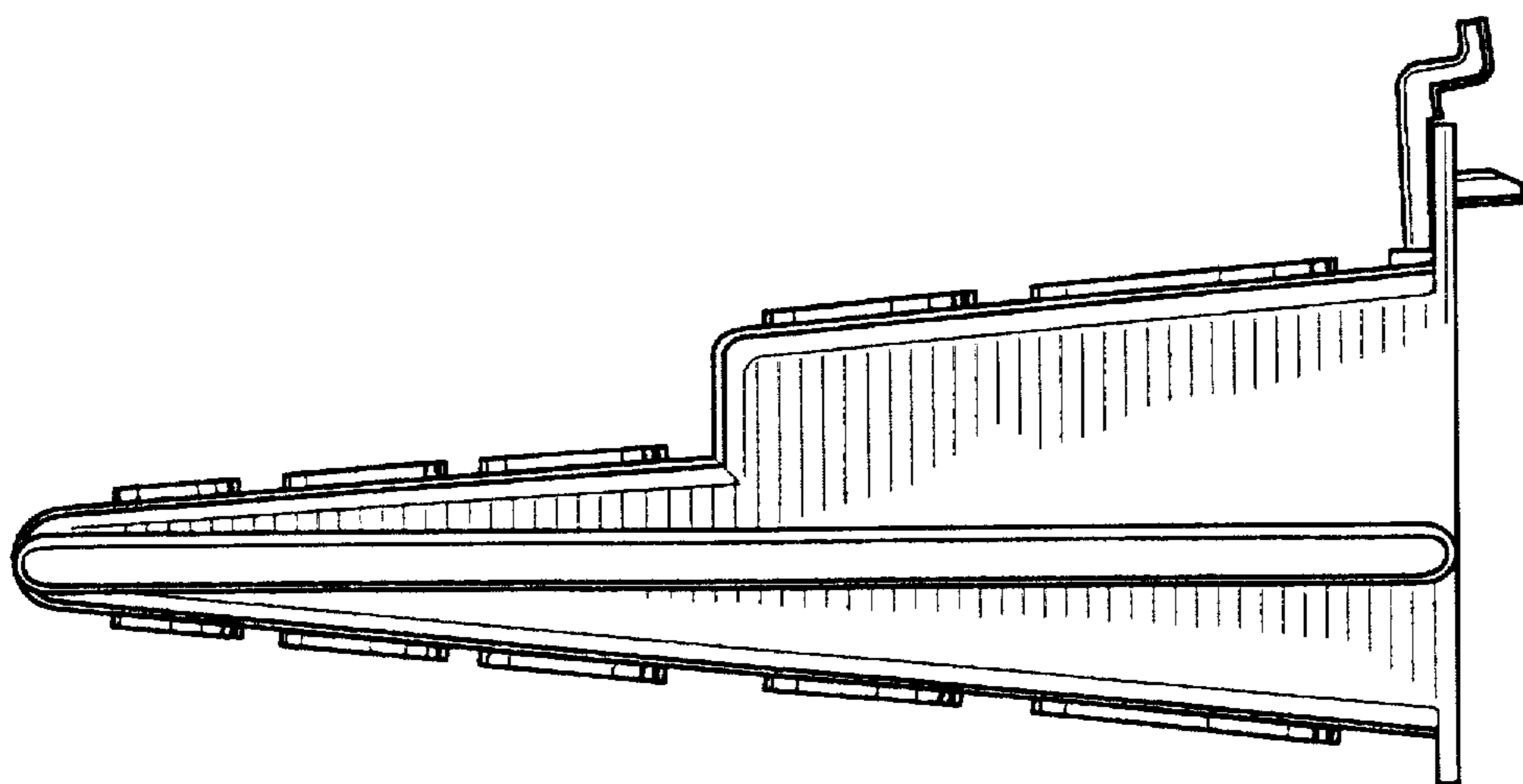


FIG. 7