



US00D392824S

United States Patent [19]
Cunningham

[11] **Patent Number: Des. 392,824**
[45] **Date of Patent: **Mar. 31, 1998**

[54] **COMBINED SELF-SERVICE BEVERAGE
CONTAINER AND LID DISPENSER**

D. 371,478 7/1996 Yates D6/515
D. 378,034 2/1997 Buckley D6/515
4,454,948 6/1984 Spamer 211/59.2
5,279,430 1/1994 Benton 211/59.24

[76] **Inventor: William B. Cunningham, P.O. Box
25463, Oklahoma City, Okla. 73125**

Primary Examiner—Pamela J. Burgess
Attorney, Agent, or Firm—Robert K. Rhea

[**] **Term: 14 Years**

[57] **CLAIM**

[21] **Appl. No.: 66,297**

The ornamental design for a combined self-service beverage container and lid dispenser, as shown and described.

[22] **Filed: Feb. 10, 1997**

[51] **LOC (6) Cl. 06-04**

[52] **U.S. Cl. D6/515**

[58] **Field of Search** D6/515, 512, 513,
D6/514, 553, 518-523; 242/550, 557; D20/10,
40, 42, 99; 202/590, 594, 594.3; 206/315.1,
315.7, 389, 391, 394; 211/13.1, 34, 35,
151, 59.2, 187, 153, 26

DESCRIPTION

FIG. 1 is a reduced scale perspective view of a combined self-service beverage container and lid dispenser showing my new design;
FIG. 2 is a top view thereof;
FIG. 3 is a right side elevational view thereof;
FIG. 4 is a left side elevational view thereof;
FIG. 5 is a front elevational view thereof;
FIG. 6 is a rear elevational view thereof; and,
FIG. 7 is a bottom view thereof.

[56] **References Cited**

U.S. PATENT DOCUMENTS

D. 245,653 9/1977 Kent et al. D6/515
D. 328,213 7/1992 Mancuso D6/515

1 Claim, 5 Drawing Sheets

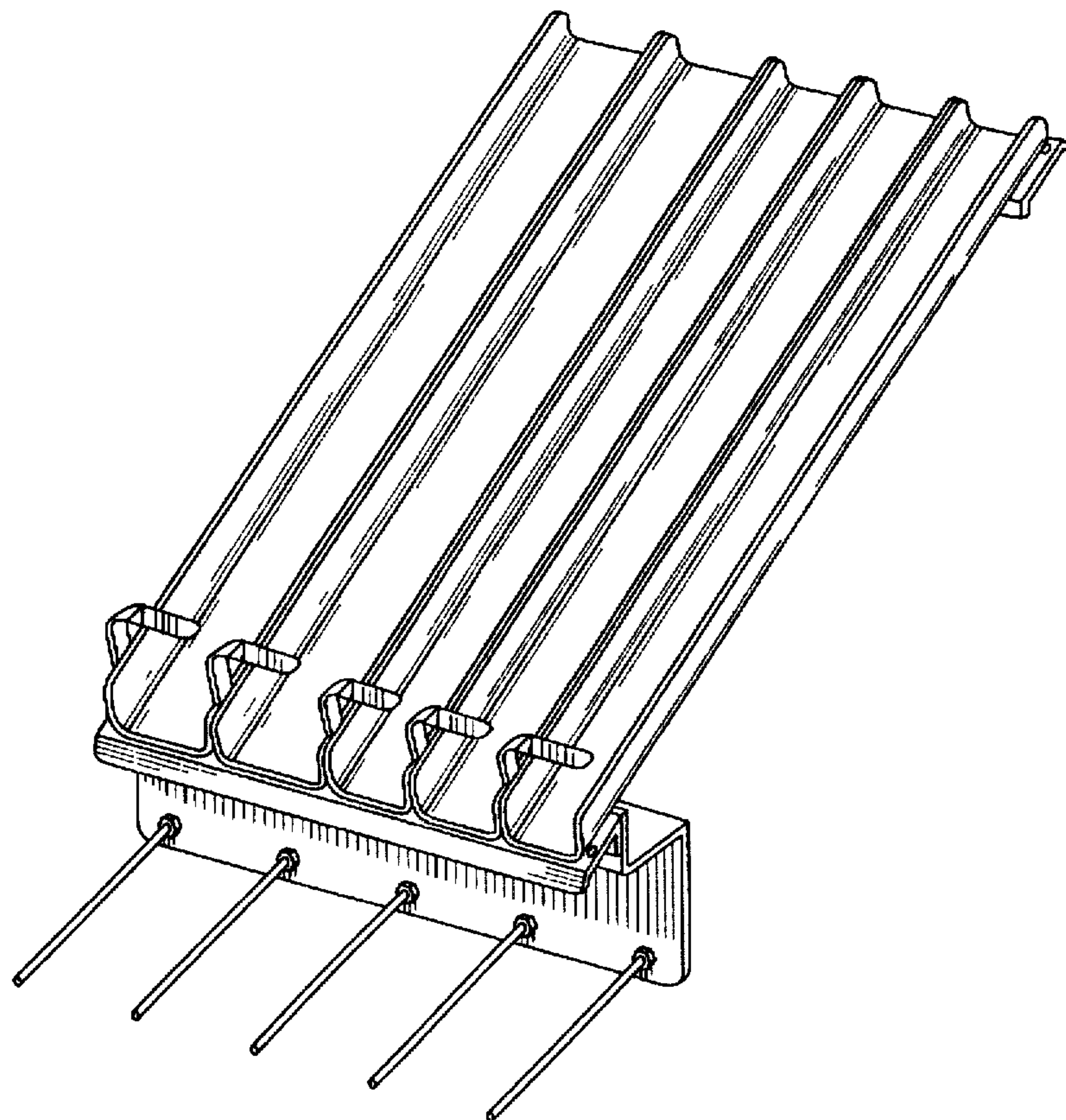


FIG. 1

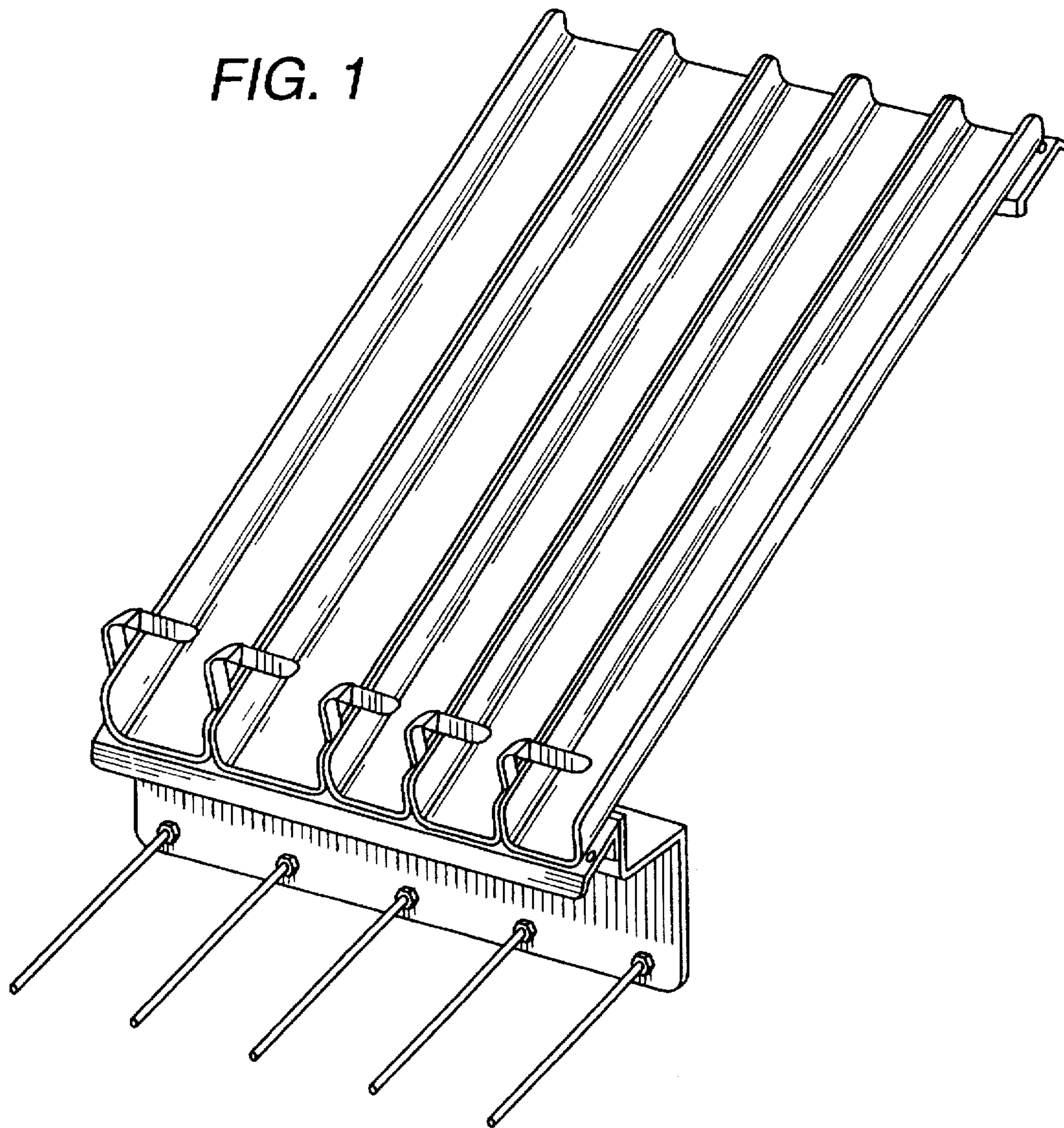
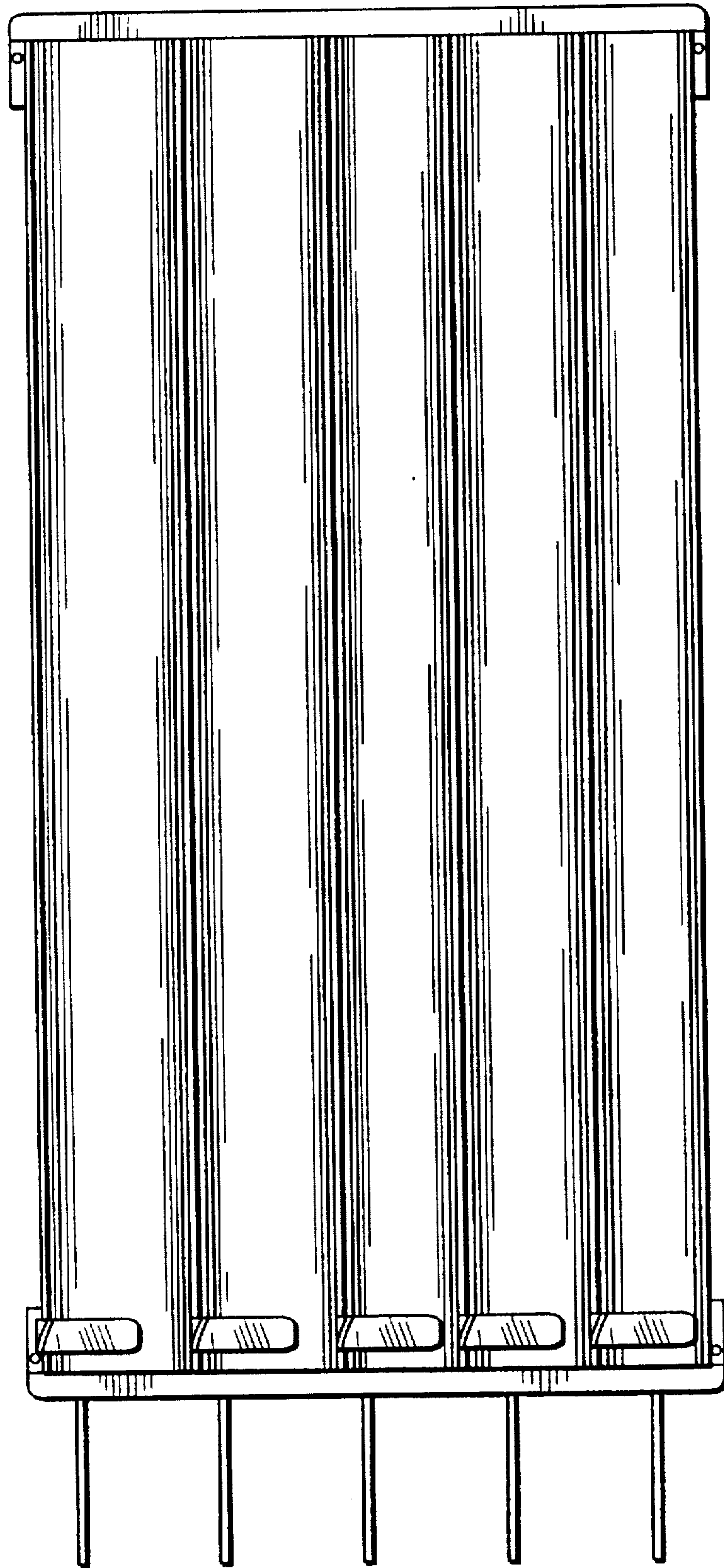


FIG. 2



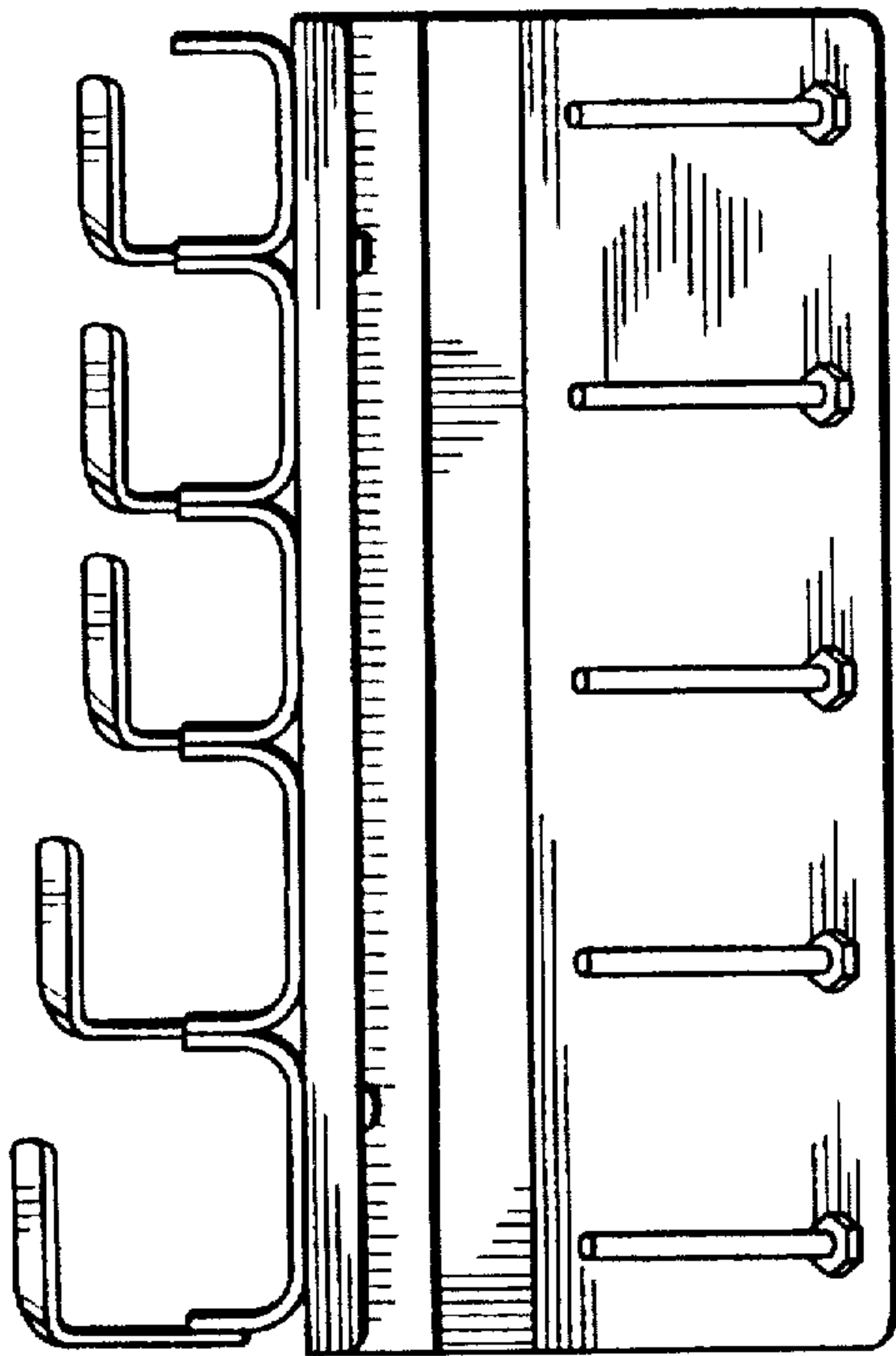


FIG. 5

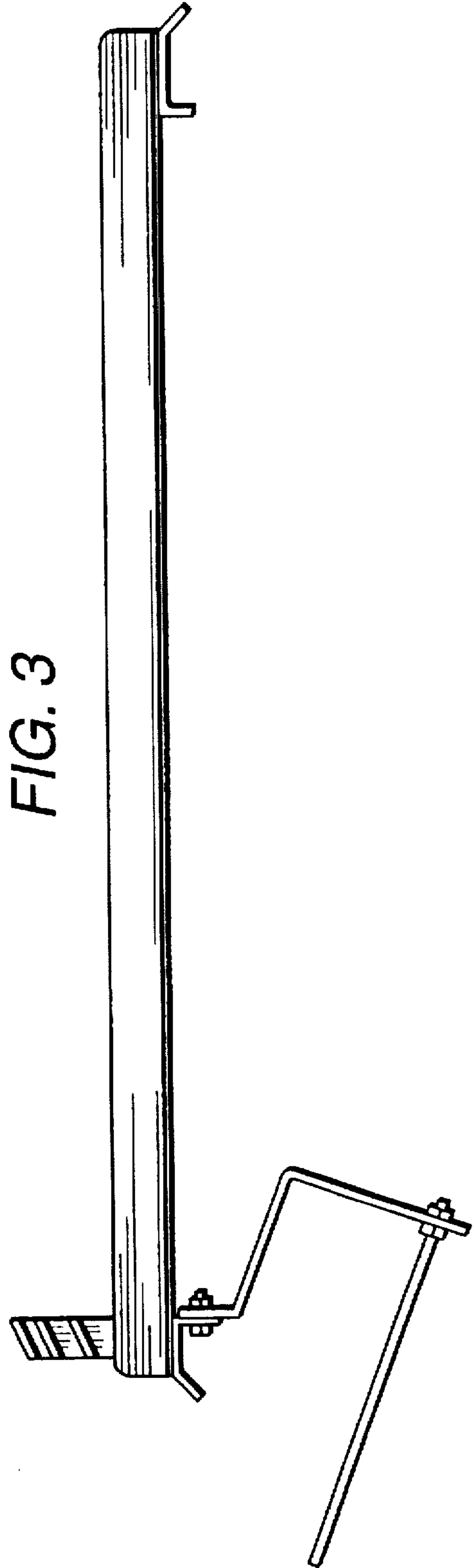


FIG. 3

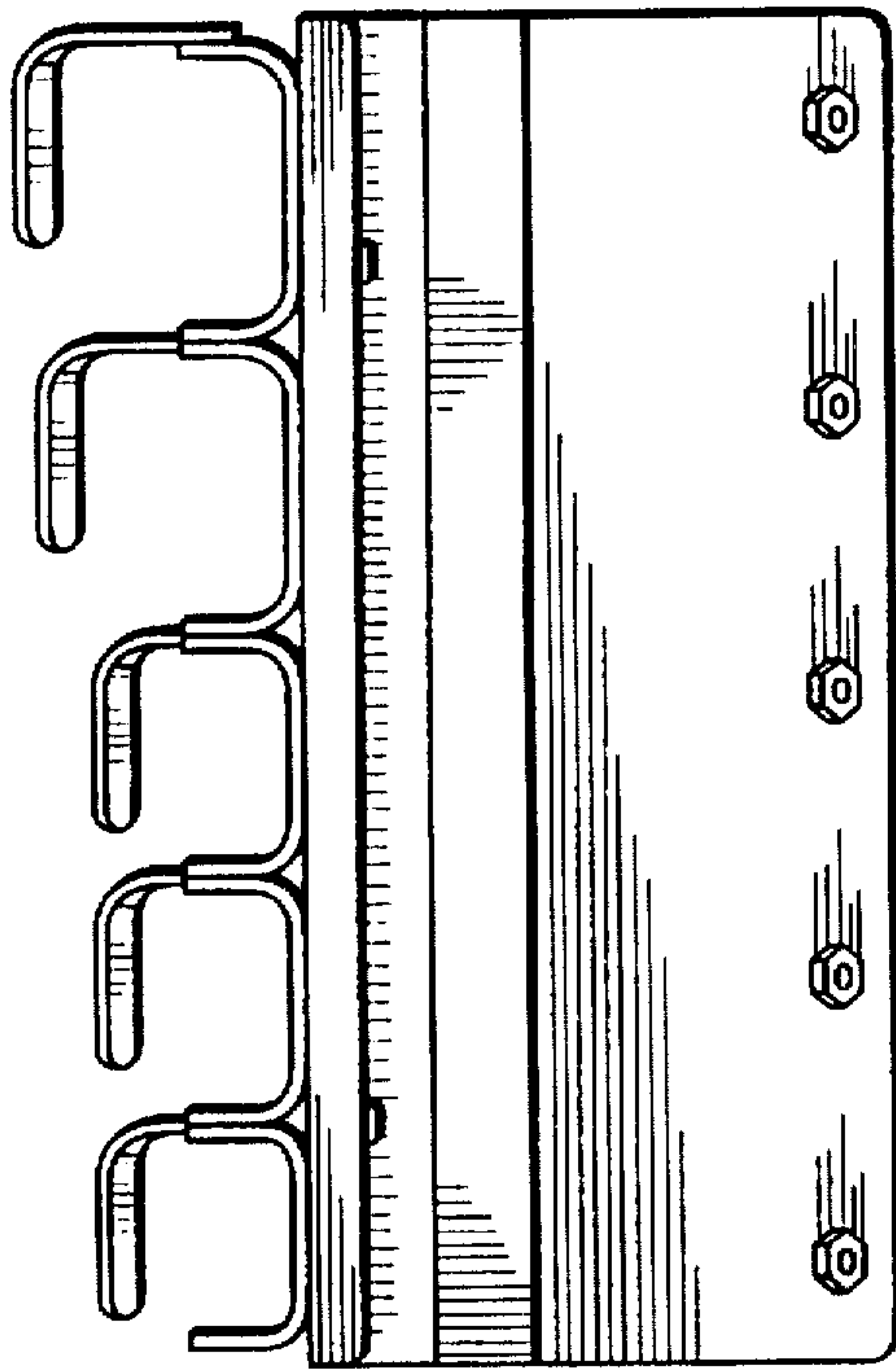


FIG. 6

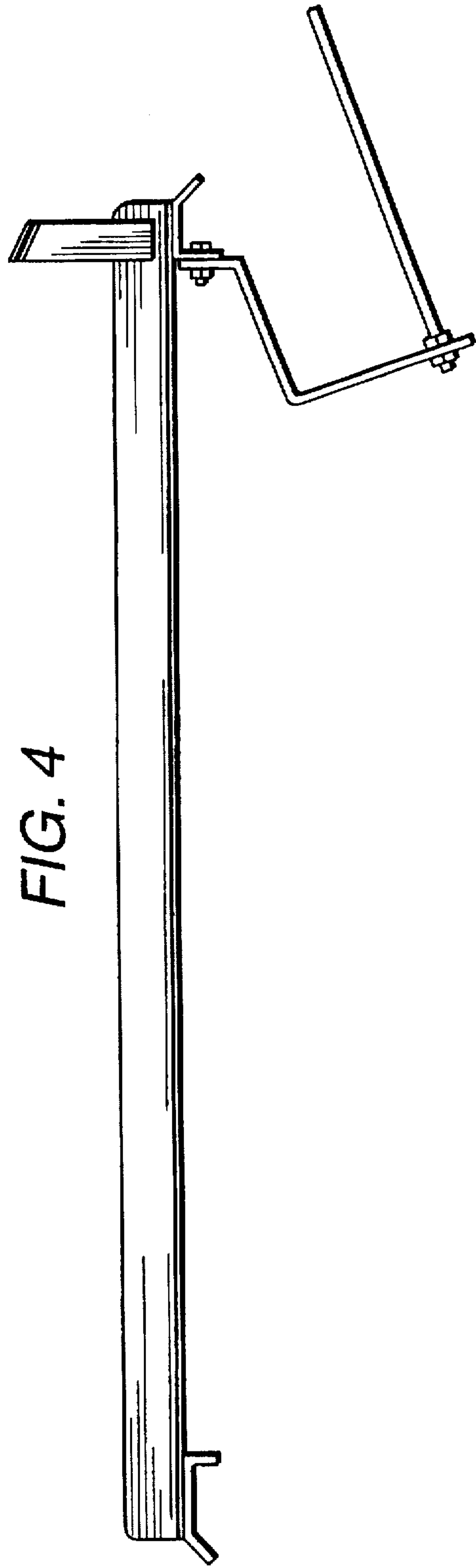


FIG. 4

FIG. 7

