



US00D392822S

**United States Patent** [19]  
**Gilmore**

[11] **Patent Number:** **Des. 392,822**  
[45] **Date of Patent:** **\*\*Mar. 31, 1998**

- [54] **HOLDER FOR STEMWARE AND OTHER TYPES OF RECEPTACLES**
- [76] **Inventor:** **Benjamin E. Gilmore**, 638 6th St., Hermosa Beach, Calif. 90254
- [\*\*] **Term:** **14 Years**
- [21] **Appl. No.:** **58,522**
- [22] **Filed:** **Aug. 16, 1996**
- [51] **LOC (6) Cl.** ..... **06-04**
- [52] **U.S. Cl.** ..... **D6/513; D25/119; D8/377**
- [58] **Field of Search** ..... **D6/513, 566, 514, D6/512, 553, 569; D7/701-708; 211/86, 87, 113, 71.1, 74; 248/205.1, 214, 251, 317, 318, 312.1, 313; D25/119-125; D8/377, 380**

- 4,592,527 6/1986 Karapita ..... 211/113 X
- 4,718,627 1/1988 Fast et al. .... 211/113 X
- 4,905,949 3/1990 Cargrove ..... 211/74 X
- 5,467,949 11/1995 Lamke ..... D6/513 X

*Primary Examiner*—Pamela J. Burgess  
*Attorney, Agent, or Firm*—Burns, Doane, Swecker & Mathis, LLP

[57] **CLAIM**

The ornamental design for a holder for stemware and other types of receptacles, as shown and described.

**DESCRIPTION**

FIG. 1 is a bottom perspective view of the holder for stemware and other types of receptacles having the new design;

FIG. 2 is a bottom plan view of the holder for stemware and other type of receptacles;

FIG. 3 is a front elevational view of the holder for stemware and other types of receptacles, the rear elevational view being the same;

FIG. 4 is an end view of the holder for stemware and other types of receptacles, the view from the opposite end being the same; and,

FIG. 5 is a top plan view of the holder for stemware and other types of receptacles.

**1 Claim, 3 Drawing Sheets**

[56] **References Cited**

**U.S. PATENT DOCUMENTS**

- D. 267,914 2/1983 Lin ..... D6/513
- D. 307,990 5/1990 Funk ..... D6/513
- D. 308,924 7/1990 Van Noord ..... D6/513
- D. 323,896 2/1992 Alcazar ..... D25/119 X
- D. 336,525 6/1993 Clemons ..... D6/513 X
- D. 346,032 4/1994 Colson ..... D25/18
- 2,805,453 9/1957 Petronello et al. .... D25/119

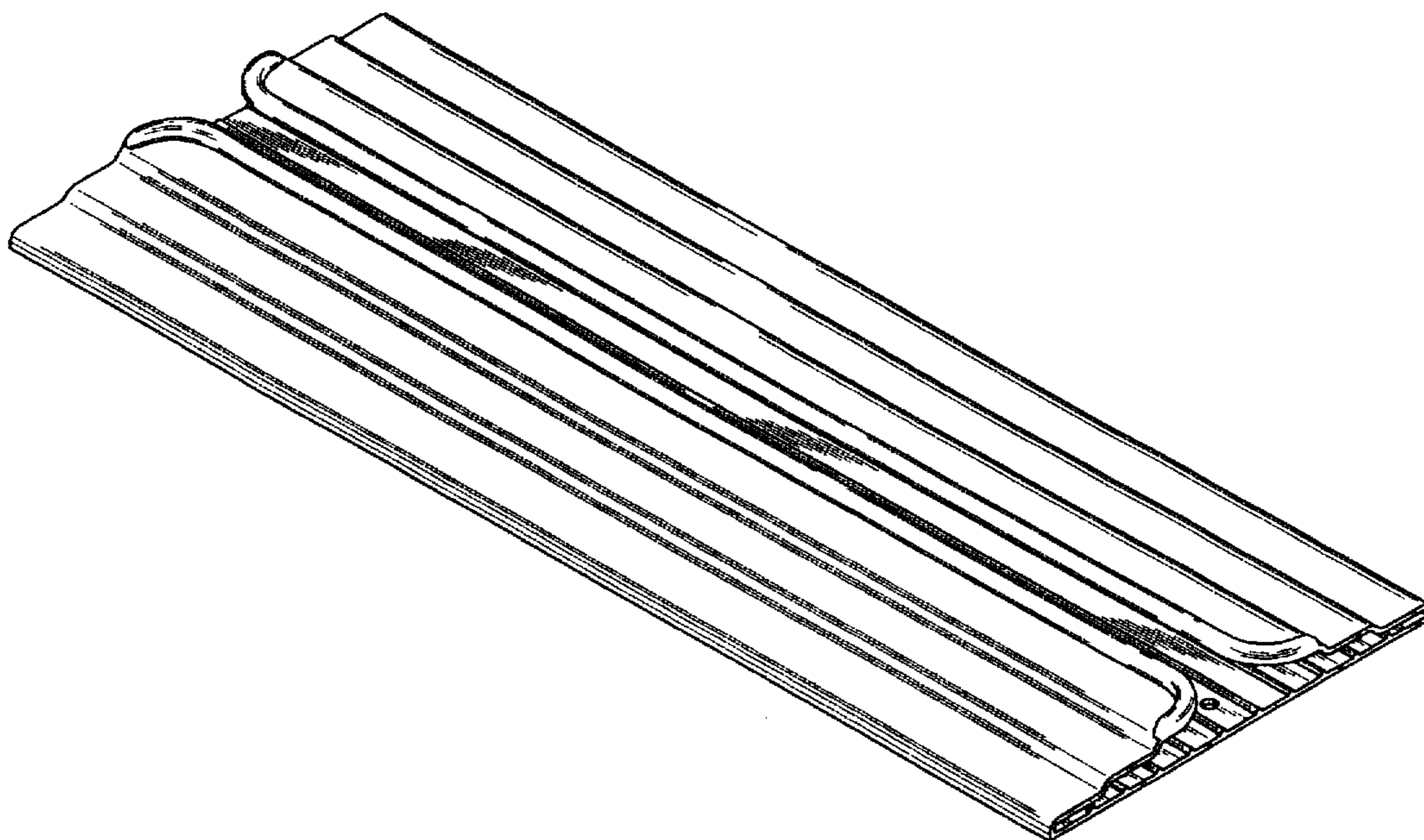


FIG. 1

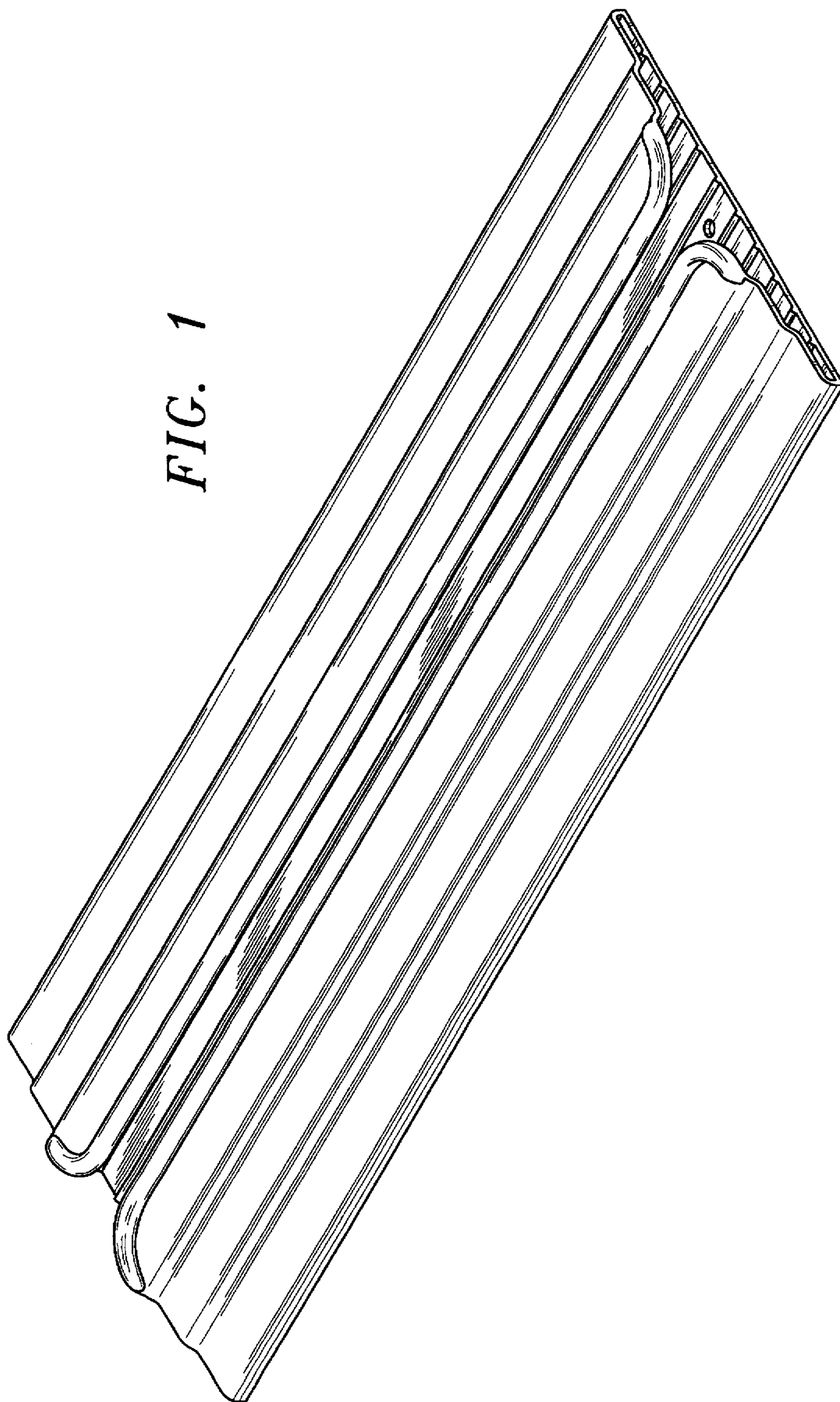


FIG. 4



FIG. 2

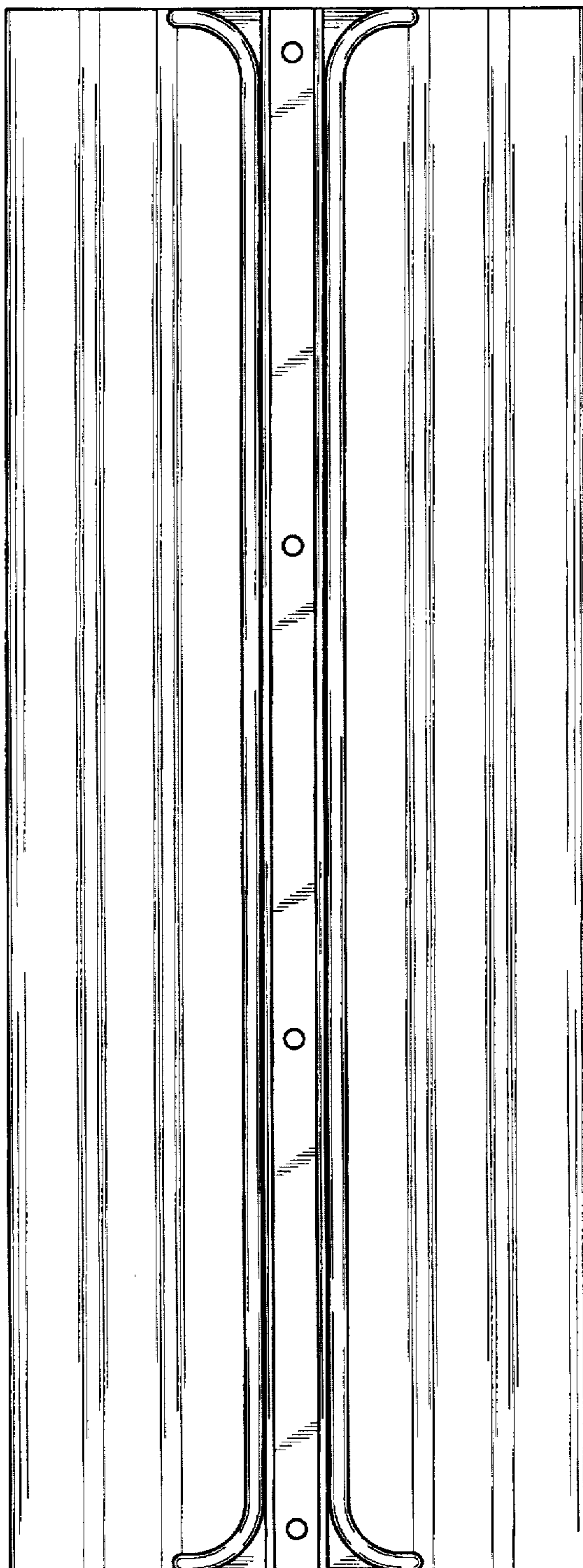


FIG. 3

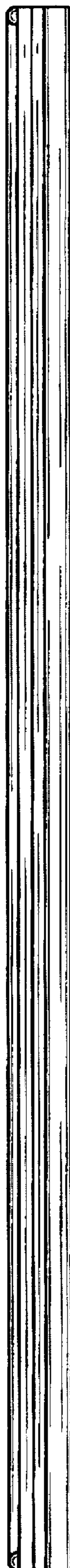


FIG. 5

