



US00D392821S

United States Patent [19]
Yurk

[11] **Patent Number: Des. 392,821**
[45] **Date of Patent: **Mar. 31, 1998**

[54] **BENCH SUPPORT BASE**

[75] **Inventor: Arno Roland Yurk, Kalamazoo, Mich.**

[73] **Assignee: Landscape Forms, Inc., Kalamazoo, Mich.**

[**] **Term: 14 Years**

[21] **Appl. No.: 61,334**

[22] **Filed: Oct. 22, 1996**

[51] **LOC (6) Cl. 06-06**

[52] **U.S. Cl. D6/500**

[58] **Field of Search D6/349, 352, 353, D6/351, 355; 297/423.1, 423.39, 423.41, 423.42, 423.43, 423.44, 423.45, 423.46**

[56] **References Cited**

PUBLICATIONS

Kroin, c1991, p. 5, park seat at top center.
Kroin, c1991, p.7, bench in center.
Sweets, 1993, 02870/GA, Buyline 1005, bench at top right.

Primary Examiner—Janice E. Seeger

Attorney, Agent, or Firm—Heslin & Rothenberg, P.C.

[57] **CLAIM**

The ornamental design for a bench support base, as shown and described.

DESCRIPTION

FIG. 1 is a front isometric view of a bench support base showing my new design;

FIG. 2 is a right side elevational view thereof;

FIG. 3 is a left side elevational view thereof;

FIG. 4 is a front elevational view thereof;

FIG. 5 is a back elevational view thereof;

FIG. 6 is a top plan view thereof;

FIG. 7 is a bottom view thereof; and,

FIG. 8 is a further isometric view of my new design.

The broken lines are for environmental purposes only and form no part of the claimed design.

1 Claim, 4 Drawing Sheets

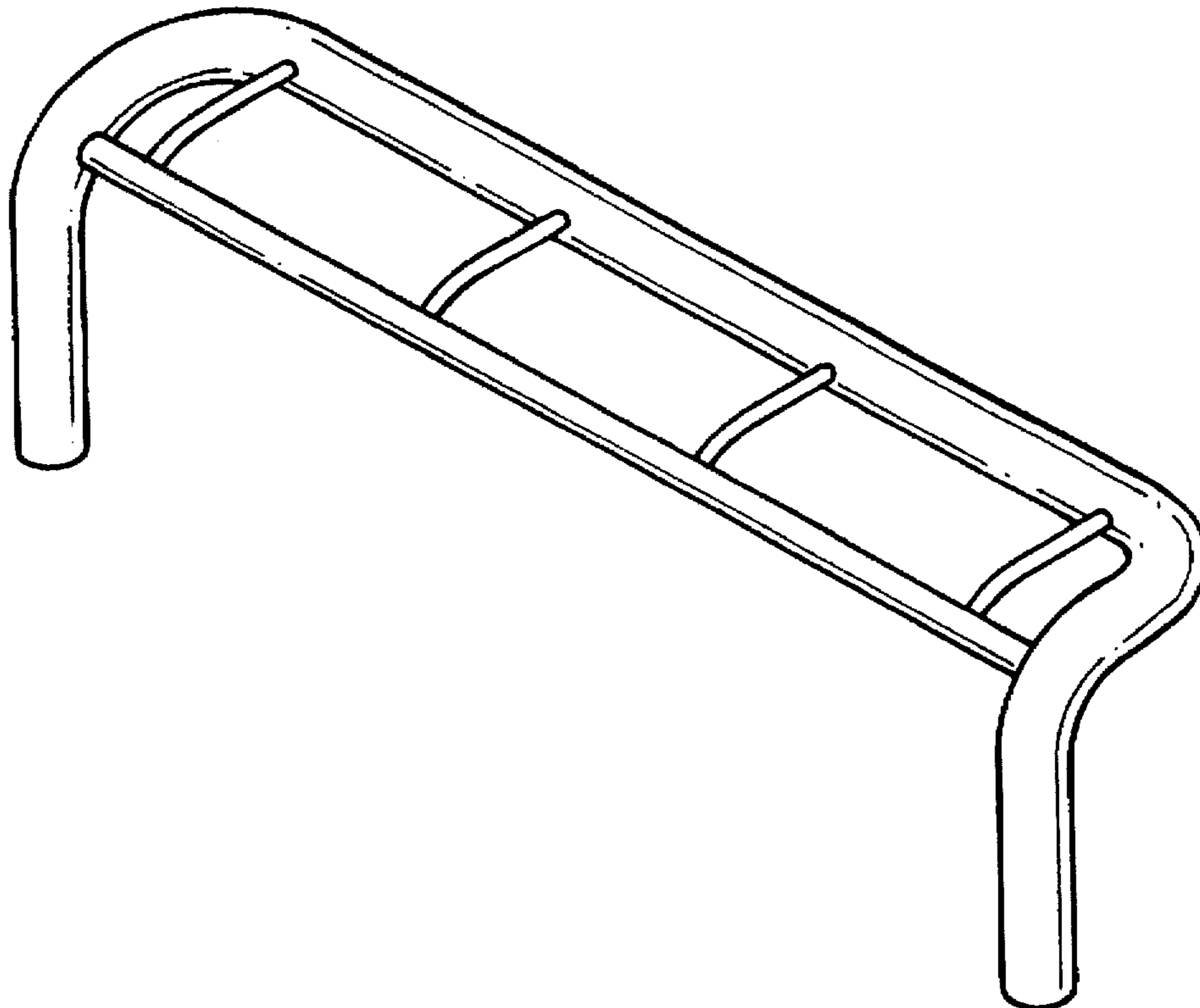


FIG. 1

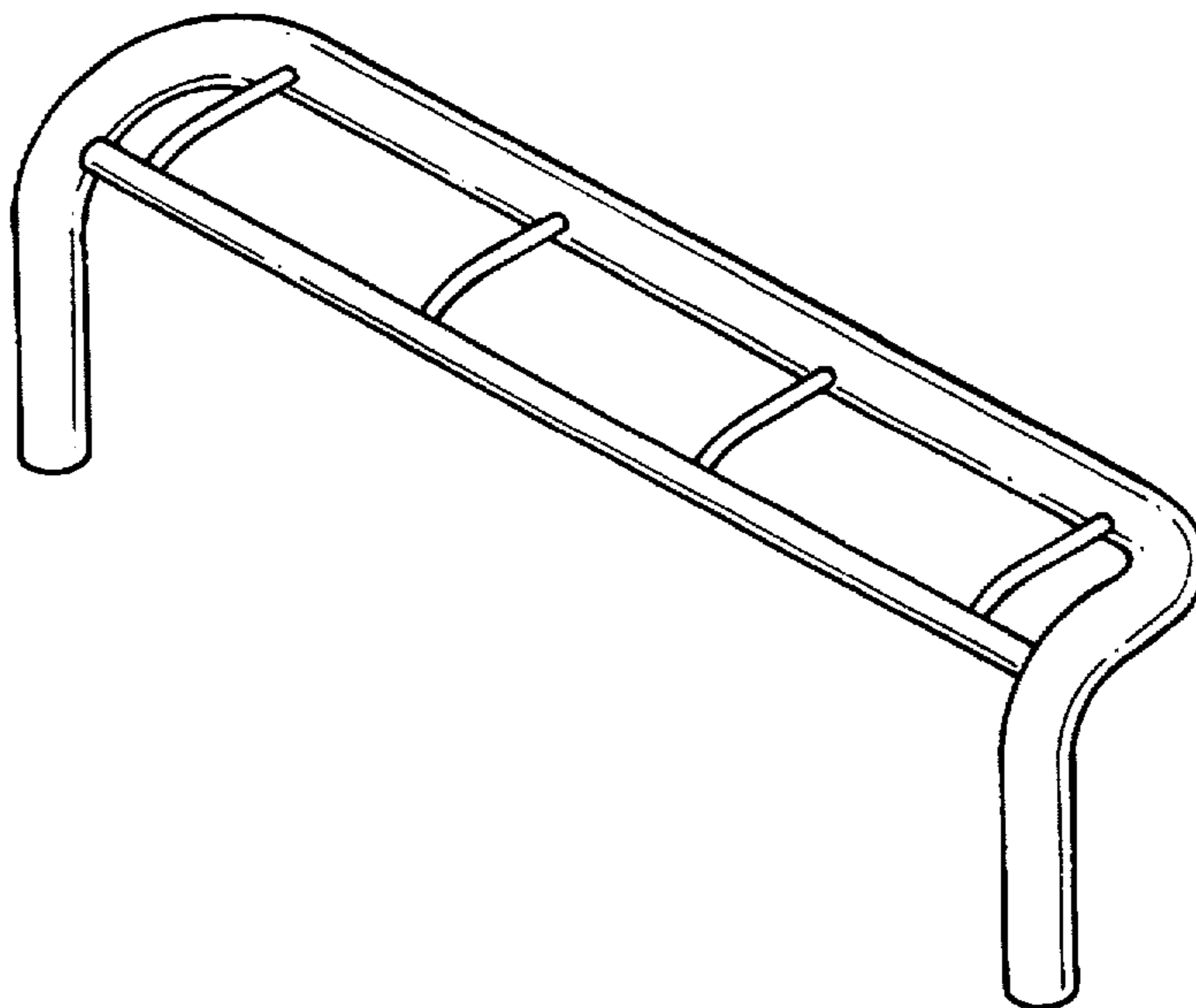


FIG. 8

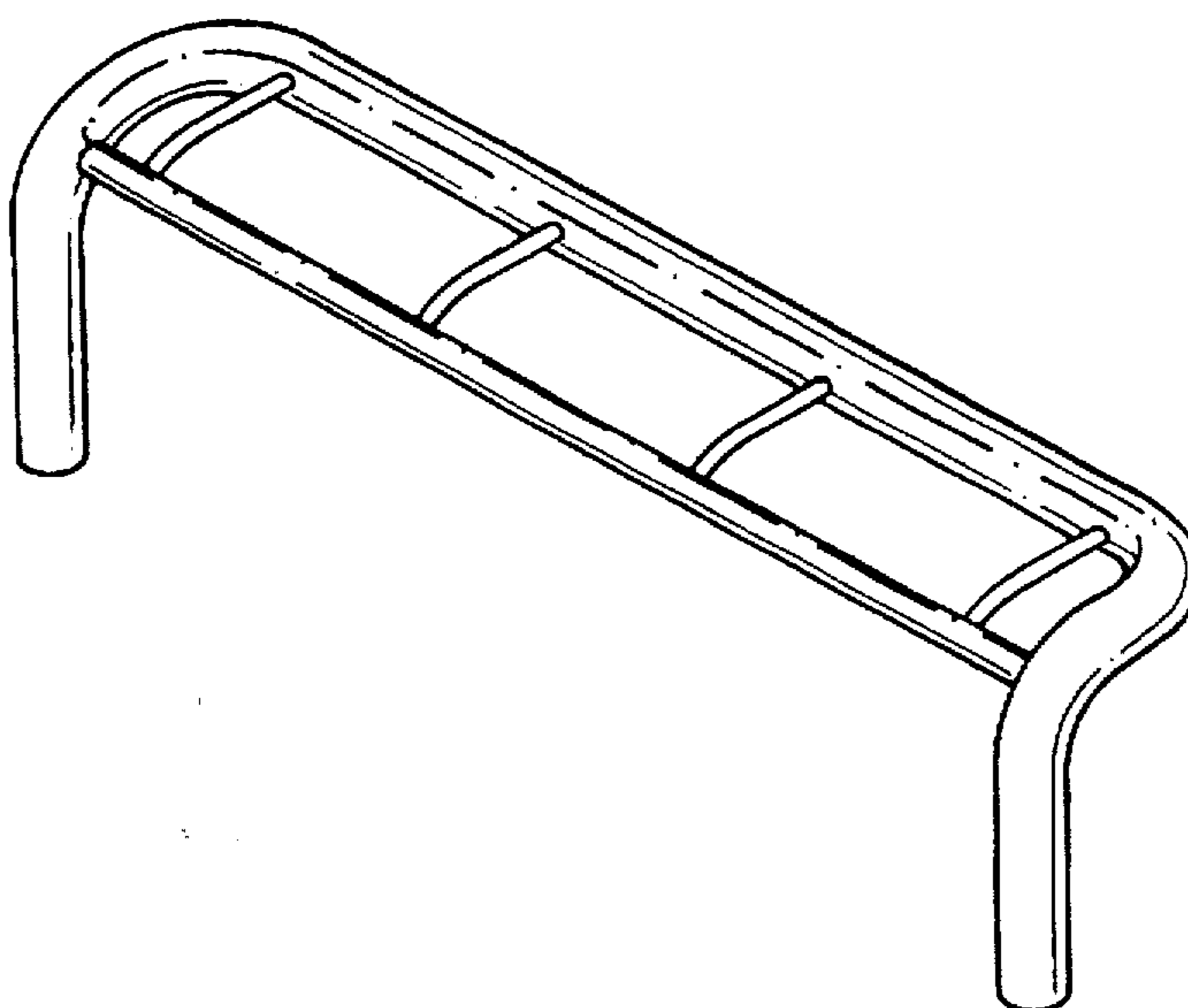


FIG. 2

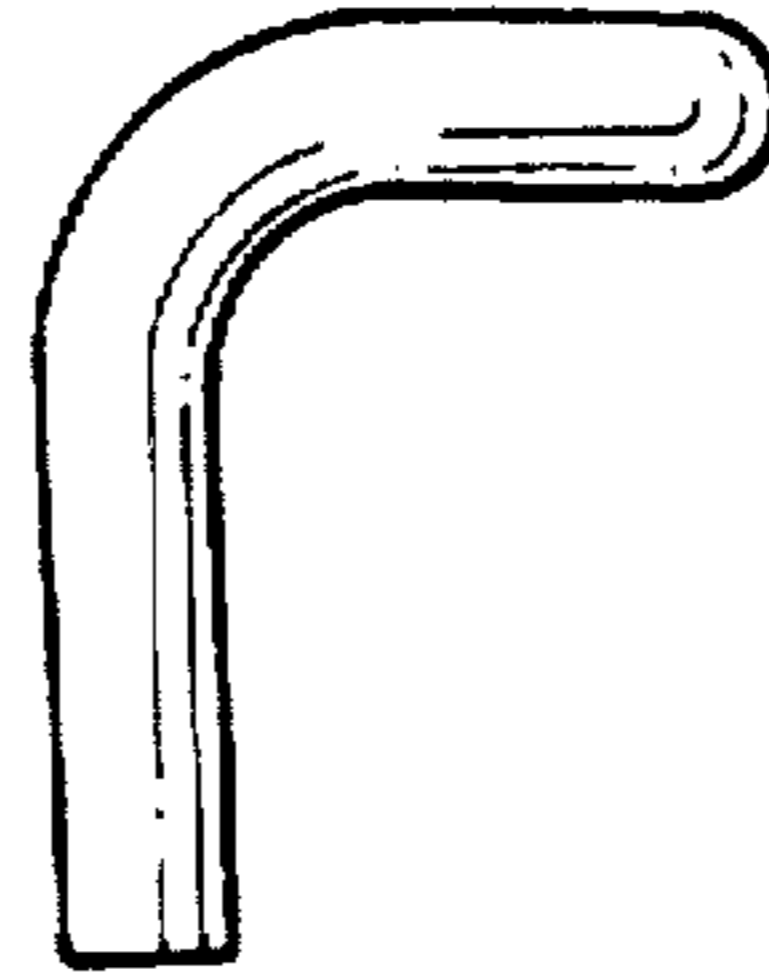


FIG. 3

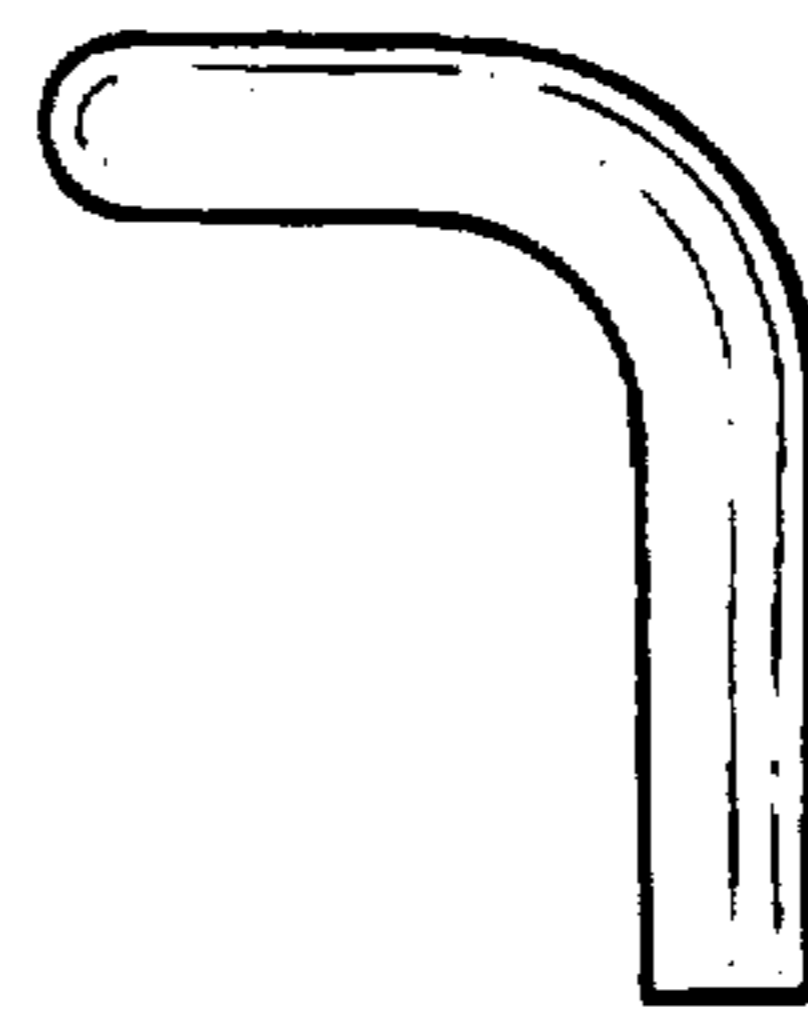


FIG. 4

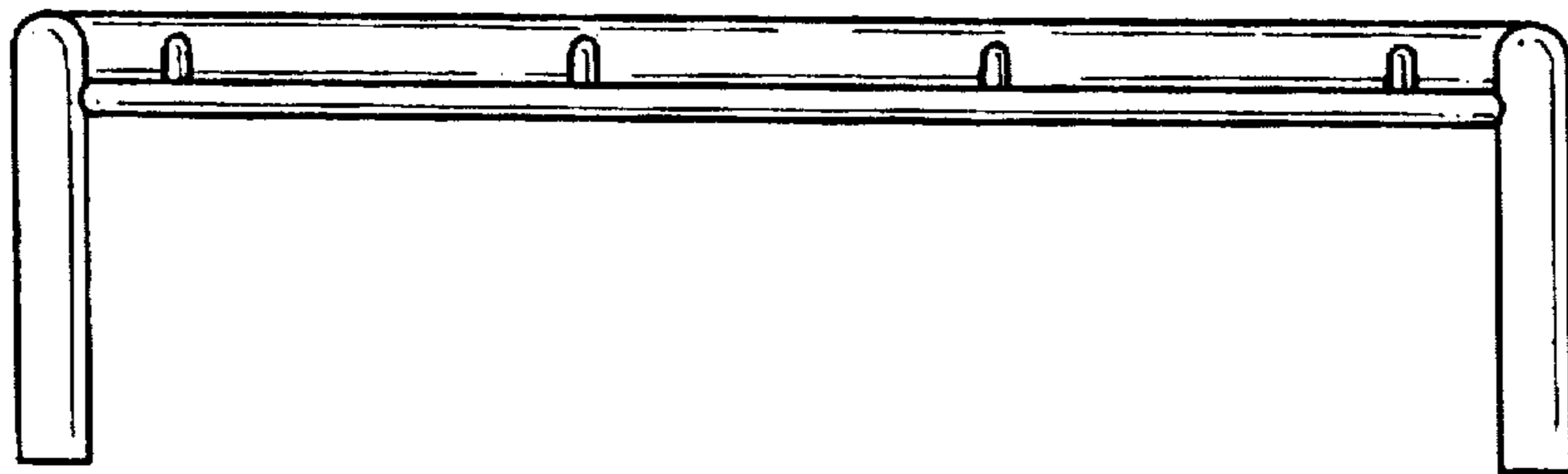


FIG. 5

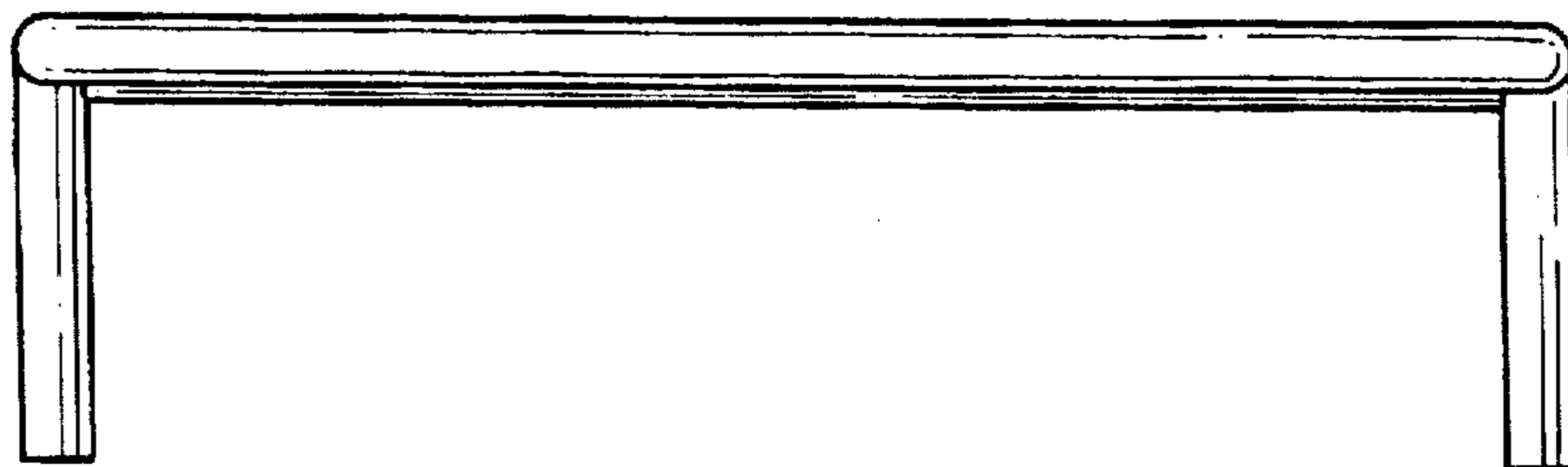


FIG. 6

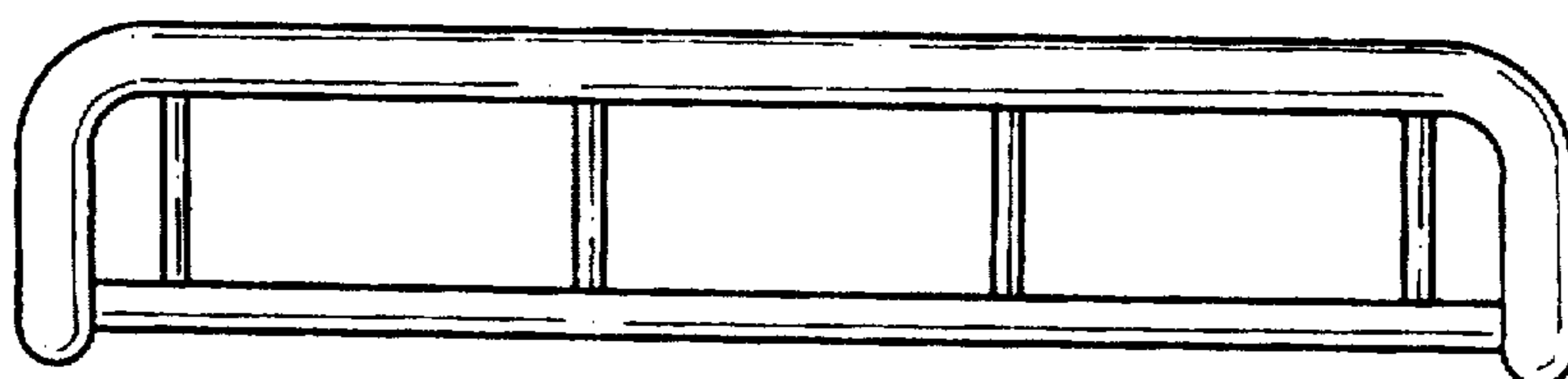


FIG. 7

