



US00D392817S

United States Patent [19]
Lee

[11] **Patent Number: Des. 392,817**
[45] **Date of Patent: **Mar. 31, 1998**

[54] **SHOE RACK**

[75] **Inventor: James Lee, Old Tappan, N.J.**
[73] **Assignee: Organize It All, Moonachie, N.J.**
[**] **Term: 14 Years**

[21] **Appl. No.: 67,829**
[22] **Filed: Mar. 12, 1997**

[51] **LOC (6) Cl. 06-04**
[52] **U.S. Cl. D6/463**
[58] **Field of Search D6/411, 449, 317,
D6/462-468, 567; 211/34, 36, 37, 41.4,
41.8, 181.1; 220/485, 487, 488, 494, 495;
206/503, 504, 513; D34/21, 17**

[56] **References Cited**

U.S. PATENT DOCUMENTS

D. 16,380 11/1885 Eisner et al. 211/181.1 X
D. 209,490 12/1967 Baxter D34/21
D. 324,787 3/1992 Evans D6/411
3,001,650 9/1961 Turner 211/34
3,079,002 2/1963 Bernier 211/34

FOREIGN PATENT DOCUMENTS

2470571 6/1981 France 211/34
2639811 6/1990 France 211/34

OTHER PUBLICATIONS

Washington Post, p. 17m, Space-X-Pander shoe valet, Jun. 24, 1951.

Primary Examiner—James Gandy
Assistant Examiner—Linda Brooks
Attorney, Agent, or Firm—Kane, Dalsimer, Sullivan, Kurucz, Levy, Eisele and Richard, LLP

[57] **CLAIM**

The ornamental design for a shoe rack, as shown and described.

DESCRIPTION

FIG. 1 is a front elevational view of a shoe rack showing my design;
FIG. 2 is a rear elevational view thereof;
FIG. 3 is a right side view thereof with the other side being a mirror image thereof;
FIG. 4 is a bottom plan view thereof;
FIG. 5 is a top plan view thereof; and,
FIG. 6 is a front perspective view thereof.

1 Claim, 4 Drawing Sheets

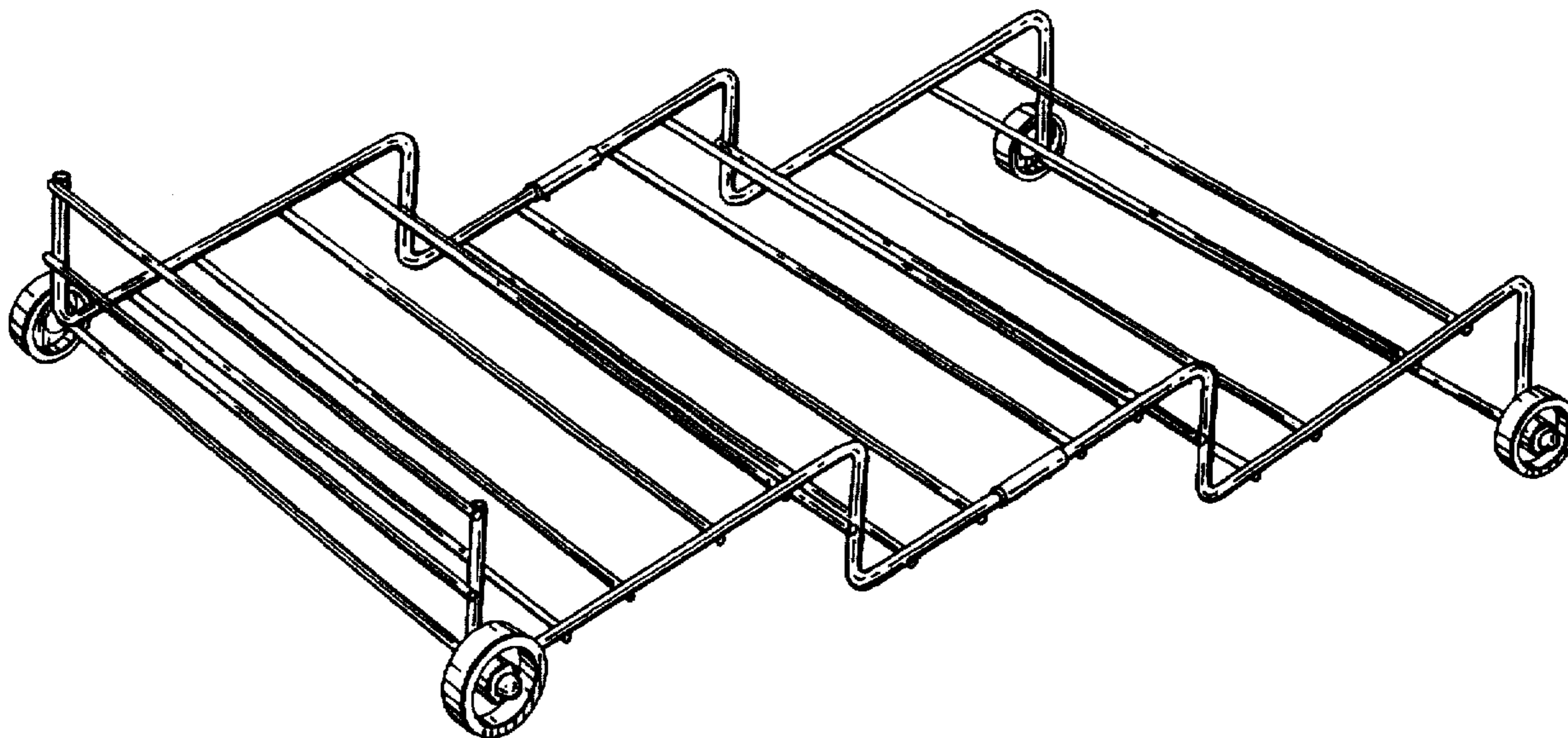




FIG. 1

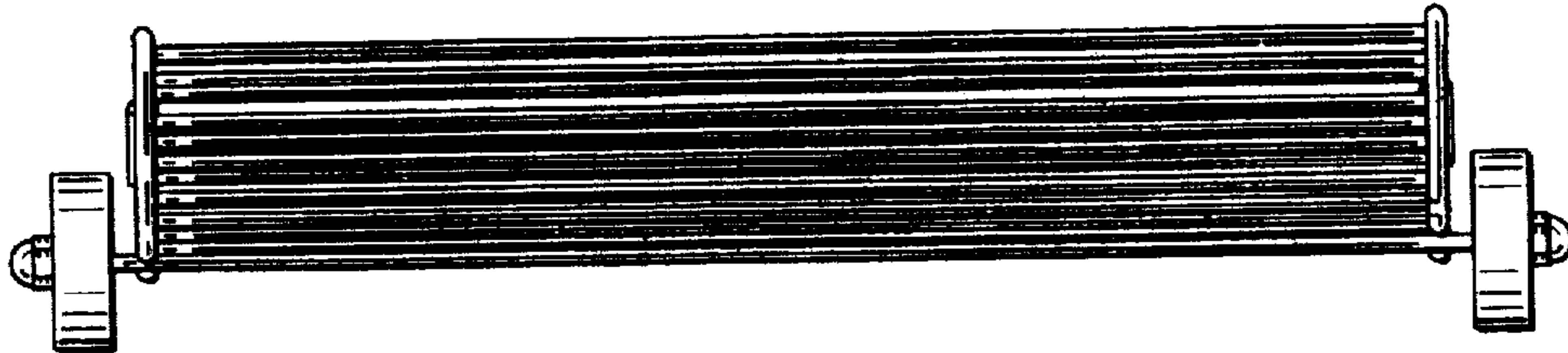


FIG. 2

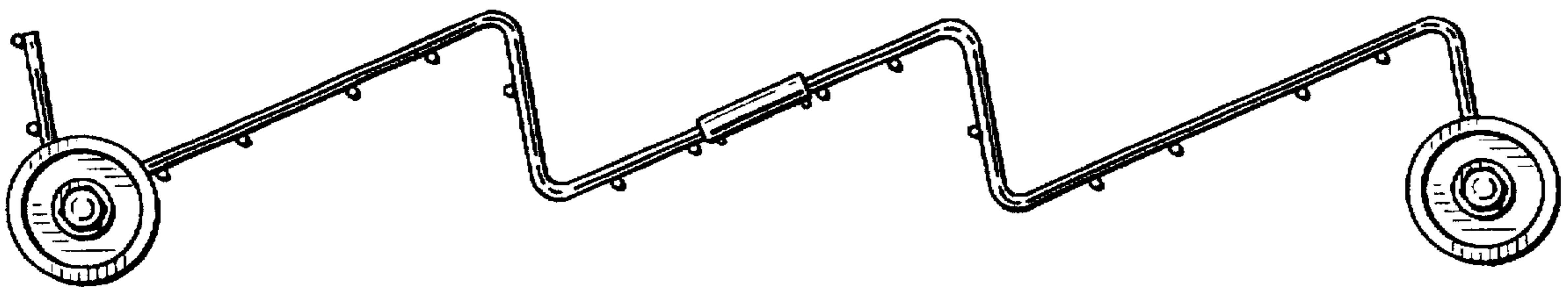


FIG. 3

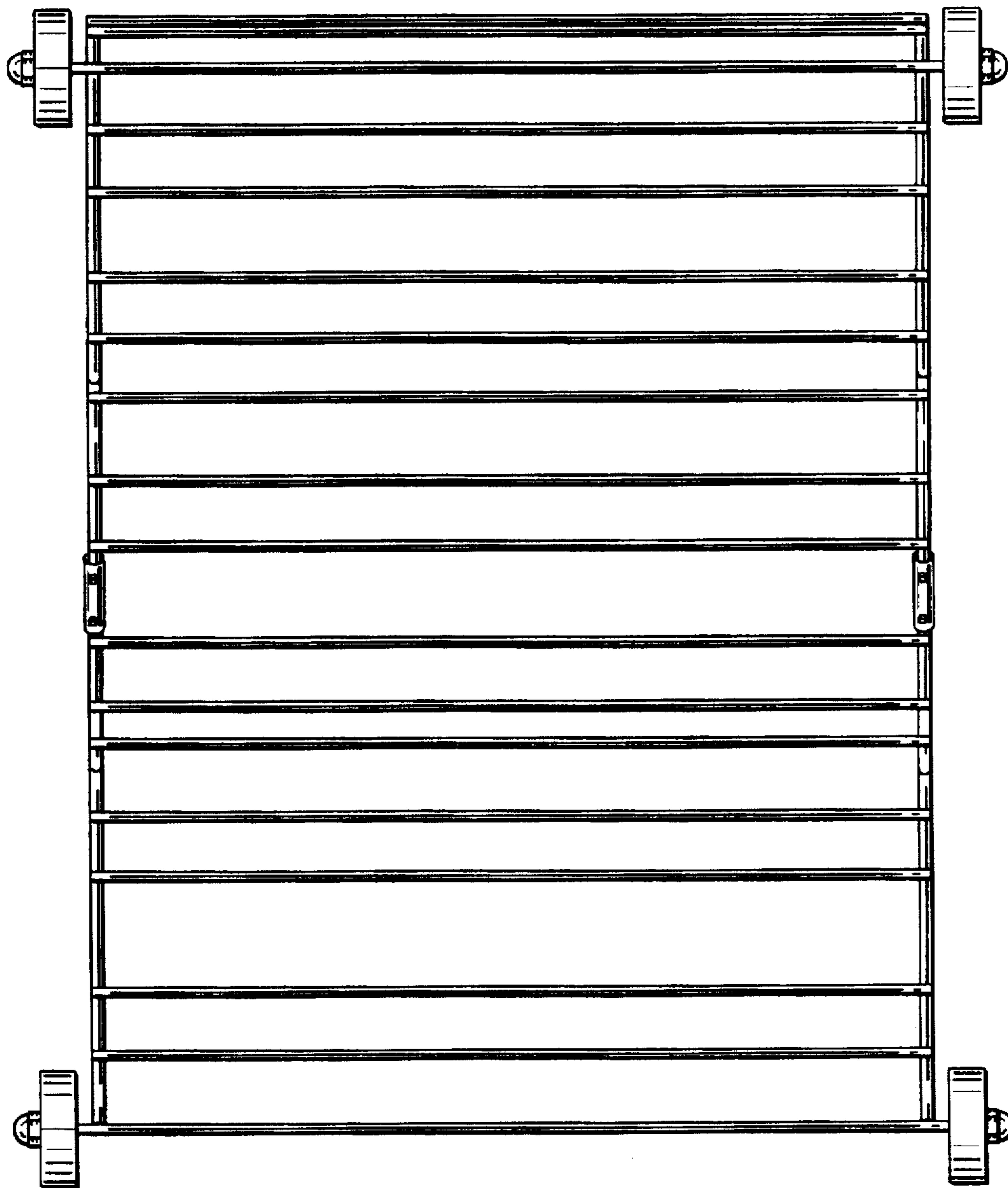


FIG. 4

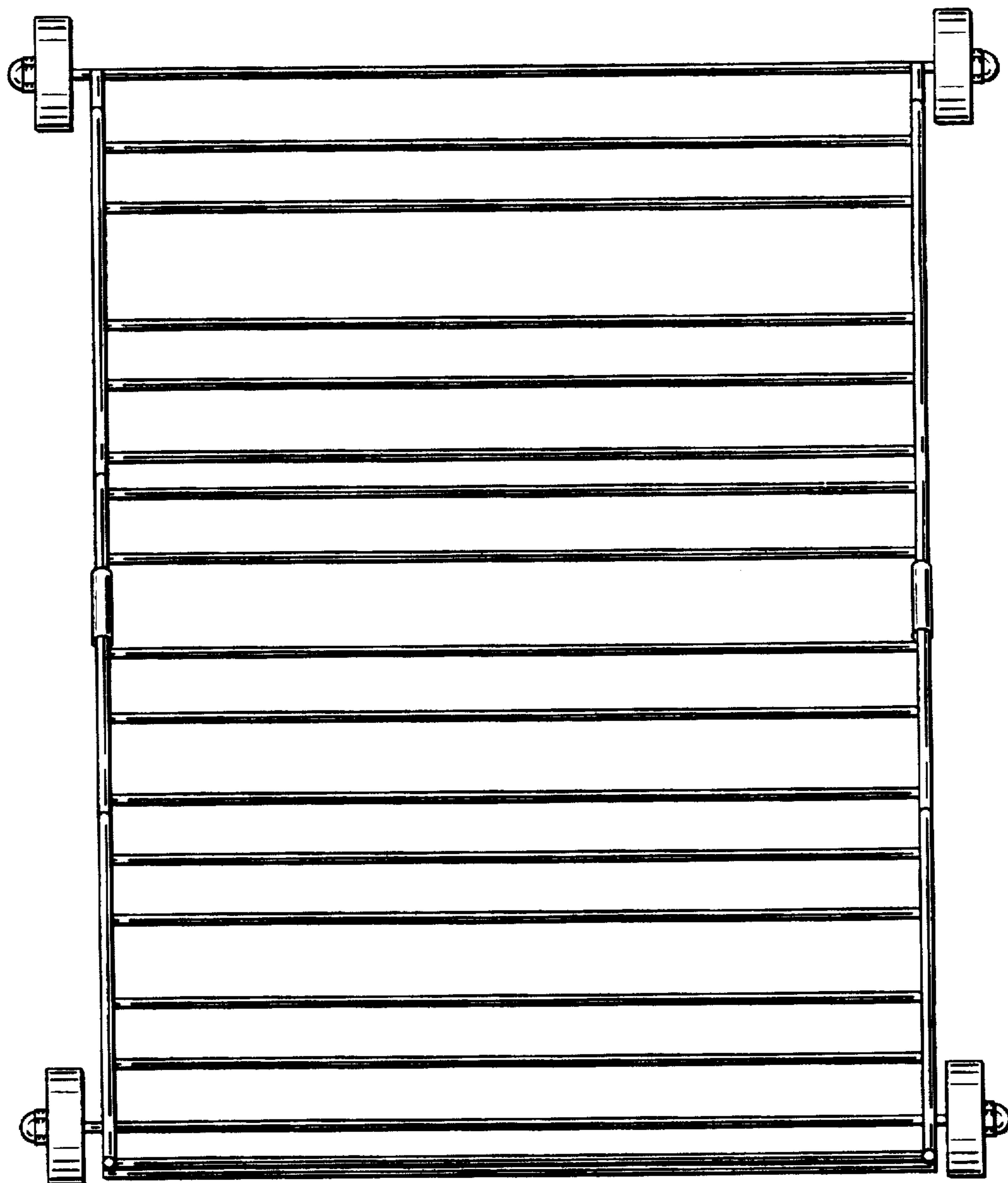


FIG. 5

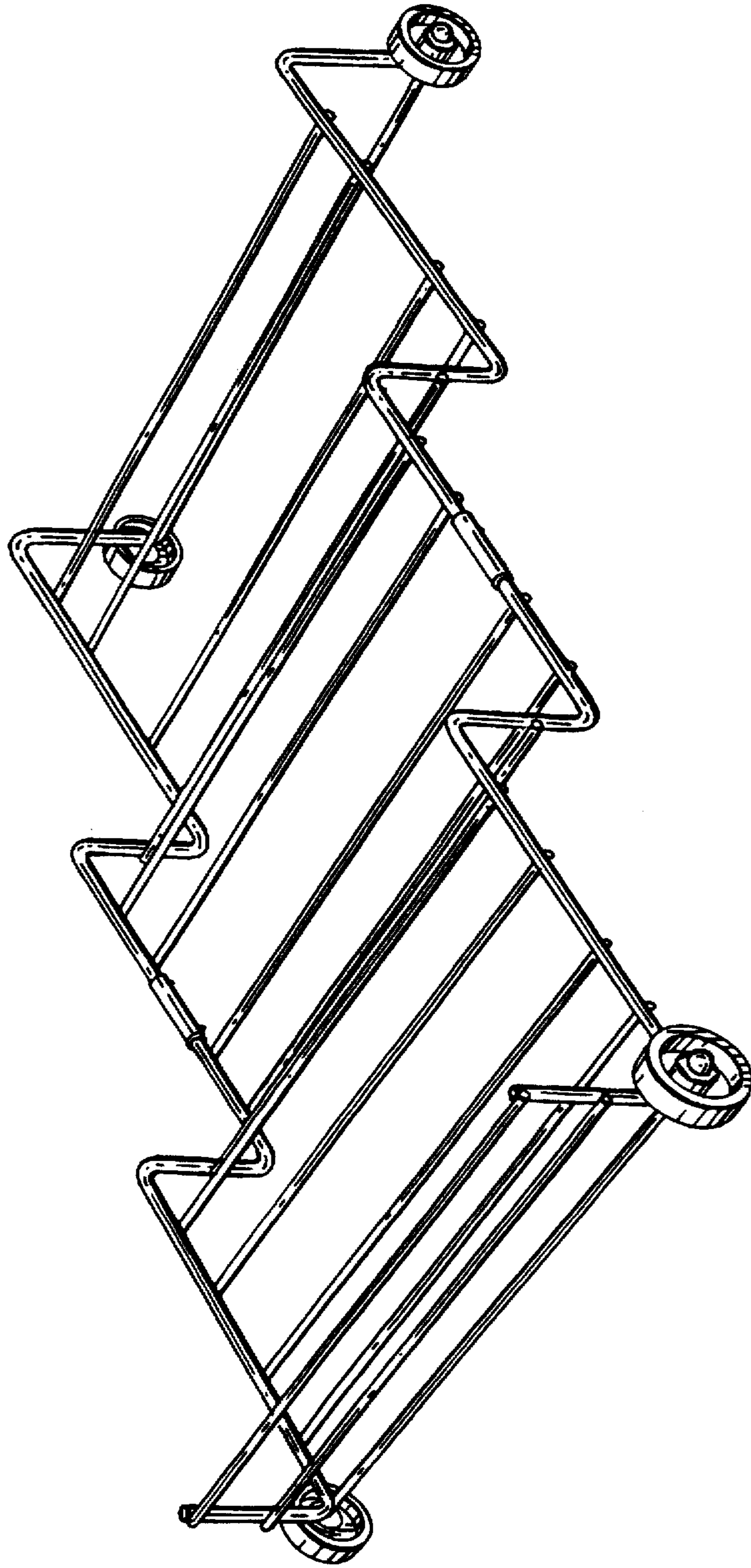


FIG. 6