



US00D392811S

# United States Patent [19]

[11] Patent Number: Des. 392,811

Bergelin

[45] Date of Patent: \*\*Mar. 31, 1998

[54] BED

### OTHER PUBLICATIONS

[75] Inventor: Christopher S. Bergelin, Morganton, N.C.

Ethan Allen, c1992, p. 253, #4 bed at center.  
Jordan Marsh Home Sale, Aug. 1992, bed at top.

[73] Assignee: Henredon Furniture Industries, Inc., Morganton, N.C.

Primary Examiner—Janice E. Seeger  
Attorney, Agent, or Firm—Bell Seltzer Intellectual Property Law Group of Alston & Bird LLP

[\*\*] Term: 14 Years

### [57] CLAIM

[21] Appl. No.: 61,233

The ornamental design for a bed, as shown and described.

[22] Filed: Oct. 18, 1996

### DESCRIPTION

[51] LOC (6) Cl. .... 06-01

[52] U.S. Cl. .... D6/393

[58] Field of Search ..... D6/382-384, 388-395,  
D6/505-508; 5/53.1, 279.1, 280, 281, 907,  
908

FIG. 1 is a perspective view of a bed showing my new design;

FIG. 2 is a front elevational view thereof;

FIG. 3 is a fragmentary cross-sectional view taken along line 3-3 in FIG. 1;

FIG. 4 is a side view thereof, the opposite side being a mirror image of the side shown; and,

FIG. 5 is a fragmentary cross-sectional view taken along line 5-5 in FIG. 1.

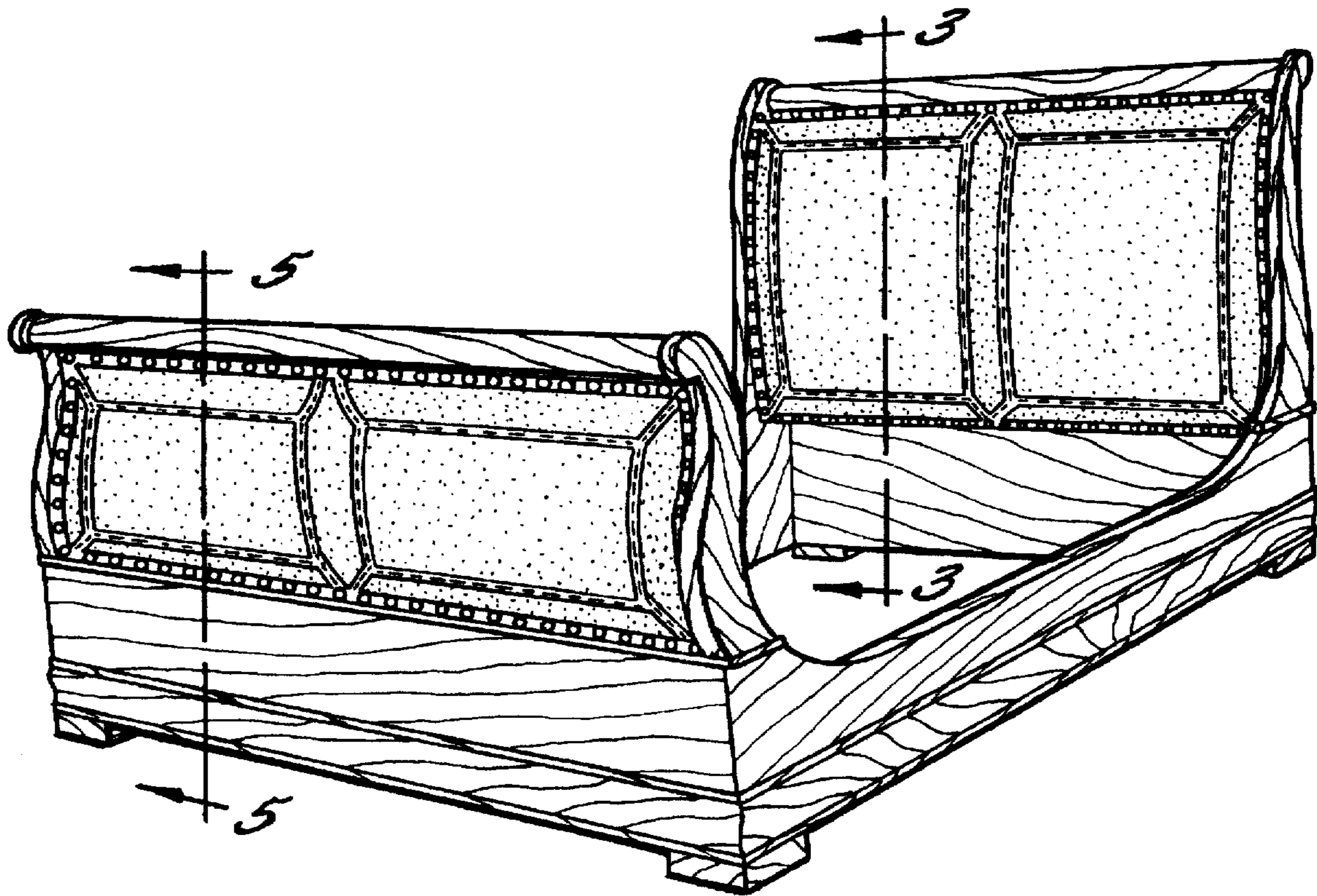
The outside or rear of the headboard and the inside or rear of the footboard are not part of the claimed design.

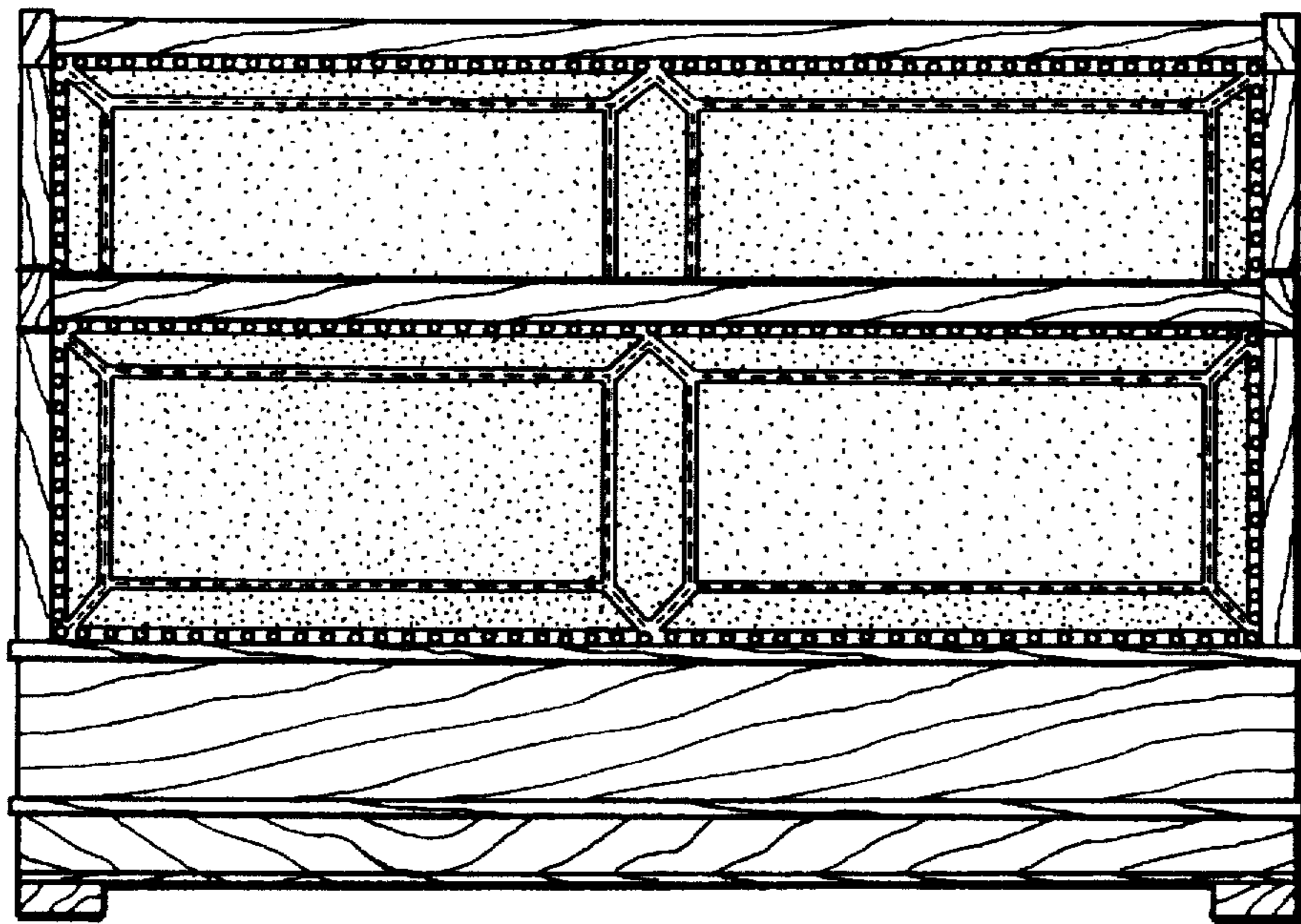
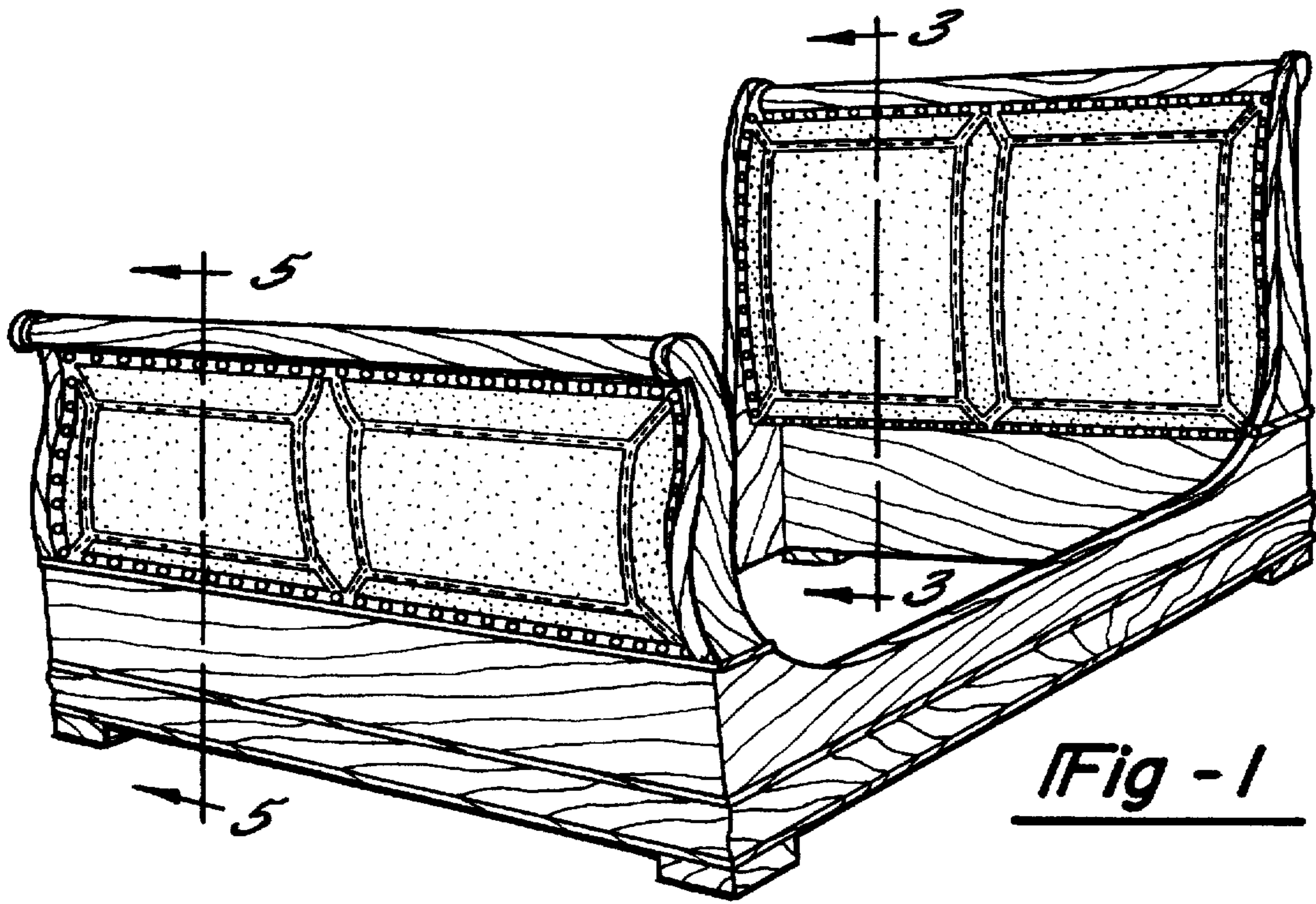
### [56] References Cited

#### U.S. PATENT DOCUMENTS

D. 90,887	10/1933	Kayser	.....	D6/505
D. 345,263	3/1994	Keller	.....	D6/389
D. 370,793	6/1996	Keller	.....	D6/393
D. 373,486	9/1996	Keller et al.	.....	D6/393

1 Claim, 2 Drawing Sheets





*Fig - 2*

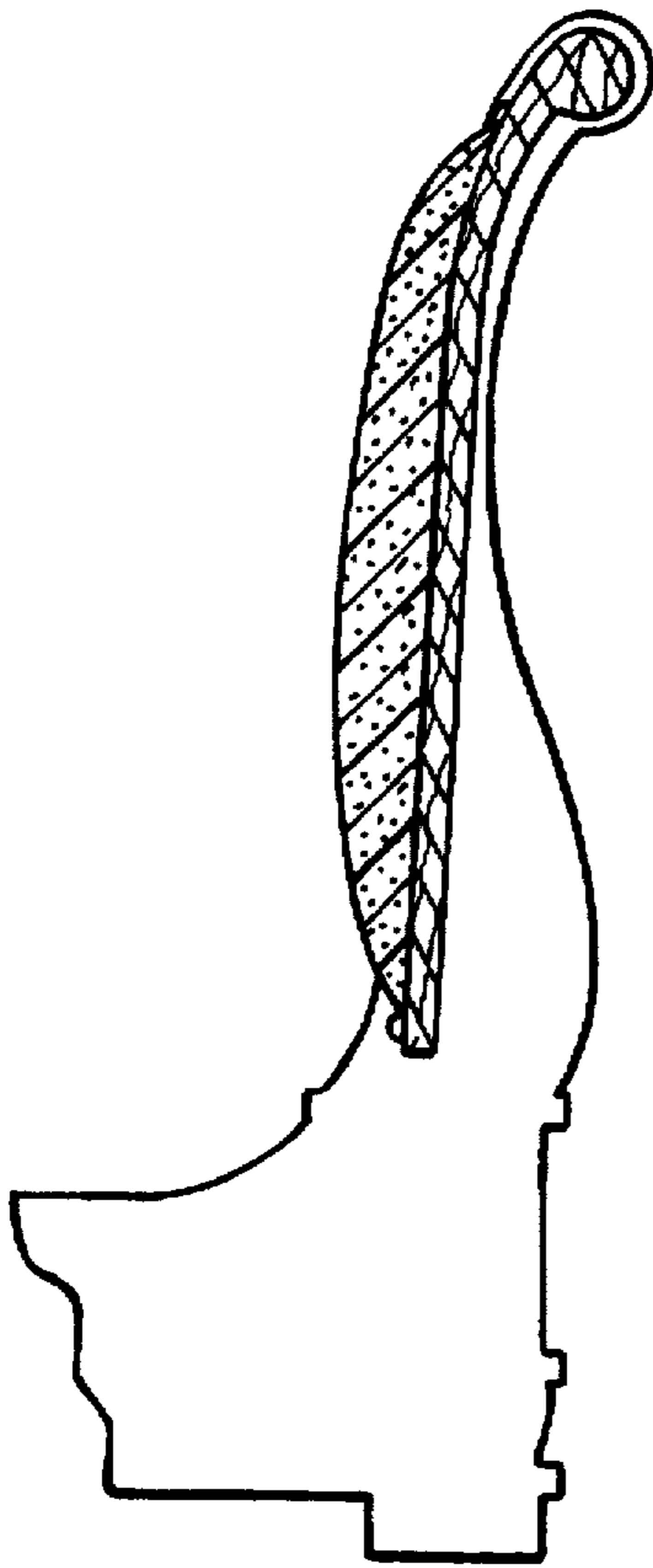


Fig - 3

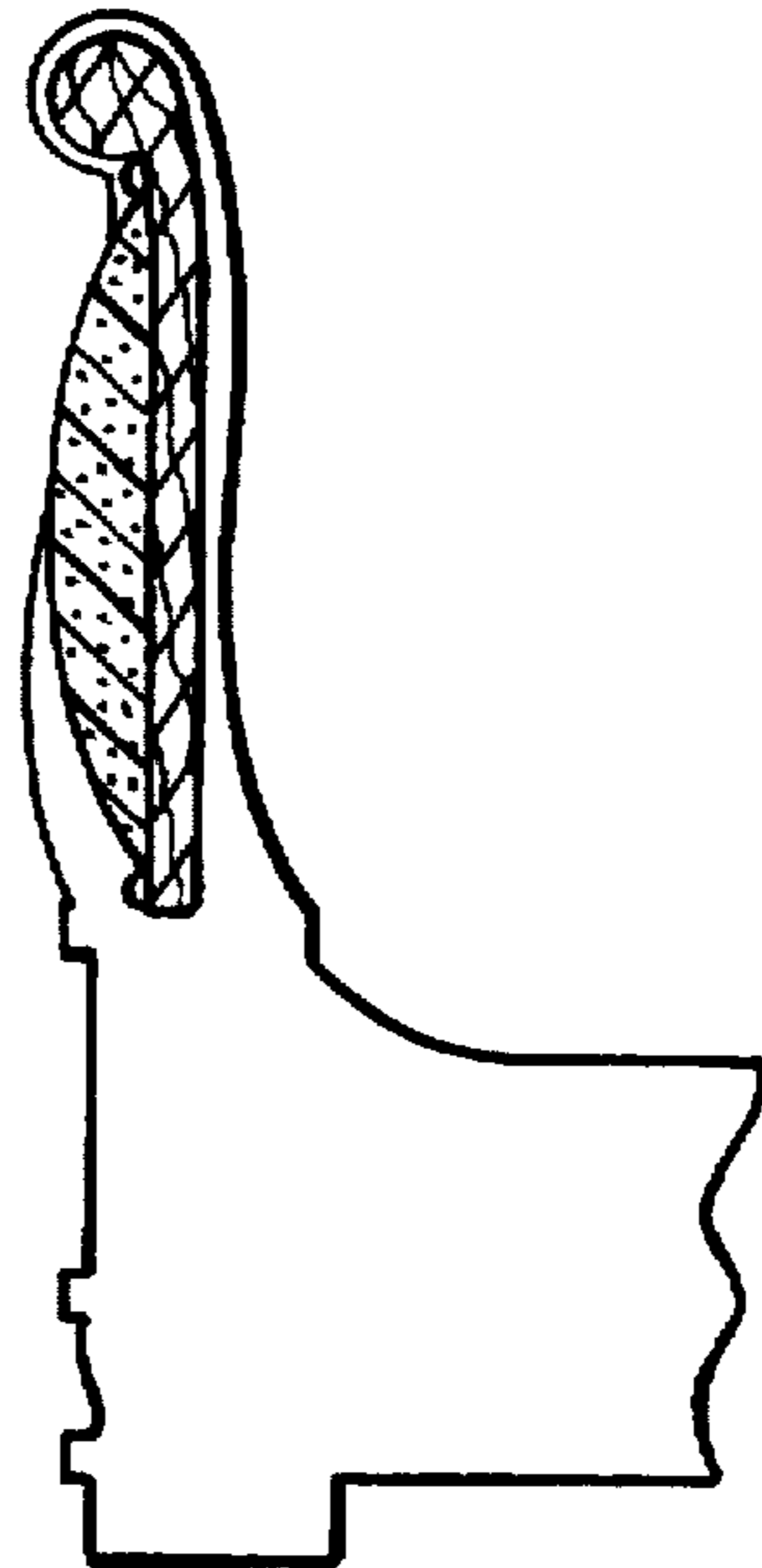


Fig - 5

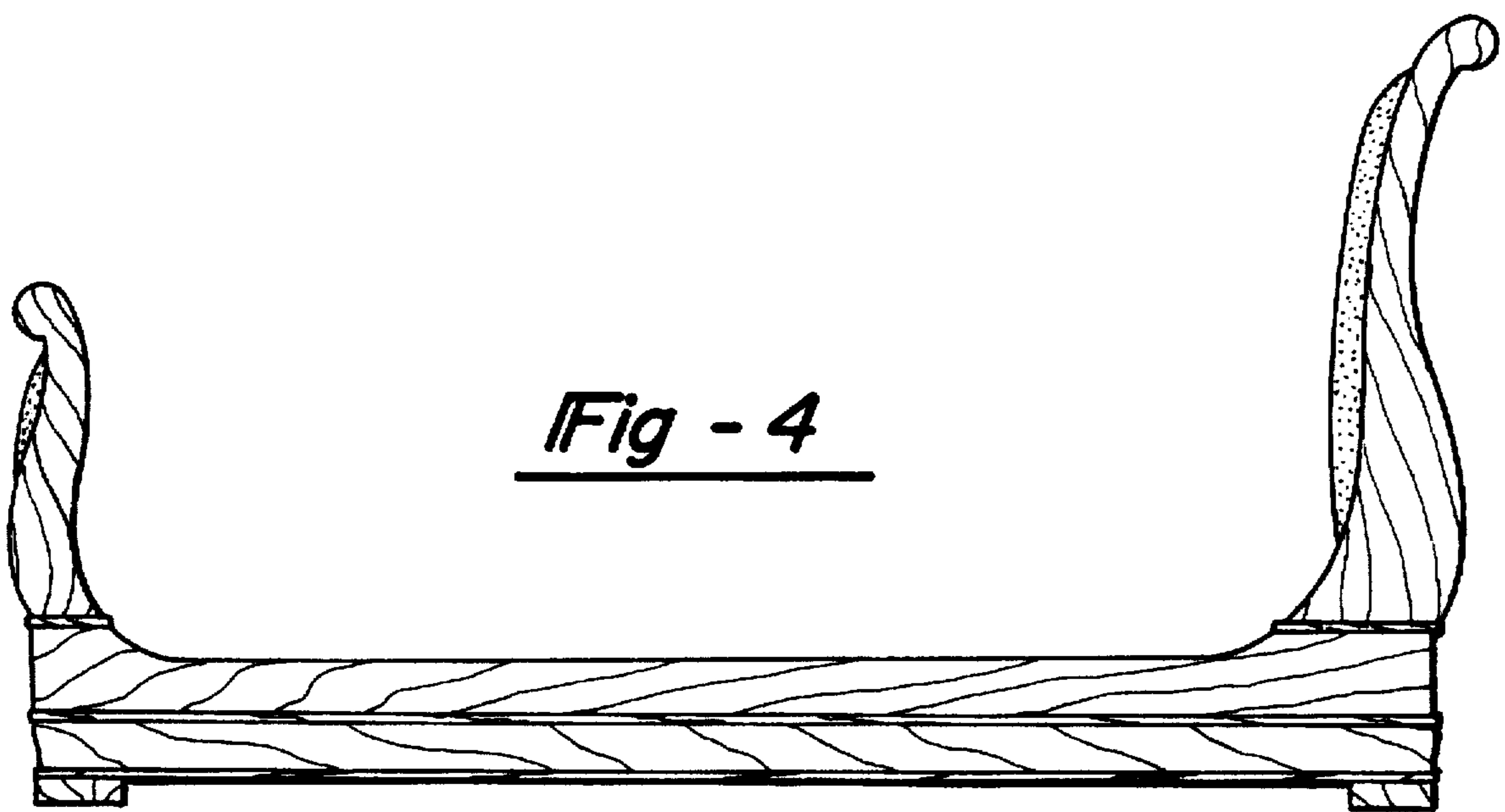


Fig - 4