



US00D392808S

United States Patent [19]
Newick

[11] **Patent Number: Des. 392,808**
[45] **Date of Patent: **Mar. 31, 1998**

[54] **BATHING AID FOR THE ELDERLY/
DISABLED**

[75] **Inventor: Ben Newick, Surrey, United Kingdom**

[73] **Assignee: Coopers Healthcare PLC, Godalming,
United Kingdom**

[**] **Term: 14 Years**

[21] **Appl. No.: 64,035**

[22] **Filed: Dec. 20, 1996**

[30] **Foreign Application Priority Data**

Jun. 26, 1996 [GB] United Kingdom 2057269

[51] **LOC (6) Cl. 06-01**

[52] **U.S. Cl. D6/367**

[58] **Field of Search D6/334, 335, 336,
D6/367, 368, 374, 380, 500, 501, 502;
4/562.1, 564.1, 565.1**

[56] **References Cited**

U.S. PATENT DOCUMENTS

D. 337,443 7/1993 Richards D6/367
3,286,970 11/1966 Nolan 4/564.1 X
4,569,091 2/1986 Brandenberger 4/562.1
5,103,509 4/1992 Richards 4/564.1

OTHER PUBLICATIONS

House Beautiful, Nov. 1985, p. 156, Bath Seat at top right,
Nov. 1985.

Primary Examiner—Gary D. Watson

Attorney, Agent, or Firm—Kinney & Lange, P.A.

[57] **CLAIM**

The ornamental design for a bathing aid for the elderly/
disabled, as shown and described.

DESCRIPTION

FIG. 1 is a front view of the bathing aid with the seat in a partially raised position and side flaps down;
FIG. 2 is a left side view of the bathing aid with the seat in a partially raised position and side flaps down, the right side is a mirror image of the left side;
FIG. 3 is a rear view of the bathing aid with the seat in a partially raised position and side flaps down;
FIG. 4 is a plan view of the bathing aid with the seat in a partially raised position and side flaps down;
FIG. 5 is a underneath view of the bathing aid with the seat in a partially raised position and side flaps down;
FIG. 6 is a left-front perspective view of the bathing aid with the seat in a partially raised position and side flaps hinged up;
FIG. 7 is a front view of the bathing aid with the seat and flaps hinged up in in a partially raised position;
FIG. 8 is a front view of the bathing aid with the seat, flaps and base hinged up in a partially raised position;
FIG. 9 is a right-front perspective view of the bathing aid with the seat in a partially raised position and side flaps removed for illustrative purposes; and,
FIG. 10 is a frontal perspective view of the bathing aid with the seat in a lowered position and side flaps down.

1 Claim, 9 Drawing Sheets

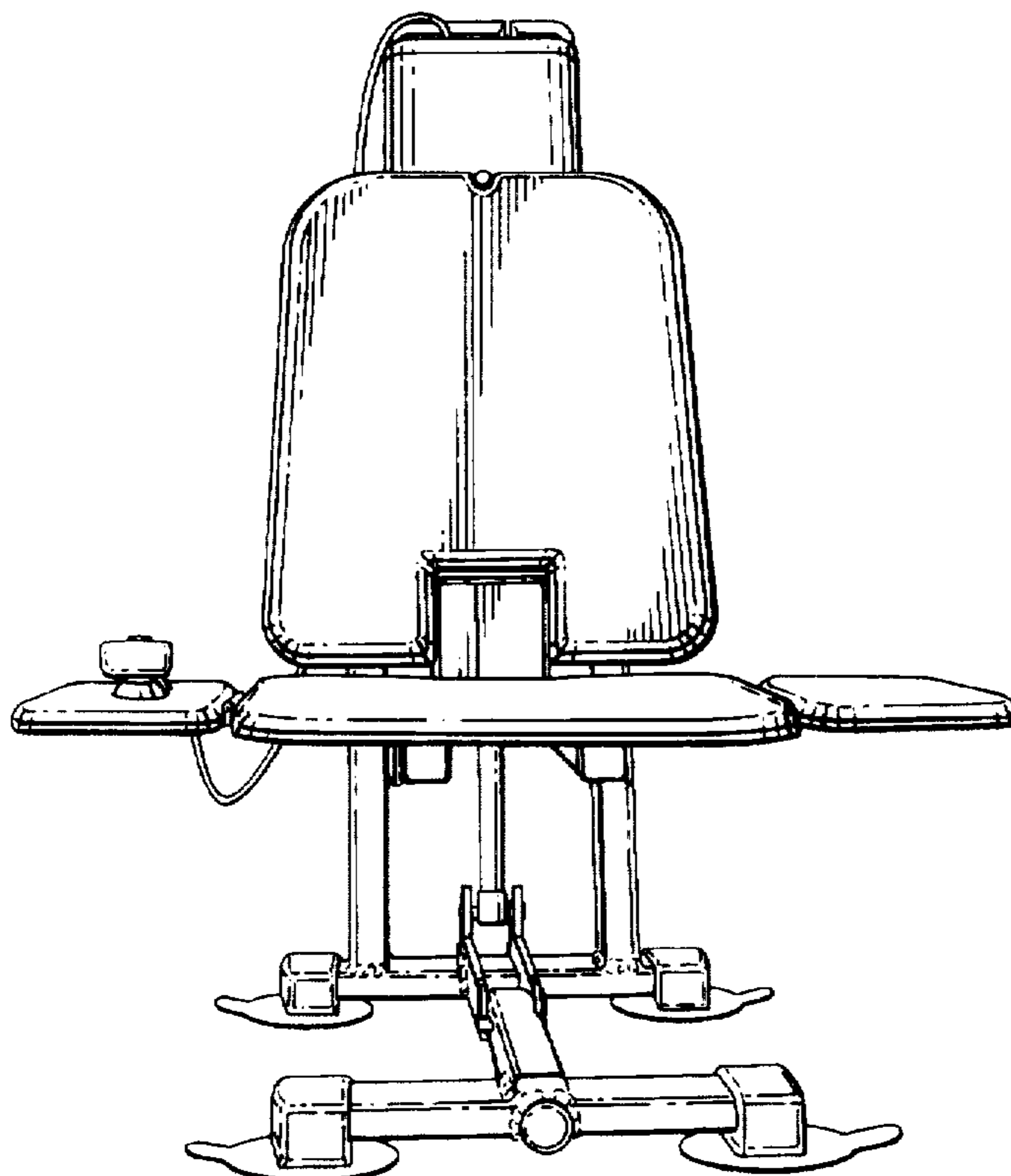


FIG. 1

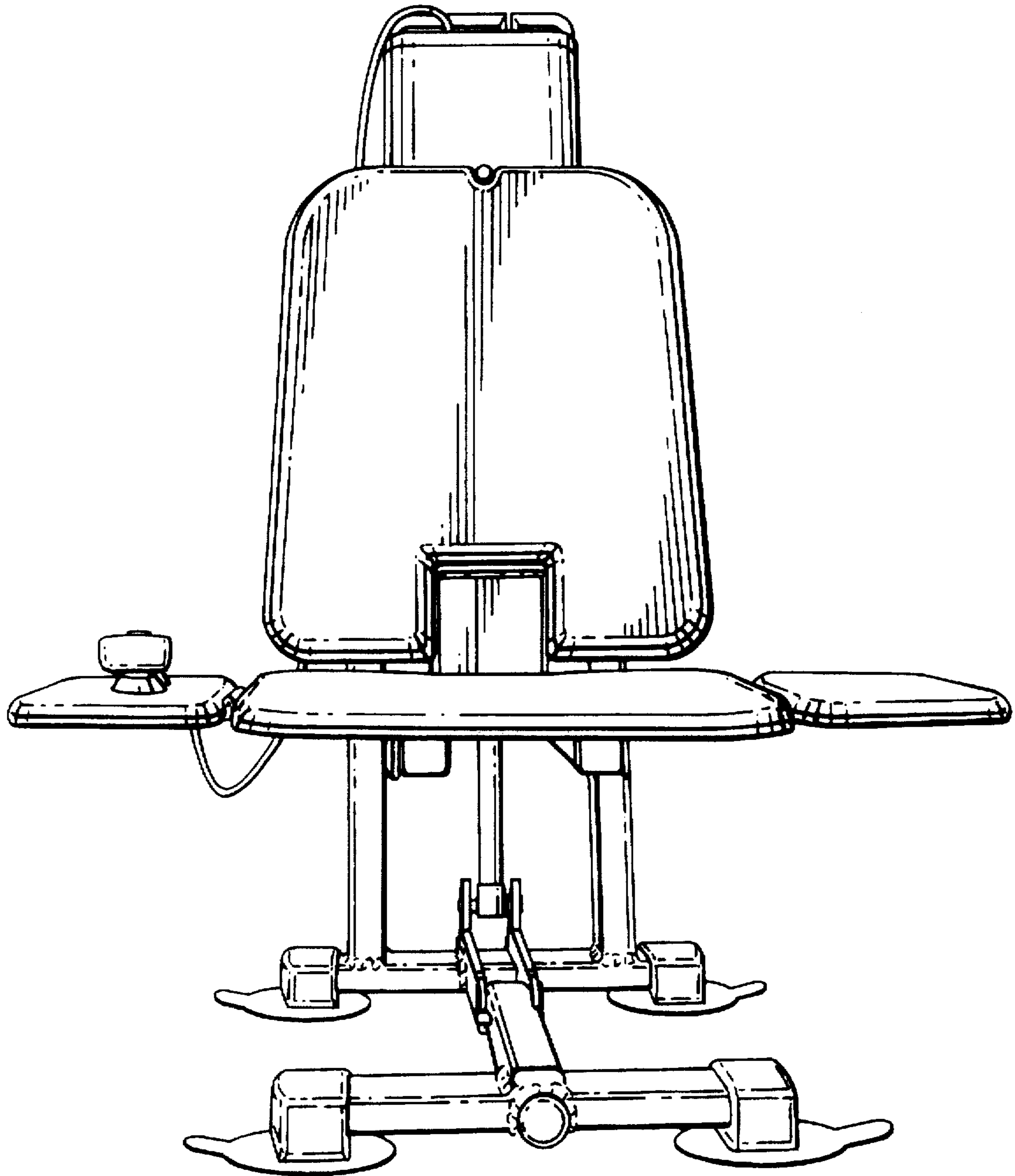


FIG .2

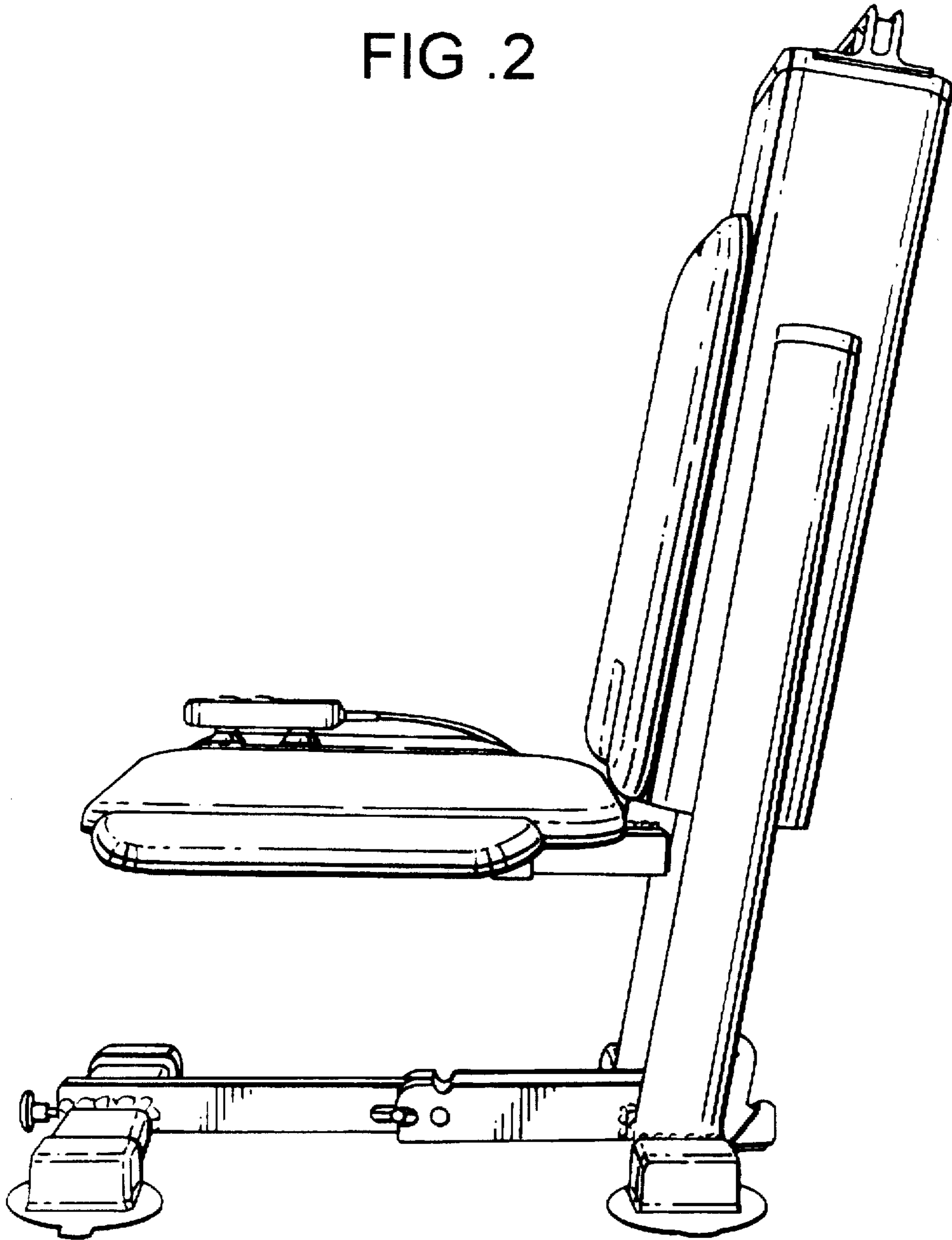


FIG .3

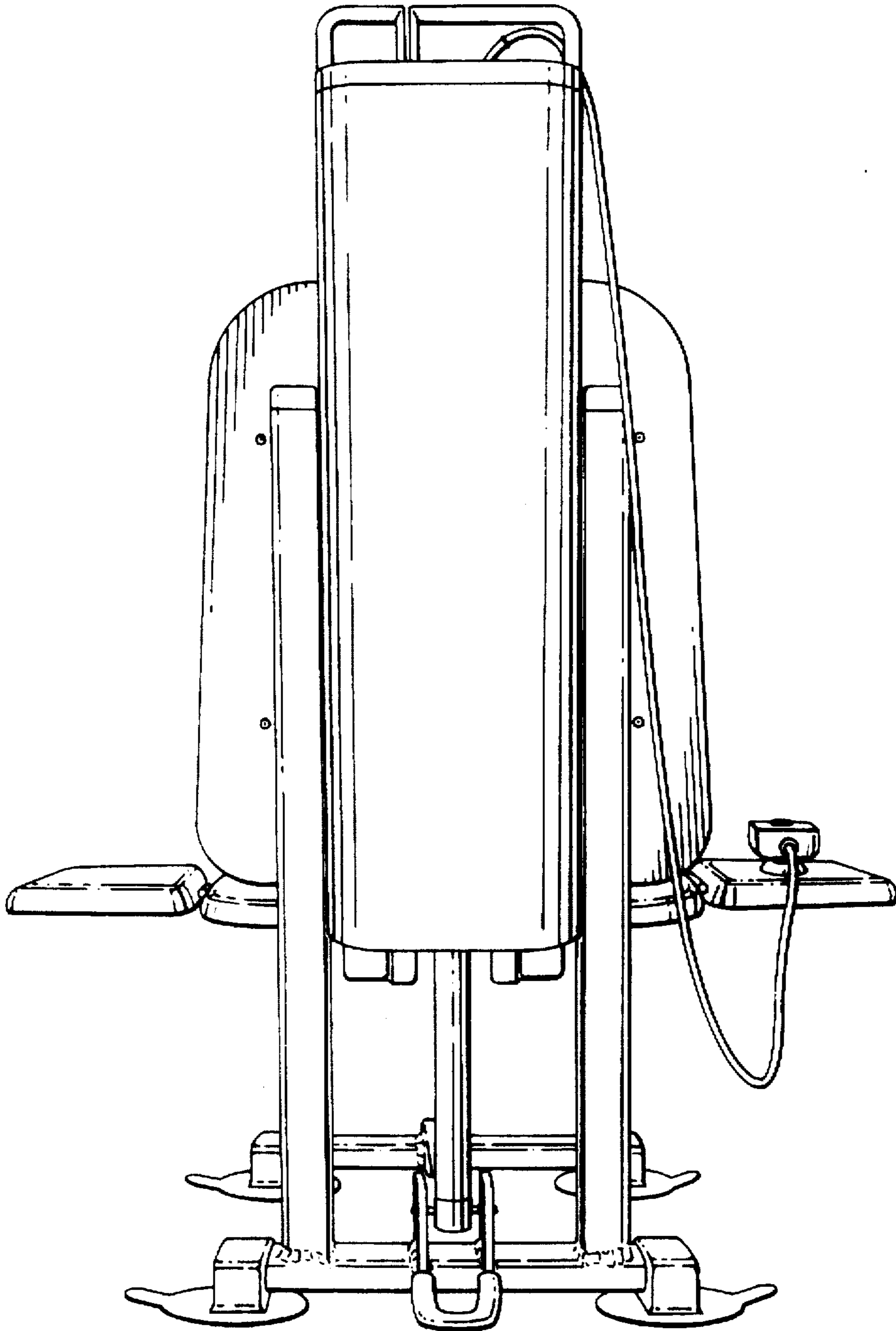


FIG .4

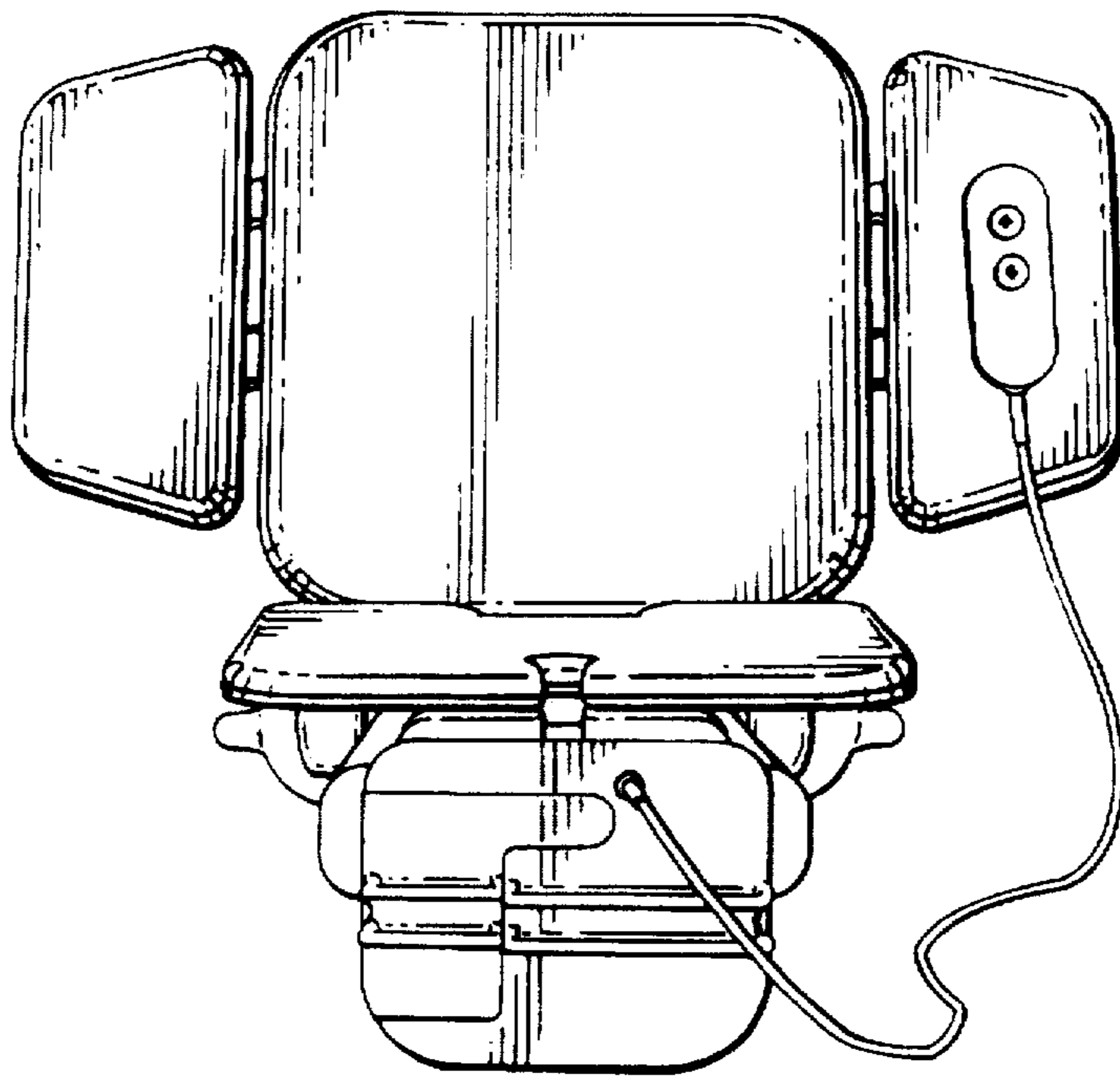


FIG .5

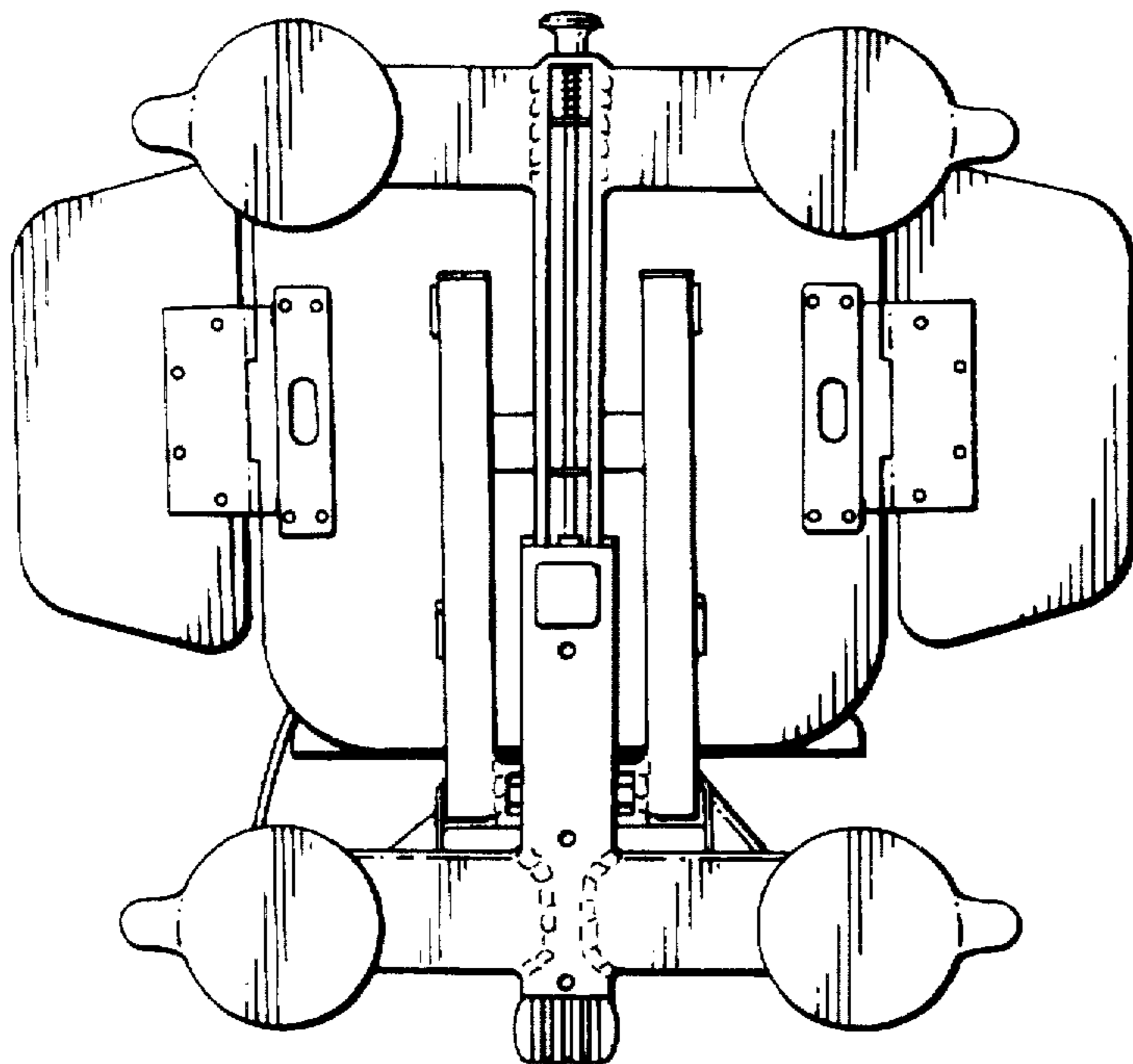


FIG .6

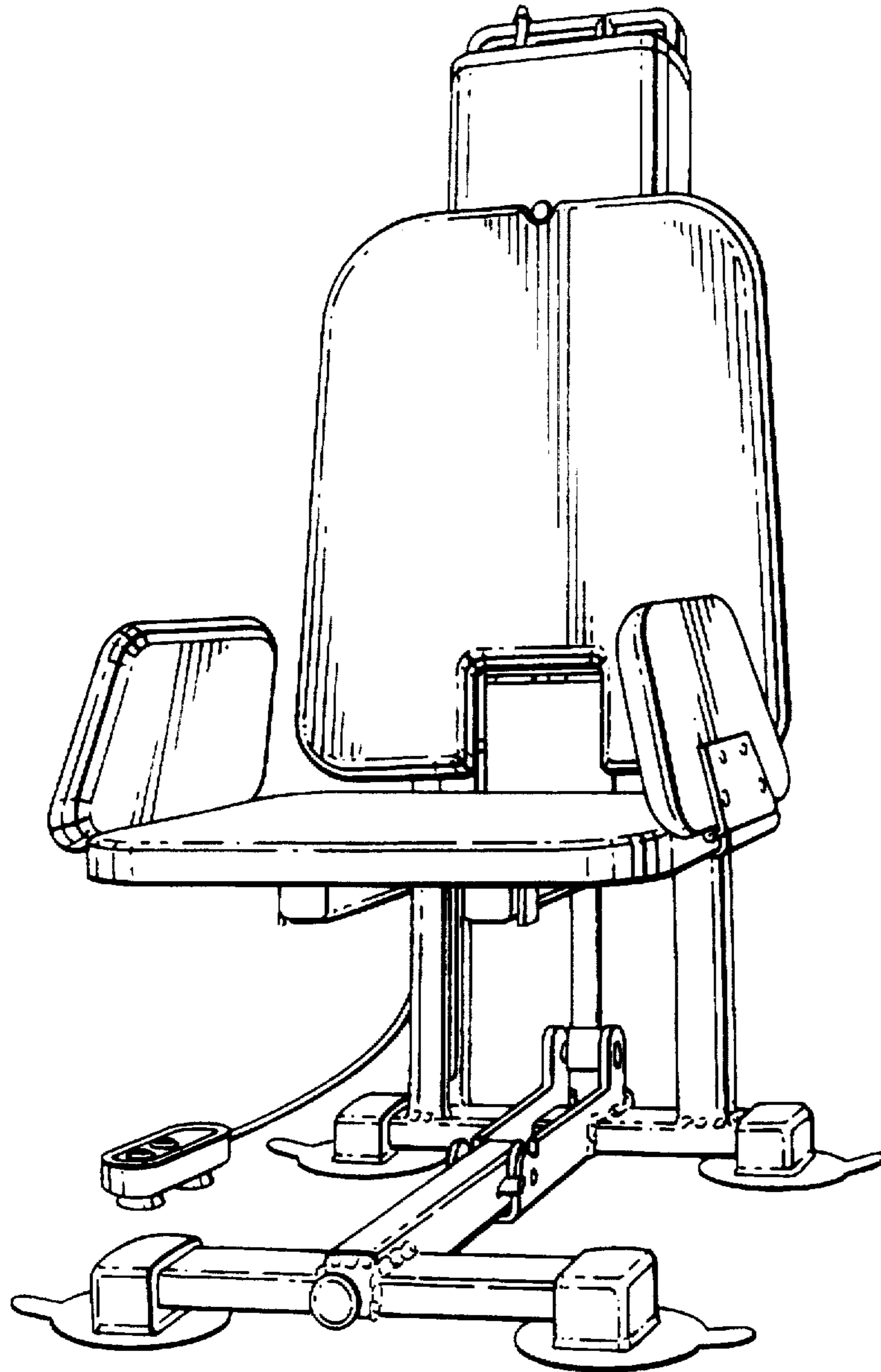


FIG .7

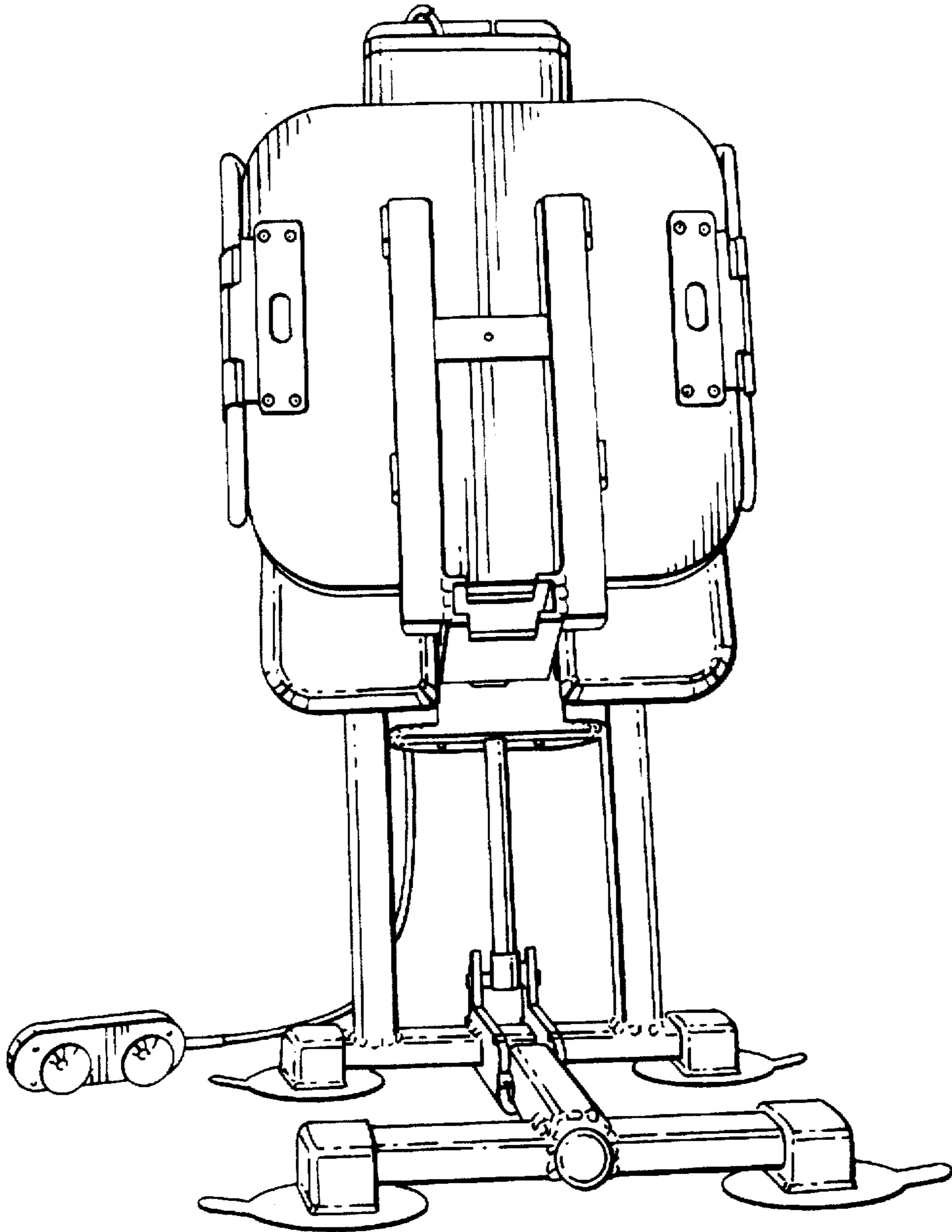


FIG .8

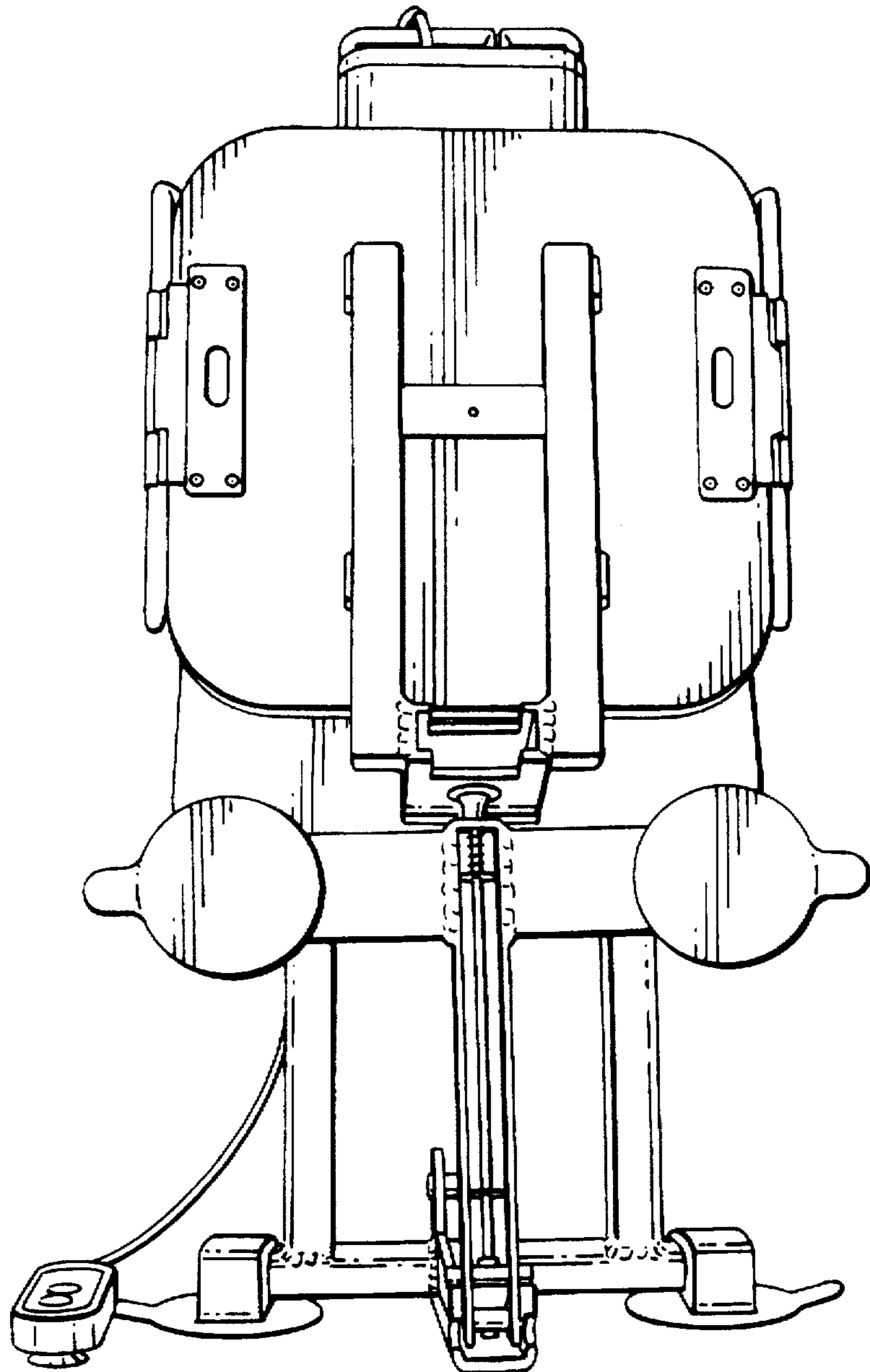


FIG .9

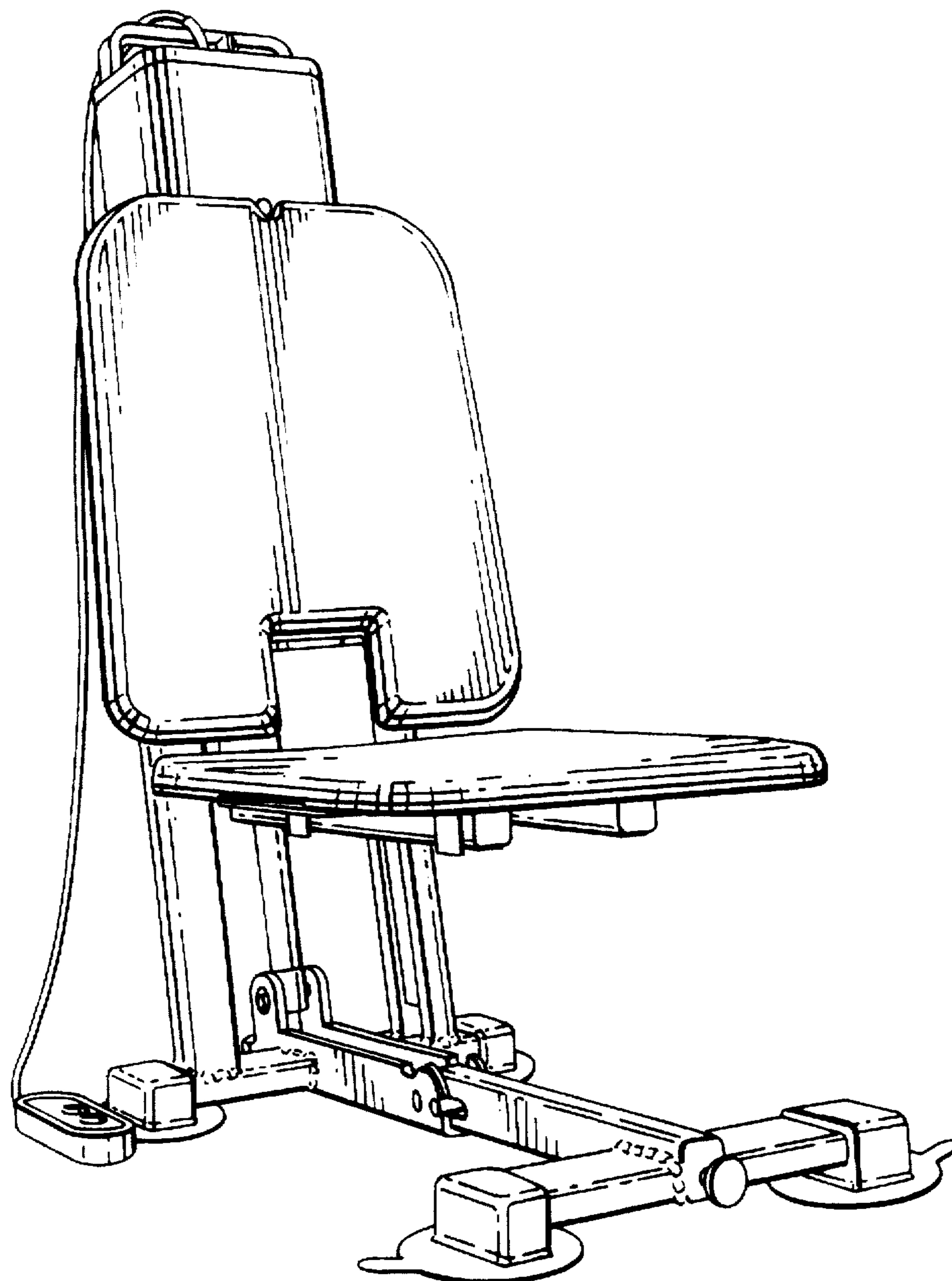


FIG .10

