



US00D392804S

United States Patent [19]

Wilkening et al.

[11] Patent Number: **Des. 392,804**

[45] Date of Patent: ****Mar. 31, 1998**

[54] **BIN**

[75] Inventors: **Steven R. Wilkening**, Grandville, Mich.; **Kurt T. Peterson**, Mt. Prospect, Ill.; **Walter B. Herbst**, Lake Forest, Ill.; **Aaron B. Eiger**, Evanston, Ill.

[73] Assignee: **ODL, Incorporated**, Zeeland, Mich.

[**] Term: **14 Years**

[21] Appl. No.: **57,009**

[22] Filed: **Jul. 15, 1996**

[51] LOC (6) Cl. **03-01**

[52] U.S. Cl. **D3/313; D3/307**

[58] Field of Search **D3/313, 304, 314, D3/307, 310, 311, 312; D6/374, 476; D7/553; 220/524; 211/88.01**

[56] **References Cited**

U.S. PATENT DOCUMENTS

- D. 149,105 3/1948 Barnett D7/553 X
- D. 160,744 10/1950 Rizzuto D3/313
- D. 185,897 8/1959 Stark D6/547

- D. 235,512 6/1975 Marchetti D3/311
- D. 279,638 7/1985 Kellogg D6/476
- D. 312,171 11/1990 Roth D7/553 X
- D. 342,364 12/1993 Hobson D3/313
- D. 380,299 7/1997 Schlaeger et al. D3/310
- 3,986,649 10/1976 Heimstra 211/88.01
- 4,552,272 11/1985 Field 211/88.01

Primary Examiner—M. N. Pandozzi
Attorney, Agent, or Firm—Warner Norcross & Judd

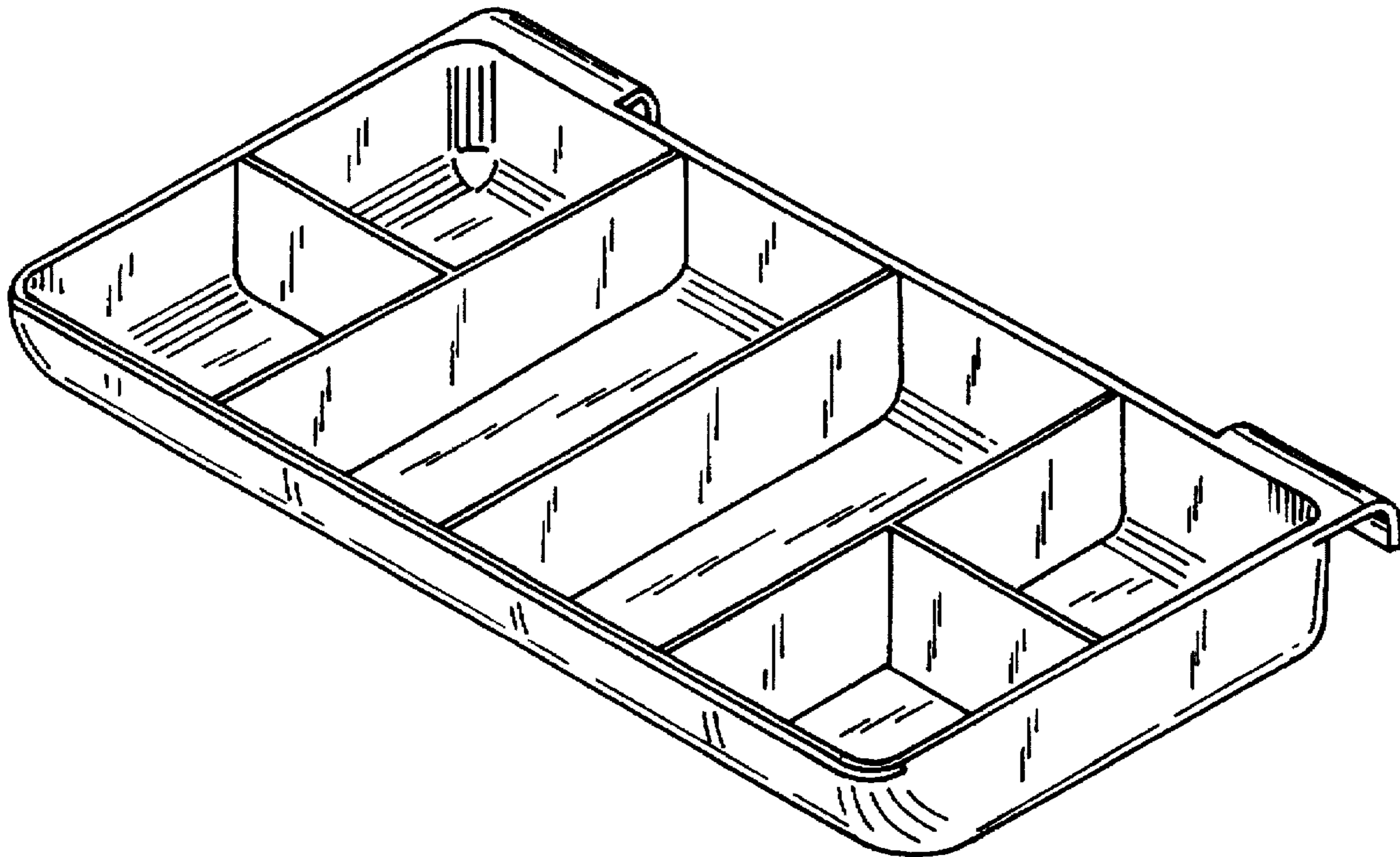
[57] **CLAIM**

The ornamental design for a bin, as shown and described.

DESCRIPTION

FIG. 1 is a front perspective view of the bin embodying the new design;
FIG. 2 is a rear perspective view thereof;
FIG. 3 is a top plan view thereof;
FIG. 4 is a bottom plan view thereof;
FIG. 5 is a left side elevational view thereof, the right side elevational view being a mirror image;
FIG. 6 is a front elevational view thereof; and,
FIG. 7 is a rear elevational view thereof.

1 Claim, 2 Drawing Sheets



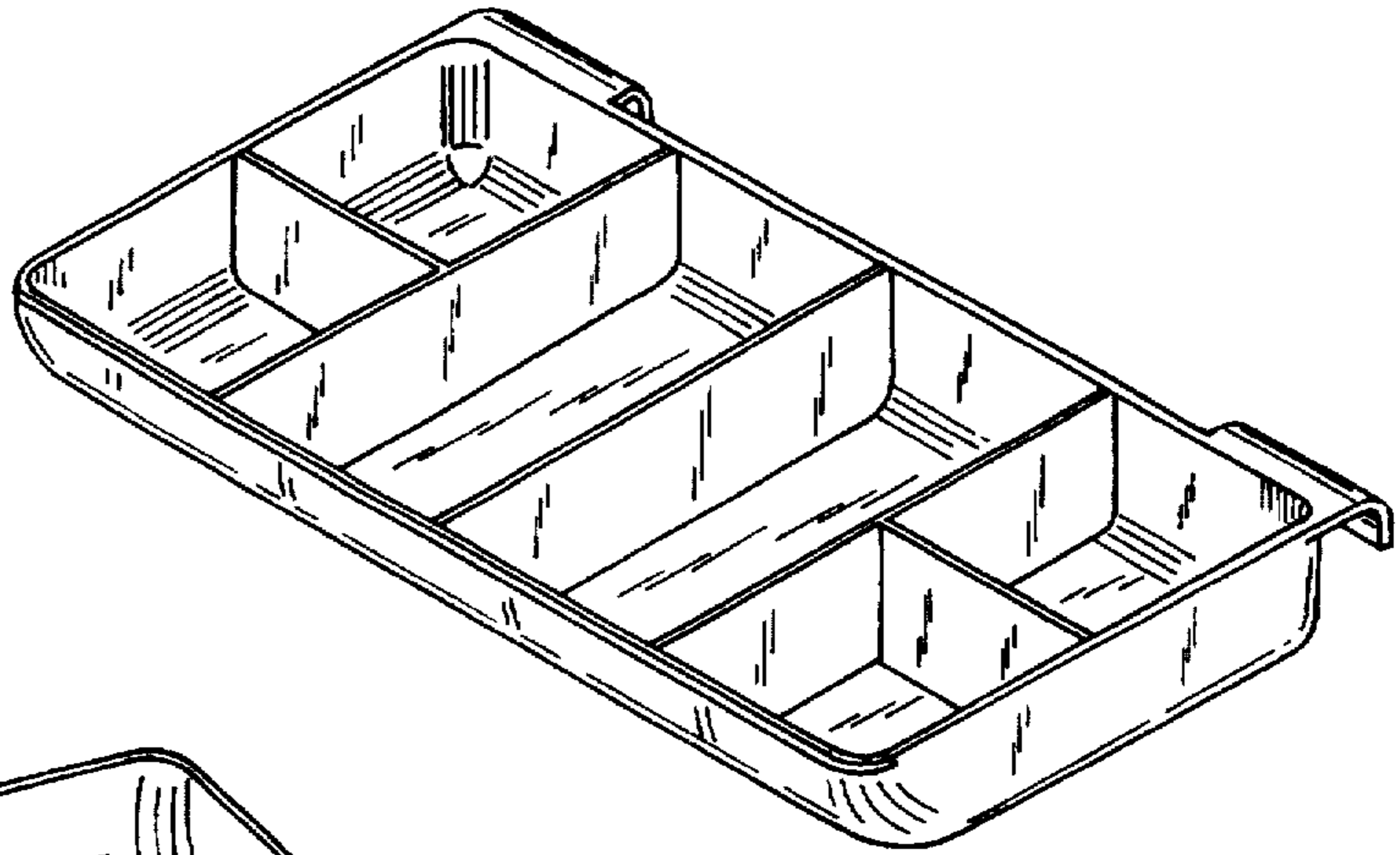


FIG. 1

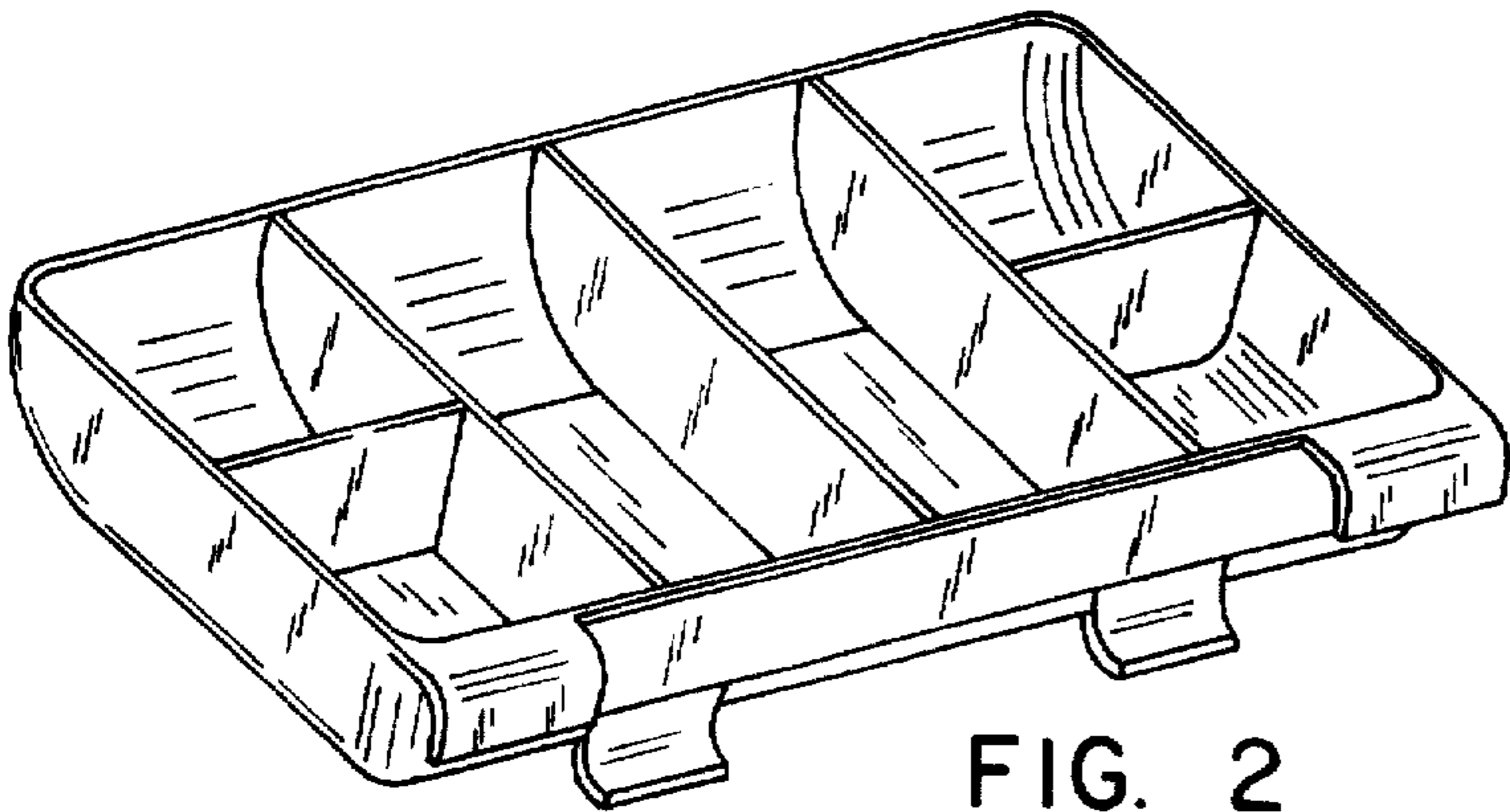


FIG. 2

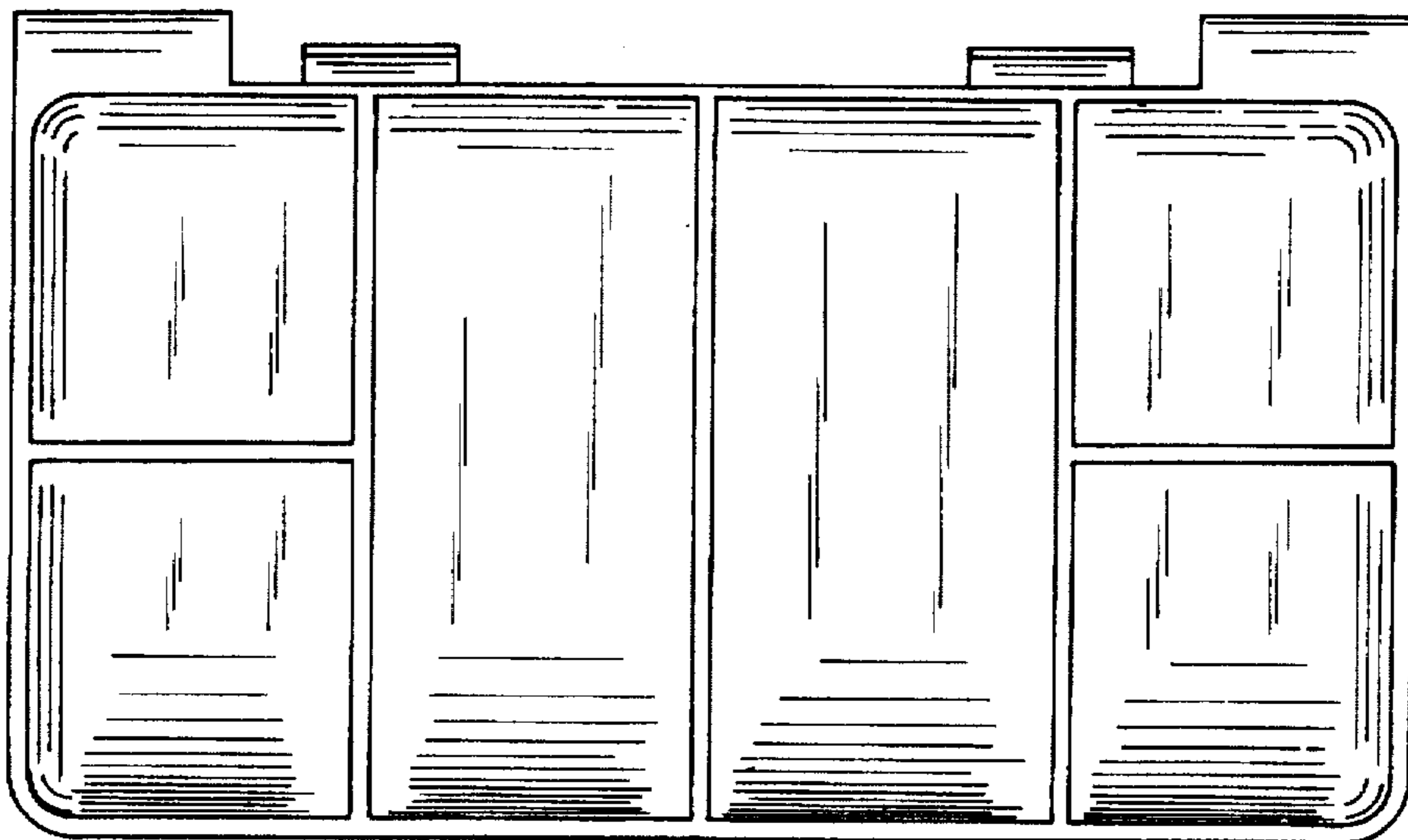


FIG. 3

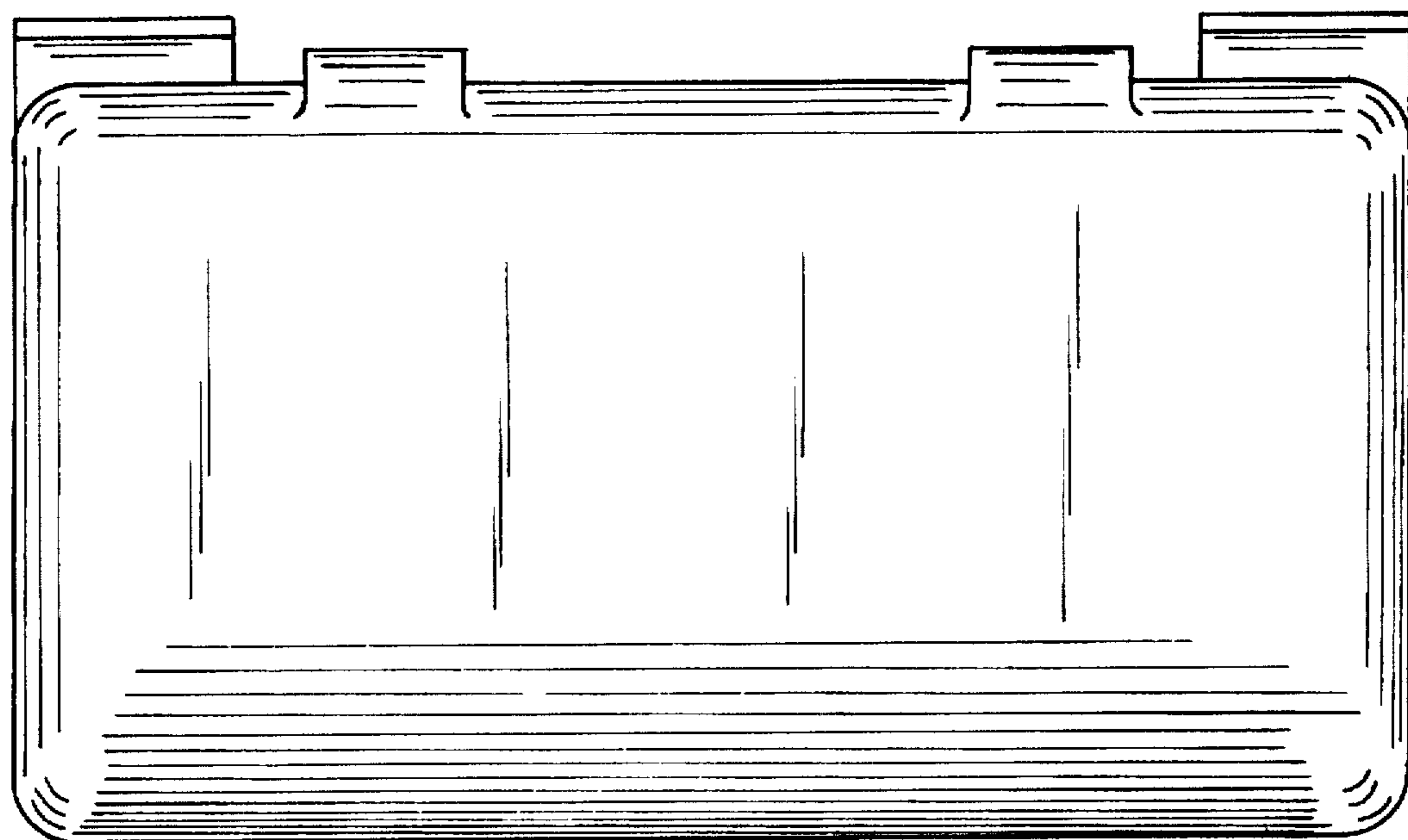


FIG. 4

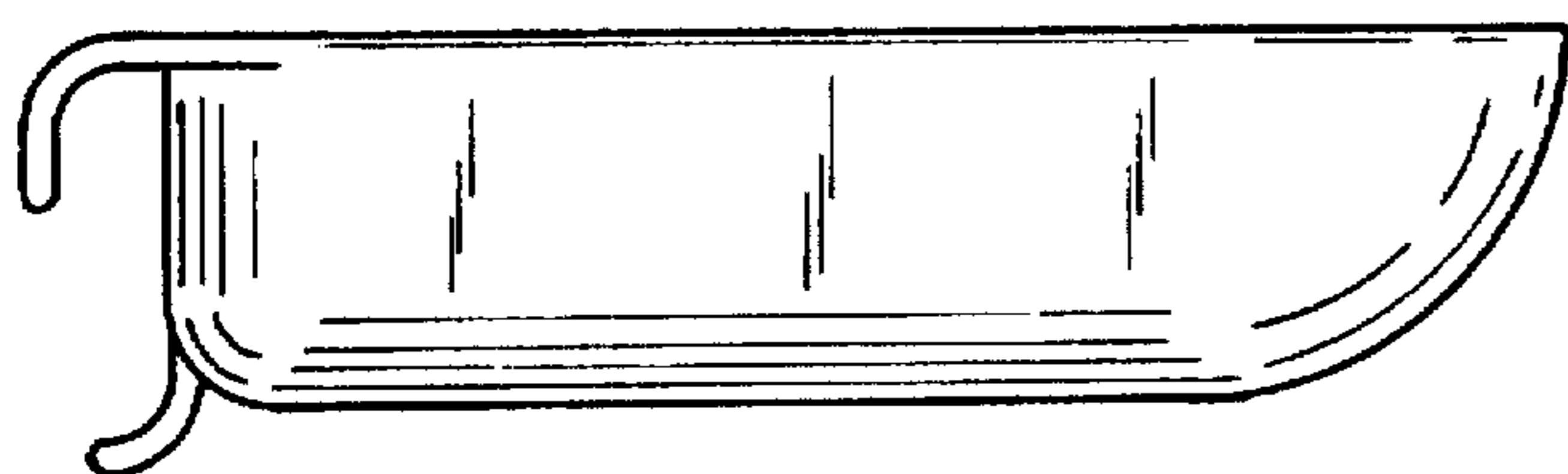


FIG. 5

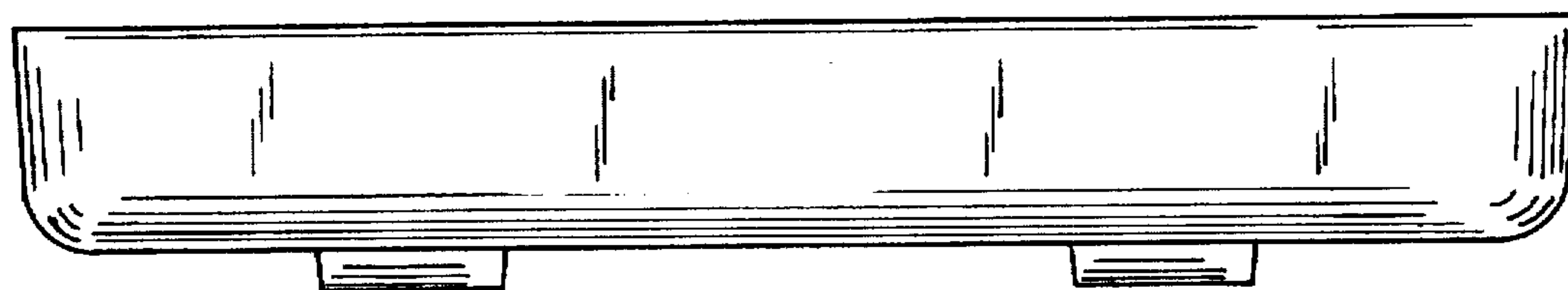


FIG. 6

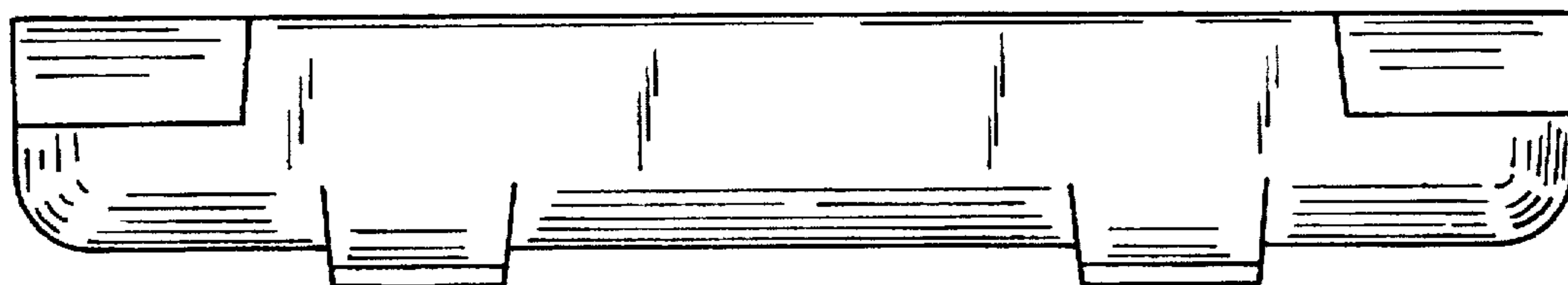


FIG. 7