



US00D392801S

United States Patent [19]

Hields et al.

[11] Patent Number: **Des. 392,801**

[45] Date of Patent: ****Mar. 31, 1998**

[54] **SKI CARRYING CASE**

[75] Inventors: **Paul W. R. Hields**, P.O. Box 502, Avon, Colo. 81620; **Justin Lang**; **James W. Schreiber**, both of Englewood, Colo.

[73] Assignee: **Paul W. R. Hields**, Avon, Colo.

[**] Term: **14 Years**

[21] Appl. No.: **69,760**

[22] Filed: **Apr. 22, 1997**

[51] LOC (6) Cl. **03-01**

[52] U.S. Cl. **D3/261**

[58] Field of Search D3/261, 204, 254; 224/910, 917; 206/315.1, 315.11, 317

[56] **References Cited**

U.S. PATENT DOCUMENTS

D. 257,913	1/1981	O'Dair	D3/261
D. 321,430	11/1991	Wirth	D3/261
D. 332,695	1/1993	Moscovitch	D3/261
D. 362,115	9/1995	Moneta	D3/261
D. 367,168	2/1996	Vincent	D3/261
D. 379,870	6/1997	Moneta	.	

Primary Examiner—Doris V. Coles
Assistant Examiner—Catherine R. Oliyer
Attorney, Agent, or Firm—Dorr, Carson, Sloan & Birney, P.C.

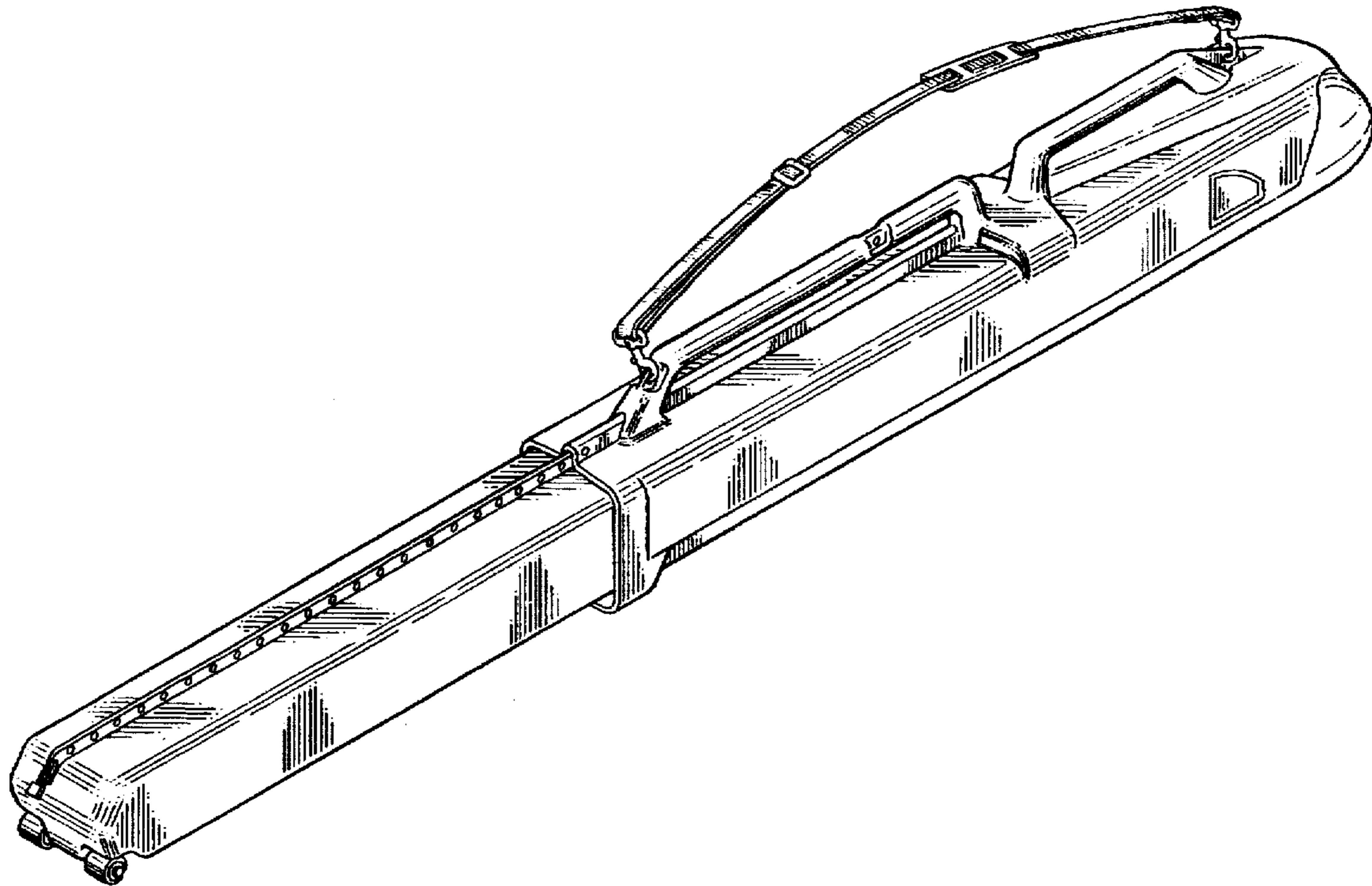
[57] **CLAIM**

The ornamental design for a ski carrying case, as shown and described.

DESCRIPTION

FIG. 1 is a front perspective view of a ski carrying case showing our new design;
FIG. 2 is a front elevational view thereof;
FIG. 3 is a top plan view thereof;
FIG. 4 is a rear elevational view thereof;
FIG. 5 is a bottom plan view thereof;
FIG. 6 is a right side view thereof;
FIG. 7 is a left side view thereof;
FIG. 8 is a front perspective view of an alternative embodiment of a ski carrying case showing our new design;
FIG. 9 is a front elevational view thereof;
FIG. 10 is a top plan view thereof;
FIG. 11 is a rear elevational view thereof;
FIG. 12 is a bottom plan view thereof;
FIG. 13 is a right side view thereof; and,
FIG. 14 is a left side view thereof.
The straps in FIGS. 3 and 10 are shown broken away for the convenience of illustration.

1 Claim, 8 Drawing Sheets



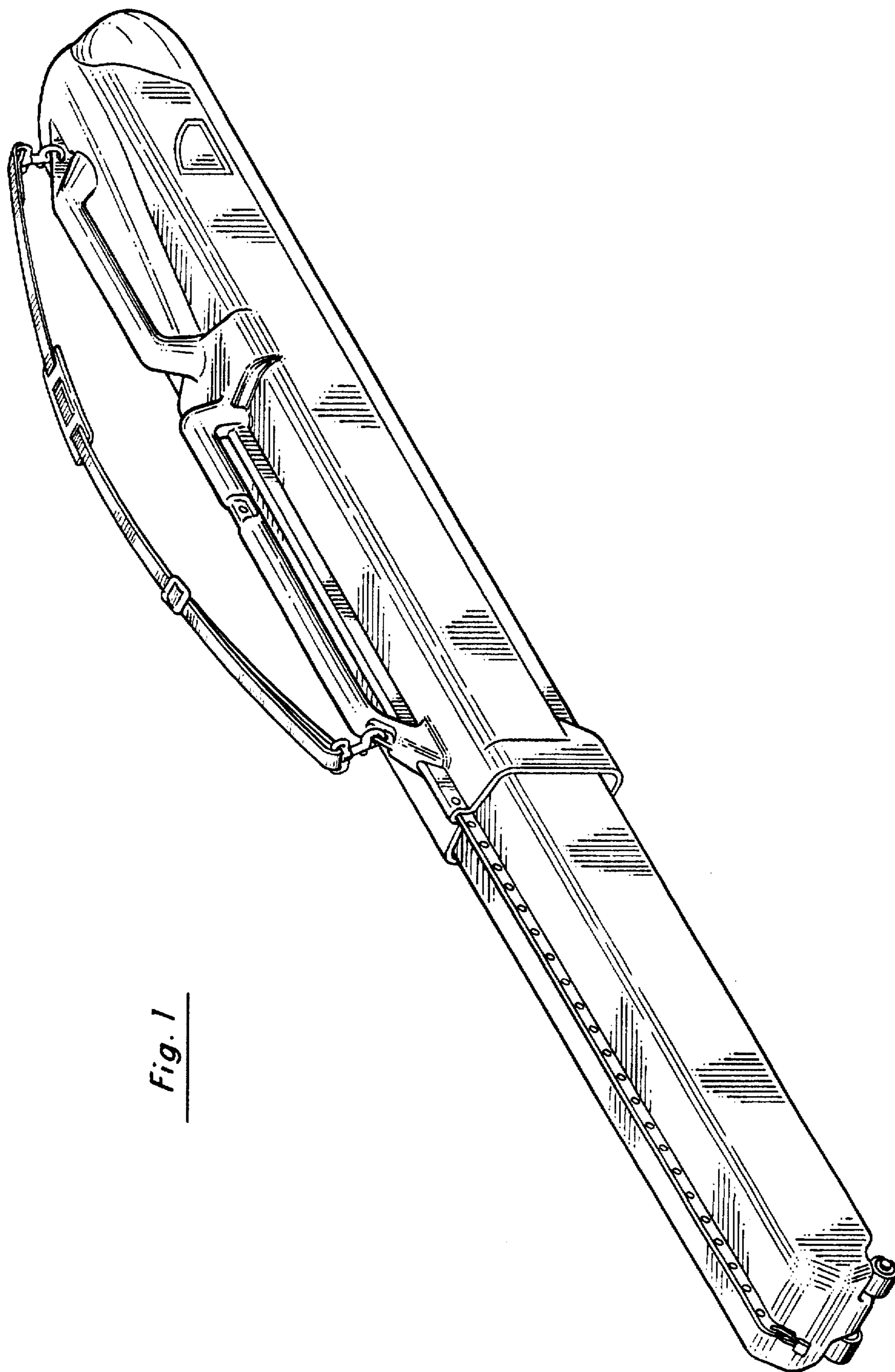


Fig. 1

Fig. 3

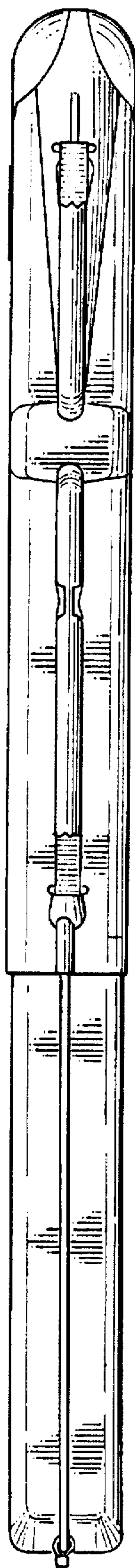
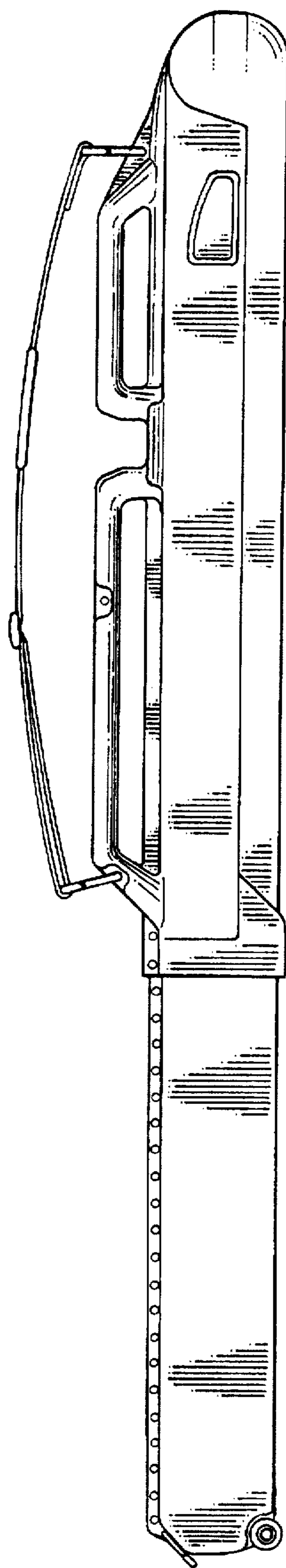


Fig. 2



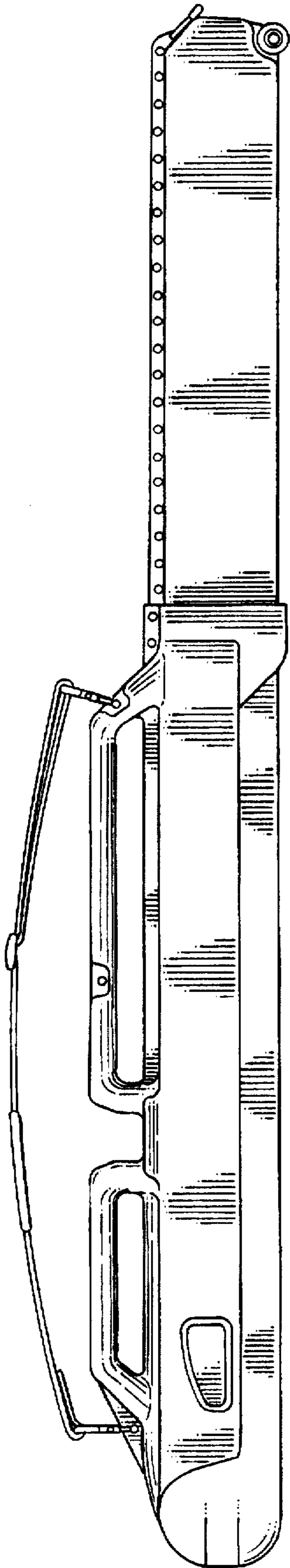


Fig. 4

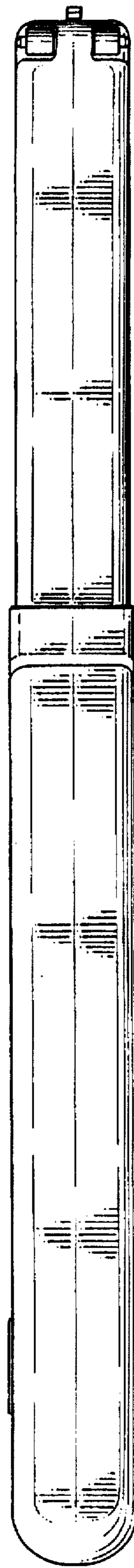


Fig. 5

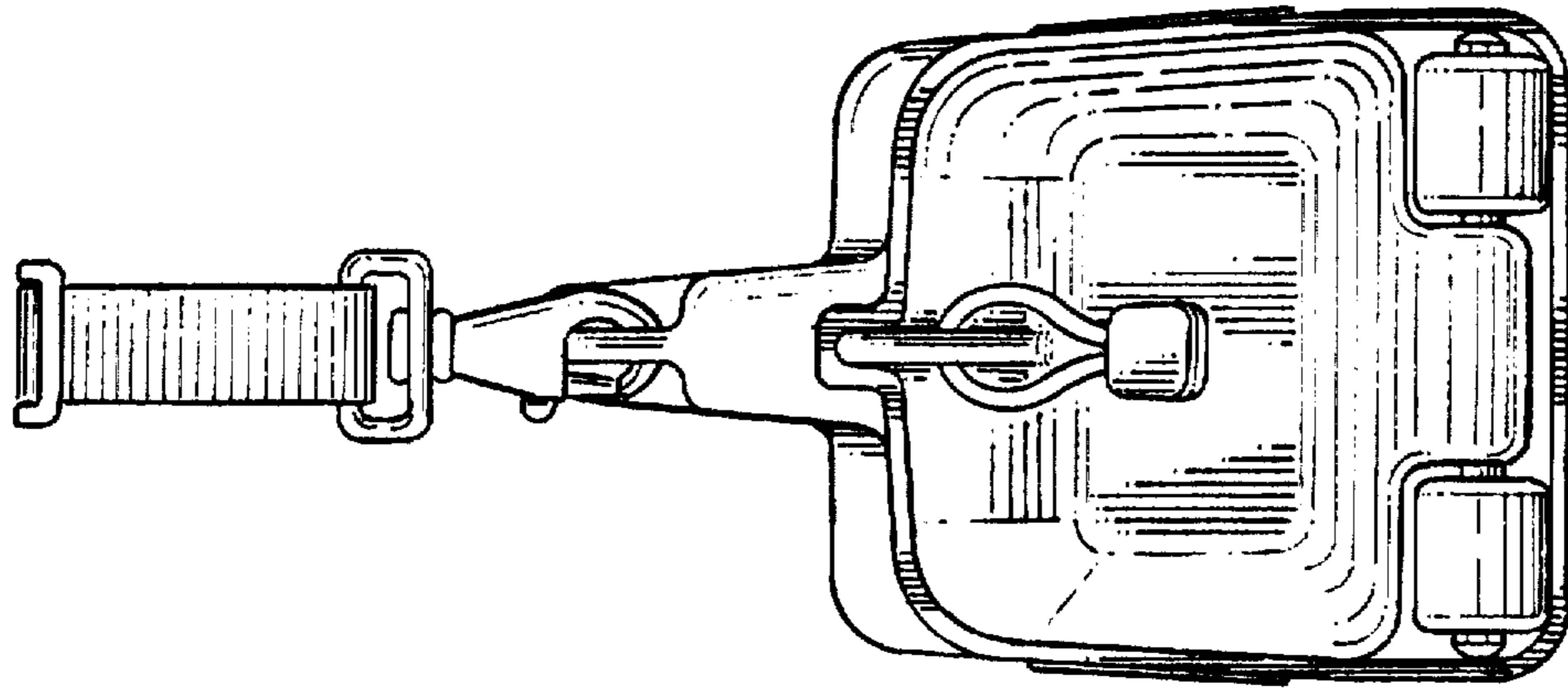


Fig. 7

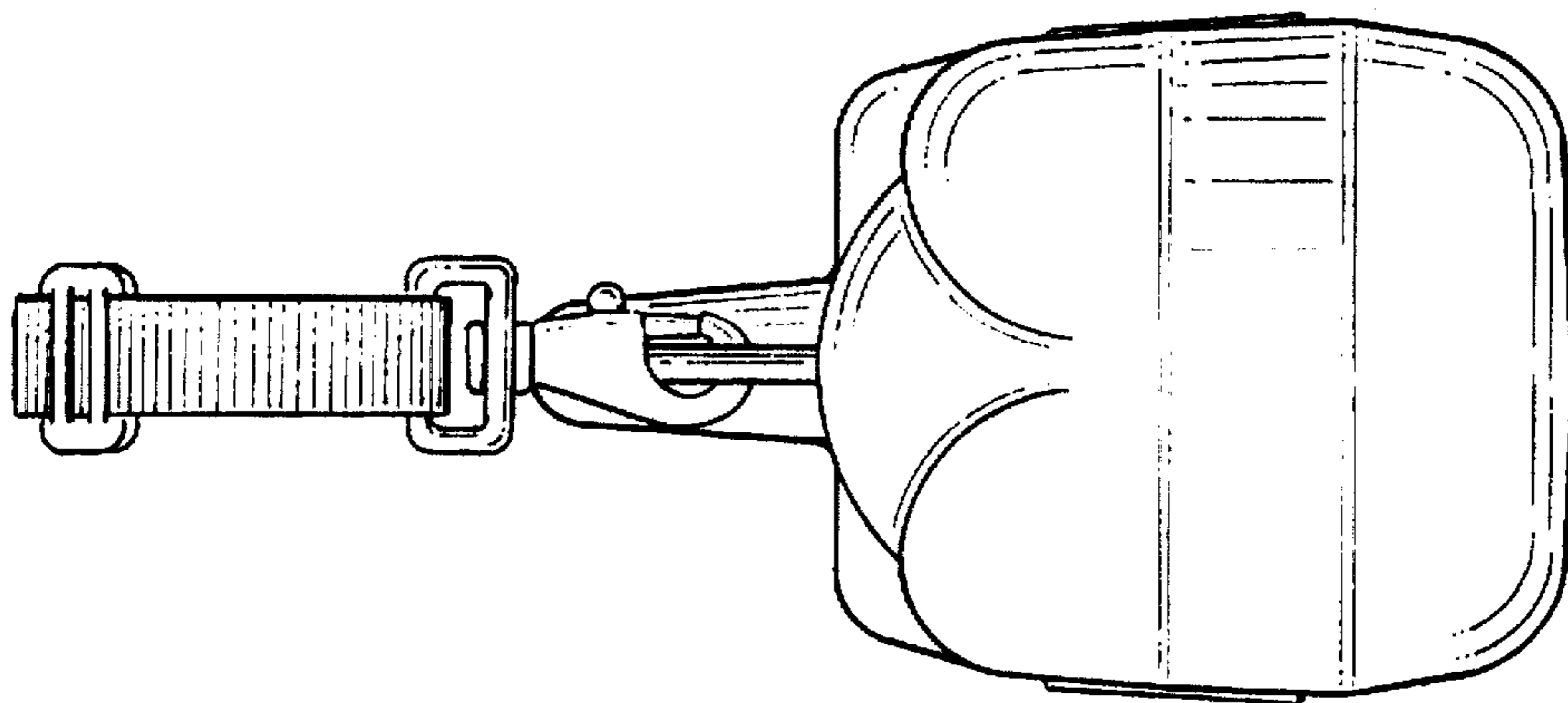


Fig. 6

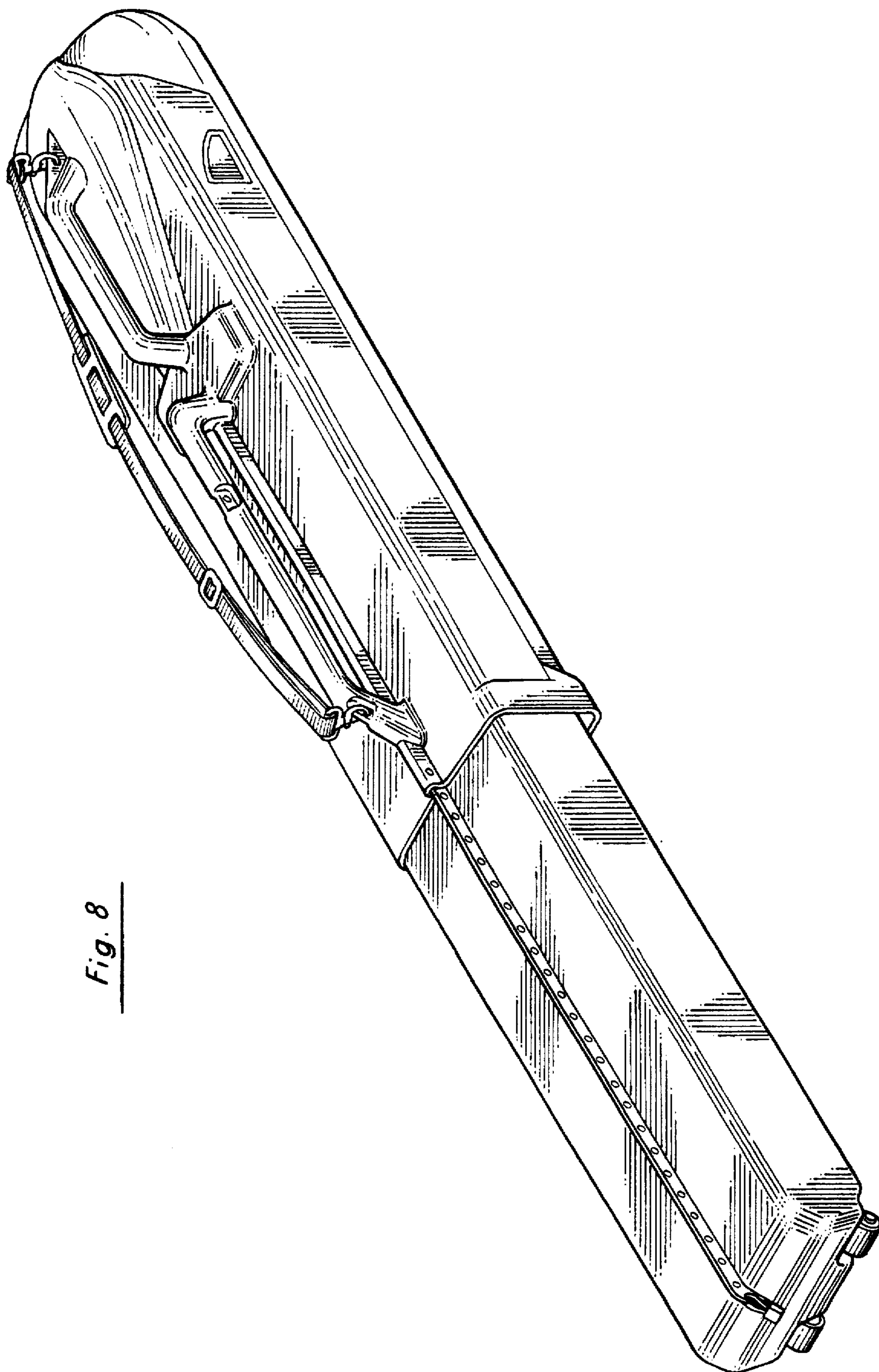


Fig. 8

Fig. 10

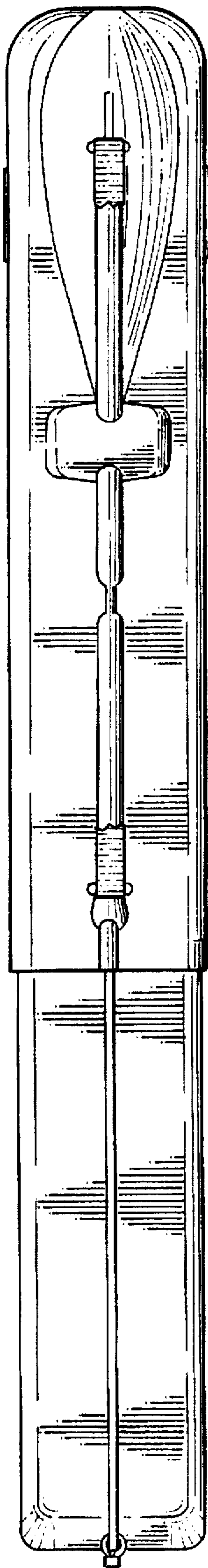
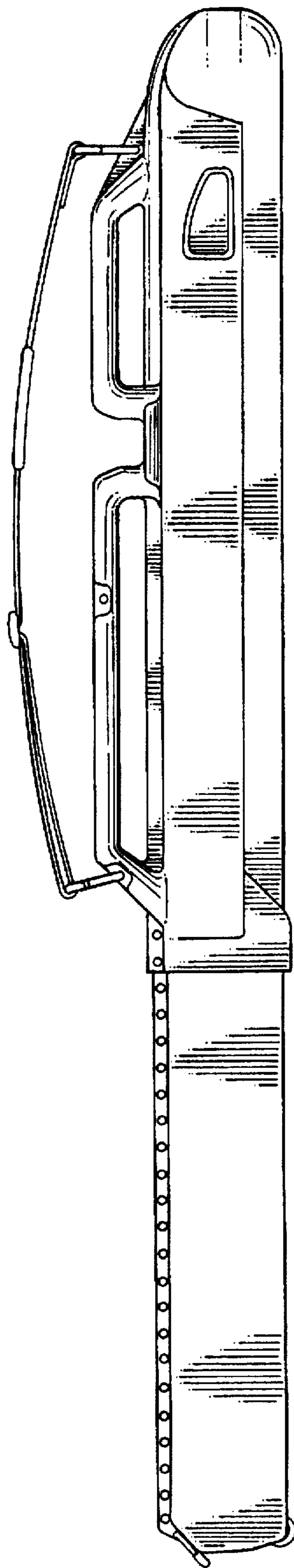


Fig. 9



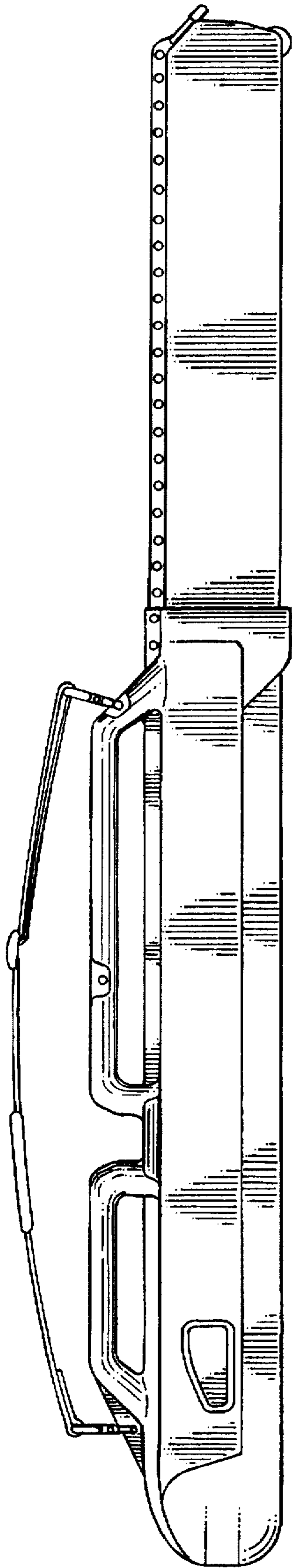


Fig. 11

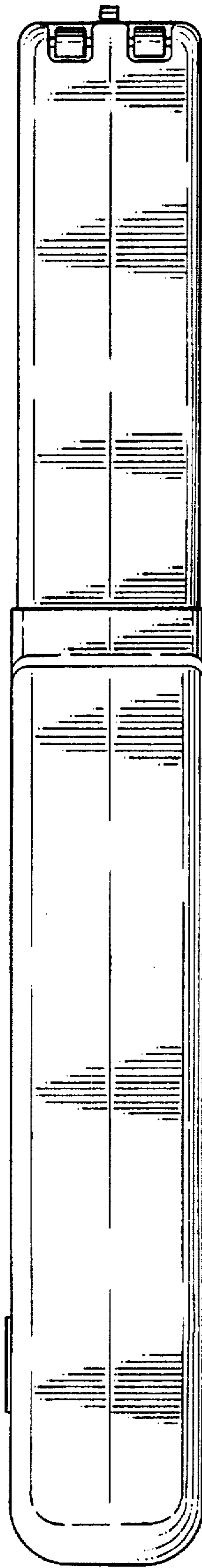


Fig. 12

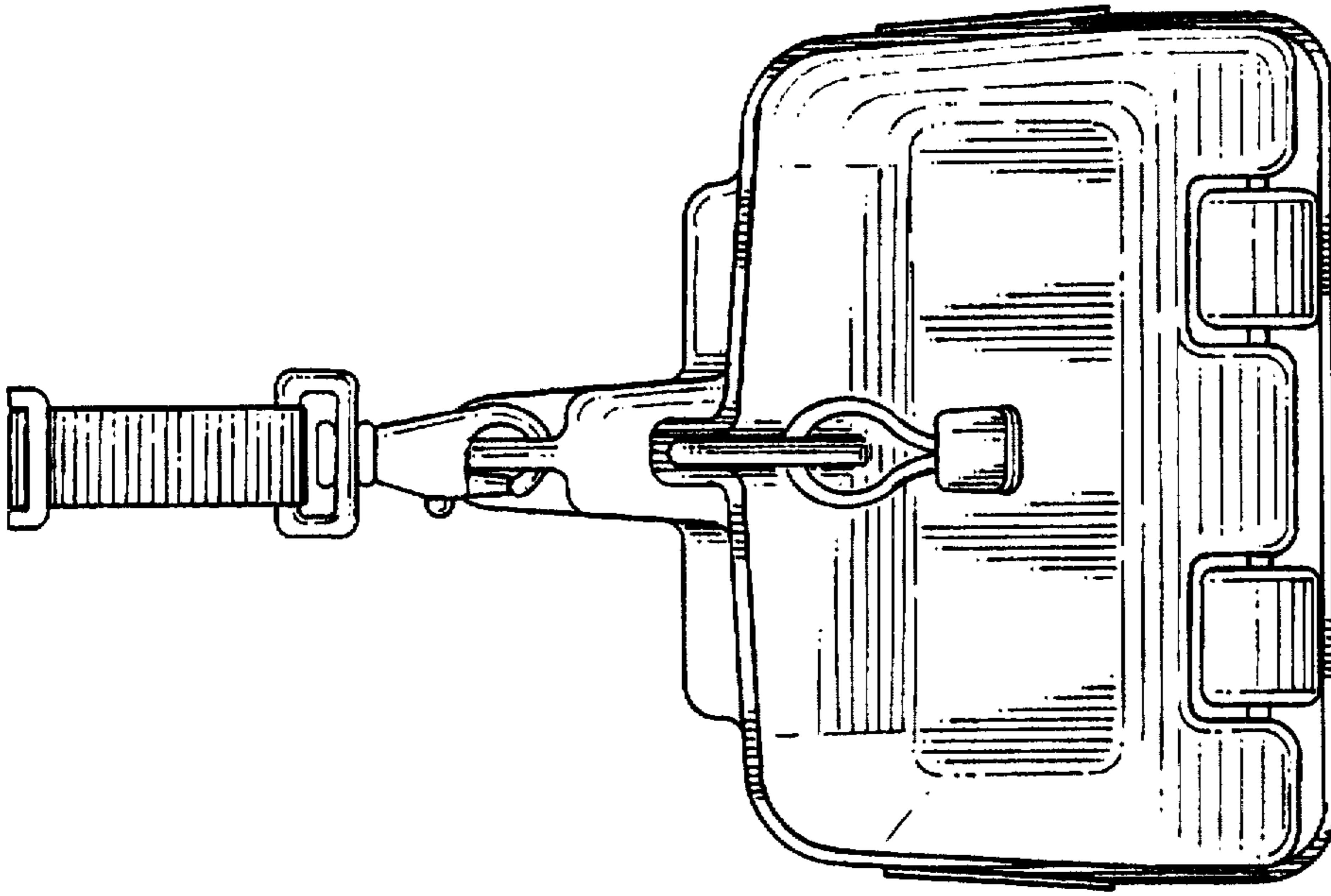


Fig. 14

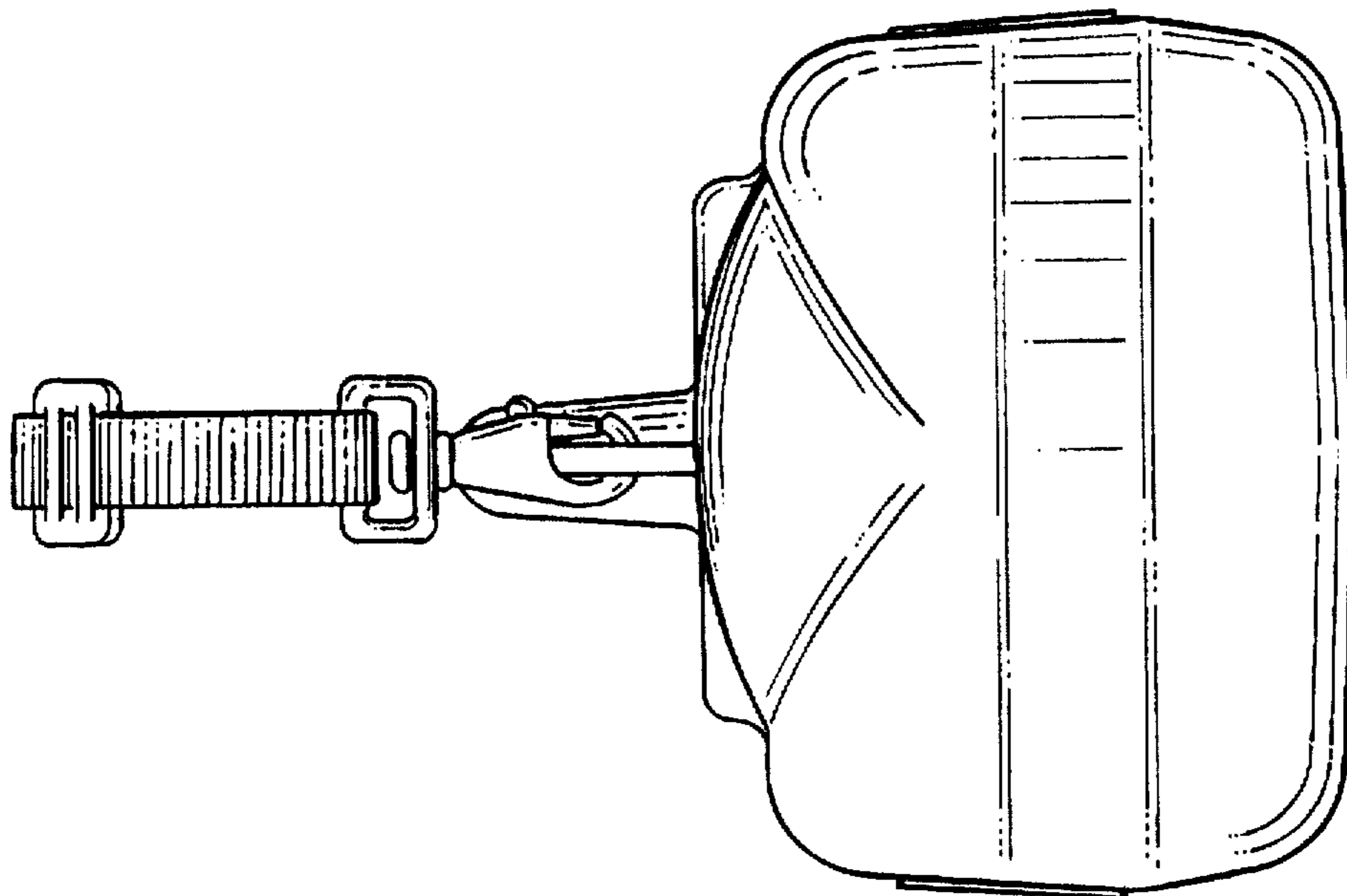


Fig. 13