

US00D392783S

United States Patent [19]
Eastman

[11] **Patent Number: Des. 392,783**

[45] **Date of Patent: **Mar. 24, 1998**

[54] **LOTTERY CARD SCRATCHER REMOVER**

[76] **Inventor: Deborah A. Eastman, 264 Stonecliffe Isle, Irvine, Calif. 92612**

[**] **Term: 14 Years**

[21] **Appl. No.: 68,032**

[22] **Filed: Mar. 18, 1997**

[51] **LOC (6) Cl. 08-05**

[52] **U.S. Cl. D32/46; D20/42**

[58] **Field of Search D32/35, 40, 42, D32/46, 49; D20/10, 43, 42; 40/642.02; D6/314; 30/169; 15/236.01, 236.06, 105**

[56] **References Cited**

U.S. PATENT DOCUMENTS

D. 268,350	3/1983	Cobb	D20/10	X
D. 279,201	6/1985	Shuman	D20/10	X
D. 362,691	9/1995	Roberts	D20/42	
D. 372,273	7/1996	Egan et al.	D20/42	
4,495,670	1/1985	Baker	15/236.02	
4,654,923	4/1987	Faciane et al.	15/236.01	
4,793,061	12/1988	Rizzo, Jr.	30/169	

4,881,291	11/1989	Ellis	15/236.01	
5,127,720	7/1992	Shultz	15/236.01	X
5,419,004	5/1995	Fox	15/236.01	

Primary Examiner—Brian N. Vinson
Assistant Examiner—Cynthia E. Ramirez
Attorney, Agent, or Firm—Christie, Parker & Hale, LLP

[57] **CLAIM**

The ornamental design for lottery card scratcher remover, as shown and described.

DESCRIPTION

FIG. 1 is a perspective view of a lottery card scratcher remover, showing my design;
FIG. 2 is a front elevational view thereof;
FIG. 3 is a back elevational view thereof;
FIG. 4 is a top plan view of the lottery card scratcher remover oriented as in FIG. 2;
FIG. 5 is a bottom plan view thereof;
FIG. 6 is a side elevational view of the left side of the lottery card scratcher remover oriented as in FIG. 2; and,
FIG. 7 is a side elevational view of the right side thereof.

1 Claim, 3 Drawing Sheets

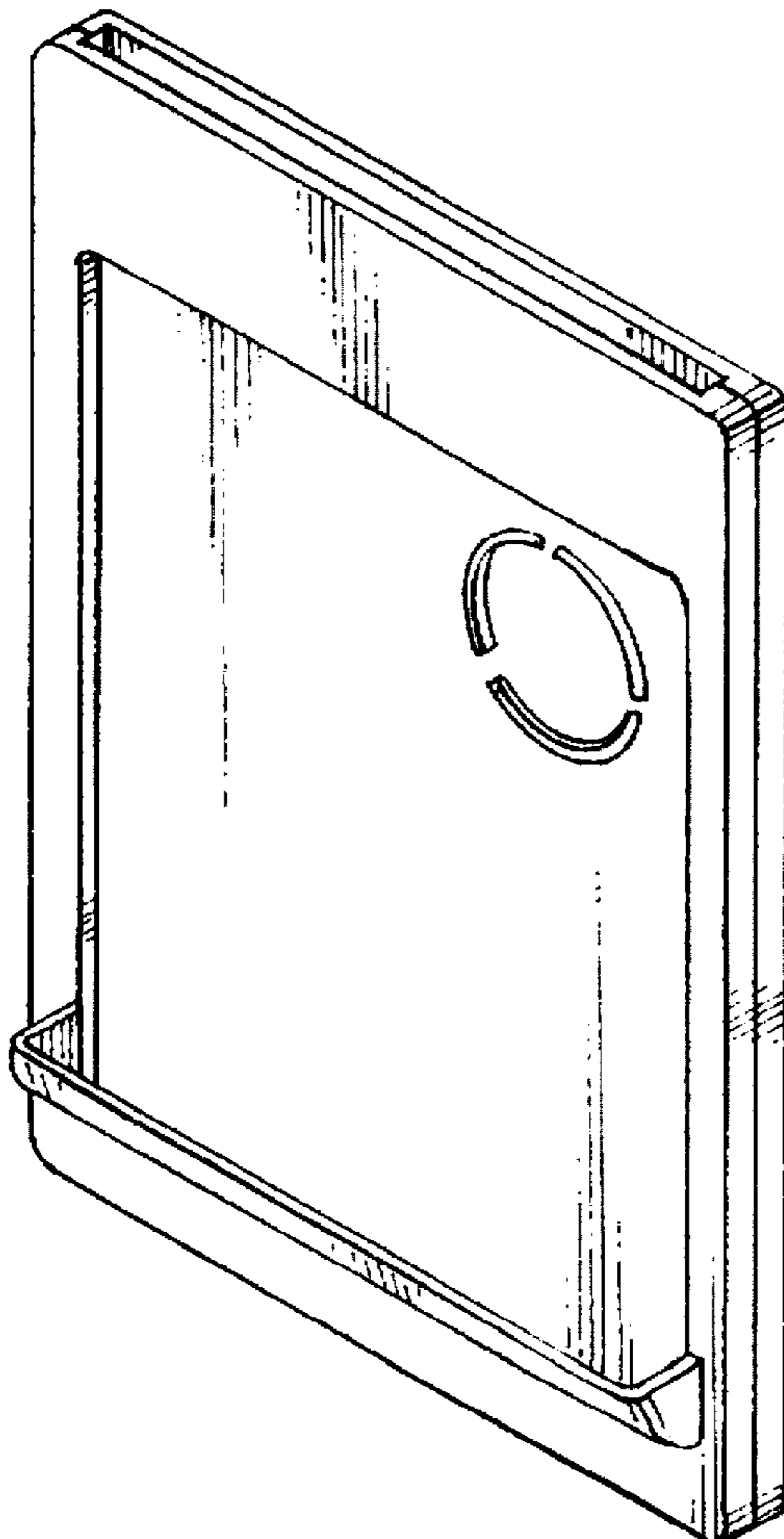


Fig. 1

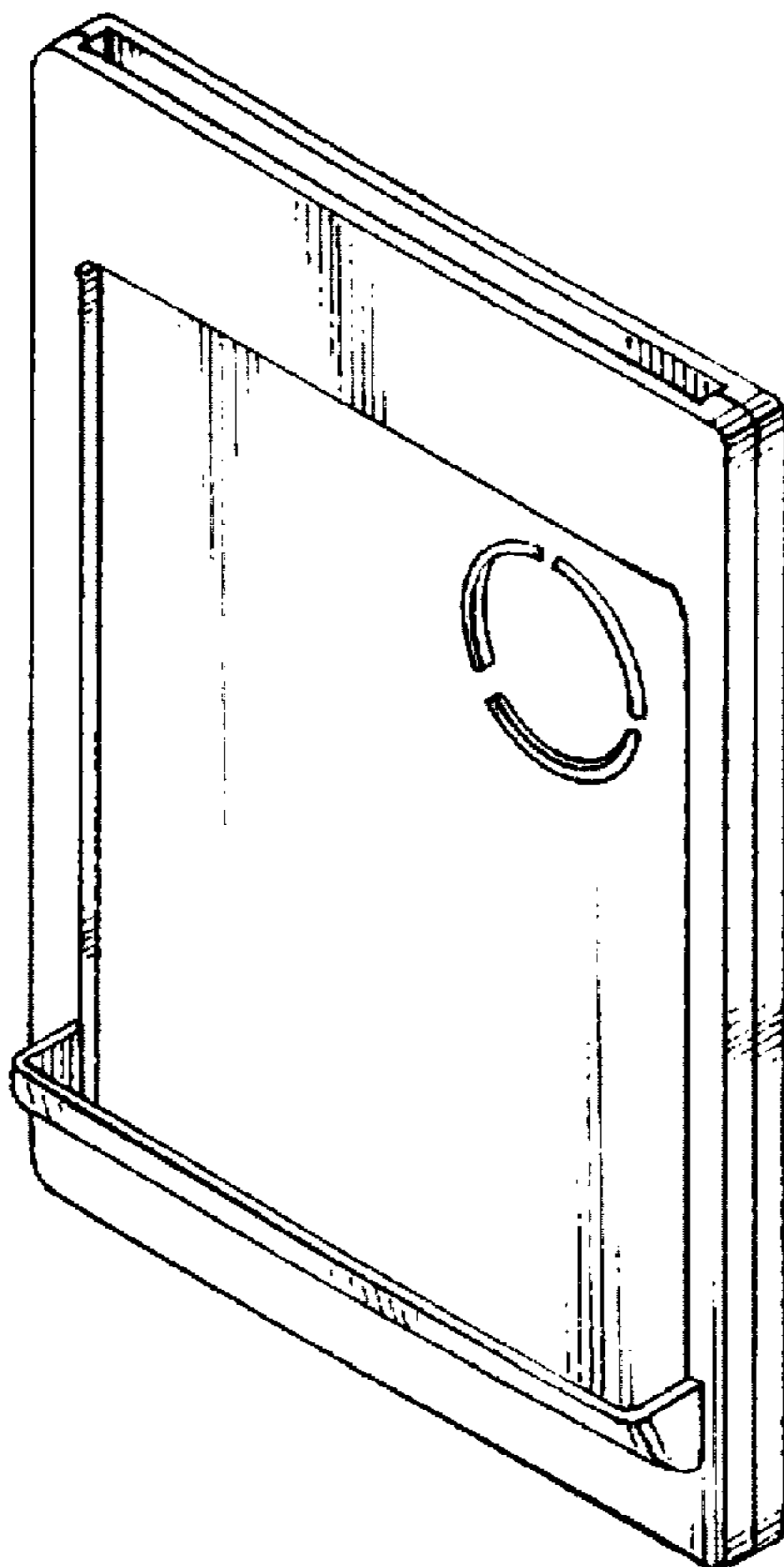


Fig. 2

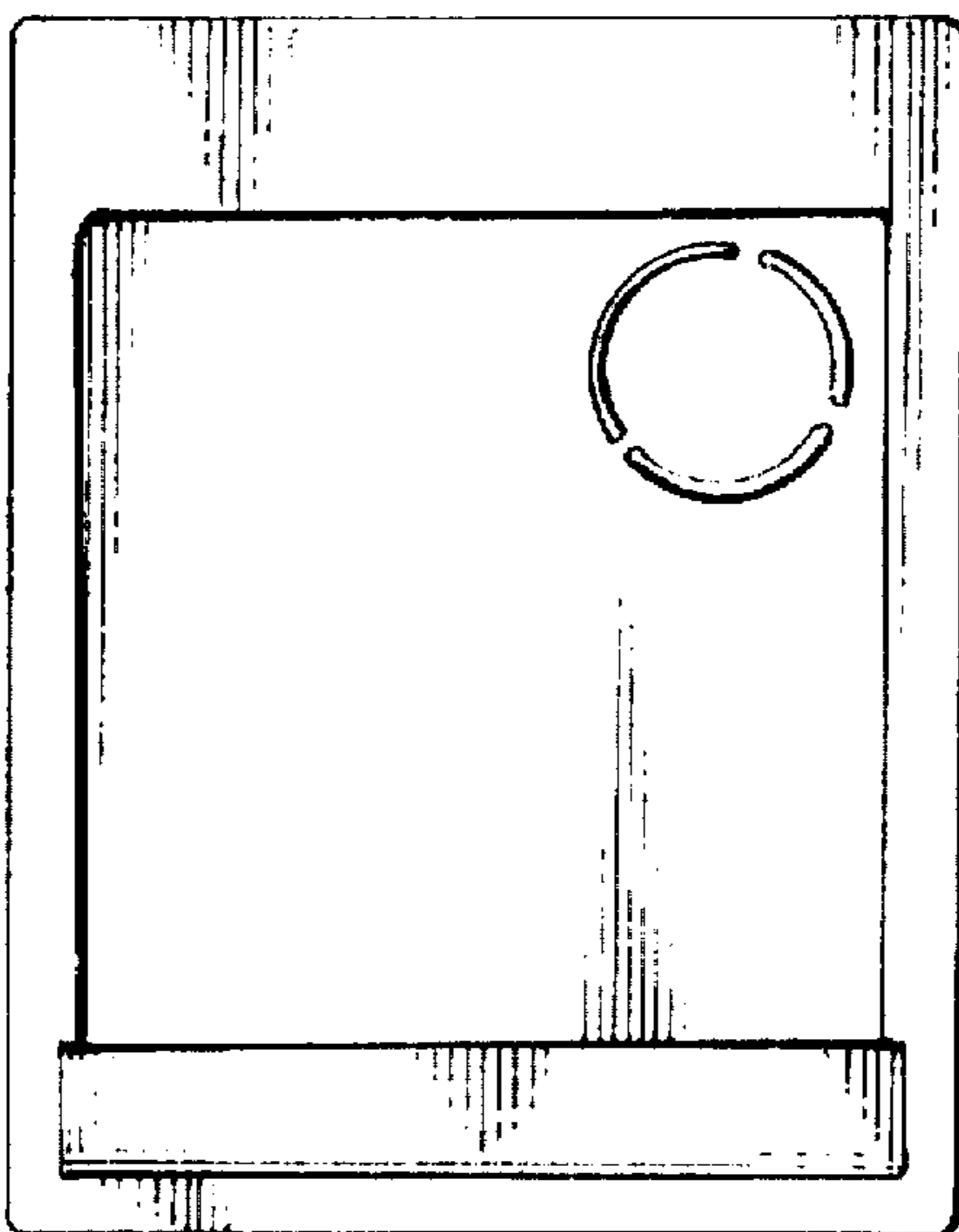


Fig. 3

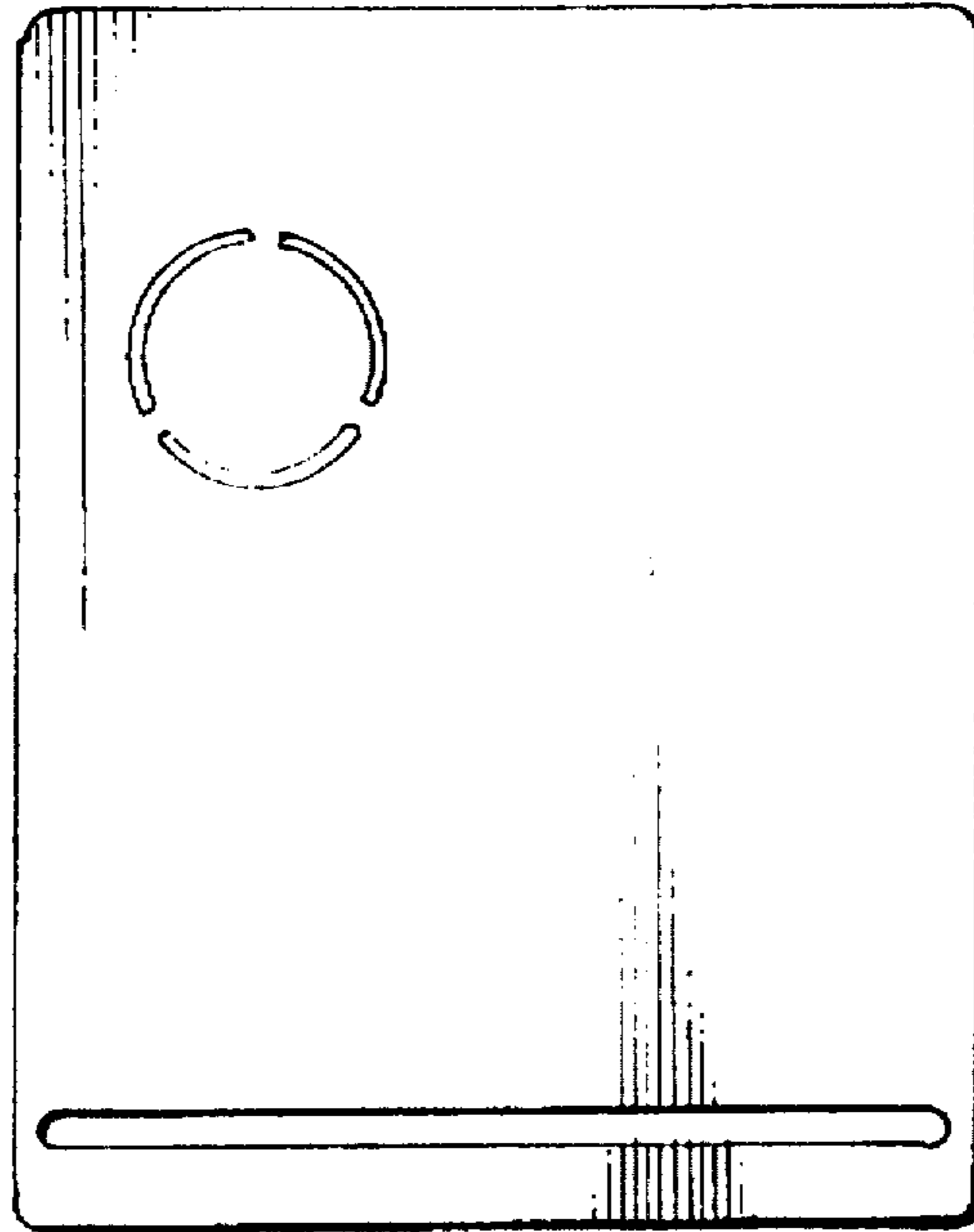


Fig. 4

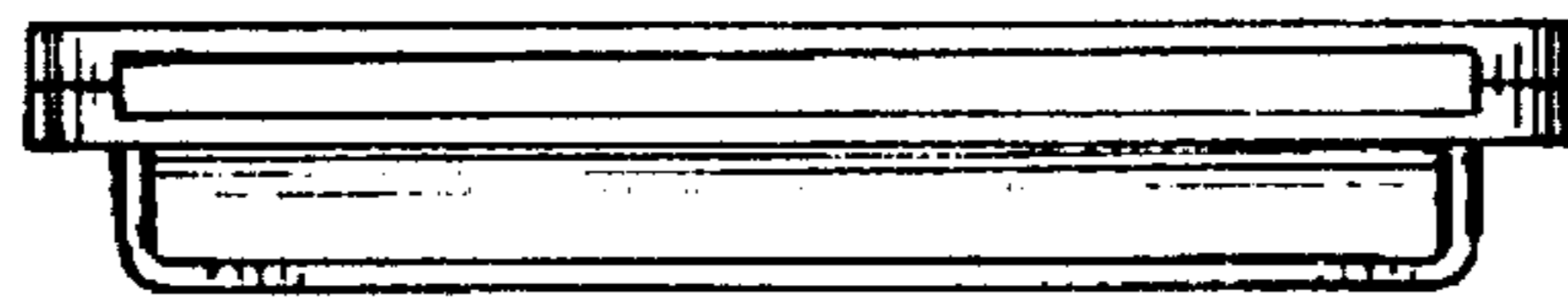


Fig. 5

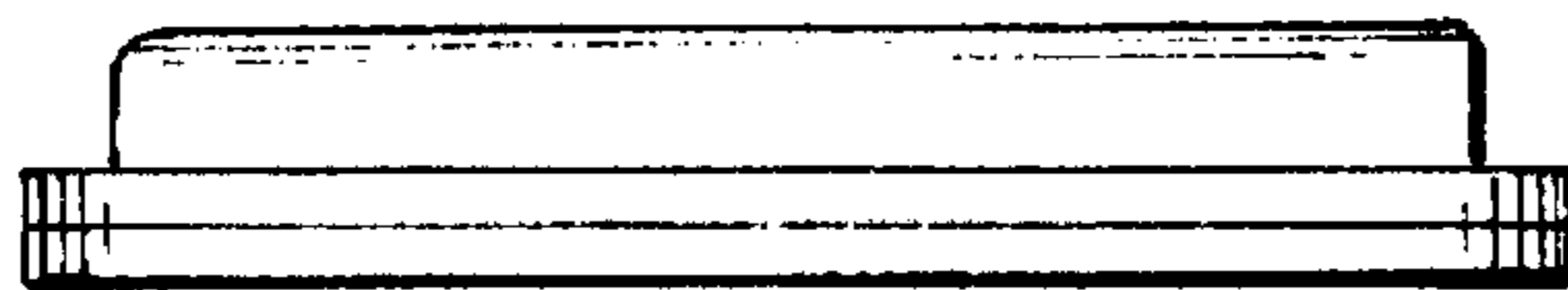


Fig. 6

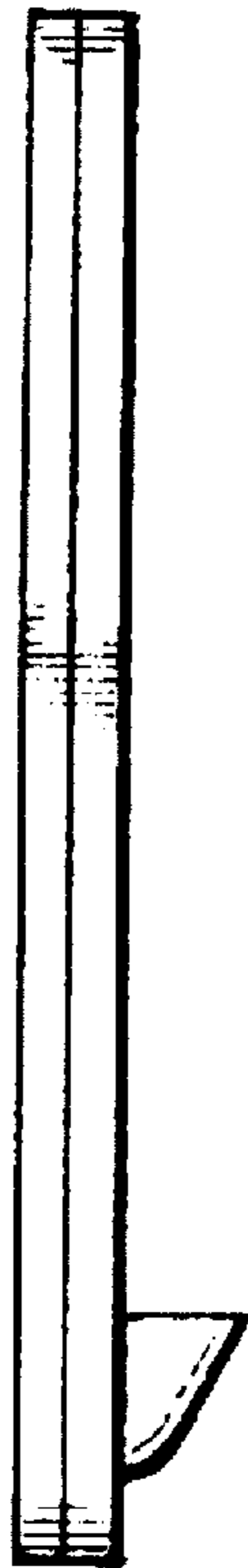


Fig. 7

