



US00D392779S

United States Patent [19]

Fedorka et al.

[11] Patent Number: **Des. 392,779**

[45] Date of Patent: ****Mar. 24, 1998**

[54] **HEADLIGHT CAP ASSEMBLY FOR VACUUM CLEANER OR SIMILAR ARTICLE**

[75] Inventors: **Thomas J. Fedorka**, Medina; **Denis Sankovic**, Euclid; **Joseph S. Gardner**, Painesville, all of Ohio; **Kenneth R. Parker**, Madison Heights, Mich.

[73] Assignee: **The Scott Fetzer Company**, Westlake, Ohio

[**] Term: **14 Years**

[21] Appl. No.: **57,294**

[22] Filed: **Jul. 22, 1996**

[51] LOC (6) Cl. **15-05**

[52] U.S. Cl. **D32/25**

[58] Field of Search D32/21, 22, 25; 362/31, 32, 91, 310; 15/320, 324

[56] **References Cited**

U.S. PATENT DOCUMENTS

- D. 116,221 8/1939 Dreyfuss D32/22
- D. 153,424 4/1949 Dreyfuss D32/22
- D. 154,027 6/1949 Dreyfuss D32/22

- D. 163,265 5/1951 Dreyfuss D32/22
- 5,107,565 4/1992 Chun 362/307 X
- 5,207,498 5/1993 Lawrence et al. 362/307 X
- 5,500,977 3/1996 McAllise et al. 15/320
- 5,575,035 11/1996 Reis et al. 15/324

OTHER PUBLICATIONS

Foodservice equipment specialists; p. 22; "Hoover" vacuum, top center of page, Feb. 1983.

Primary Examiner—Ted Shooman
Assistant Examiner—Mitchell I. Siegel
Attorney, Agent, or Firm—Jones, Day, Reavis & Pogue

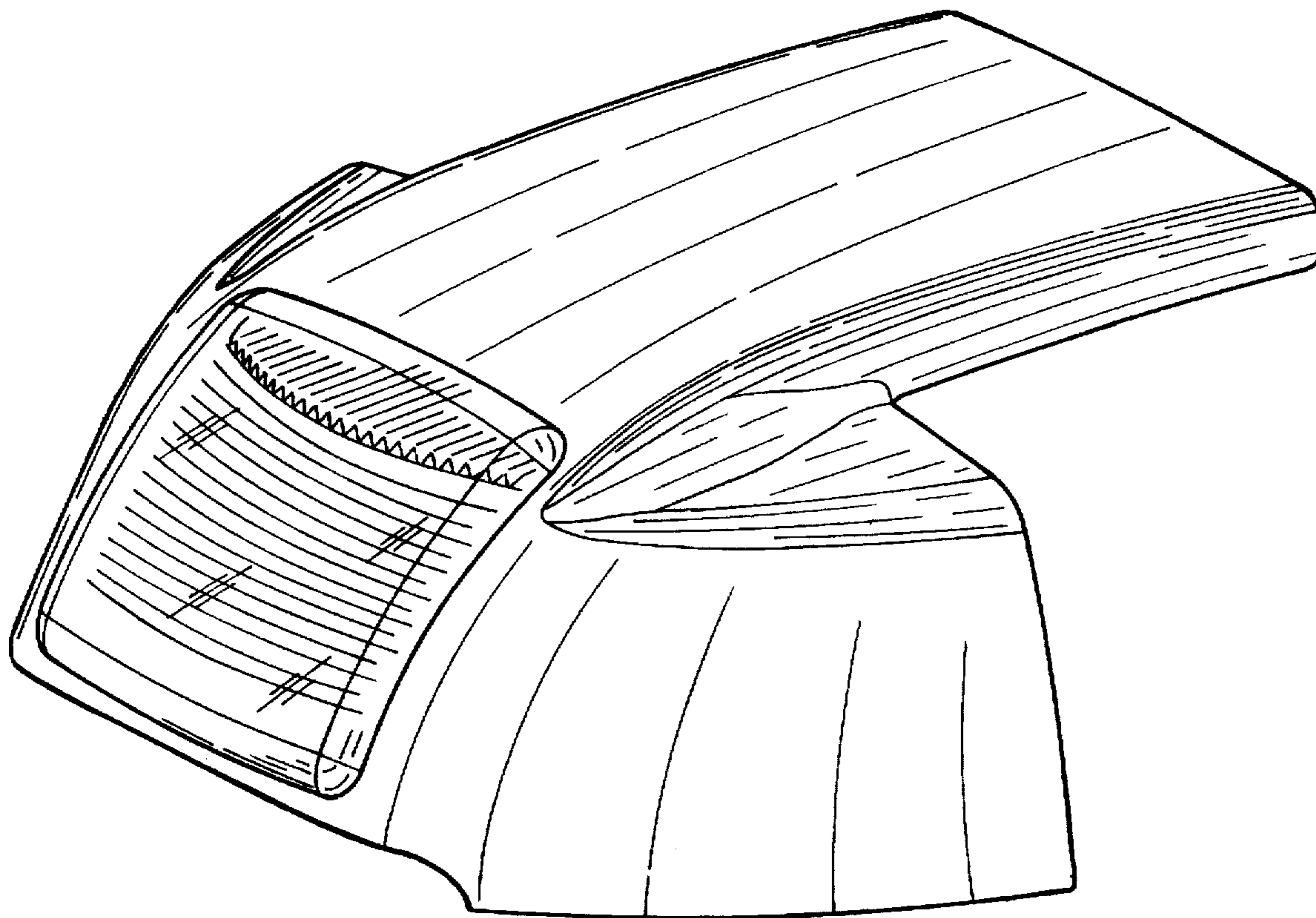
[57] **CLAIM**

The ornamental design for a headlight cap assembly for vacuum cleaner or similar article, as shown and described.

DESCRIPTION

FIG. 1 is a top perspective view of a headlight cap embodying the subject invention;
FIG. 2 is a right side view thereof, the undisclosed opposite side being a mirror image thereof;
FIG. 3 is a front plan view thereof; and,
FIG. 4 is a top plan view thereof.

1 Claim, 4 Drawing Sheets



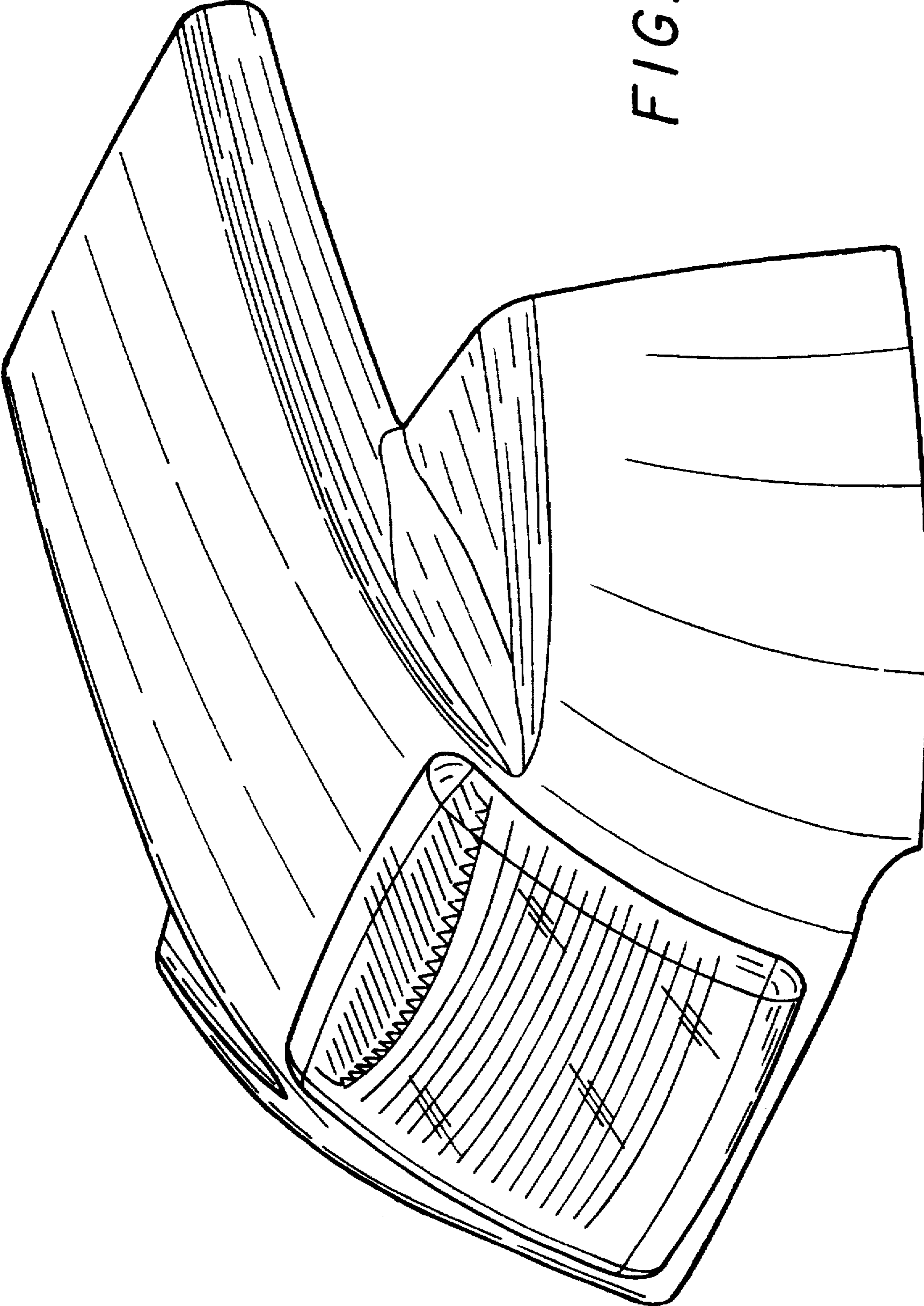


FIG. 1

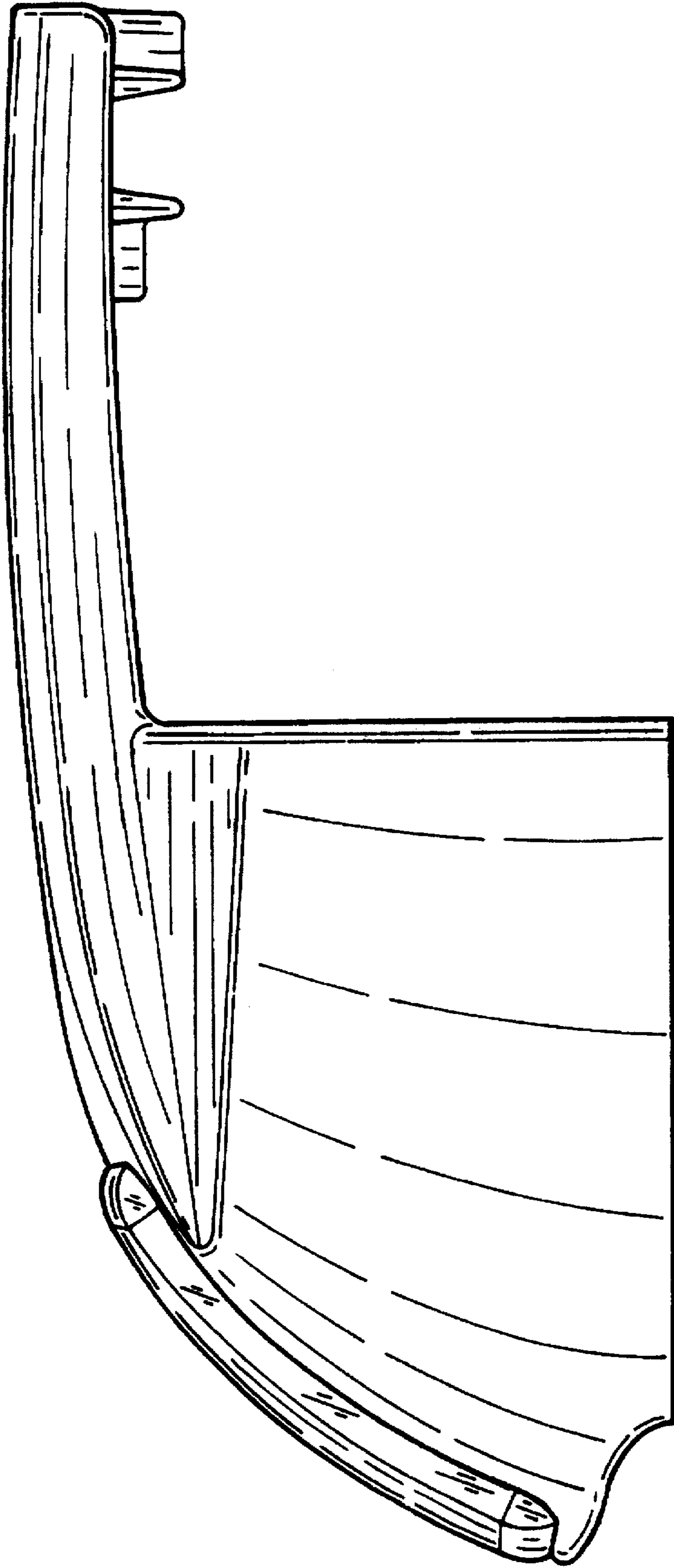


FIG. 2

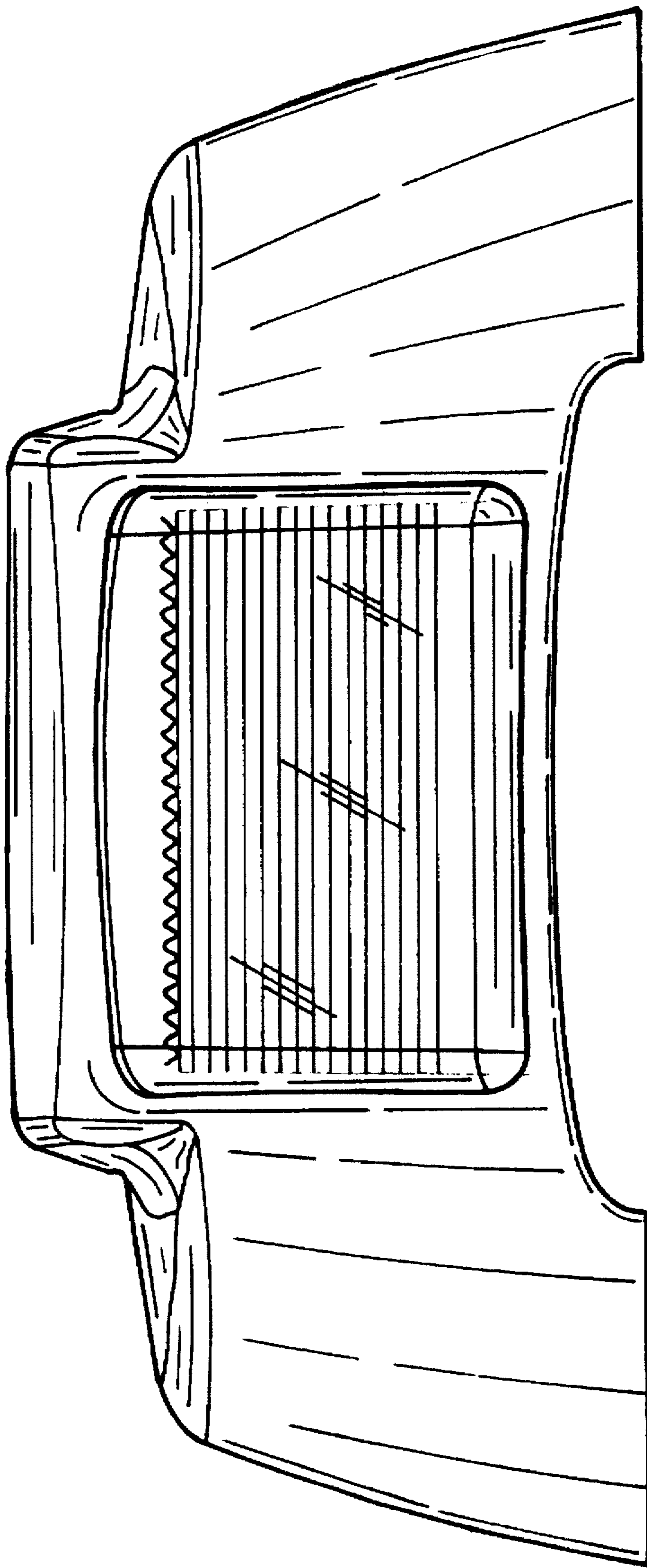


FIG. 3

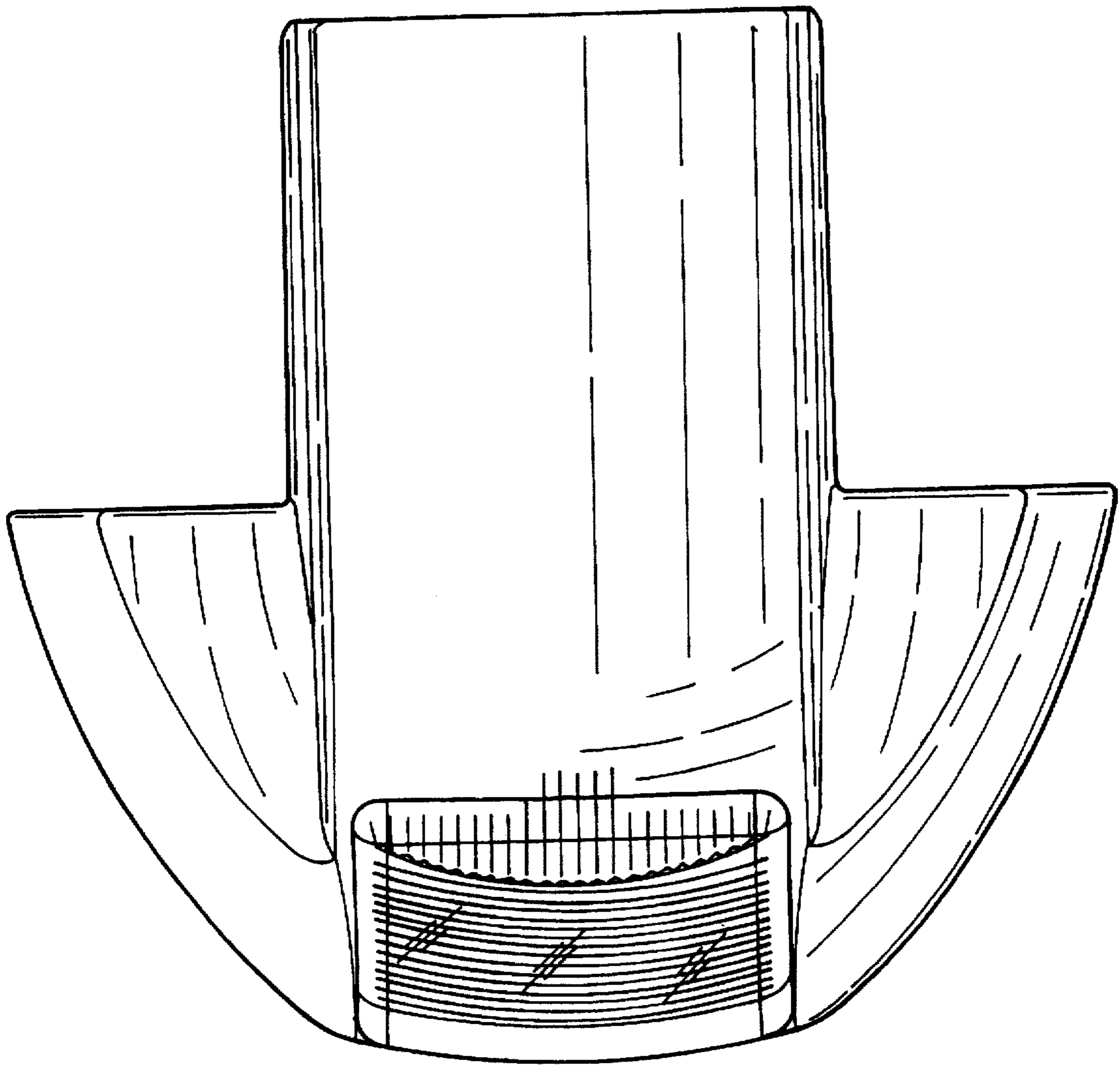


FIG. 4