



US00D392778S

# United States Patent [19] McCracken

[11] Patent Number: **Des. 392,778**  
[45] Date of Patent: **\*\*Mar. 24, 1998**

[54] **RIGHT ANGLE WAXER**

[75] Inventor: **Robert E. McCracken, Tampa, Fla.**

[73] Assignee: **Waxing Corporation of America, Elmhurst, Ill.**

[\*\*] Term: **14 Years**

[21] Appl. No.: **62,119**

[22] Filed: **Nov. 7, 1996**

[51] LOC (6) Cl. .... **15-05**

[52] U.S. Cl. .... **D32/19**

[58] Field of Search ..... **D32/15, 17, 19;**  
**451/357, 451, 344; 15/22.1, 22.2, 22.4,**  
**98, 52.1, 209.1, 230.17**

[56] **References Cited**

**U.S. PATENT DOCUMENTS**

D. 295,253	4/1988	Ashworth	.....	D32/19
D. 312,714	12/1990	Simonelli et al.	.....	D32/19
D. 313,094	12/1990	Itaya et al.	.....	D32/19
D. 317,667	6/1991	Bolser et al.	.....	D32/19
D. 332,734	1/1993	Fushiya et al.	.....	D32/19
D. 338,754	8/1993	Skrzypek et al.	.....	D32/19
D. 349,789	8/1994	Bunyea	.....	D32/19
D. 378,002	2/1997	Hung	.....	D32/19
4,102,084	7/1978	Bloomquist	.....	D32/19

5,419,737	5/1995	Brazell et al.	.....	D32/19
5,595,531	1/1997	Niemela et al.	.....	D32/19

*Primary Examiner*—Ruth McInroy  
*Attorney, Agent, or Firm*—Fitch, Even, Tabin & Flannery

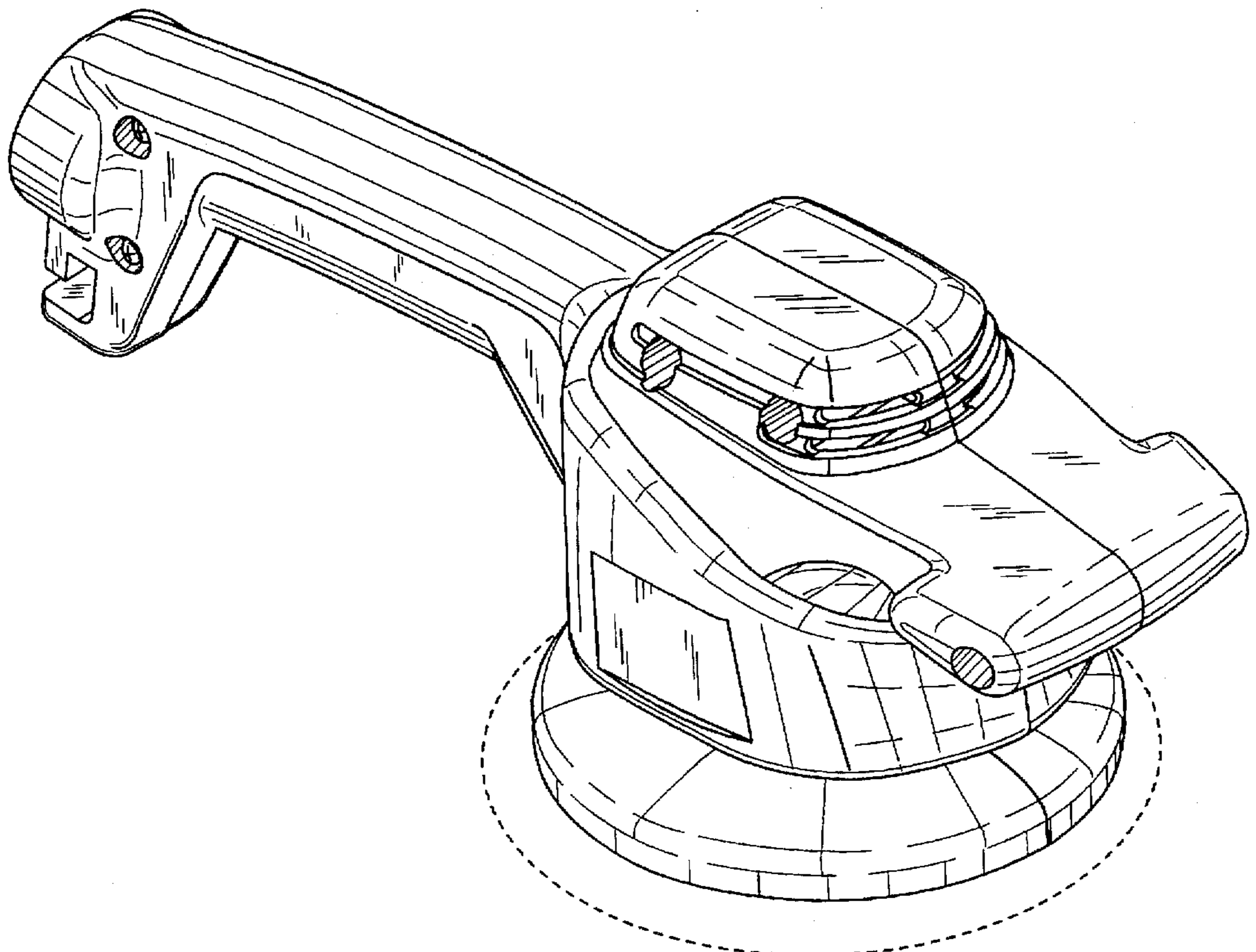
[57] **CLAIM**

The ornamental design for a right angle waxer, as shown and described.

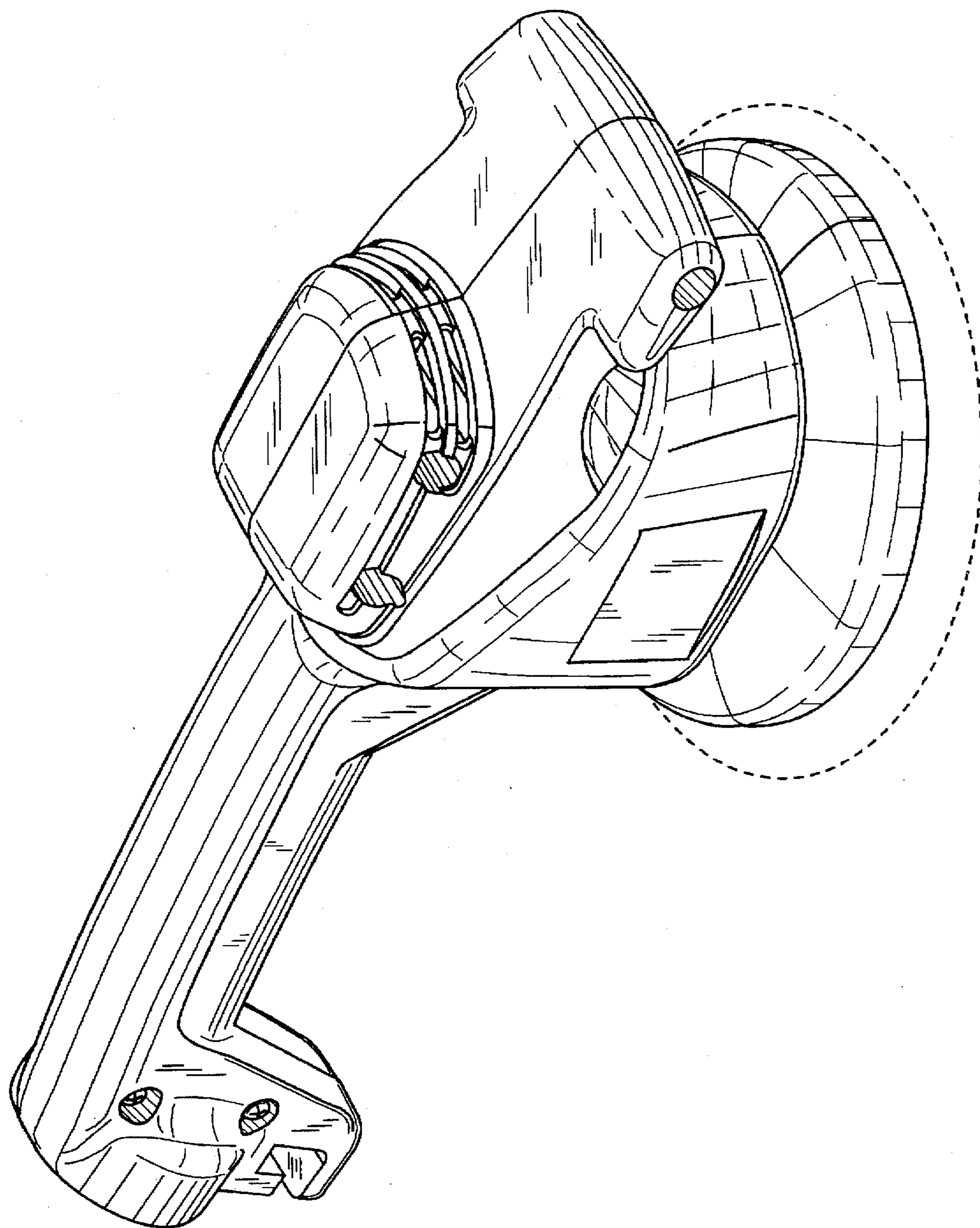
**DESCRIPTION**

FIG. 1 is a perspective view of a right angle waxer showing my new design;  
 FIG. 2 is a right side elevational view of the right angle waxer of FIG. 1;  
 FIG. 3 is a left side elevational view of the right angle waxer of FIG. 1;  
 FIG. 4 is a front elevational view of the right angle waxer of FIG. 1;  
 FIG. 5 is a rear elevational view of the right angle waxer of FIG. 1;  
 FIG. 6 is a top plan view of the right angle waxer of FIG. 1;  
 and,  
 FIG. 7 is a bottom plan view of the right angle waxer of FIG. 1.  
 The pad shown in broken lines in all views is for illustrative purposes only and forms no part of the claimed design.

**1 Claim, 4 Drawing Sheets**



*Fig. 1*



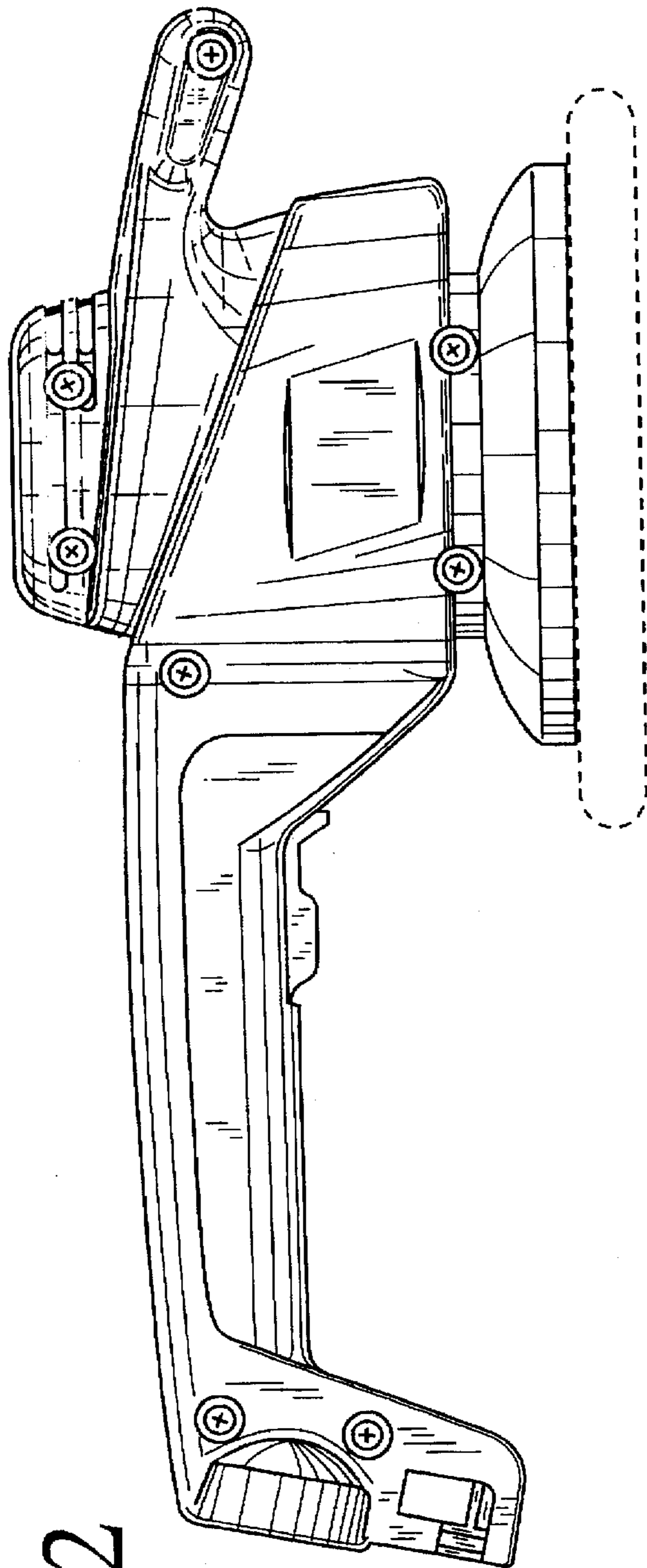


Fig. 2

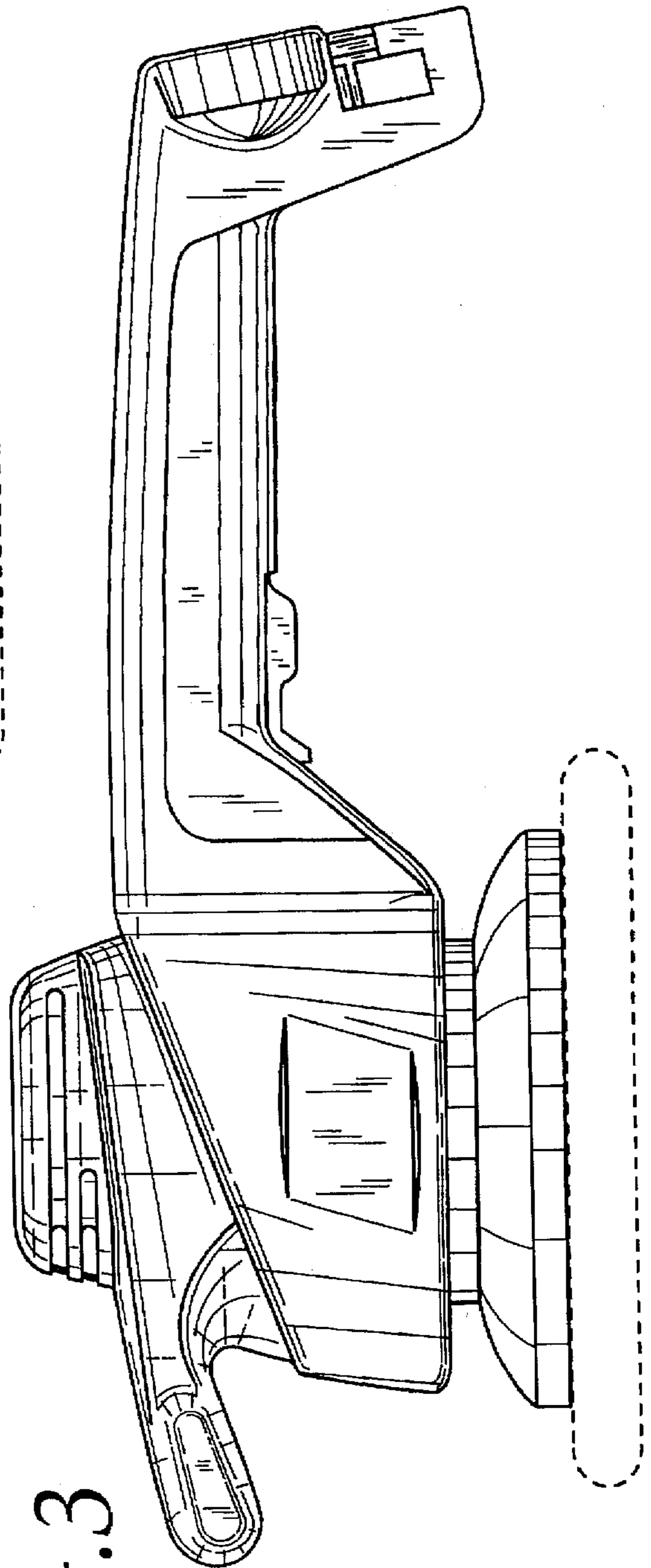
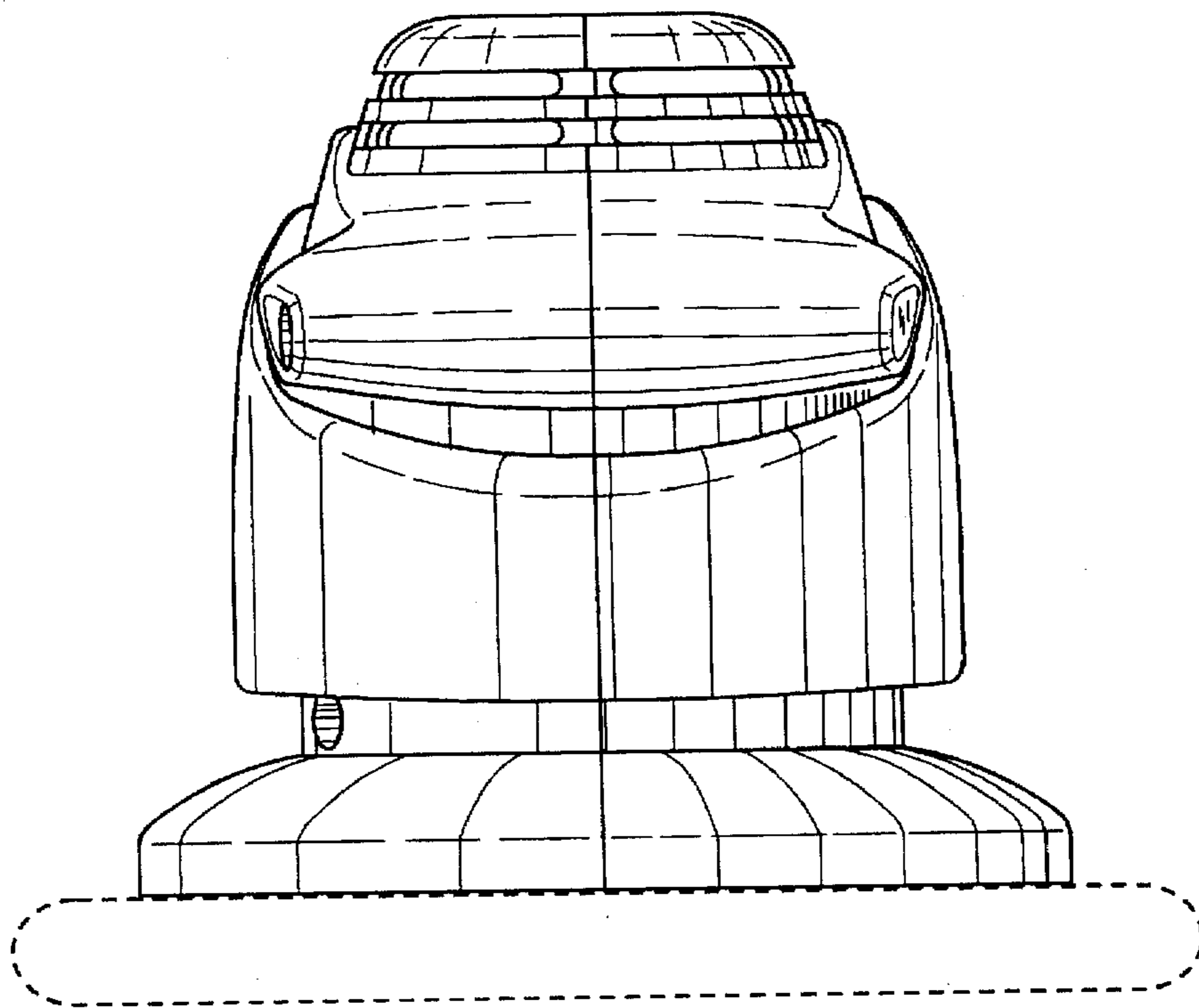
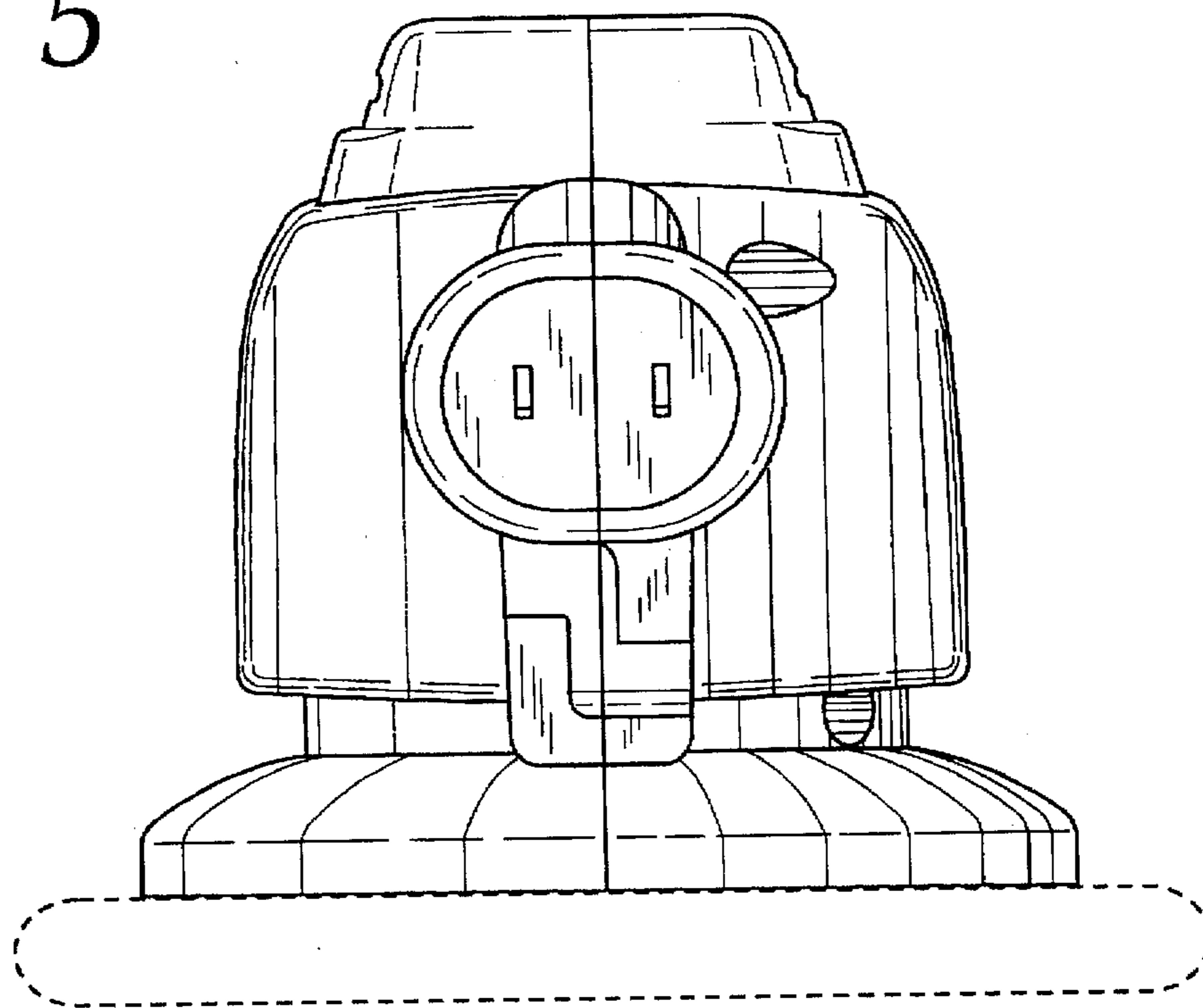


Fig. 3

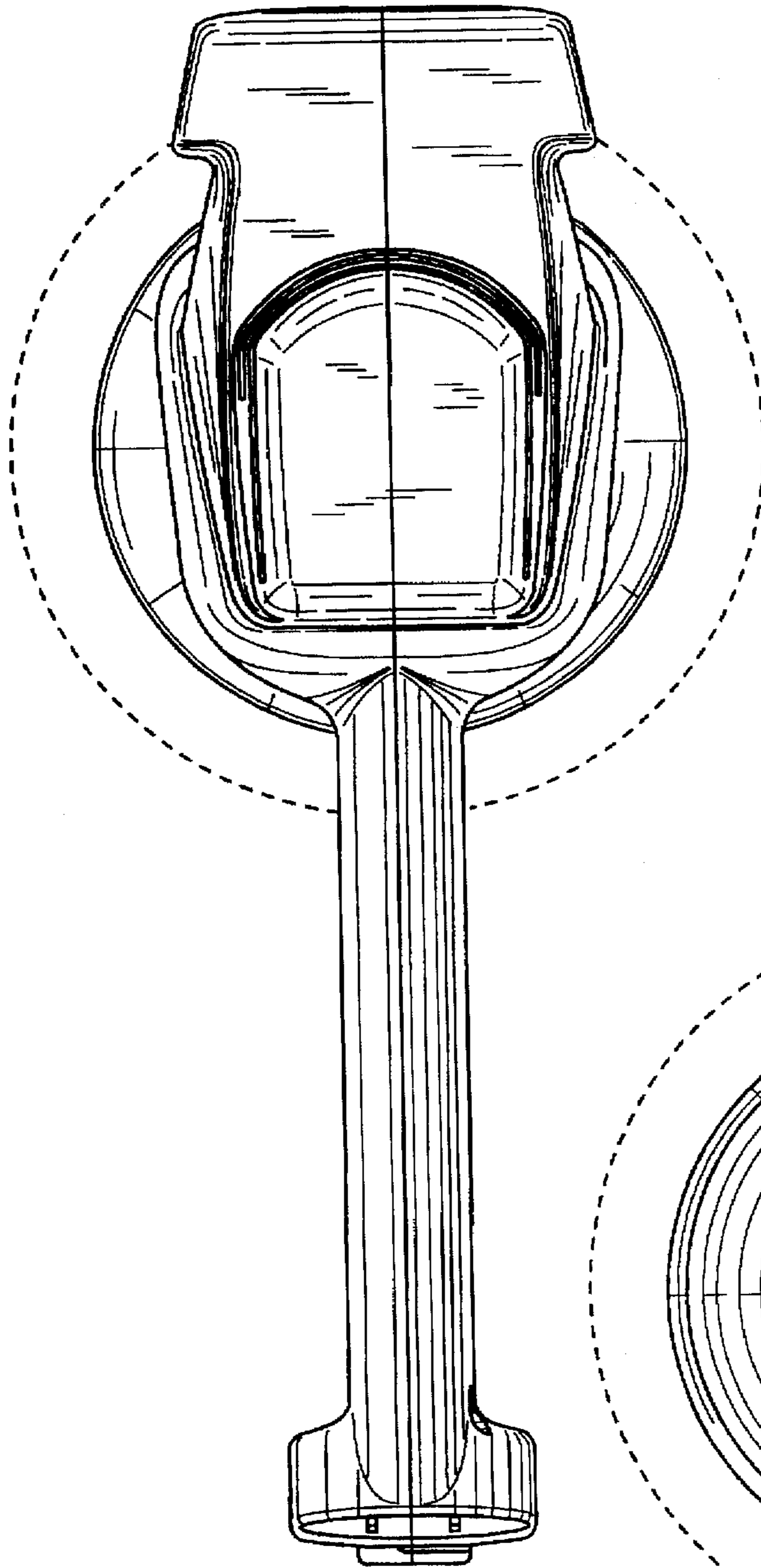
*Fig. 4*



*Fig. 5*



*Fig. 6*



*Fig. 7*

