

US00D392777S

United States Patent [19]
Scribner

[11] **Patent Number: Des. 392,777**

[45] **Date of Patent: **Mar. 24, 1998**

[54] **HAY FEEDER**

FOREIGN PATENT DOCUMENTS

[76] Inventor: **Richard L. Scribner**, 2483-B
Mercantile Dr., Rancho Cordova, Calif.
95742

101990 12/1925 Germany D30/121

Primary Examiner—Cathy Anne MacCormac
Attorney, Agent, or Firm—Mark C. Jacobs

[**] Term: **14 Years**

[57] **CLAIM**

[21] Appl. No.: **64,489**

The ornamental design for a hay feeder, as shown and described.

[22] Filed: **Jan. 2, 1997**

DESCRIPTION

[51] **LOC (6) Cl.** **30-03**

FIG. 1 is a front perspective of the first embodiment of this design;

[52] **U.S. Cl.** **D30/131**

FIG. 2 is a rear perspective of the first embodiment of this design;

[58] **Field of Search** D30/121, 129-132;

119/51.5, 52.1-52.2, 53, 58-61, 57.8, 57.9,

63, 71, 73-75, 77, 475, 464, 477

FIG. 3 is a front elevational view thereof;

FIG. 4 is a rear elevational view thereof;

FIG. 5 is a top plan view thereof;

FIG. 6 is a bottom plan view thereof;

FIG. 7 is a right side elevational view thereof, the left side being a mirror image;

FIG. 8 is a bottom plan view of the cover seen in FIGS. 1, 2, 3, 4, 5 and 7;

FIG. 9 is a front perspective view of a second embodiment of FIG. 1;

FIG. 10 is a rear perspective view of FIG. 9;

FIG. 11 is a front elevational view of FIG. 9;

FIG. 12 is a top plan view of FIG. 9;

FIG. 13 is a bottom plan view of FIG. 9;

FIG. 14 is a rear elevational view of FIG. 9; and,

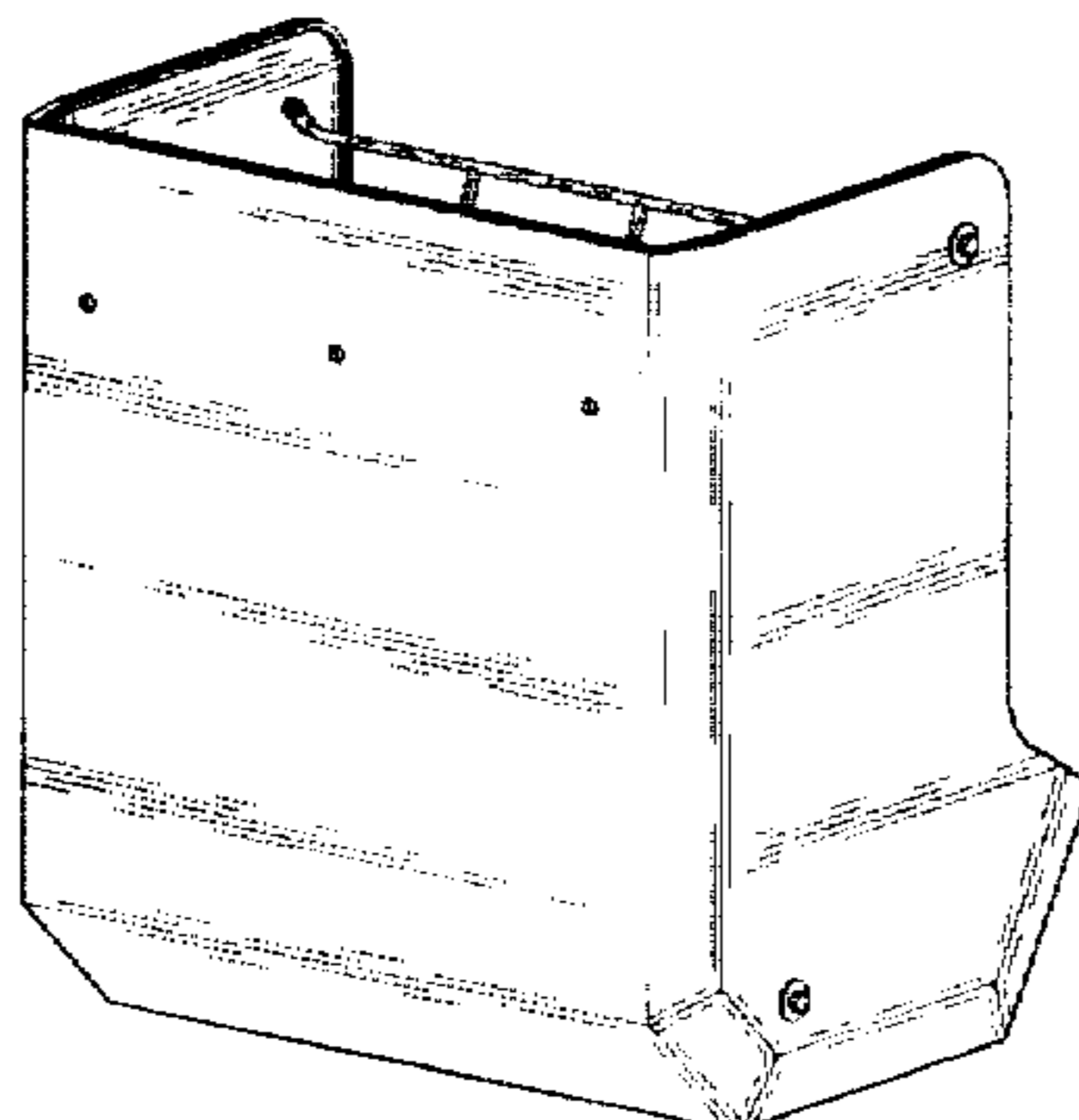
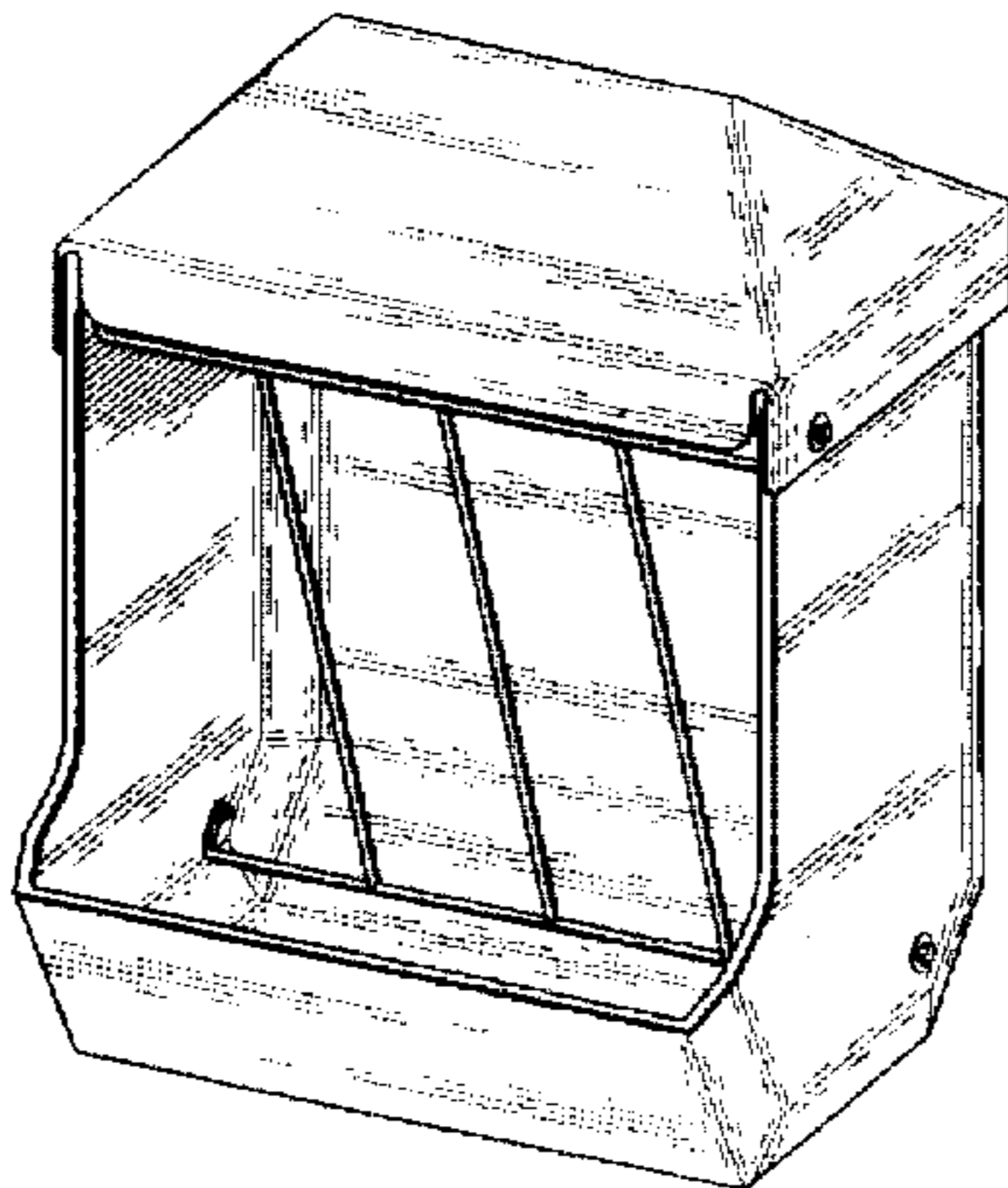
FIG. 15 is a right side elevational view of FIG. 9, the left side being a mirror image.

[56] **References Cited**

U.S. PATENT DOCUMENTS

231,823	8/1880	Lickliden	119/59
D. 232,848	9/1974	Barton et al.	D30/121
237,435	2/1881	Finch	119/59
D. 271,433	11/1983	Holland	D30/121
D. 287,771	1/1987	Kimble	D30/121
D. 341,448	11/1993	Herzenach	D30/121
2,440,243	4/1948	Barrett	119/52.1
2,589,427	3/1952	Ossmann	119/63
3,362,382	1/1968	Frasier	119/60
3,517,454	6/1970	Query	119/52.1
4,343,262	8/1982	Hunziker, Jr.	119/477
4,401,056	8/1983	Cody et al.	119/477
4,457,264	7/1984	Maier	119/61
5,188,060	2/1993	Johnson	119/58
5,375,559	12/1994	Baadsgaard	119/58

1 Claim, 4 Drawing Sheets



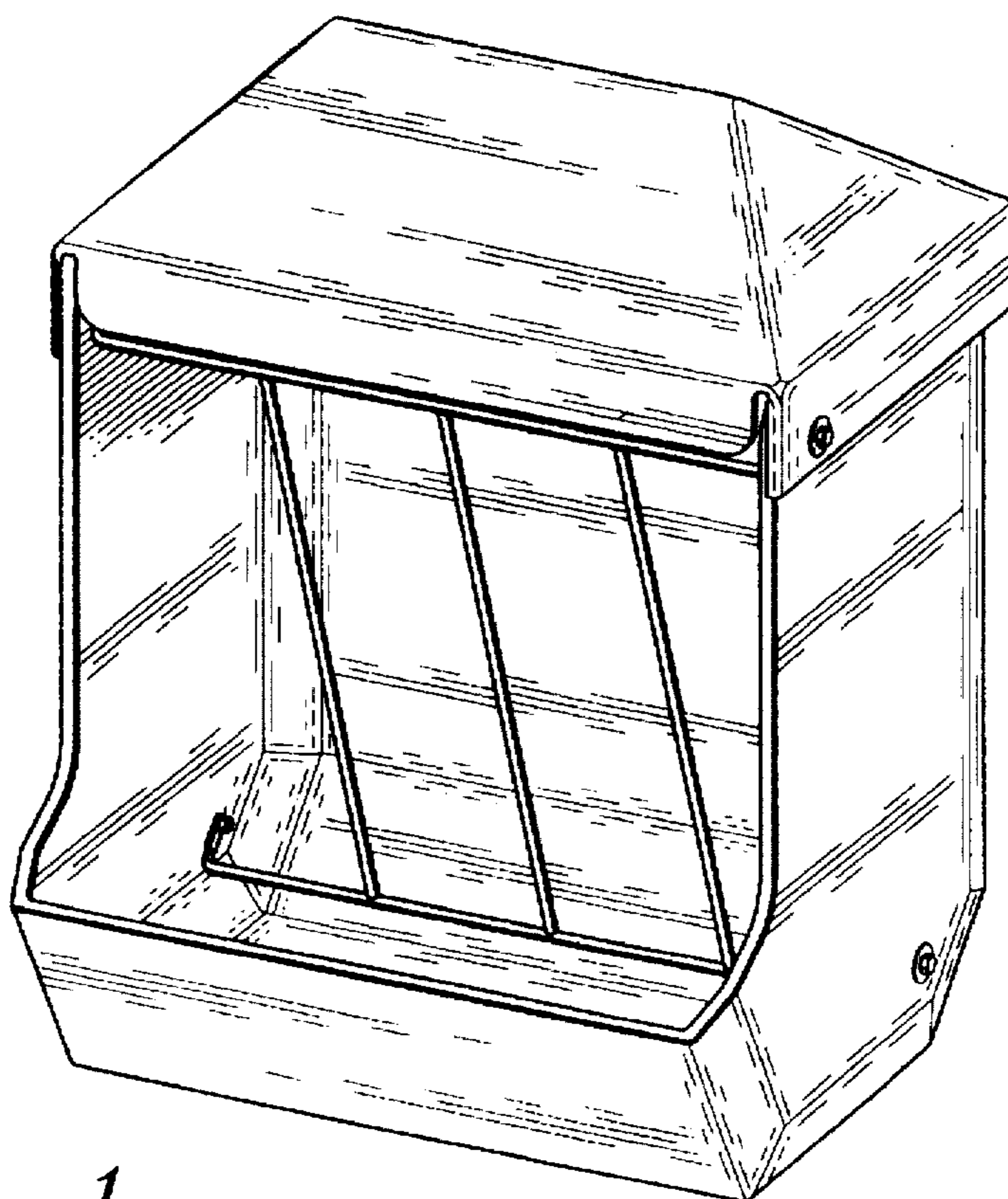


Fig. 1

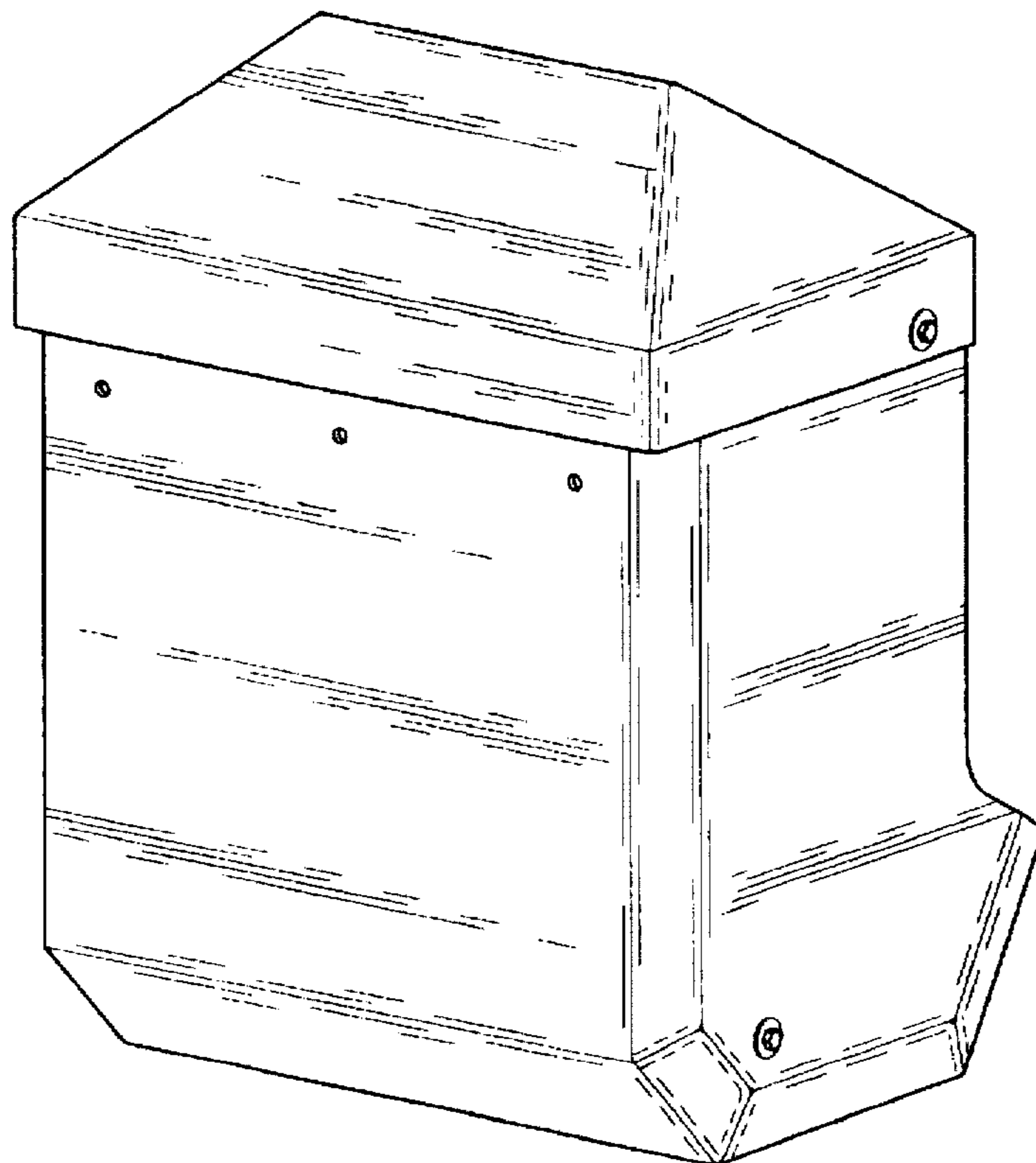


Fig. 2

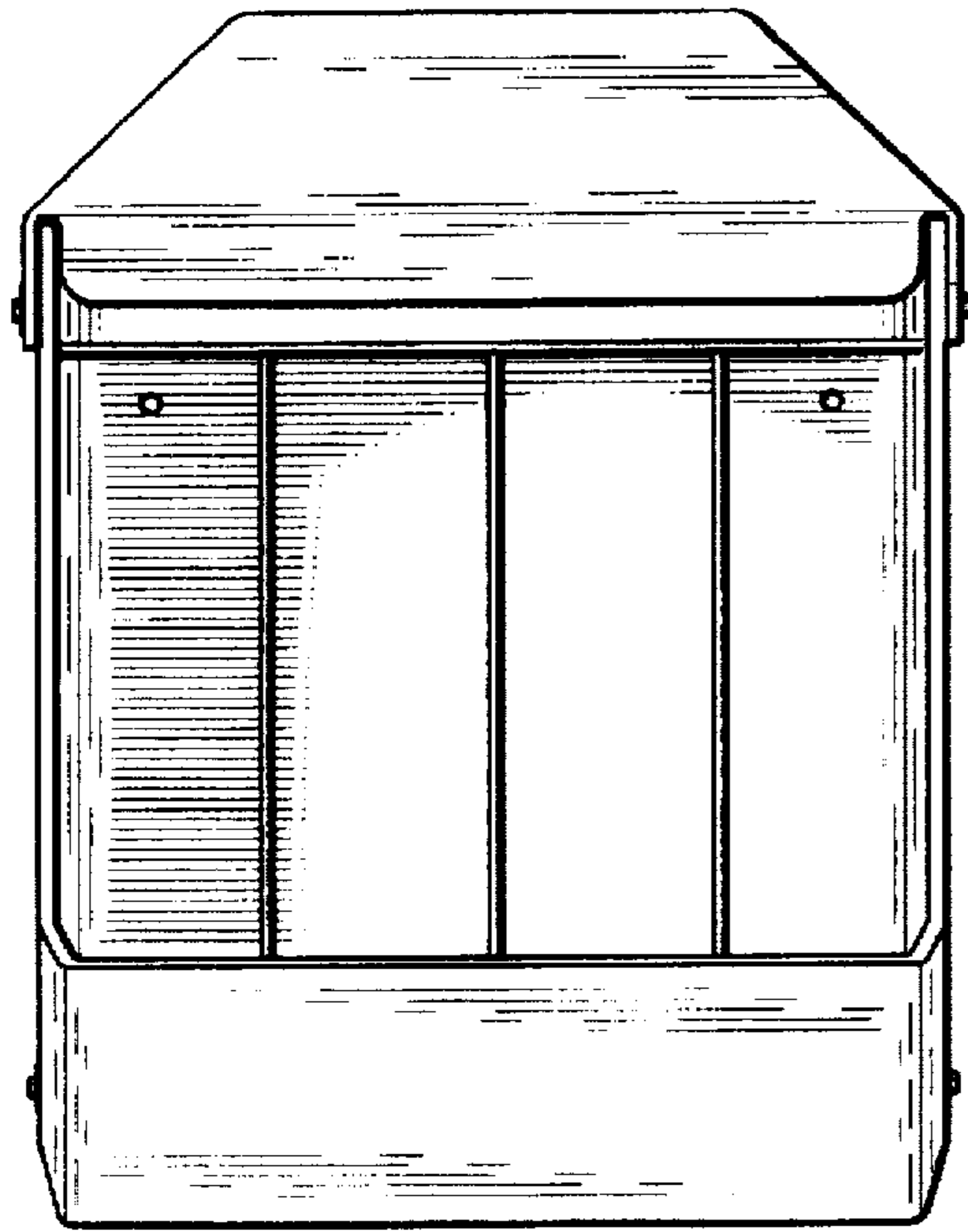


Fig. 3

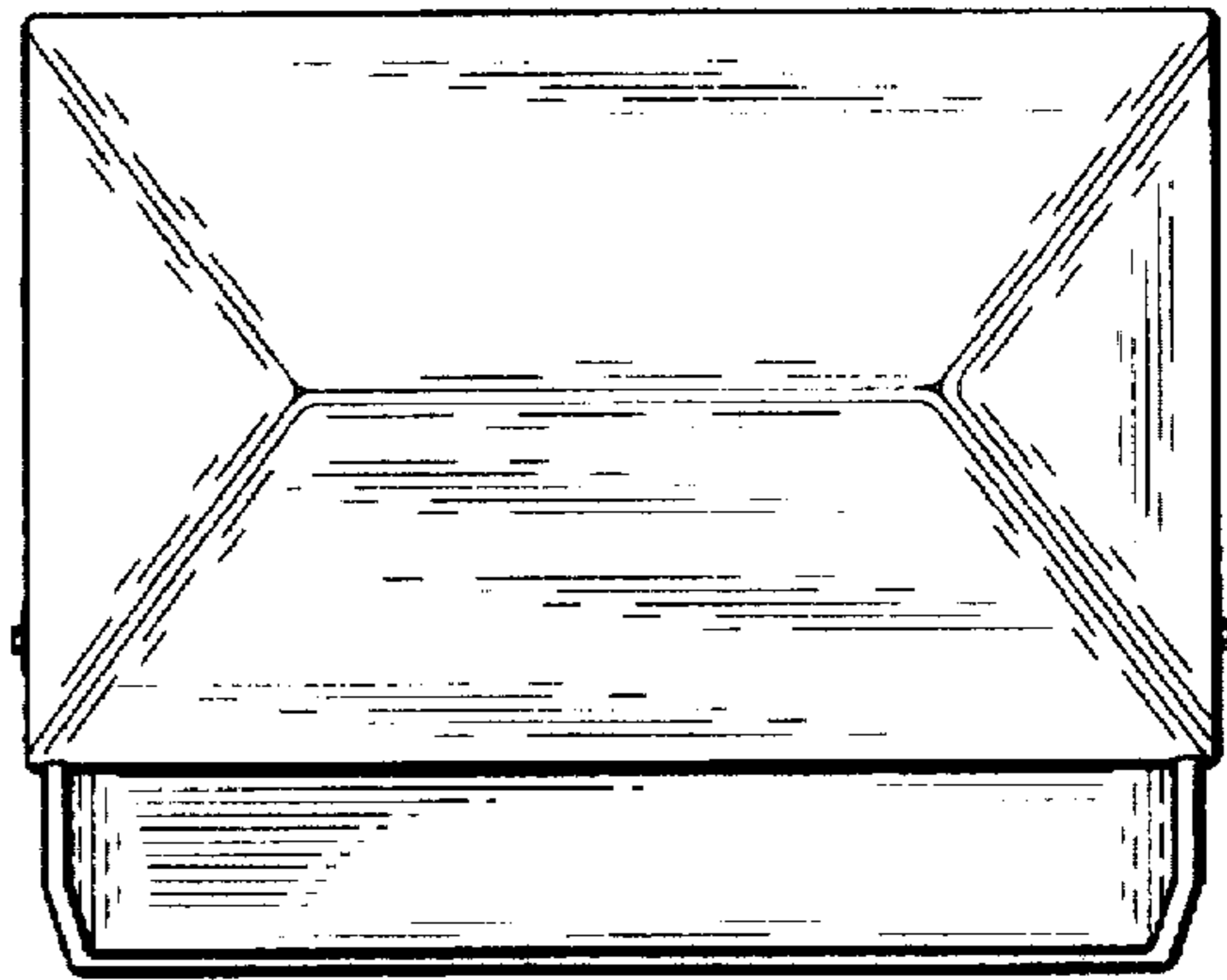


Fig. 5

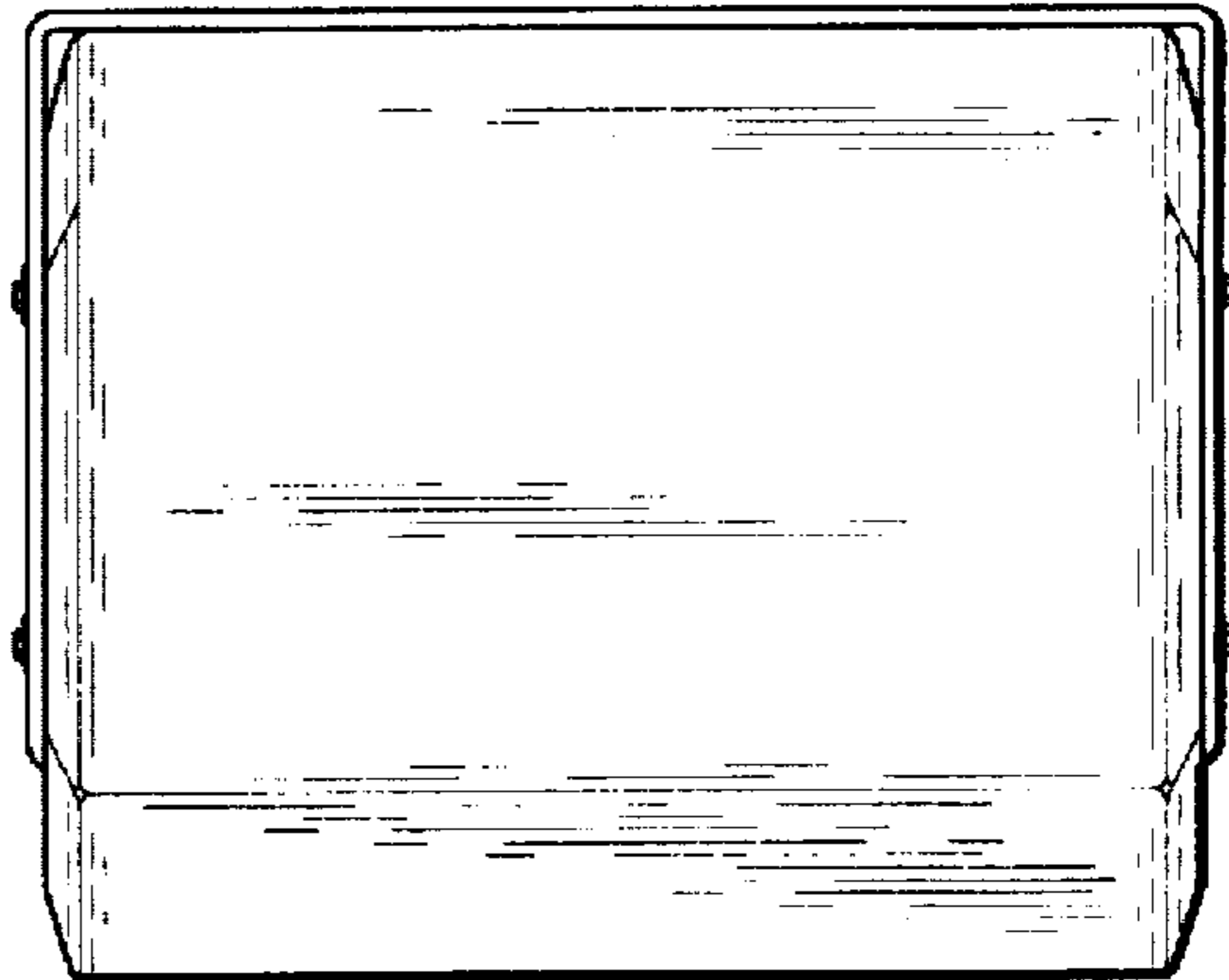


Fig. 6

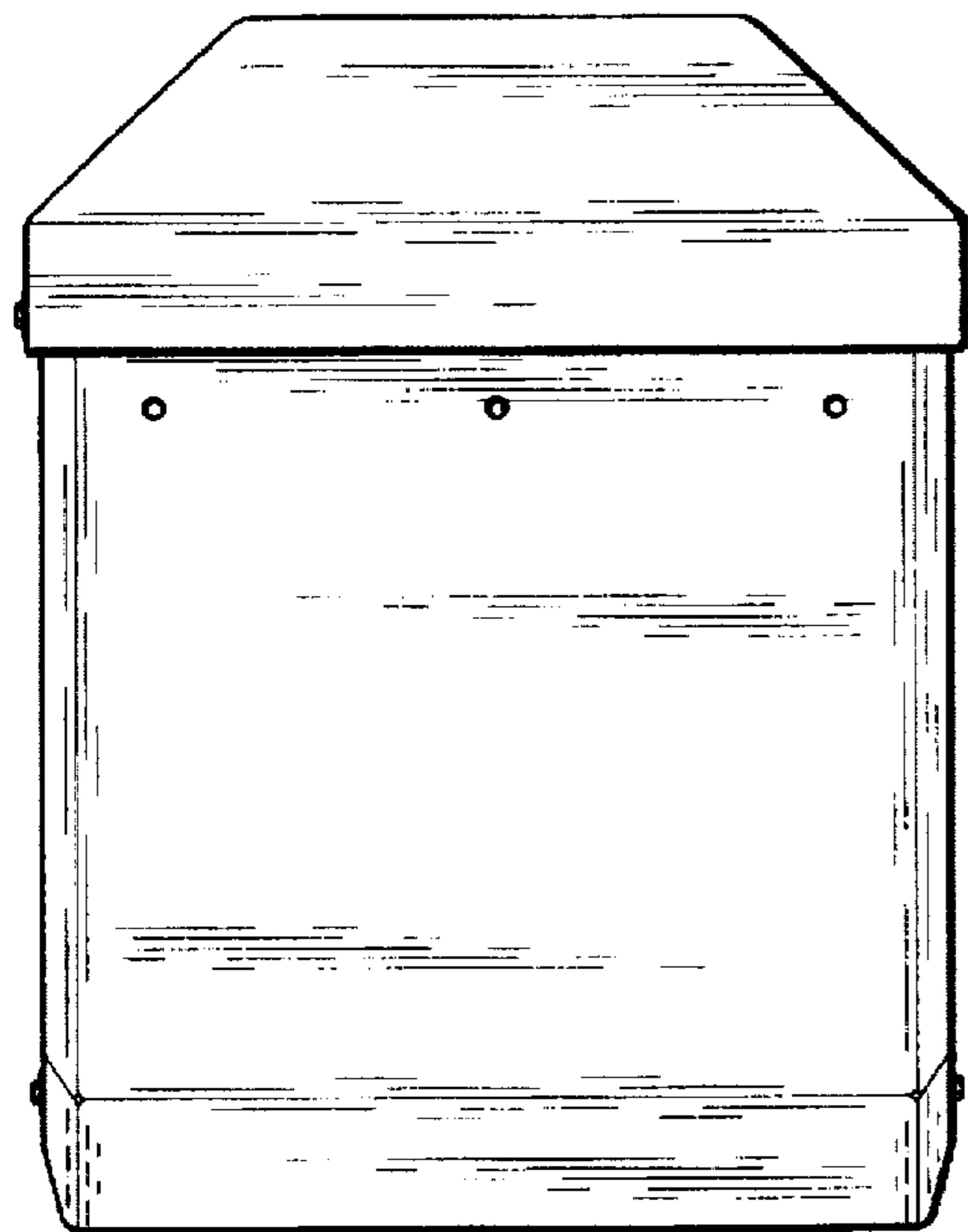


Fig. 4

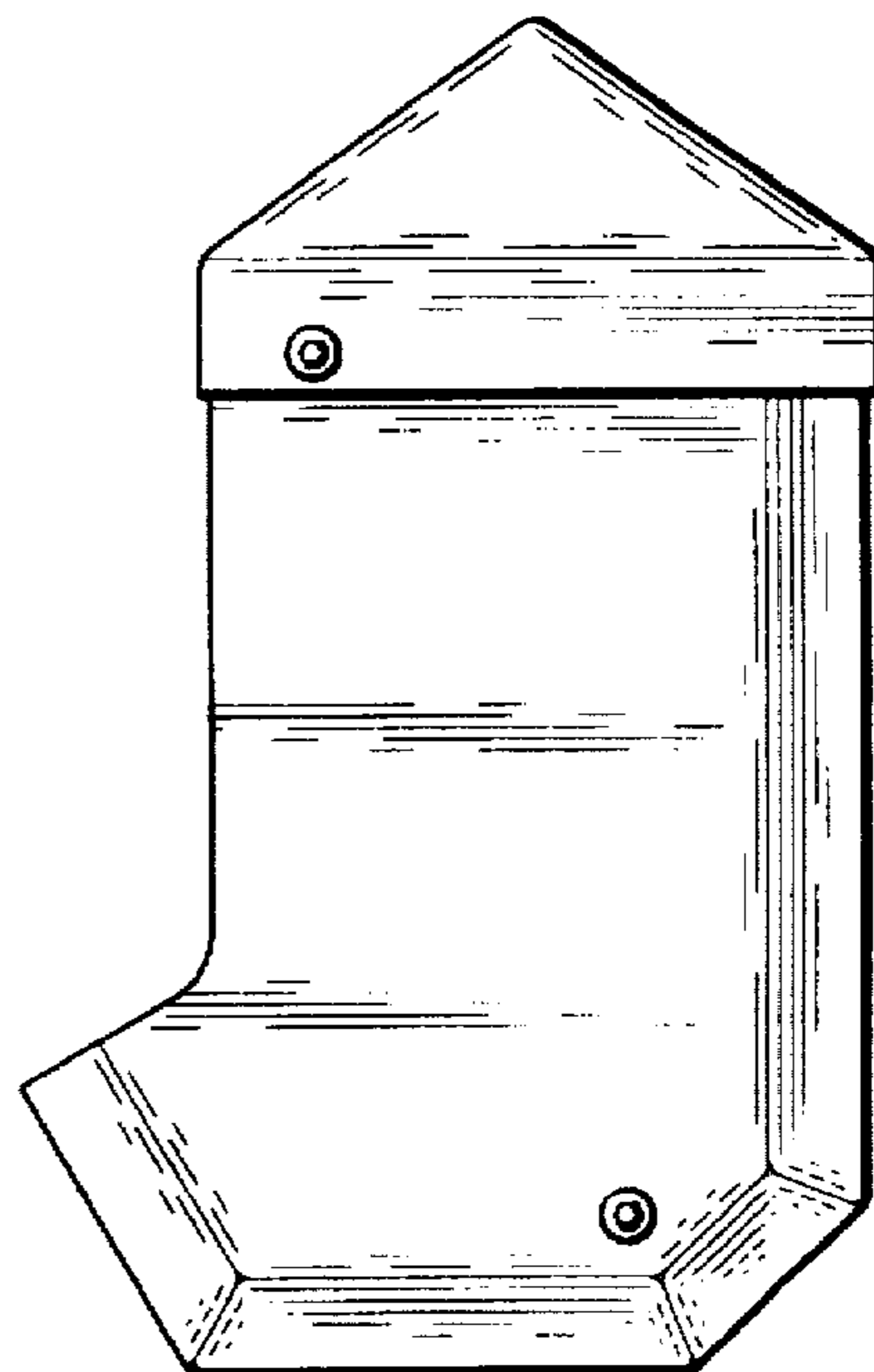


Fig. 7

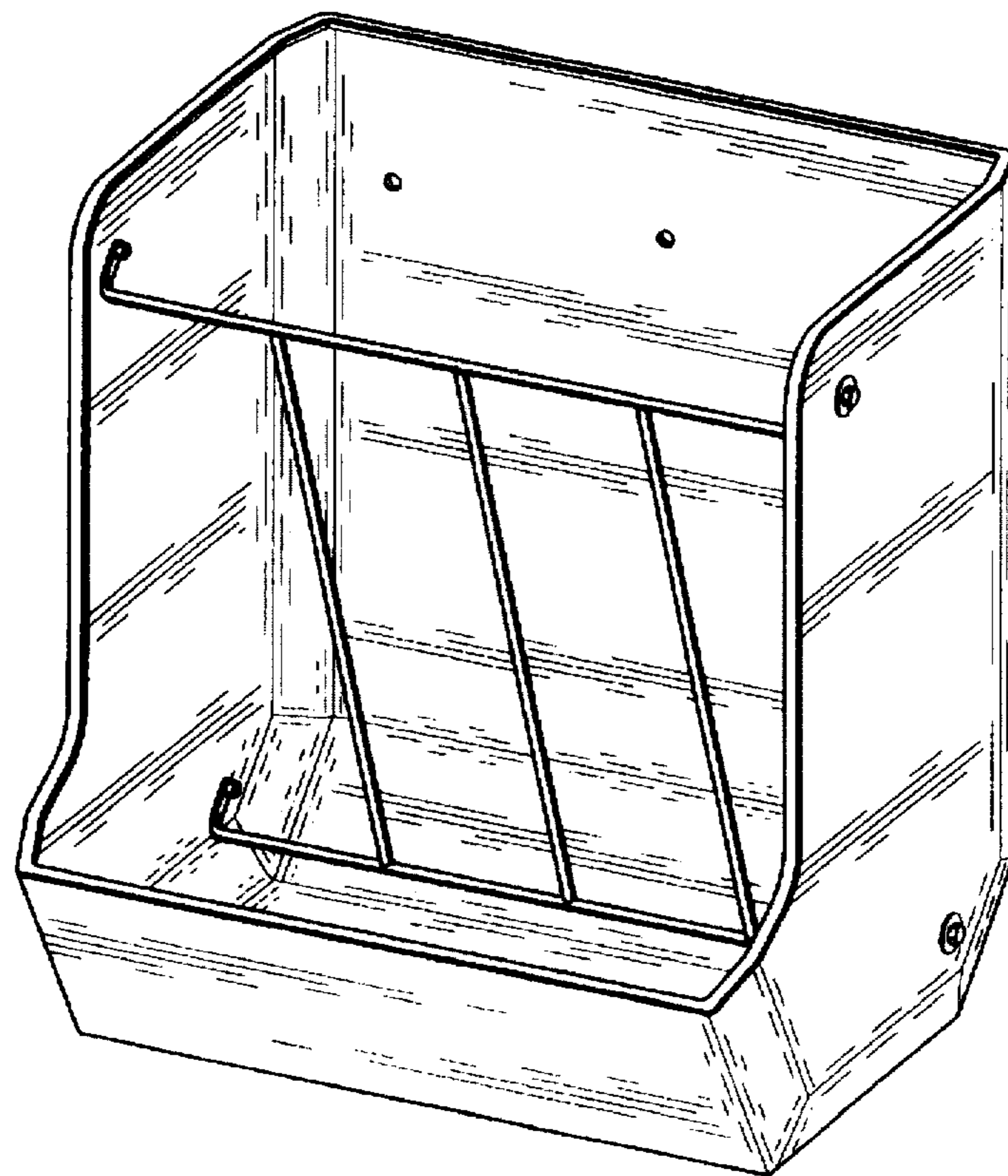


Fig. 8

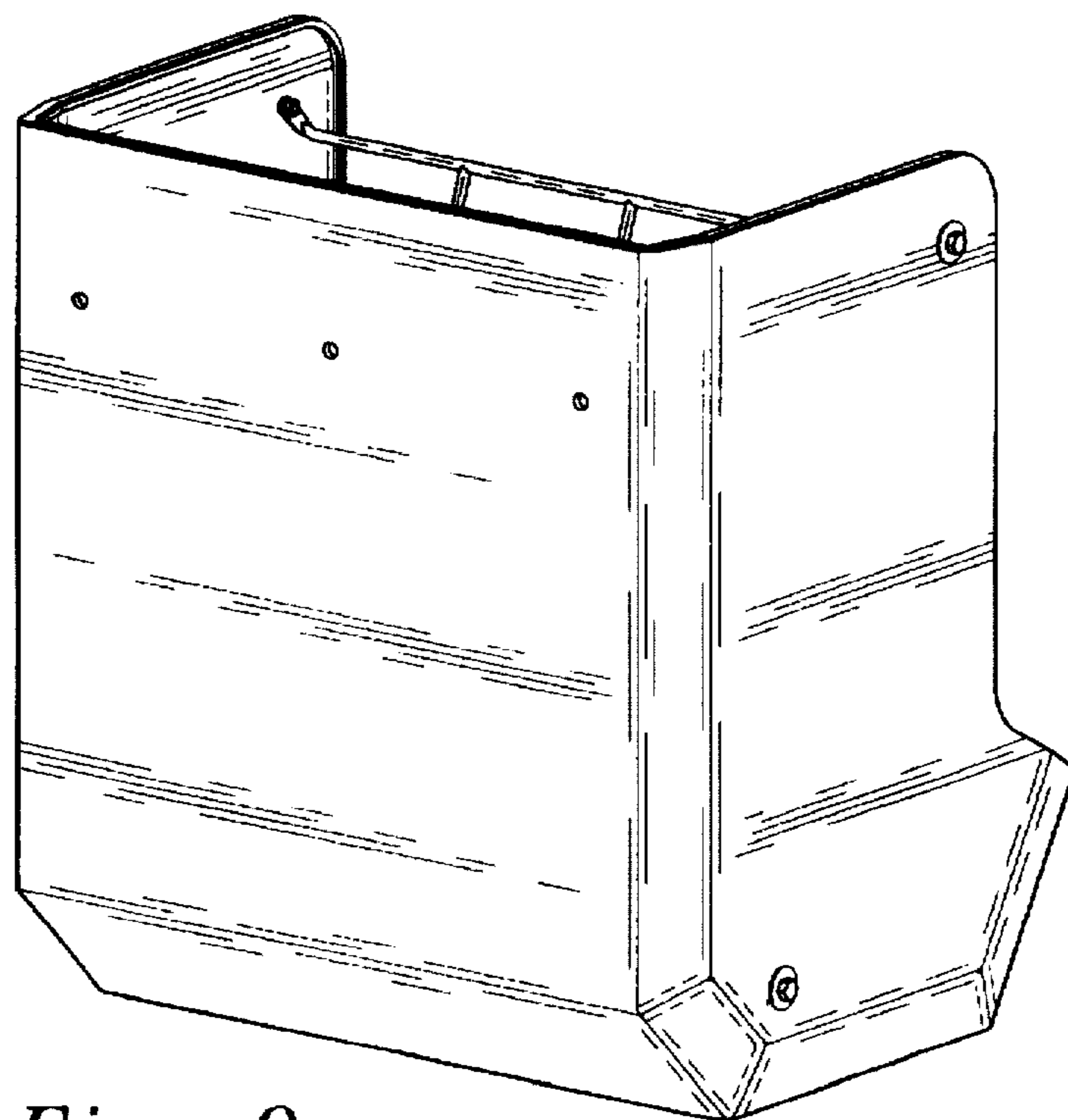


Fig. 9

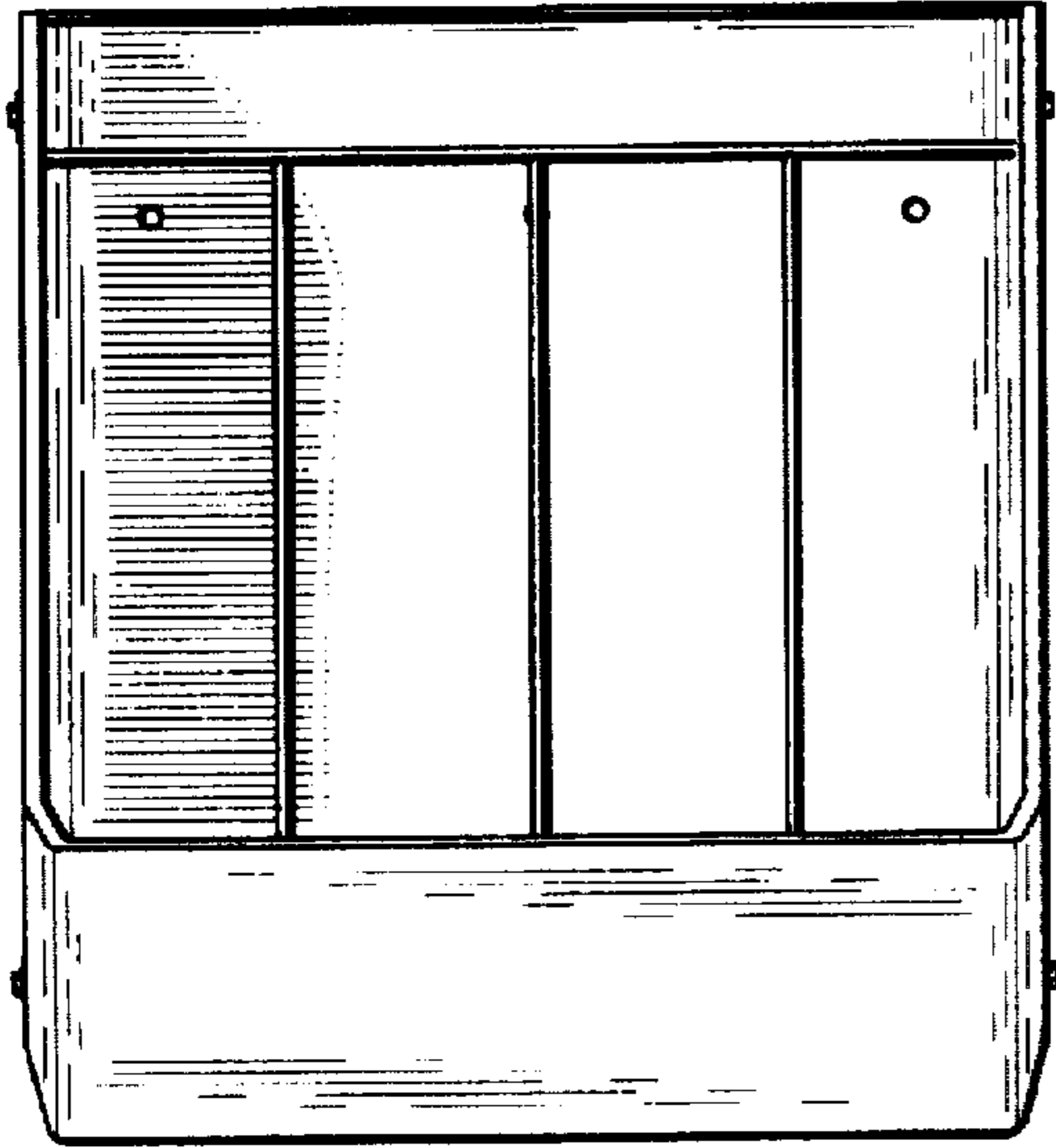


Fig. 10

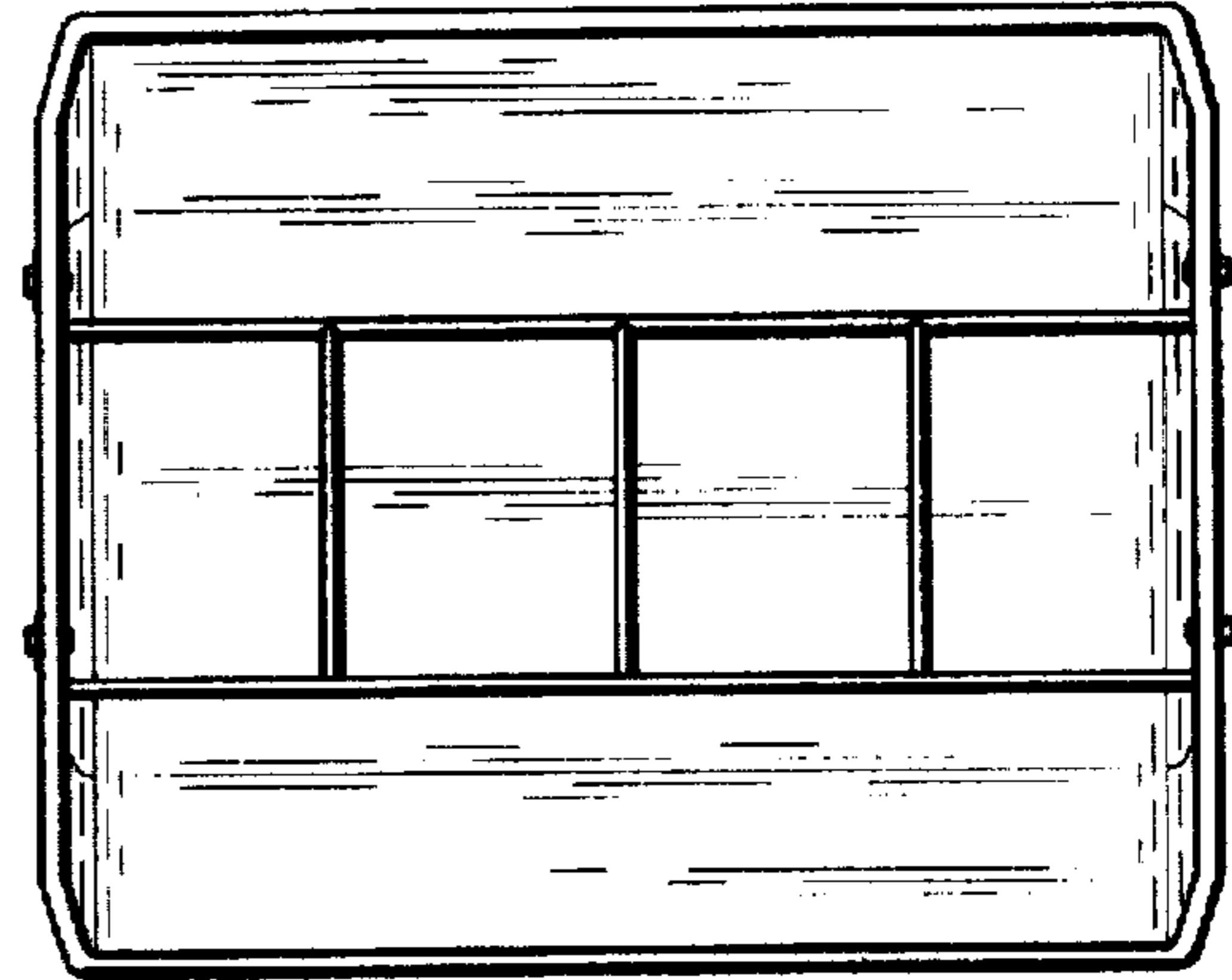


Fig. 11

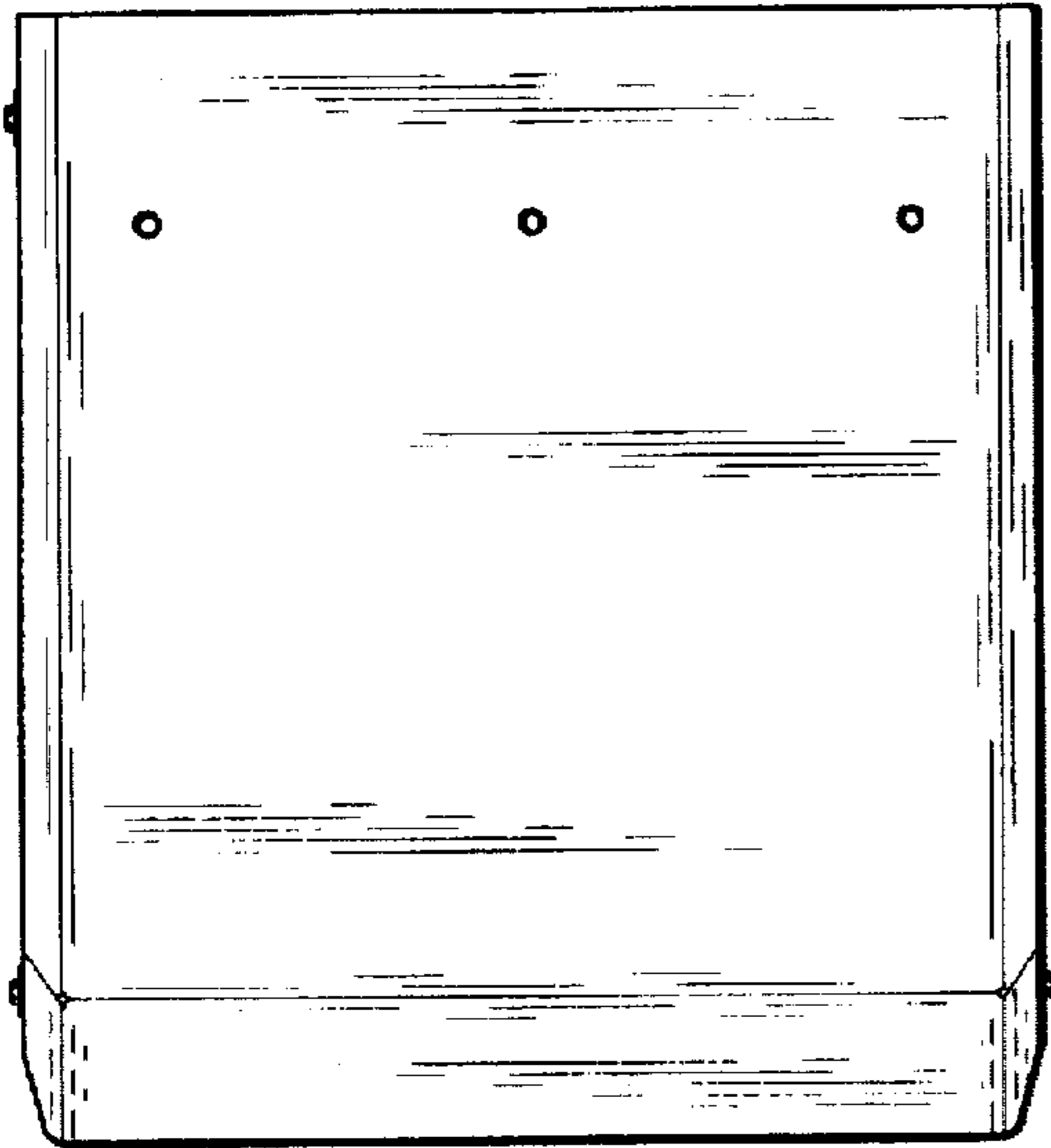


Fig. 13

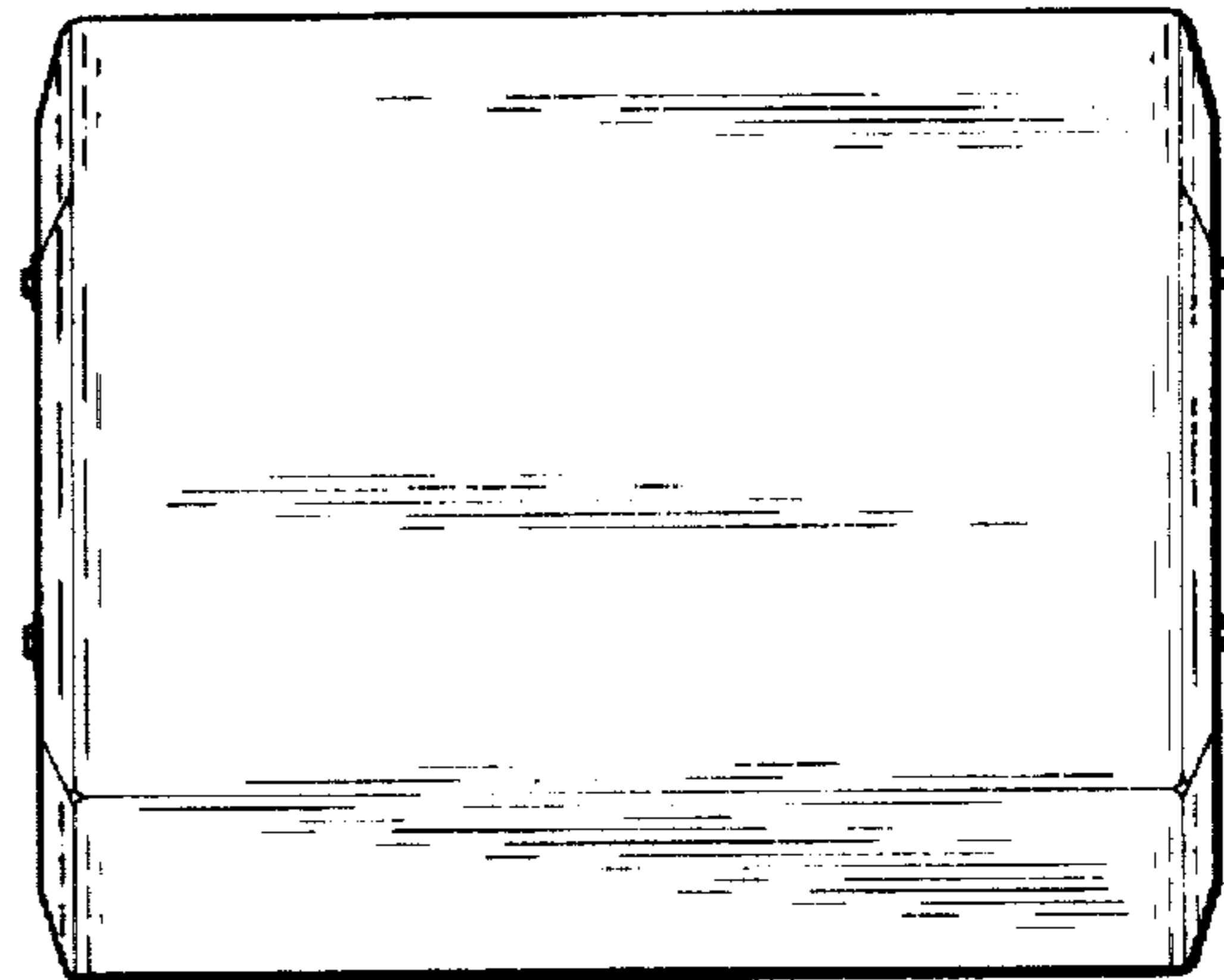


Fig. 12

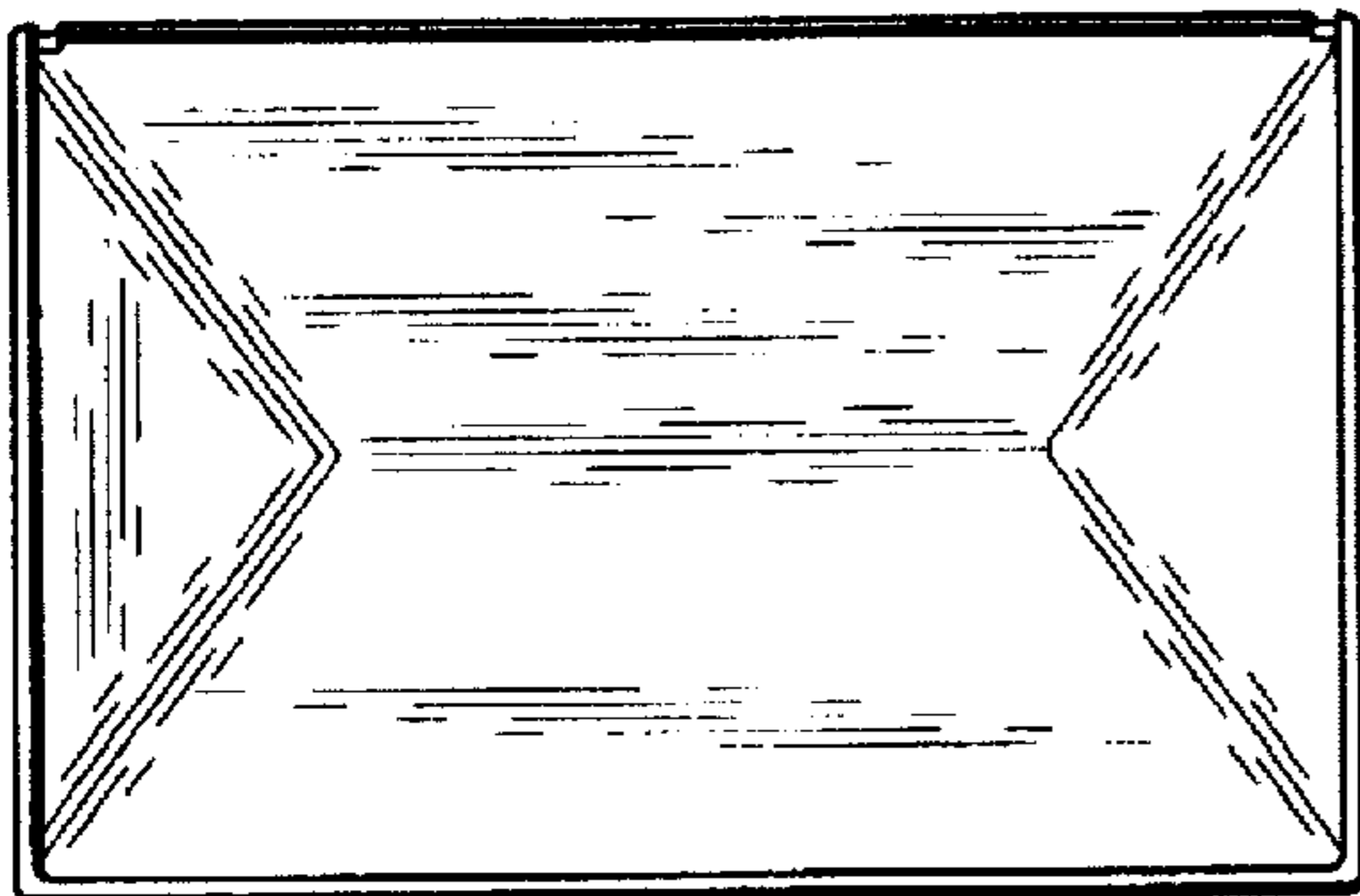


Fig. 15

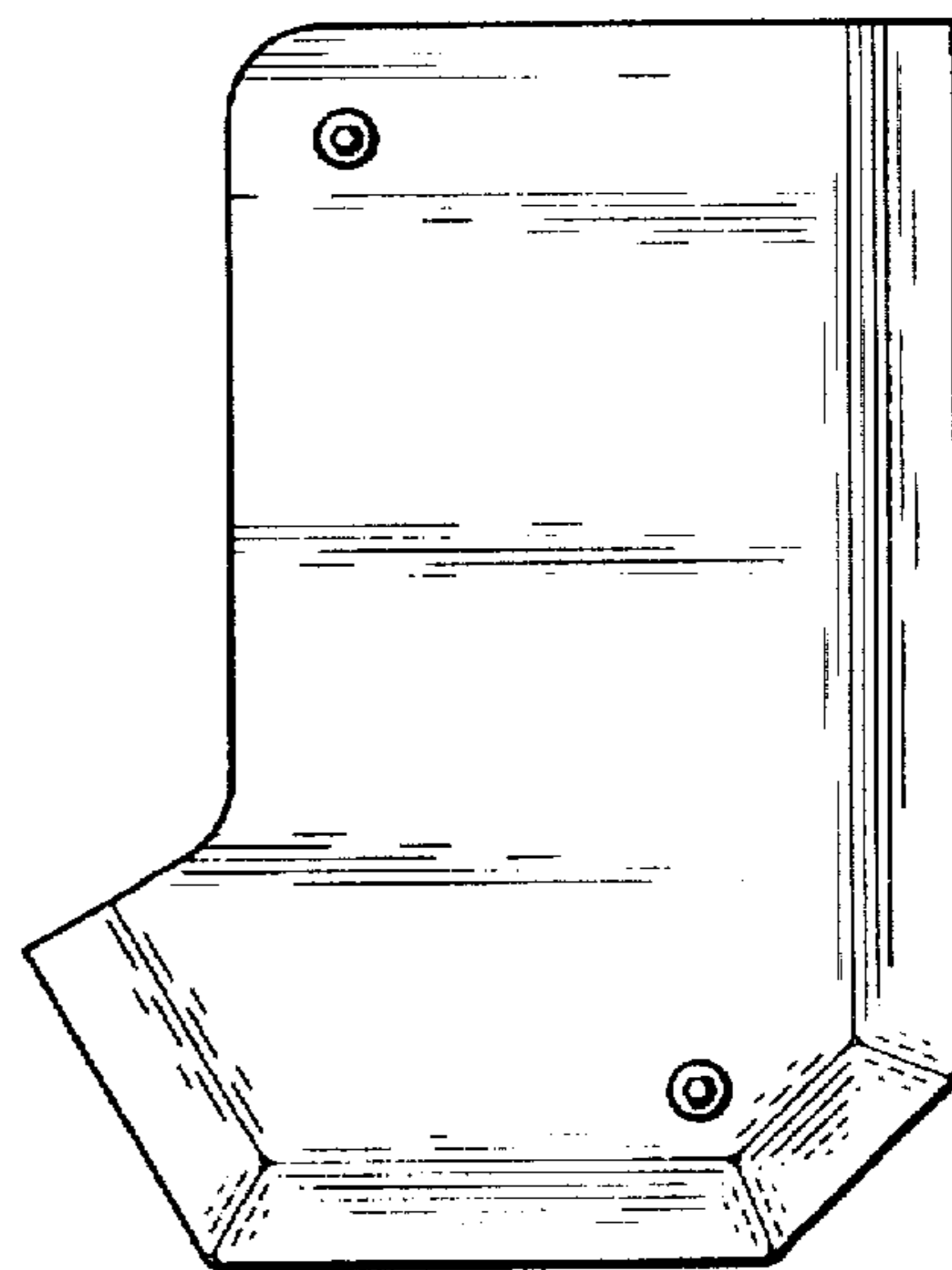


Fig. 14