



US00D392773S

United States Patent [19] Litton

[11] Patent Number: Des. 392,773
[45] Date of Patent: **Mar. 24, 1998

[54] COMPACT CASE

[75] Inventor: Garfield Litton, Glenrock, N.J.

[73] Assignee: Revlon Consumer Products Corporation, New York, N.Y.

[**] Term: 14 Years

[21] Appl. No.: 53,715

[22] Filed: Apr. 29, 1996

[51] LOC (6) Cl. 28-03

[52] U.S. Cl. D28/82

[58] Field of Search D28/76-84; D9/420;
132/293-307, 313-316; 220/DIG. 26; 206/235,
581, 823

[56] References Cited

U.S. PATENT DOCUMENTS

D. 106,609	10/1937	Reilly	D28/82
D. 137,166	2/1944	Crane	D28/82
D. 145,100	6/1946	Muller-Munk	.	
D. 146,755	5/1947	Spitalny	D28/81 X
D. 236,037	7/1975	McCarthy	.	
D. 249,332	9/1978	Hauf	D28/82 X
D. 310,736	9/1990	Bakic	D28/82
D. 319,897	9/1991	Bakic	D28/82
D. 337,177	7/1993	Tiramani	D28/76
1,482,786	2/1924	Dodson	132/303
1,582,125	4/1926	Clarke	132/298
2,421,646	6/1947	Pepin	132/305
2,792,349	5/1957	Le Vier et al.	D28/8.1
5,107,871	4/1992	Butcher et al.	132/296 X

FOREIGN PATENT DOCUMENTS

2647319	11/1990	France	401/88
835485	5/1960	United Kingdom	132/301

Primary Examiner—Ted Shooman

Assistant Examiner—C. Tuttle

Attorney, Agent, or Firm—Julie Blackburn

[57] CLAIM

The ornamental design for a compact case, as shown and described.

DESCRIPTION

FIG. 1 is a front perspective view of the compact in the closed position;

FIG. 2 is a top plan view of the compact in the closed position;

FIG. 3 is a right elevational view of the compact in the closed position;

FIG. 4 is a rear elevational view of the compact in the closed position;

FIG. 5 is a front elevational view of the compact in the closed position;

FIG. 6 is a bottom plan view of the compact in the closed position;

FIG. 7 is a front perspective view of the compact opened with its mid section in the raised position;

FIG. 8 is a top plan view of the compact opened with its mid section in the raised position;

FIG. 9 is a right side elevational view of the compact opened with its mid section in the raised position;

FIG. 10 is a front perspective view of the compact opened with its mid section in the lowered position;

FIG. 11 is a top plan view of the compact opened with its mid section in the lowered position; and,

FIG. 12 is a right side elevational view of the compact opened with its mid section in the lowered position.

1 Claim, 5 Drawing Sheets

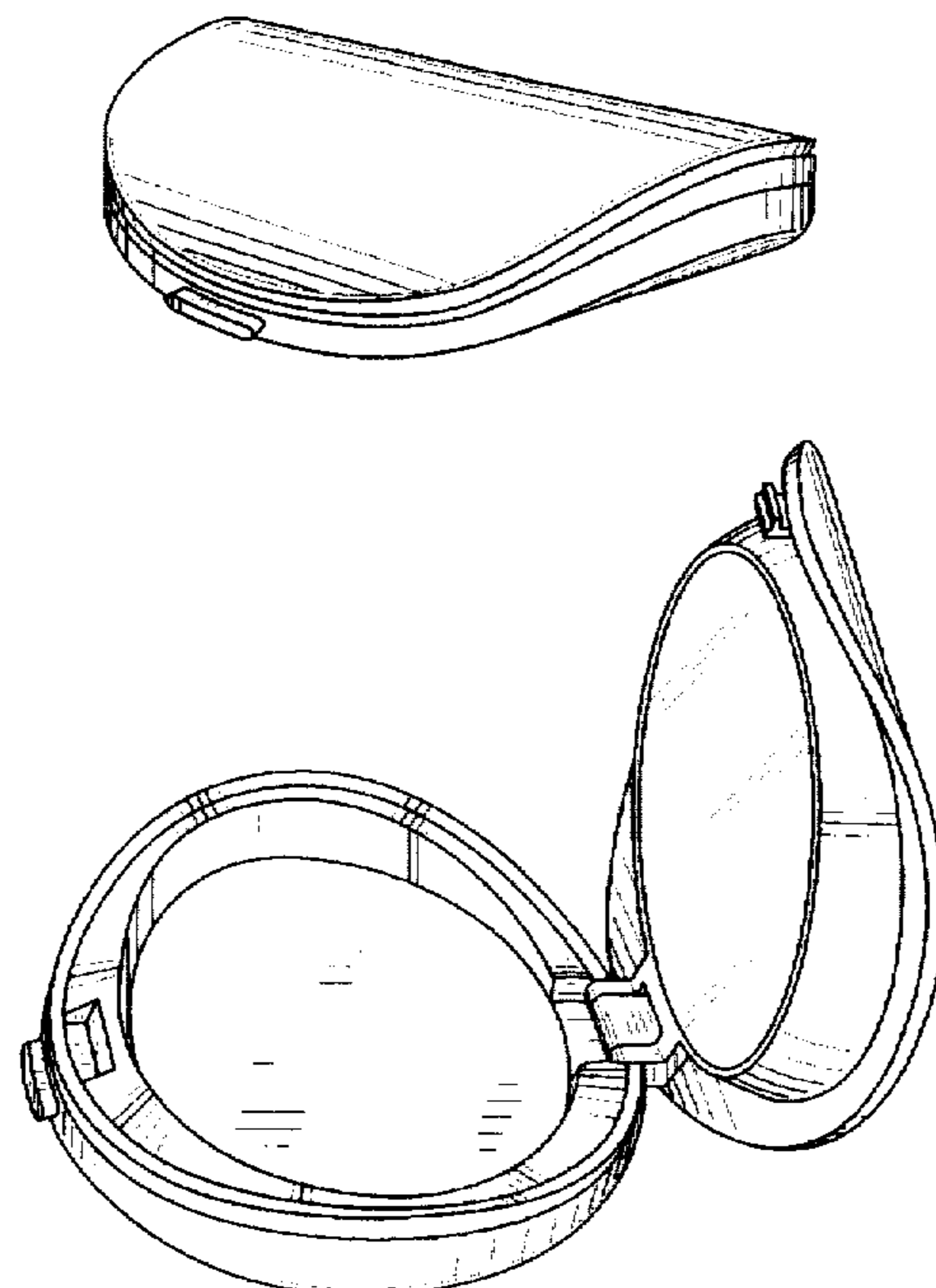


FIG. 1

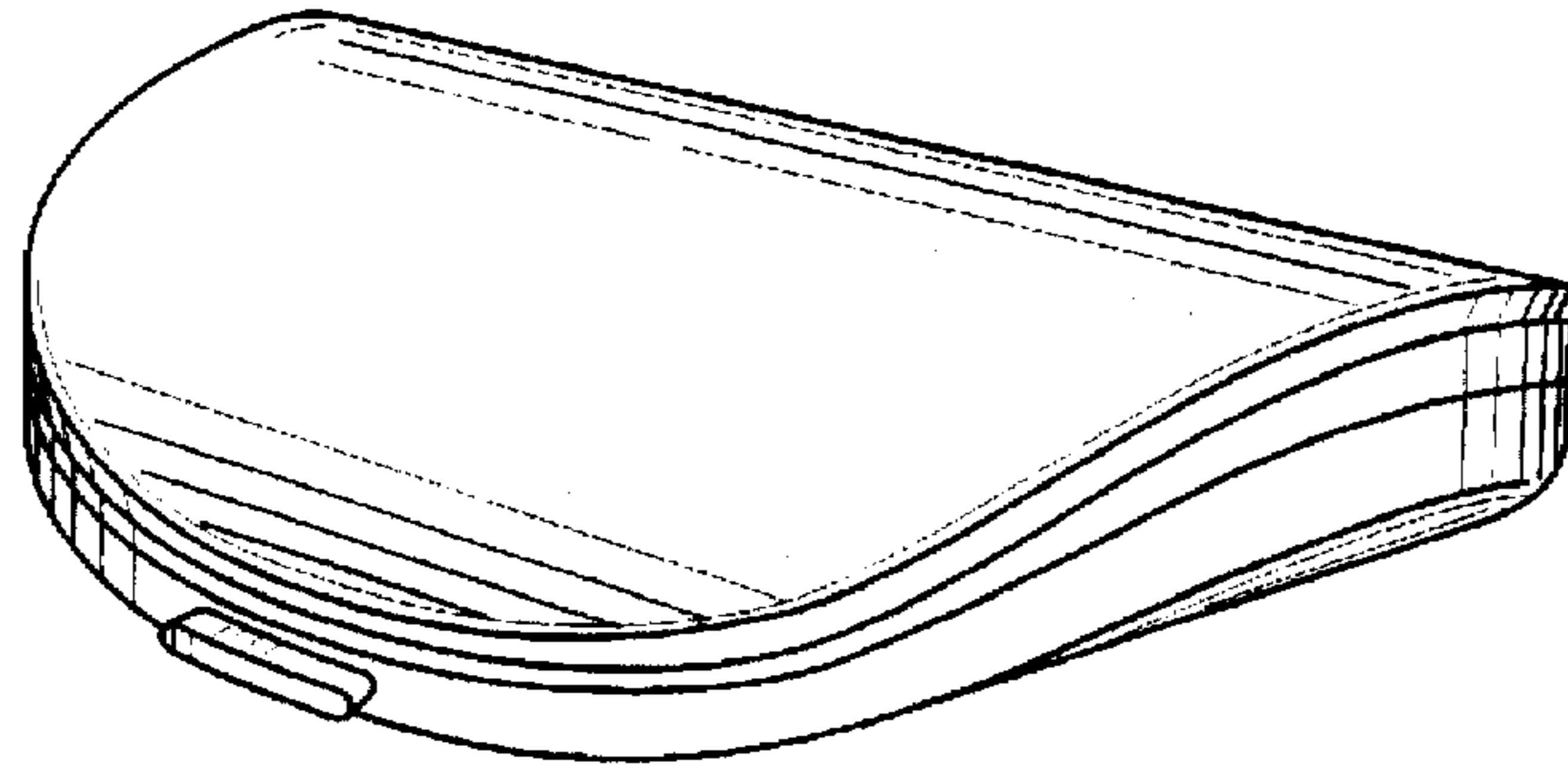


FIG. 2

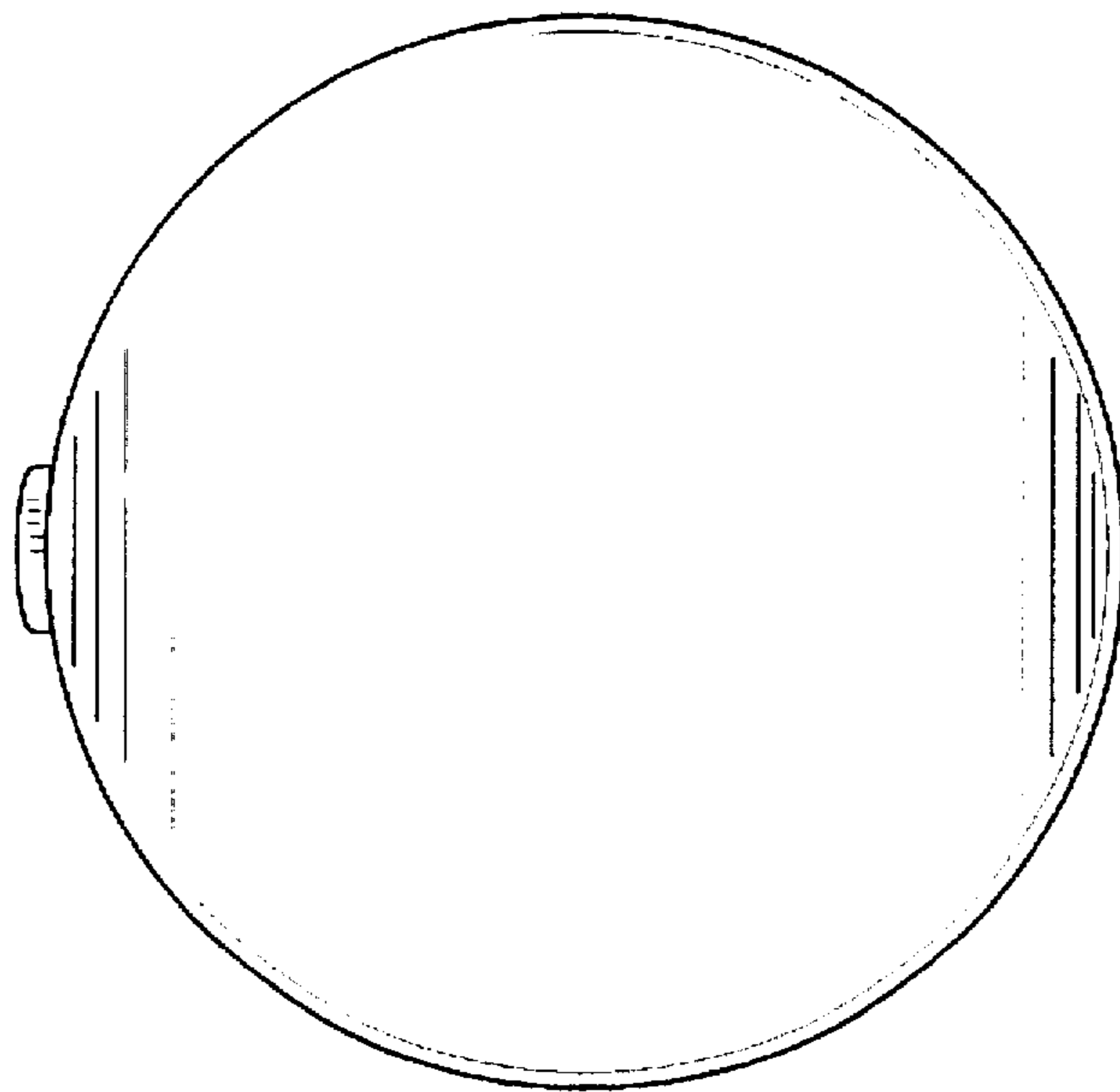


FIG. 3



FIG. 4

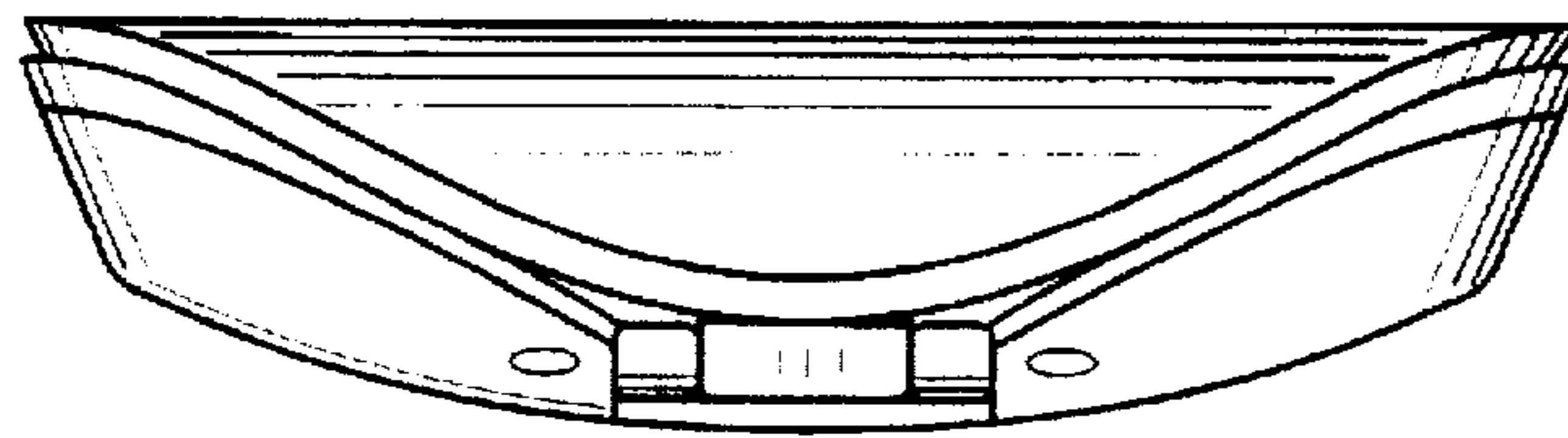


FIG. 5

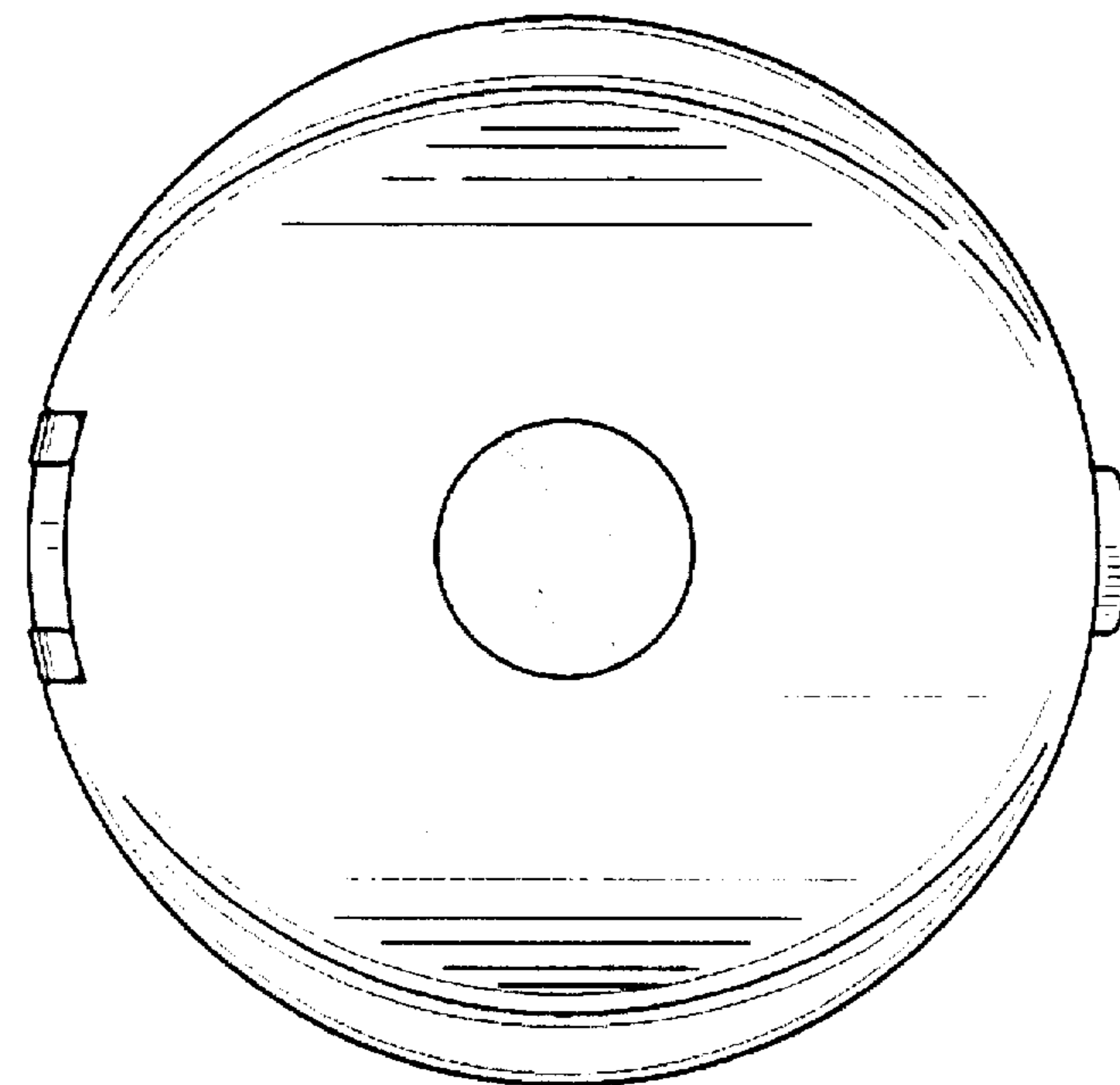
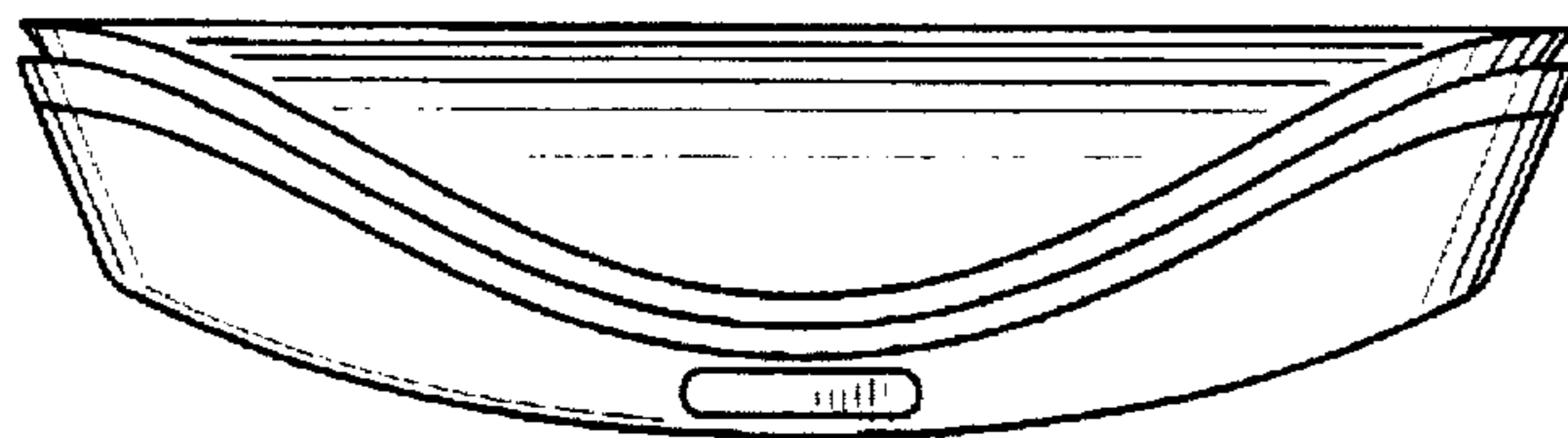


FIG. 6

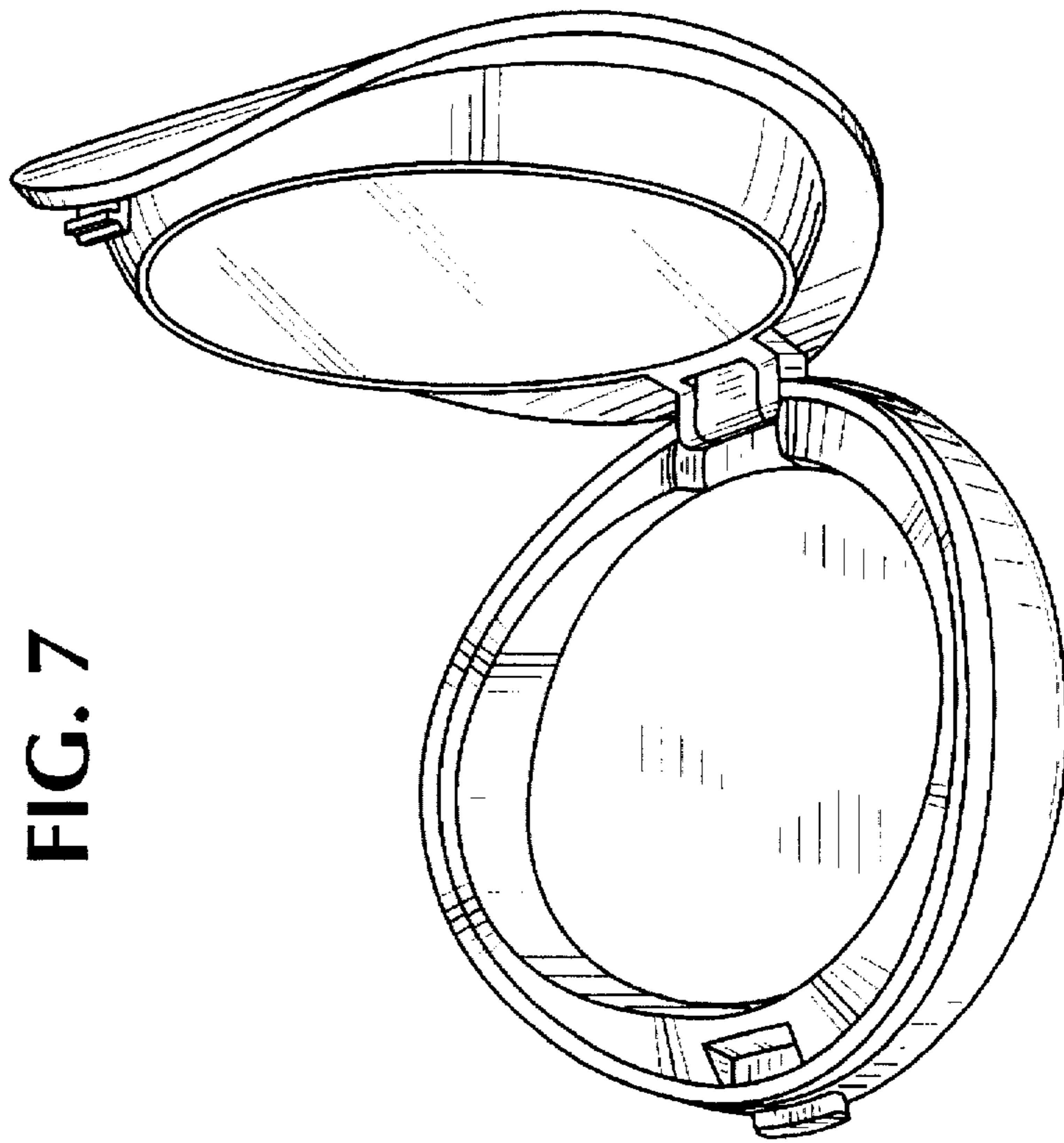


FIG. 7

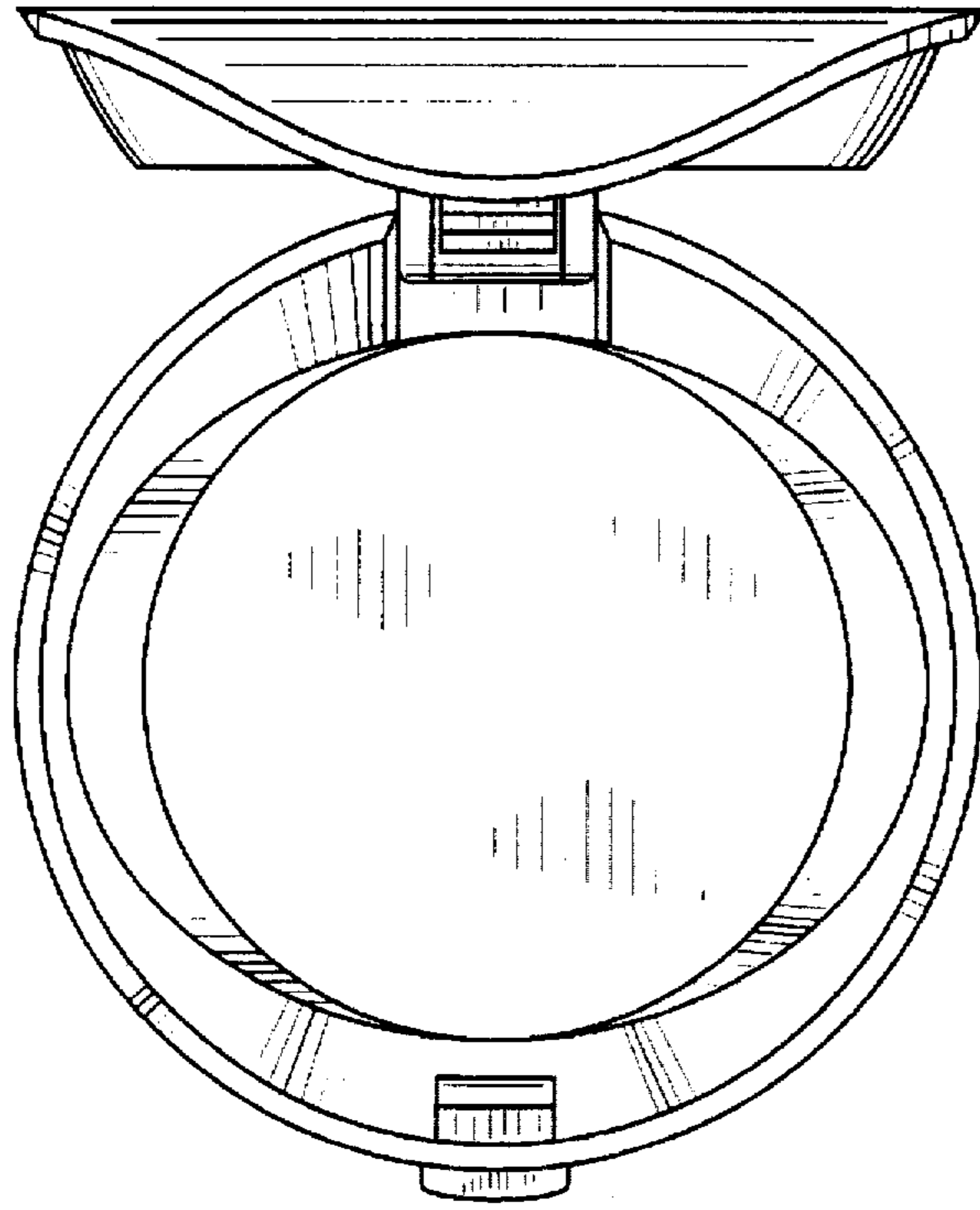


FIG. 8

FIG. 9

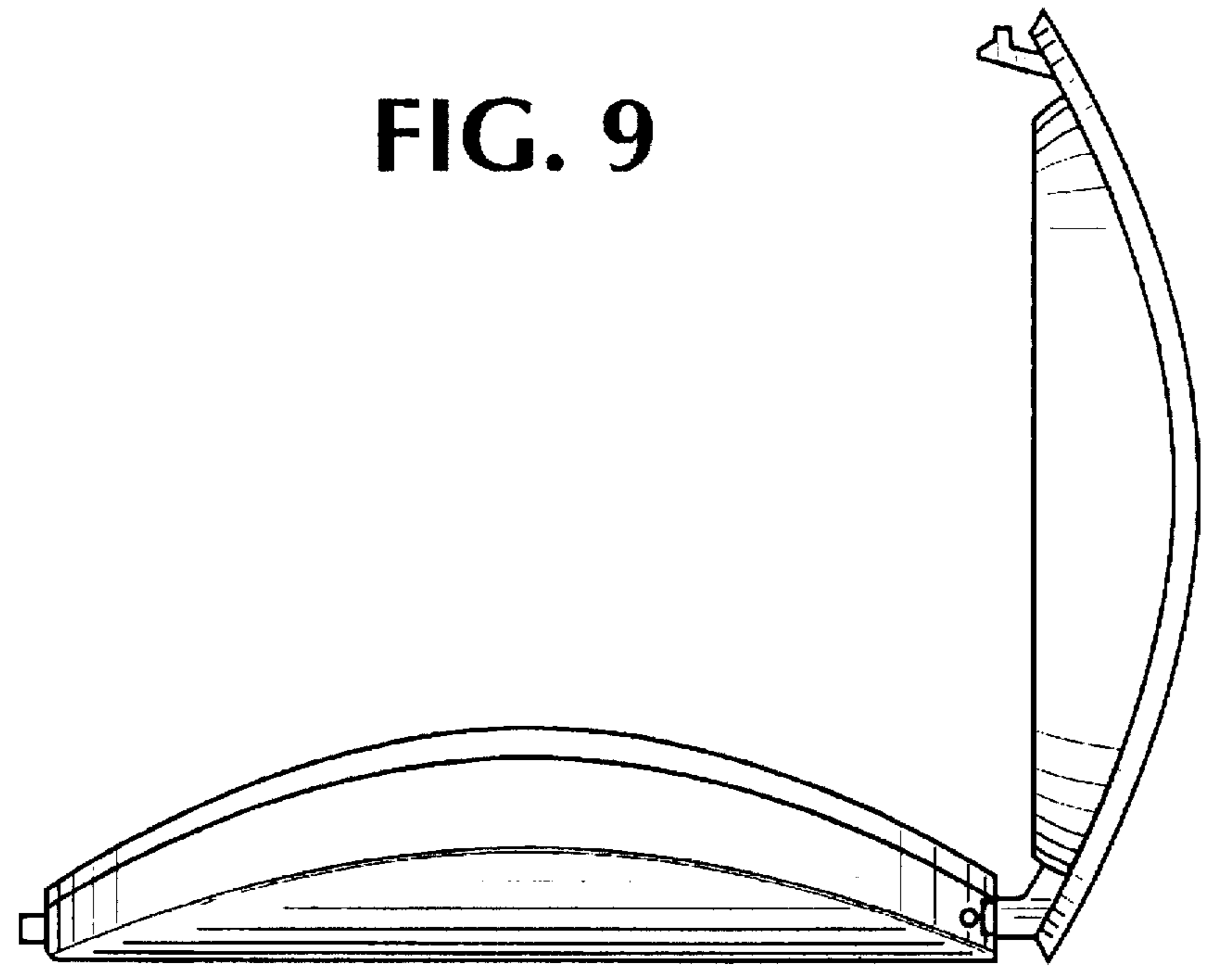


FIG. 12

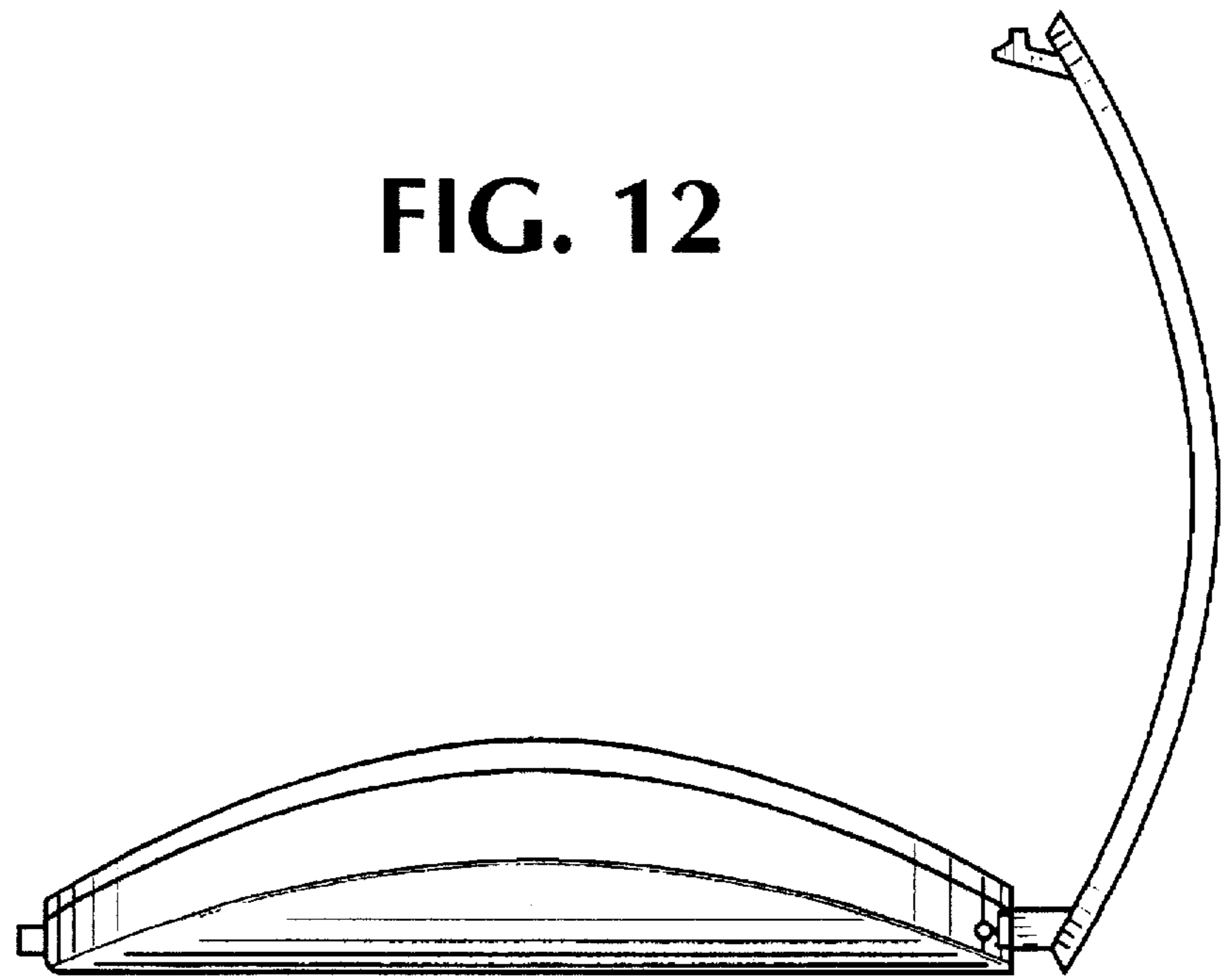


FIG. 11

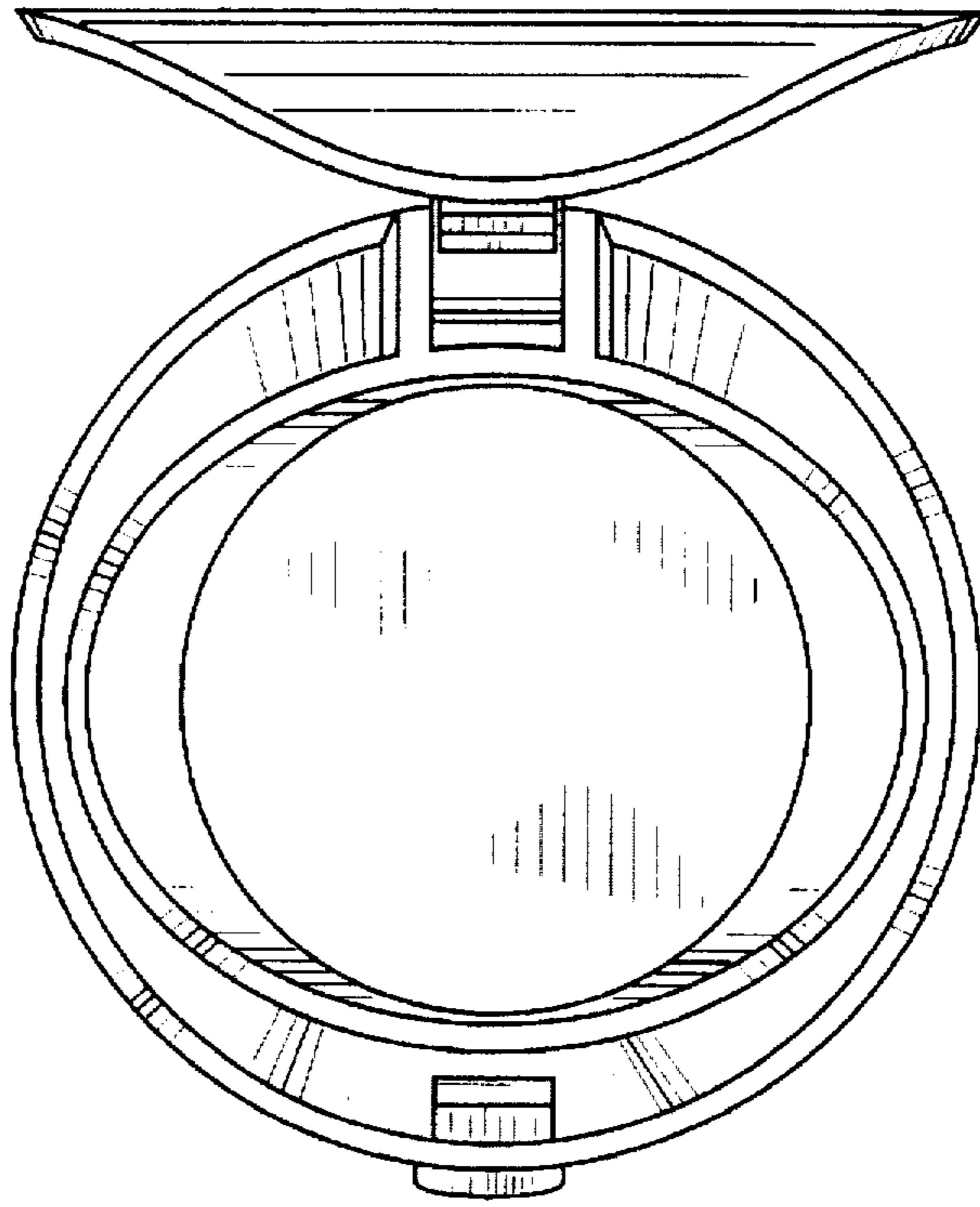


FIG. 10

