

US00D392765S

**United States Patent** [19]  
**Porter**

[11] **Patent Number: Des. 392,765**  
[45] **Date of Patent: \*\*Mar. 24, 1998**

[54] **LAMP**

[75] **Inventor: David H. Porter, Chagrin Falls, Ohio**

[73] **Assignee: The L.D. Kichler Co., Cleveland, Ohio**

[\*\*] **Term: 14 Years**

[21] **Appl. No.: 71,179**

[22] **Filed: May 22, 1997**

[51] **LOC (6) Cl. .... 26-05**

[52] **U.S. Cl. .... D26/93**

[58] **Field of Search .... D26/93, 102-112,  
D26/94; 362/410-414**

[56] **References Cited**

**U.S. PATENT DOCUMENTS**

D. 341,674 11/1993 Porter ..... D26/106  
D. 380,575 7/1997 Benghozi ..... D26/106

**OTHER PUBLICATIONS**

House Beautiful, p. 26, "Duo" table lamp, Sep. 1973.  
Interiors, p. 11, floor lamp, left, Apr. 1988.

*Primary Examiner*—Susan J. Lucas

*Attorney, Agent, or Firm*—Watts, Hoffmann, Fisher &  
Heinke, Co., L.P.A.

[57] **CLAIM**

The ornamental design for a lamp, as shown and described.

**DESCRIPTION**

FIG. 1 is a perspective view of the lamp showing my new design;

FIG. 2 is a right side elevational view of the lamp;

FIG. 3 is a left side elevational view of the lamp;

FIG. 4 is a rear elevational view of the lamp;

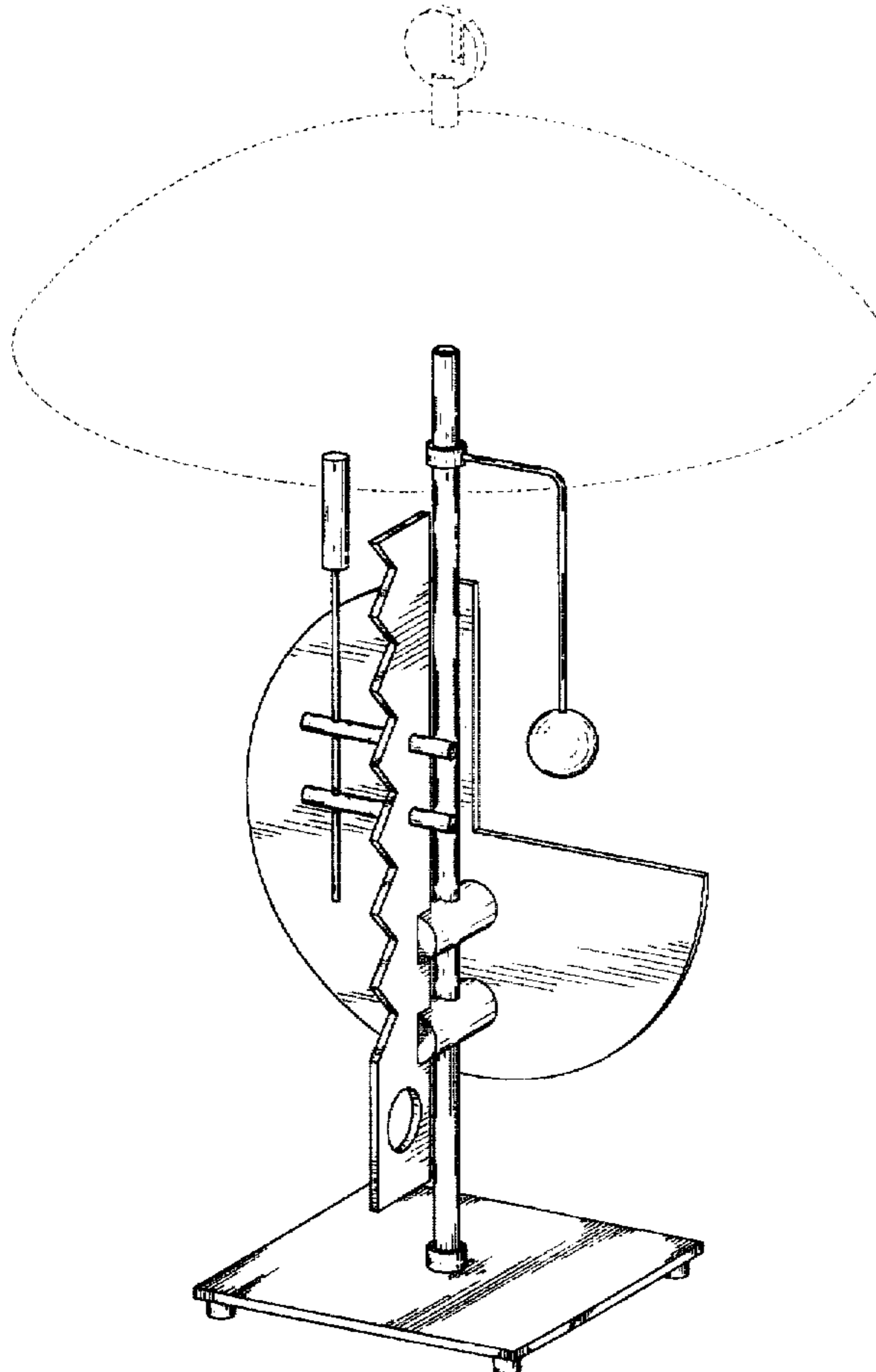
FIG. 5 is a front elevational view of the lamp;

FIG. 6 is a top plan view of the lamp; and,

FIG. 7 is a bottom plan view of the lamp.

The shade shown by broken lines is for illustrative purposes only and is not part of the claimed design.

**1 Claim, 4 Drawing Sheets**



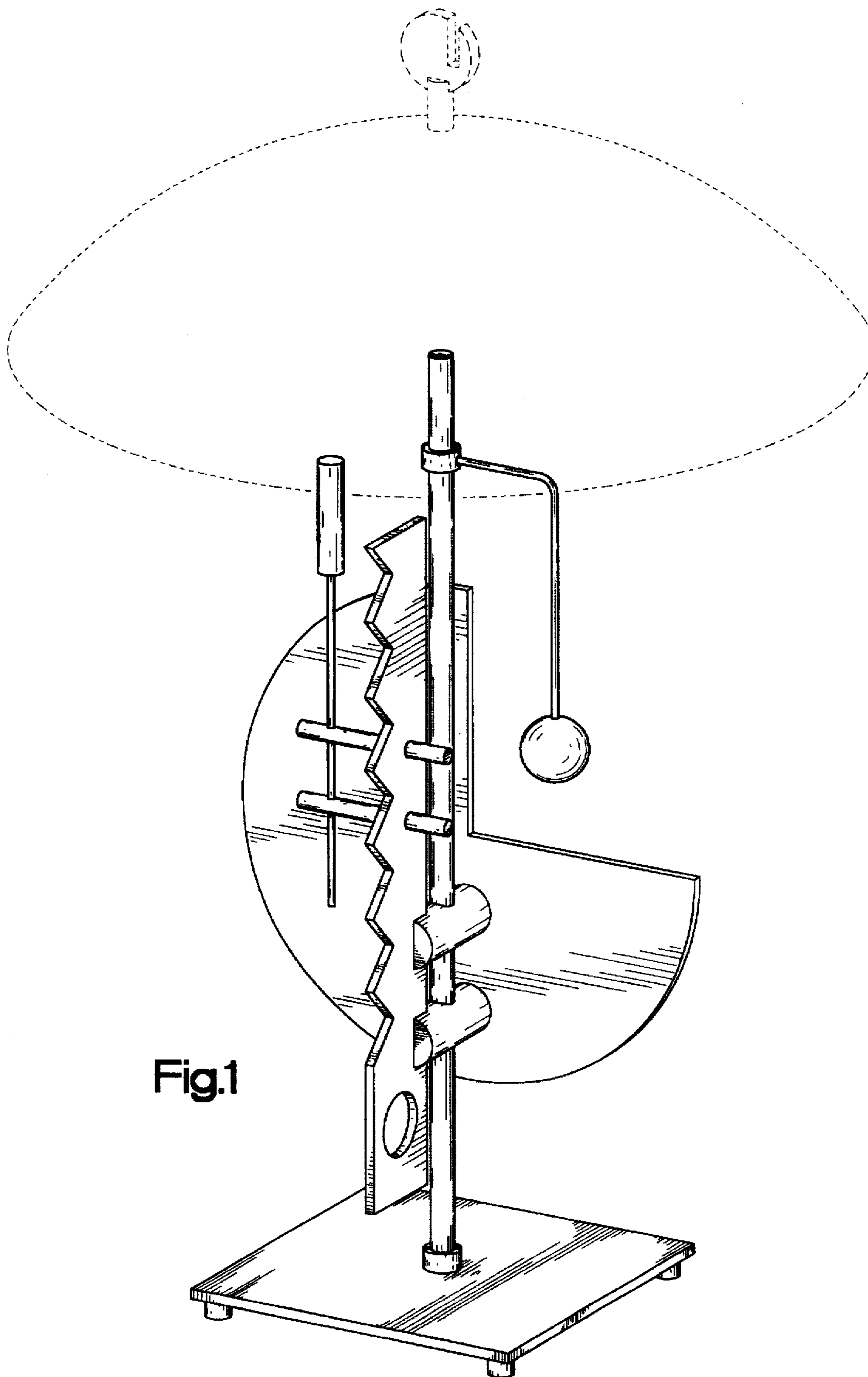


Fig.1

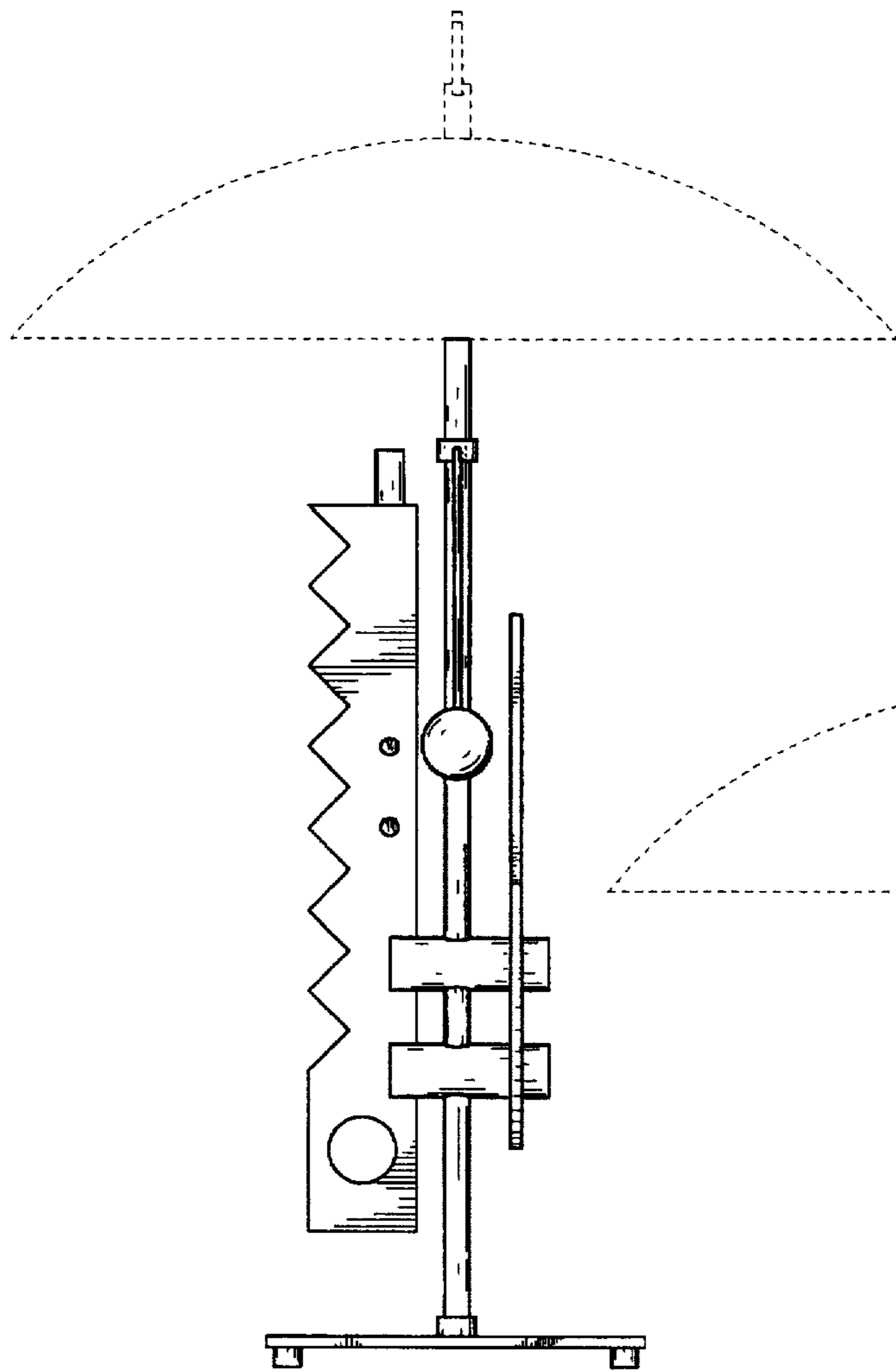


Fig.2

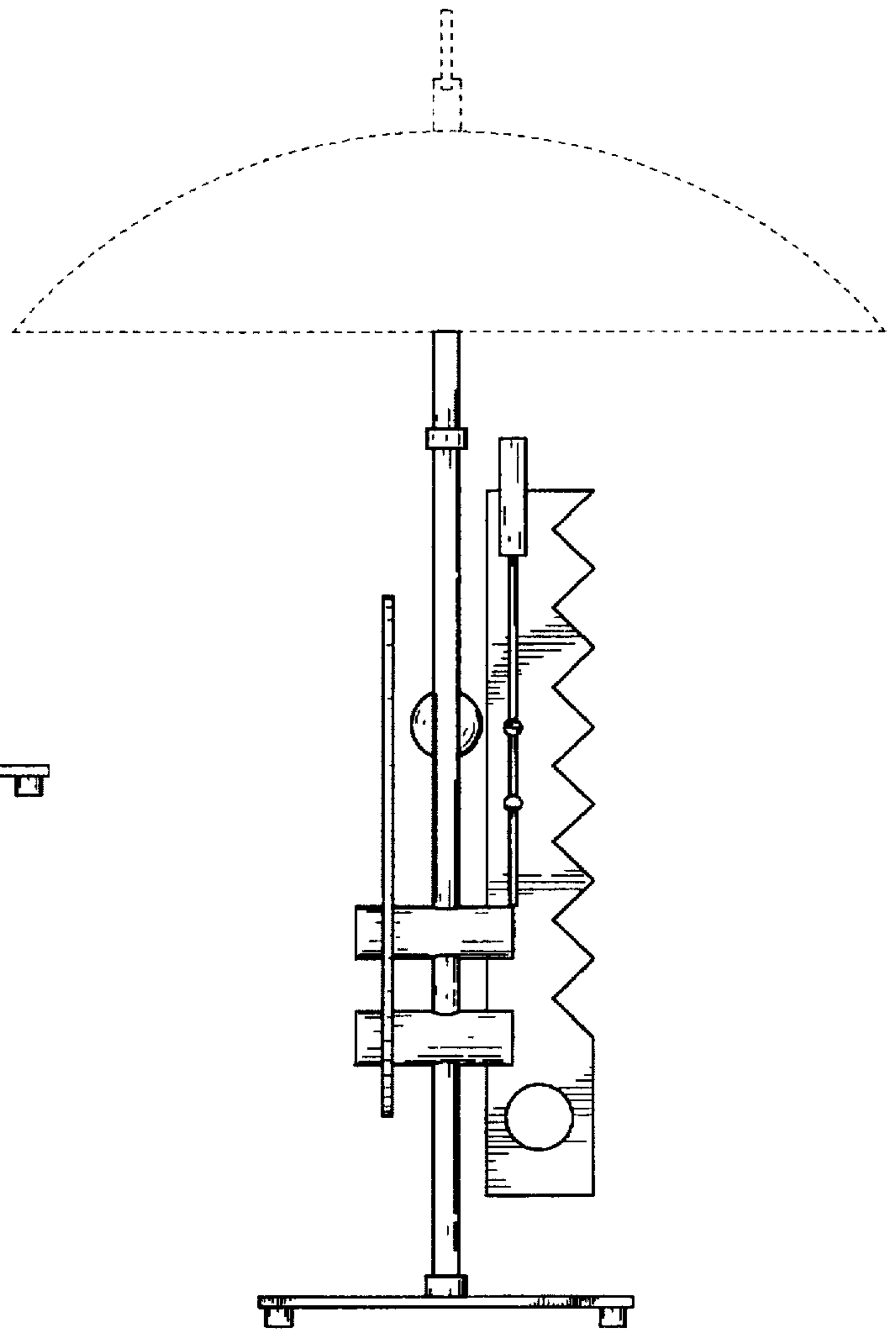


Fig.3

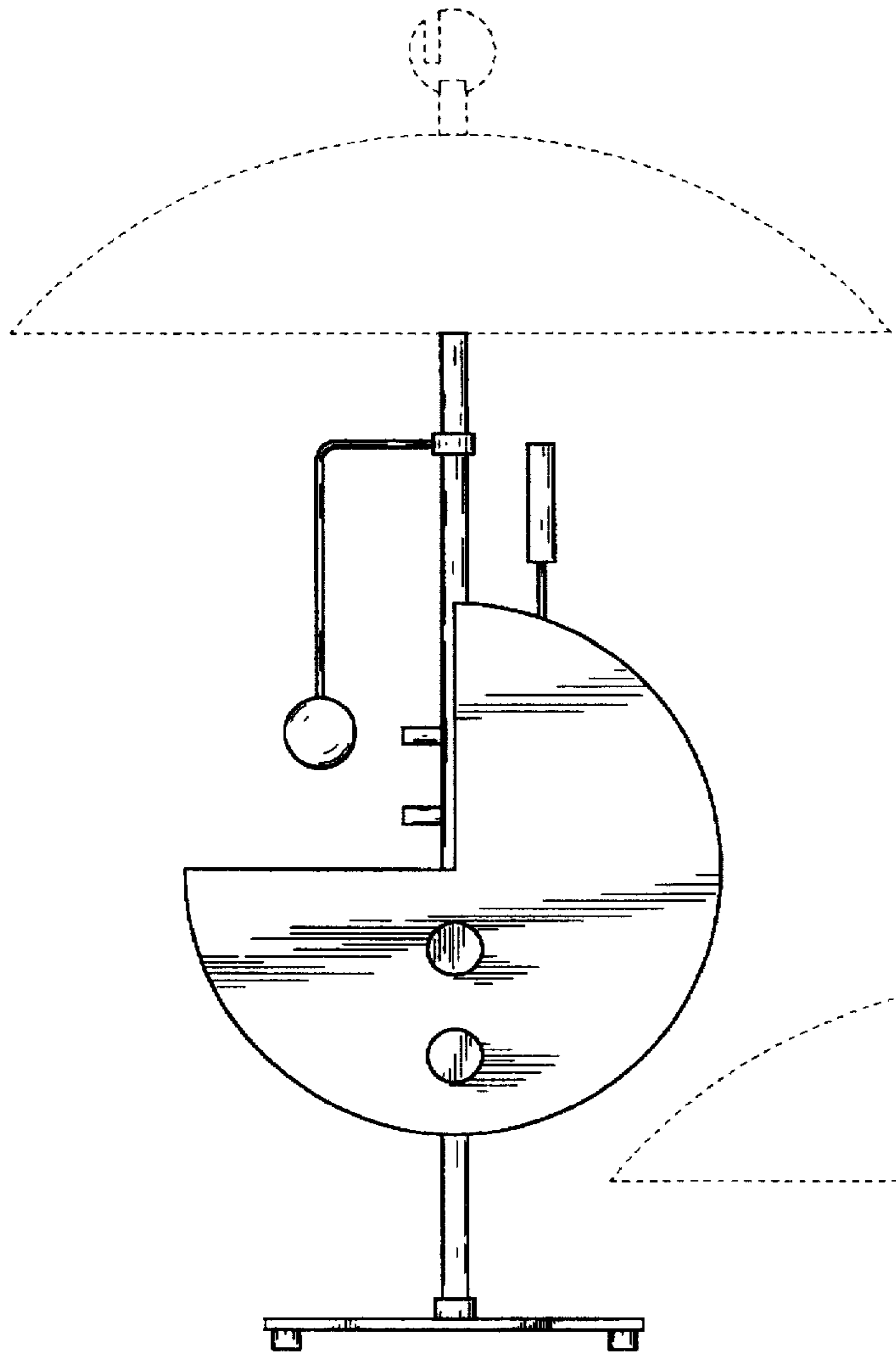


Fig.4

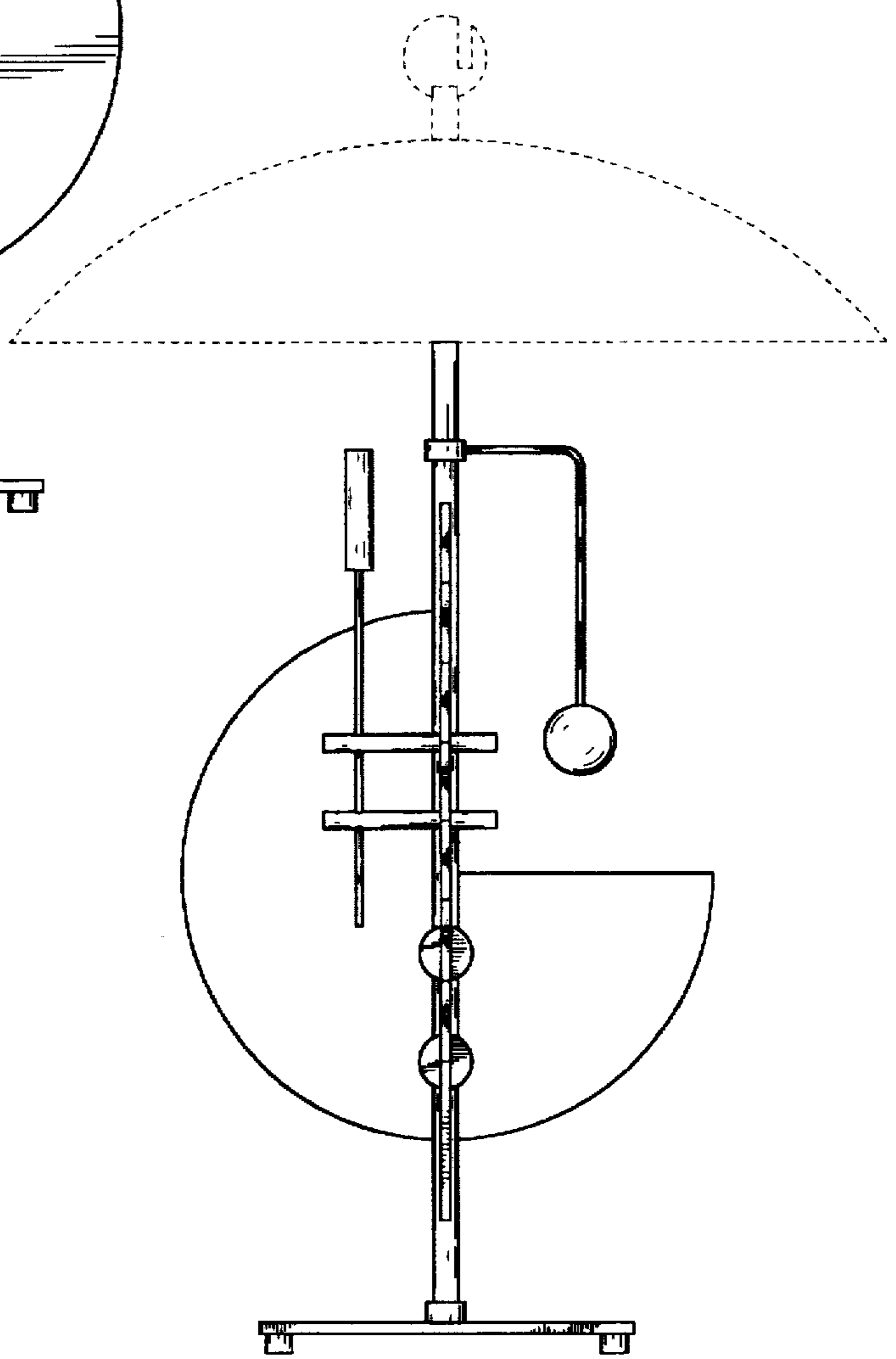


Fig.5

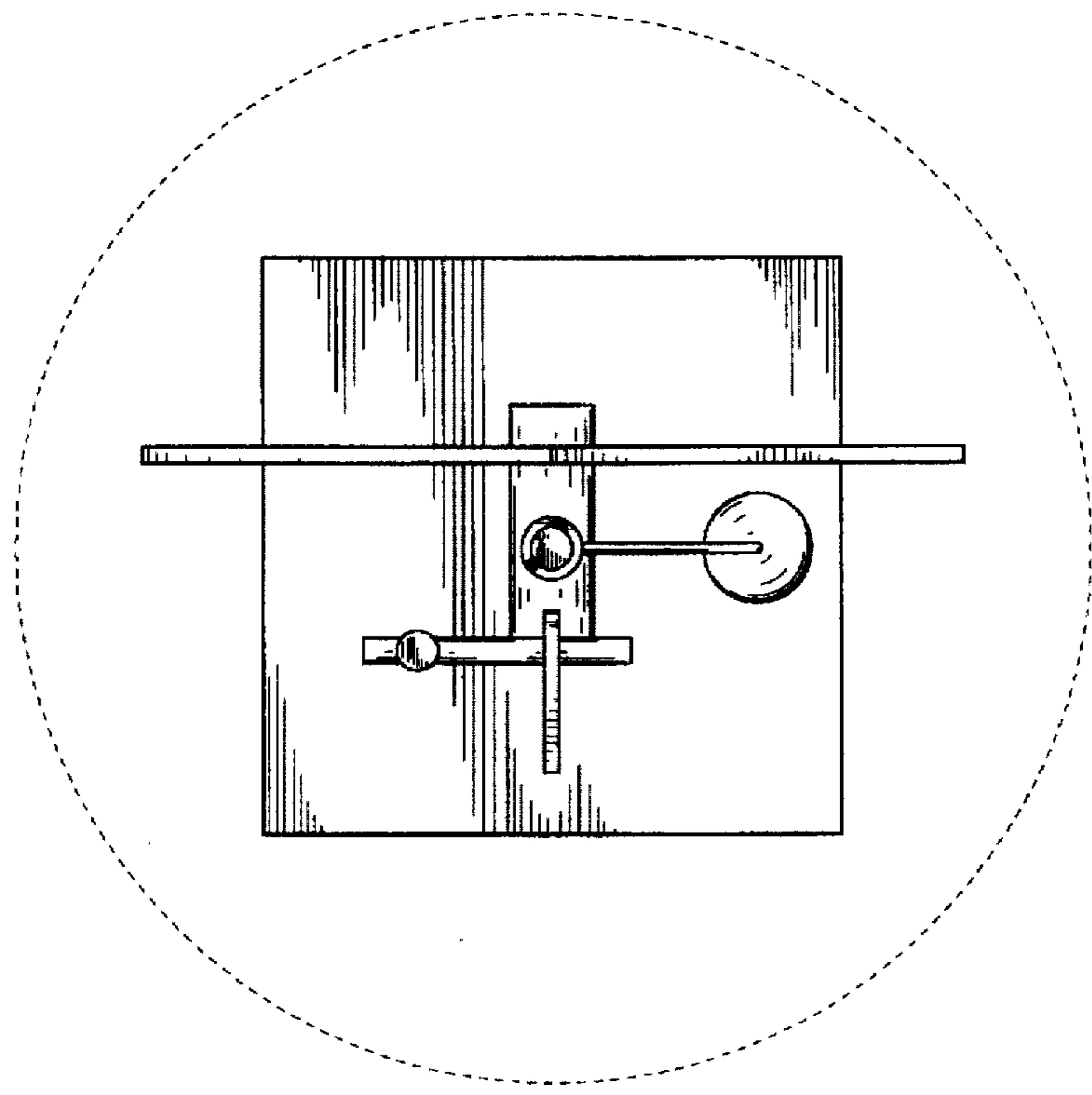


Fig.6

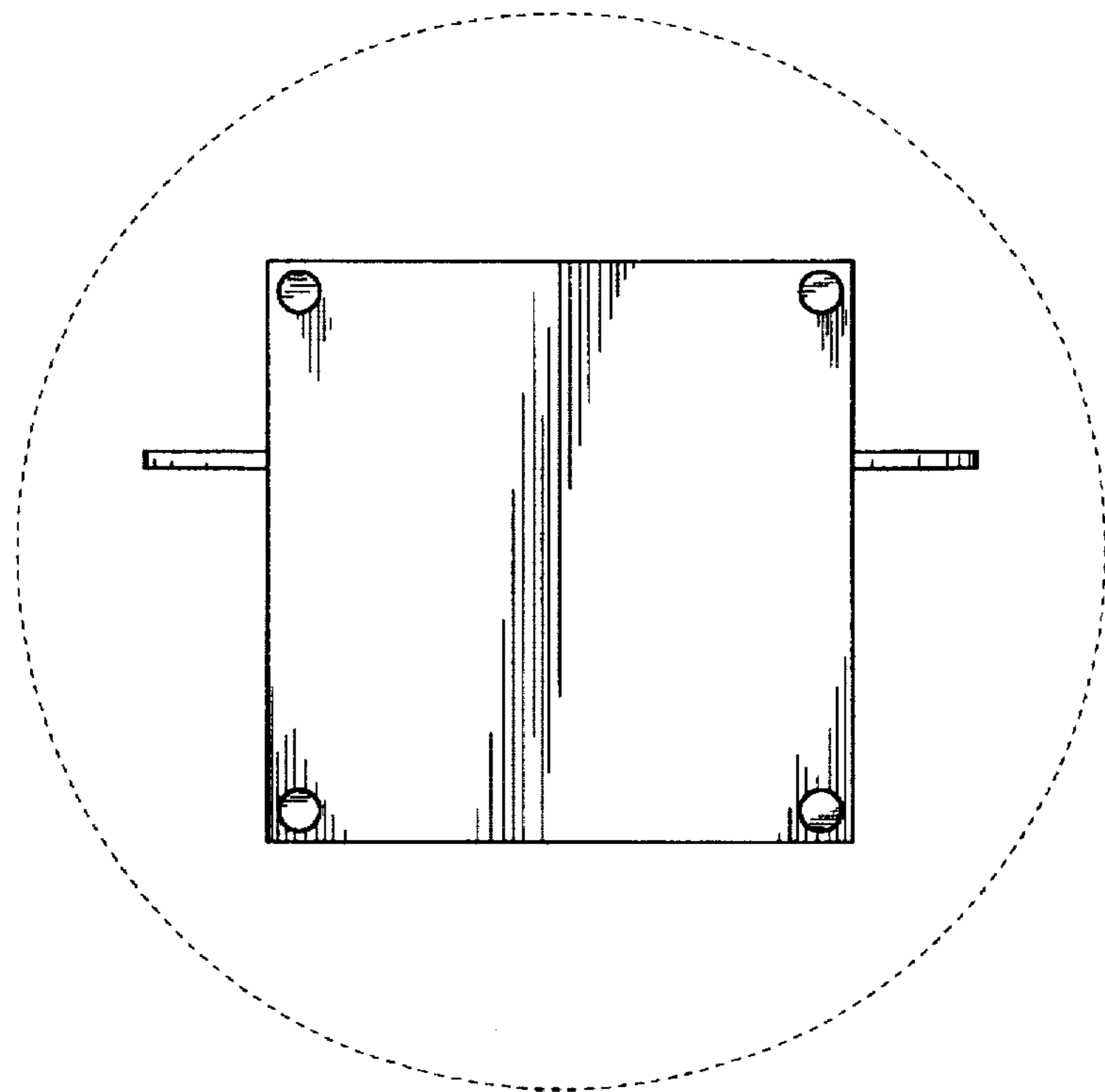


Fig.7