

US00D392763S

United States Patent [19]

Denison et al.

[11] Patent Number: **Des. 392,763**

[45] Date of Patent: ****Mar. 24, 1998**

[54] **OUTDOOR ELECTRICAL LIGHTING FIXTURE**

[75] Inventors: **John F. Denison, Lake Villa, Ill.; Robert D. Giese, Kenosha, Wis.**

[73] Assignee: **Intermatic Incorporated, Spring Grove, Ill.**

[**] Term: **14 Years**

[21] Appl. No.: **66,450**

[22] Filed: **Feb. 11, 1997**

[51] LOC (6) Cl. **26-05**

[52] U.S. Cl. **D26/68; D26/101; D26/127**

[58] Field of Search **D26/67-71, 127, D26/101; 362/153, 153.1, 410, 413, 414, 431**

[56] **References Cited**

PUBLICATIONS

Bright Lighting Co. catalog, p. 80, exterior lamp, C-5001, Jan. 1995.
Elgee Lighting catalog, p. 52, shade, wall lamp #406-PB, 1991.

Home Lighting and Accessories, p. 33, Rockscapes decorative path lights, Mar. 1995.

House and Garden, p. 39, garden light, Aug. 1961.

Primary Examiner—Susan J. Lucas

Attorney, Agent, or Firm—Brinks Hofer Gilson & Lione

[57] **CLAIM**

The ornamental design for an outdoor electrical lighting fixture, as shown and described.

DESCRIPTION

FIG. 1 is a perspective view of an outdoor electrical lighting fixture showing our new design;

FIG. 2 is a side view thereof;

FIG. 3 is a back view thereof;

FIG. 4 is a front view thereof;

FIG. 5 is a top view thereof; and,

FIG. 6 is a bottom view thereof.

The broken lines are shown for illustrative purposes only and form no part of the claimed design.

1 Claim, 4 Drawing Sheets

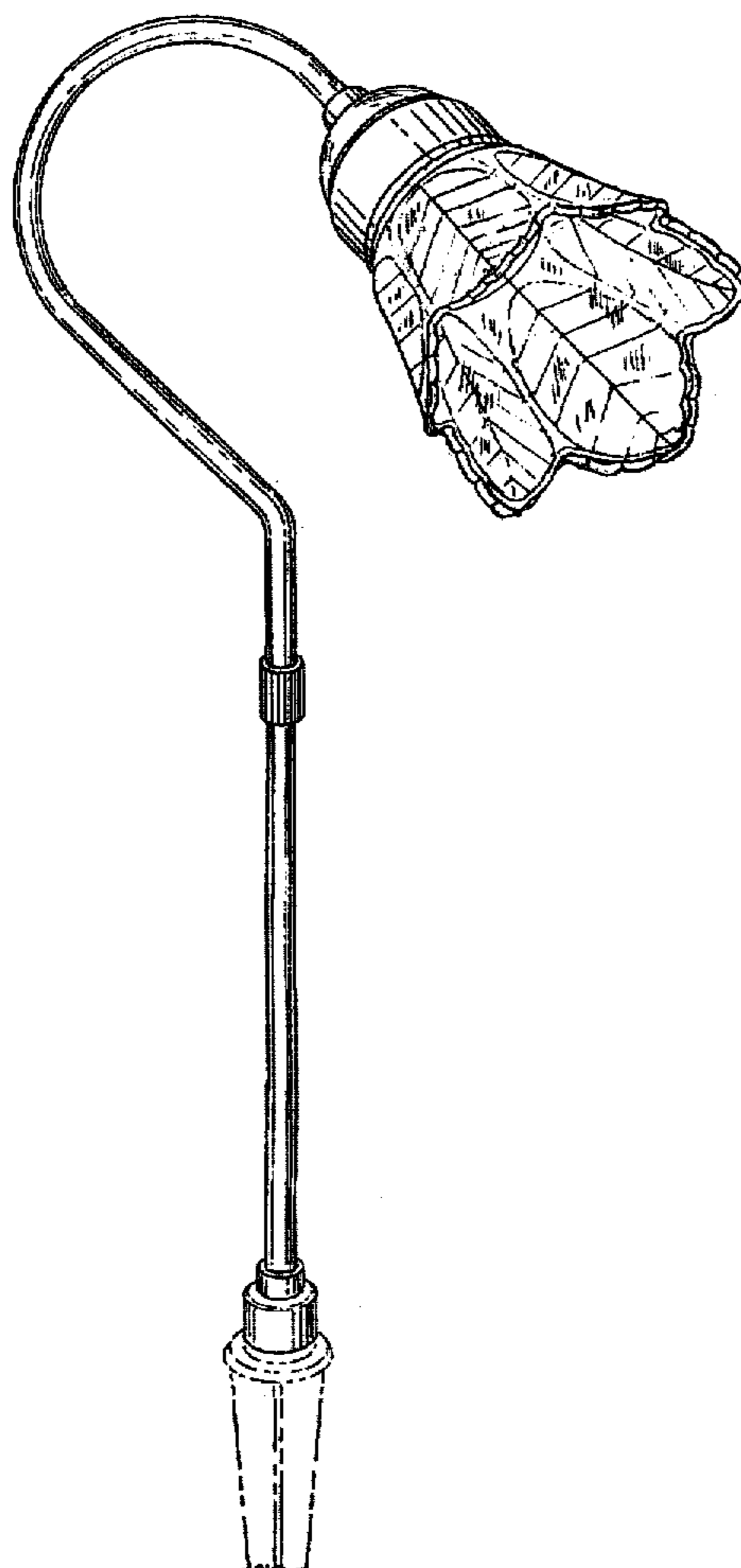


FIG. 1

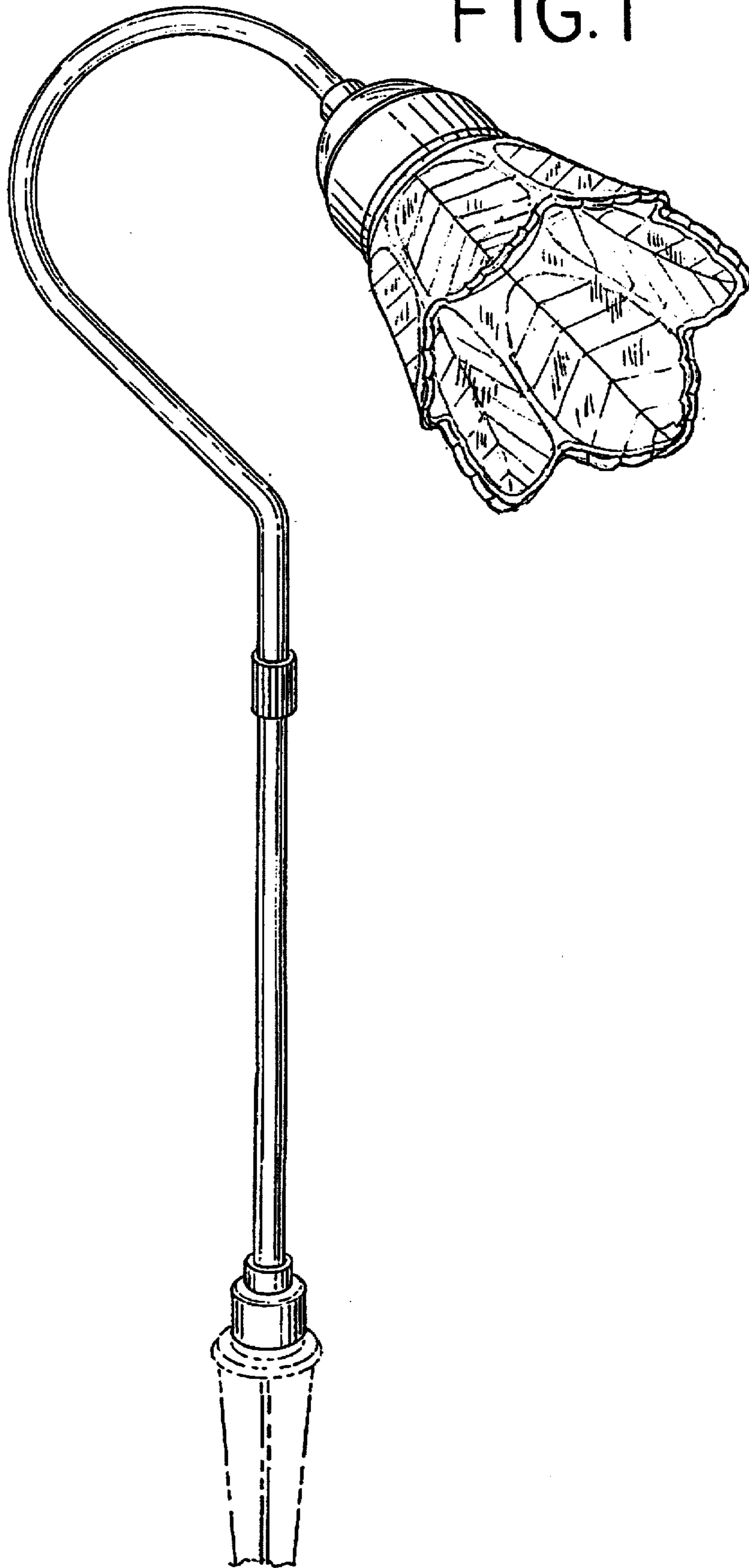


FIG. 2

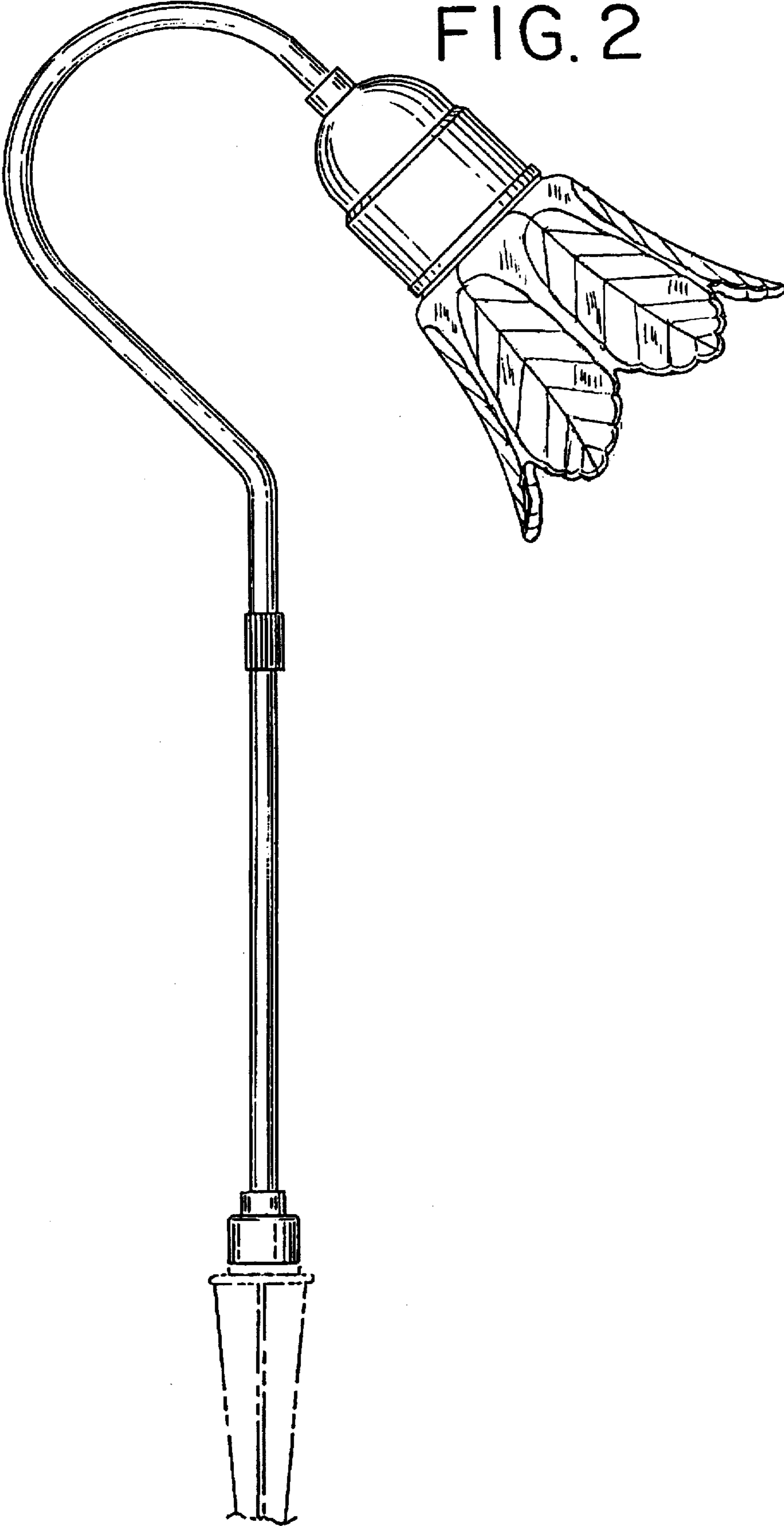


FIG. 3

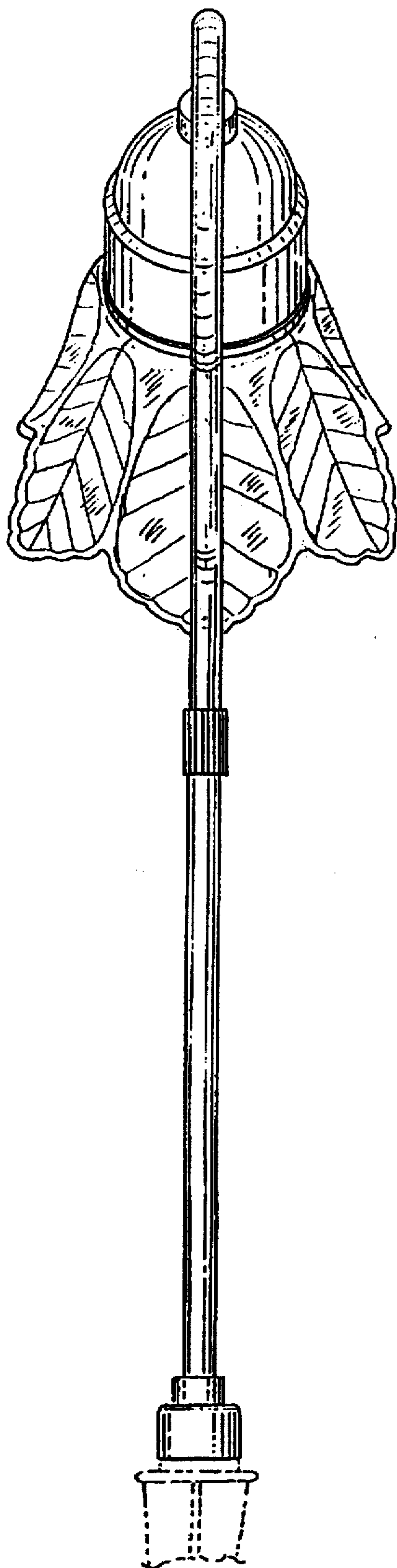


FIG. 4

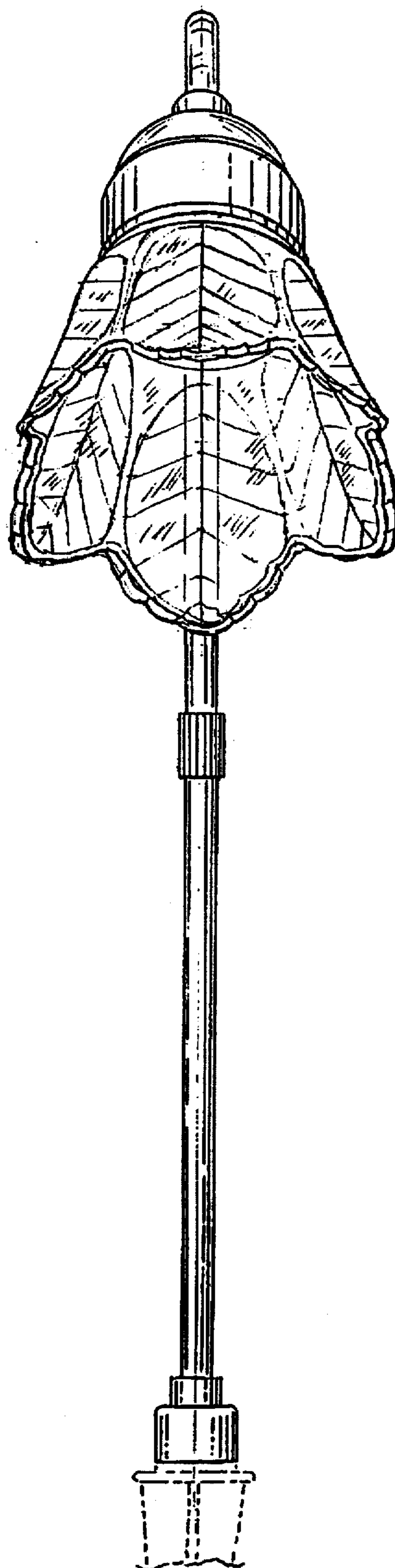


FIG. 5

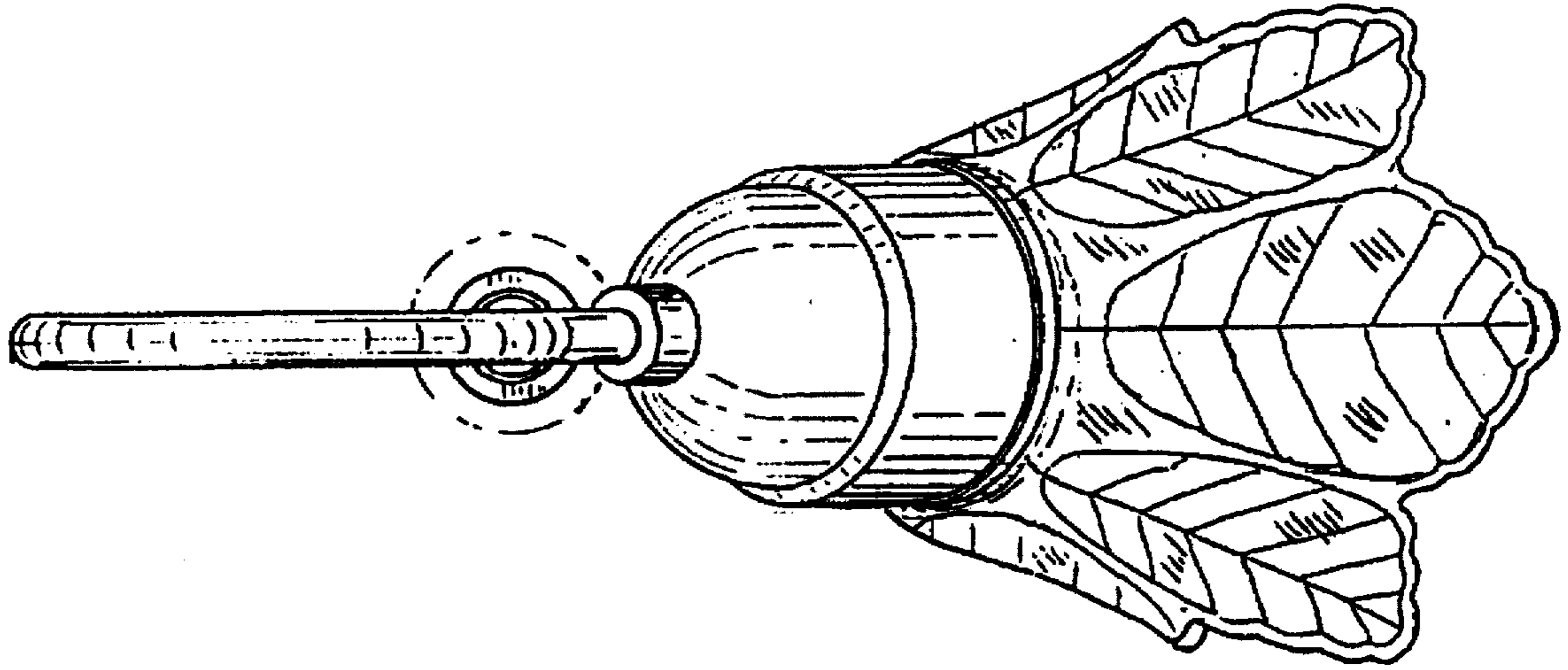


FIG. 6

