



US00D392761S

United States Patent [19]

Bellini et al.

[11] Patent Number: Des. 392,761

[45] Date of Patent: **Mar. 24, 1998

[54] SPOT LAMP

[75] Inventors: **Mario Bellini; Claudio Bellini**, both of Milan, Italy

[73] Assignee: **Artemide S.p.A.**, Milan, Italy

[**] Term: **14 Years**

[21] Appl. No.: **44,815**

[22] Filed: **Sep. 28, 1995**

[30] Foreign Application Priority Data

Mar. 31, 1995 [IT] Italy TO9500081

[51] LOC (6) Cl. **26-05**

[52] U.S. Cl. **D26/63**

[58] Field of Search D26/61, 63, 65; 362/269, 275, 418, 419, 427, 421, 371, 804, 294

[56] References Cited

U.S. PATENT DOCUMENTS

D. 127,833 6/1941 Price D26/63

D. 128,967	8/1941	Peterson	D26/63
D. 146,809	5/1947	Robinson	D26/63
D. 260,299	8/1981	D'Ercoli	D26/63
D. 297,671	9/1988	Groh	D26/63
D. 312,140	11/1990	Jönsson	D26/63

Primary Examiner—Susan J. Lucas
Attorney, Agent, or Firm—Kane, Dalsimer, Sullivan, Kurucz, Levy, Eisele and Richard, LLP

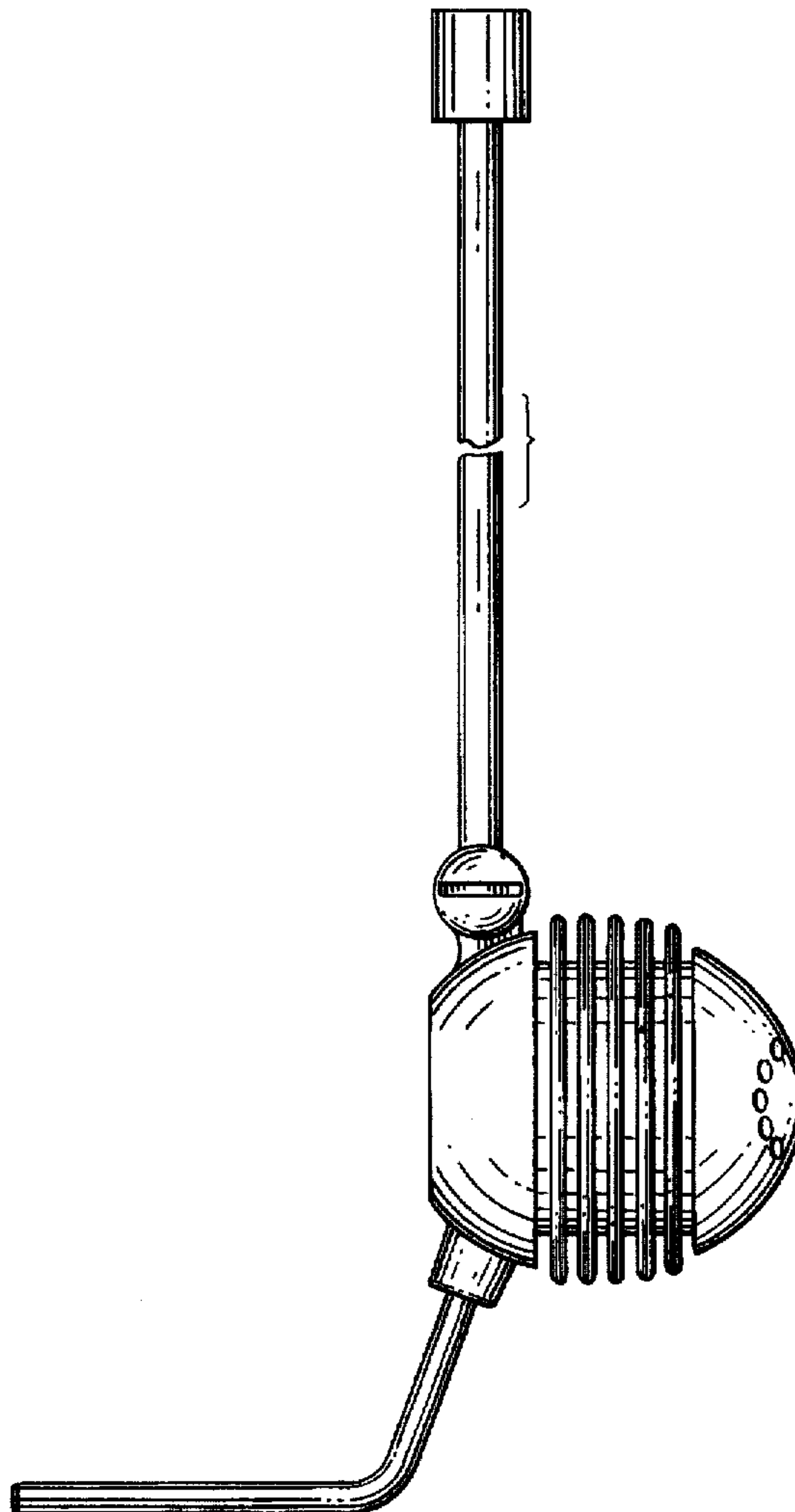
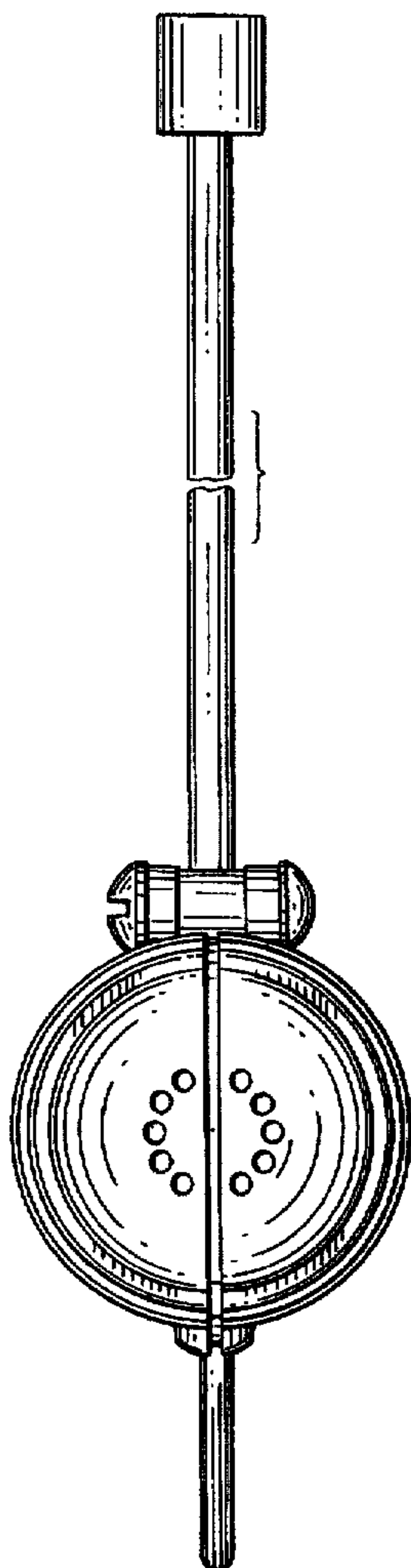
[57] CLAIM

The ornamental design for a spot lamp, as shown and described.

DESCRIPTION

FIG. 1 is a front view of our new design relating to a spot lamp;
FIG. 2 is a rear view thereof;
FIG. 3 is a left side view thereof;
FIG. 4 is a right side view thereof;
FIG. 5 is a top plan view thereof; and,
FIG. 6 is a bottom plan view thereof.
The support arm is broken away to indicate indeterminate length.

1 Claim, 5 Drawing Sheets



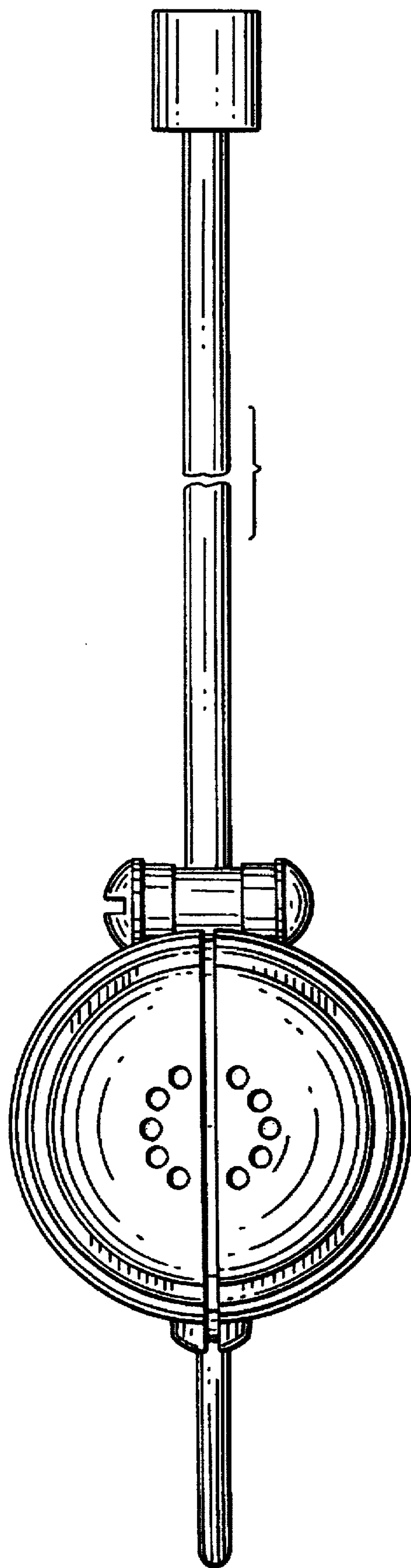


FIG. 1

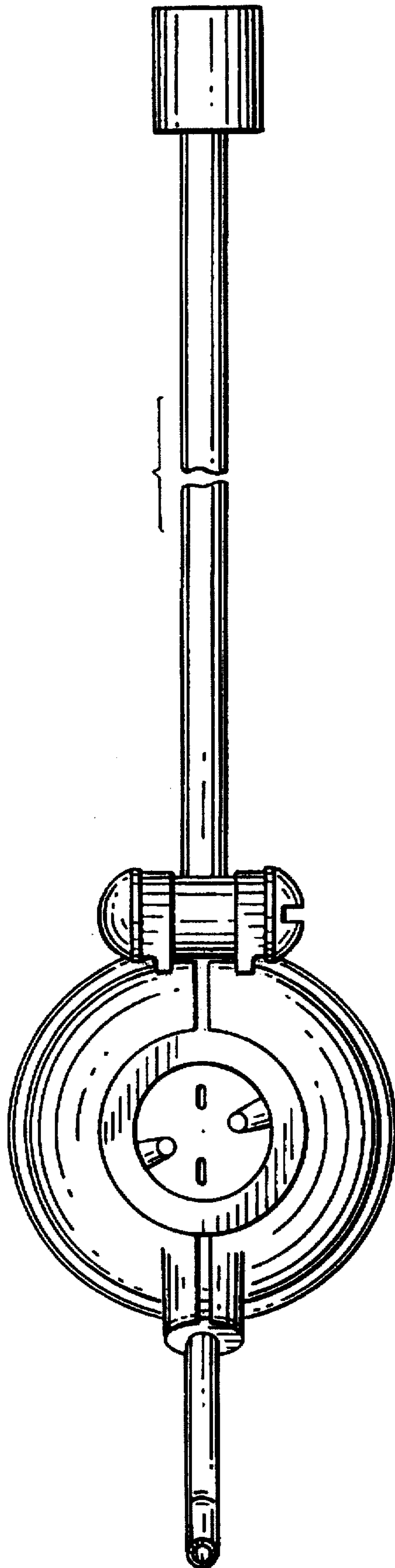


FIG. 2

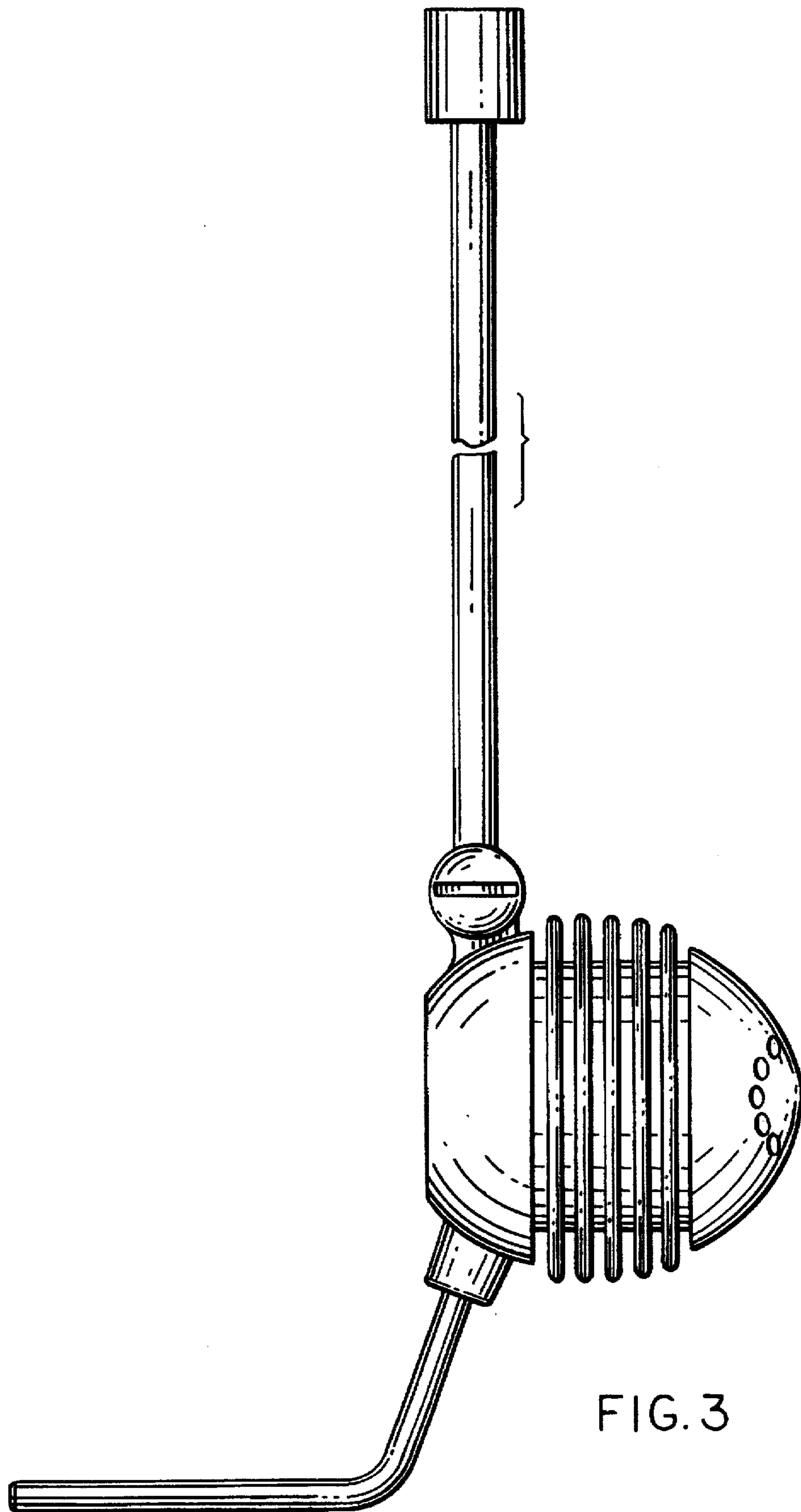


FIG. 3

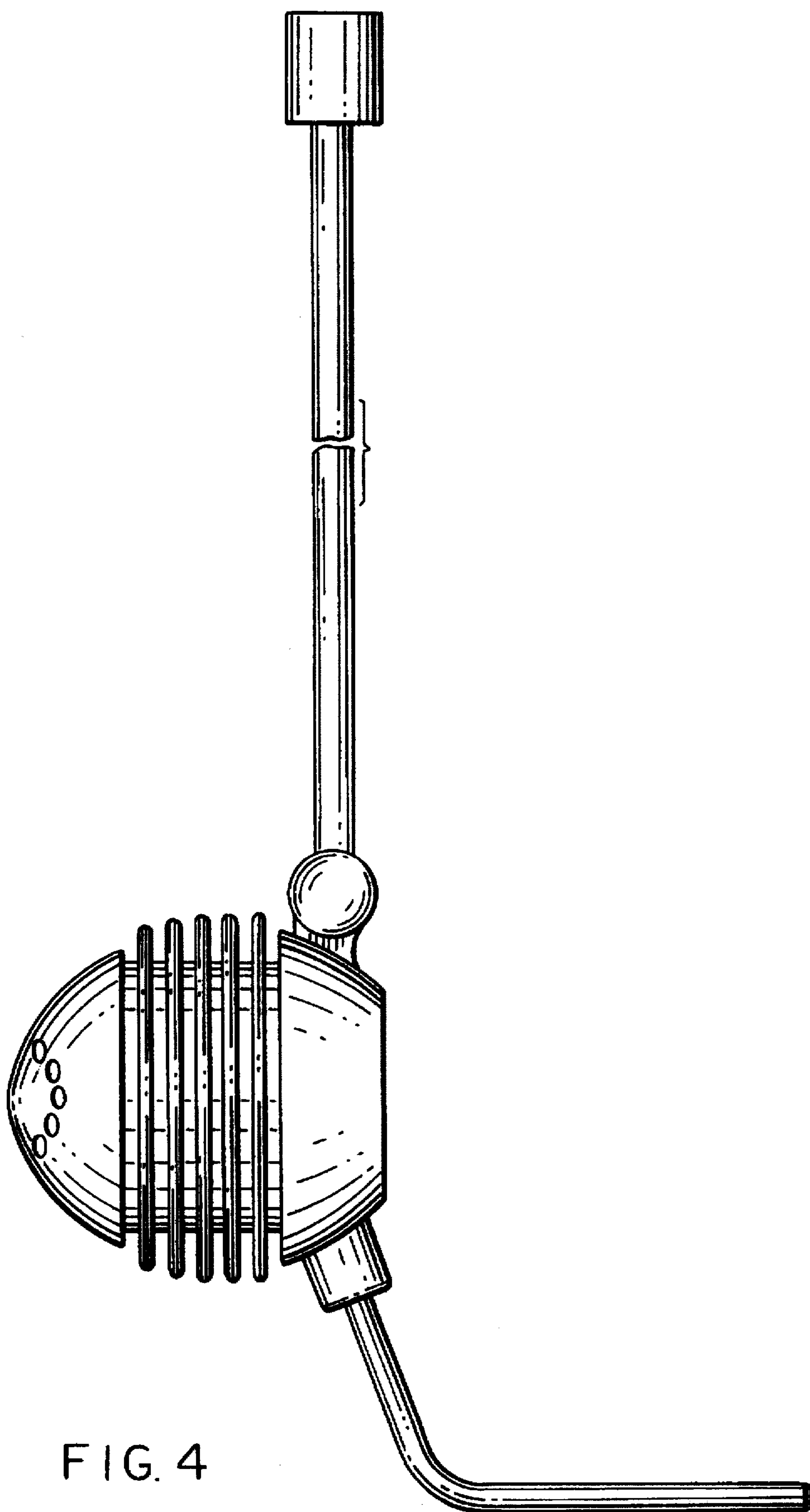


FIG. 4

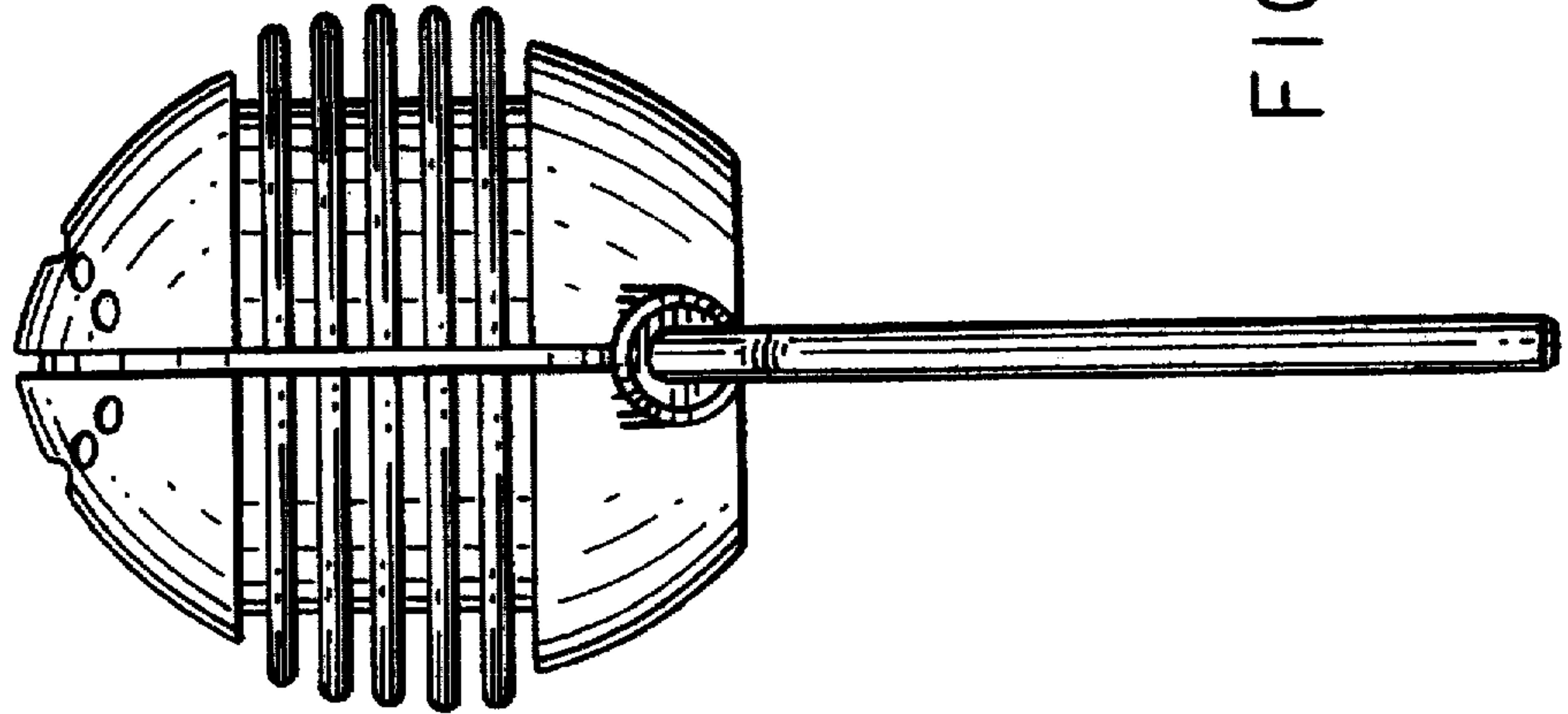


FIG. 6

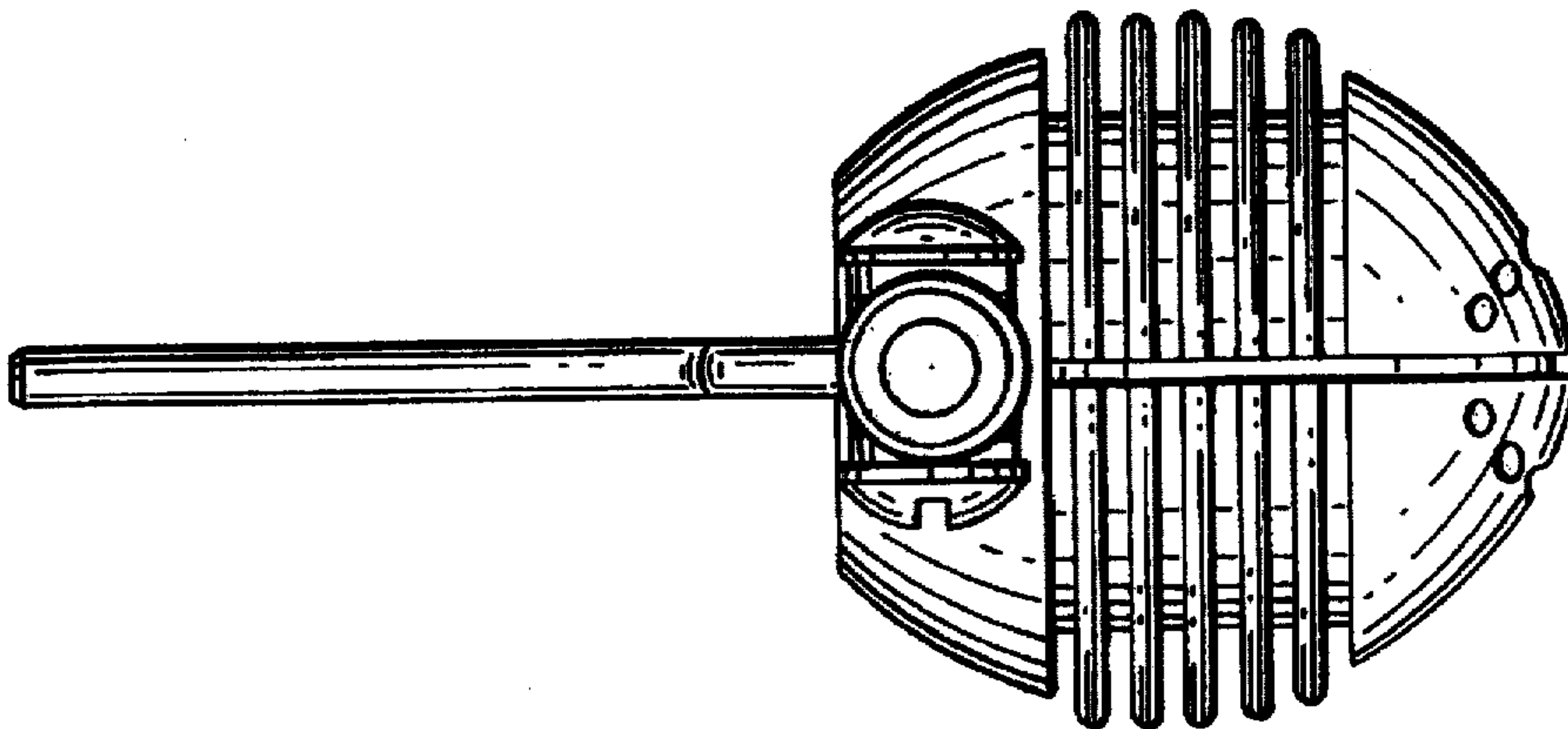


FIG. 5