



US00D392760S

United States Patent [19]
Wu

[11] **Patent Number:** **Des. 392,760**
[45] **Date of Patent:** ****Mar. 24, 1998**

[54] **LAMP**
[76] **Inventor:** **Jau-Rong Wu**, No. 185, Chien Ping
3rd St., Tainan, Taiwan
[**] **Term:** **14 Years**
[21] **Appl. No.:** **71,345**
[22] **Filed:** **May 28, 1997**
[51] **LOC (6) Cl.** **26-05**
[52] **U.S. Cl.** **D26/62**
[58] **Field of Search** D26/61, 62, 63,
D26/65; 362/410-414, 418, 419, 427, 267,
275, 285

D. 317,660 6/1991 Ketoff D26/65
D. 382,362 8/1997 Huang D26/65

Primary Examiner—Susan J. Lucas
Attorney, Agent, or Firm—Morton J. Rosenberg; David I.
Klein; Jun Y. Lee

[57] **CLAIM**

The ornamental design for a lamp, as shown.

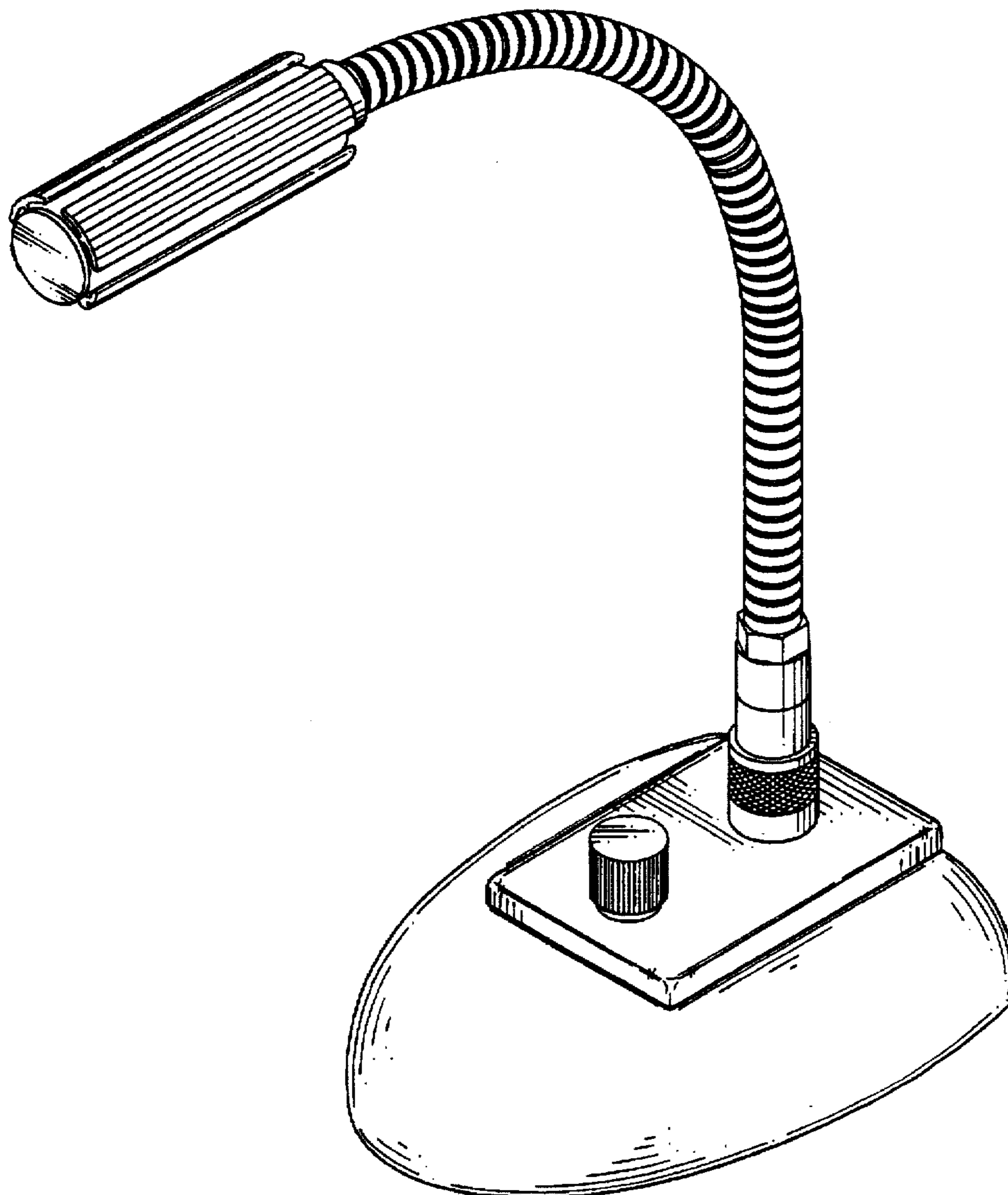
DESCRIPTION

FIG. 1 is a perspective view of a lamp showing my new design;
FIG. 2 is a right side view thereof;
FIG. 3 is a left side view thereof;
FIG. 4 is a front view thereof;
FIG. 5 is a rear view thereof;
FIG. 6 is a top view thereof; and,
FIG. 7 is a bottom view thereof.

[56] **References Cited**
U.S. PATENT DOCUMENTS

D. 282,011 12/1985 Fackert D26/62

1 Claim, 5 Drawing Sheets



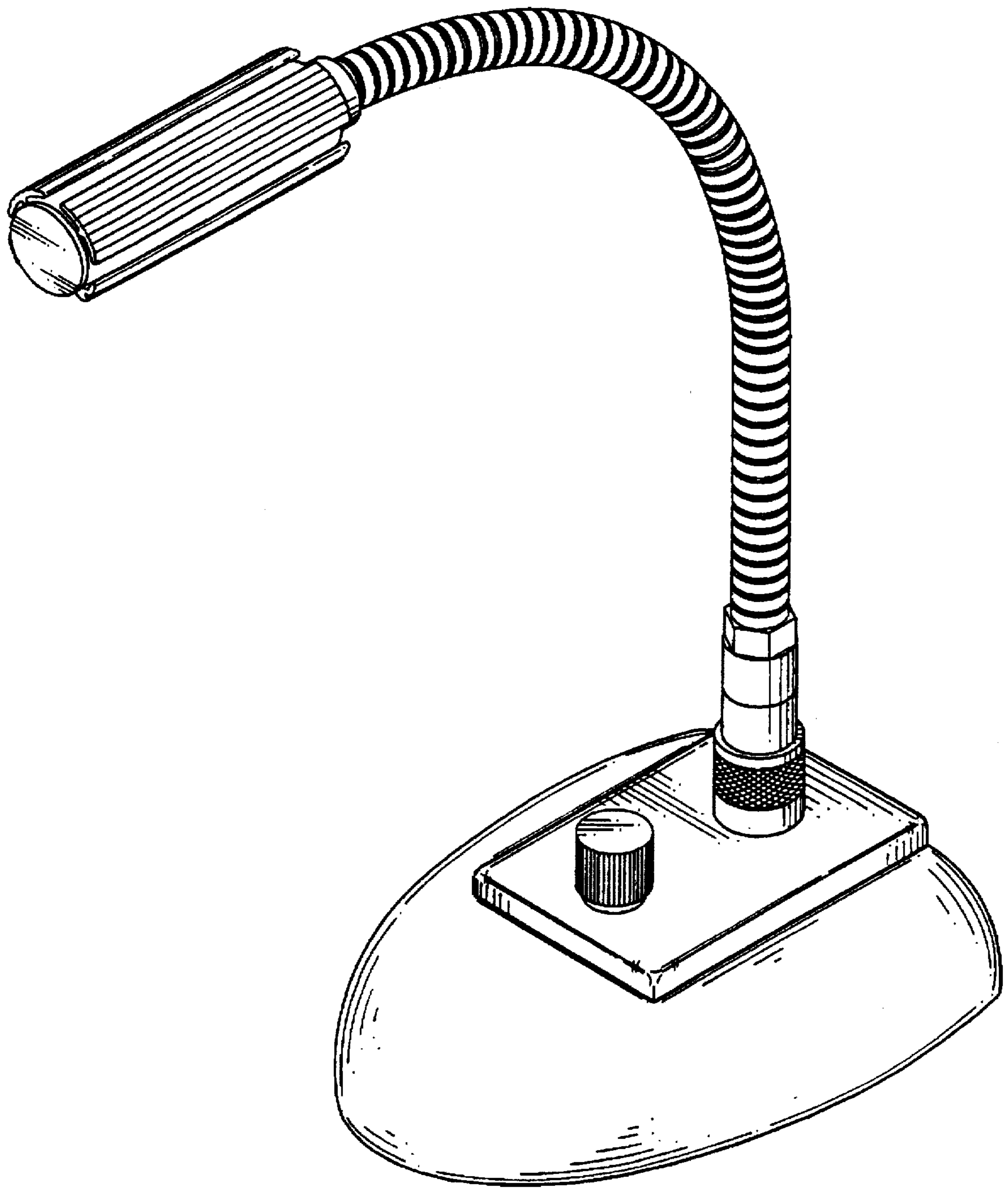


FIG. 1

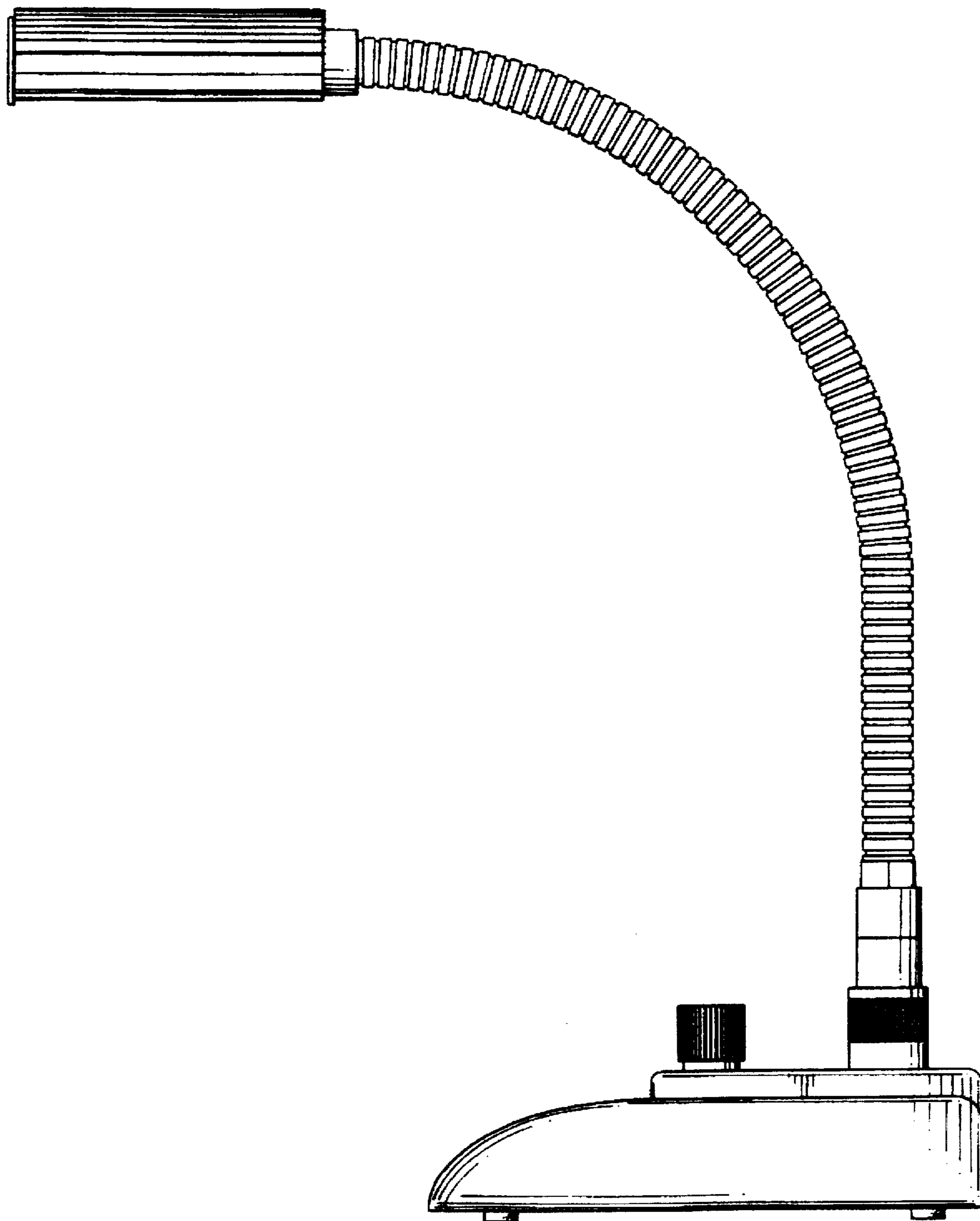


FIG. 2

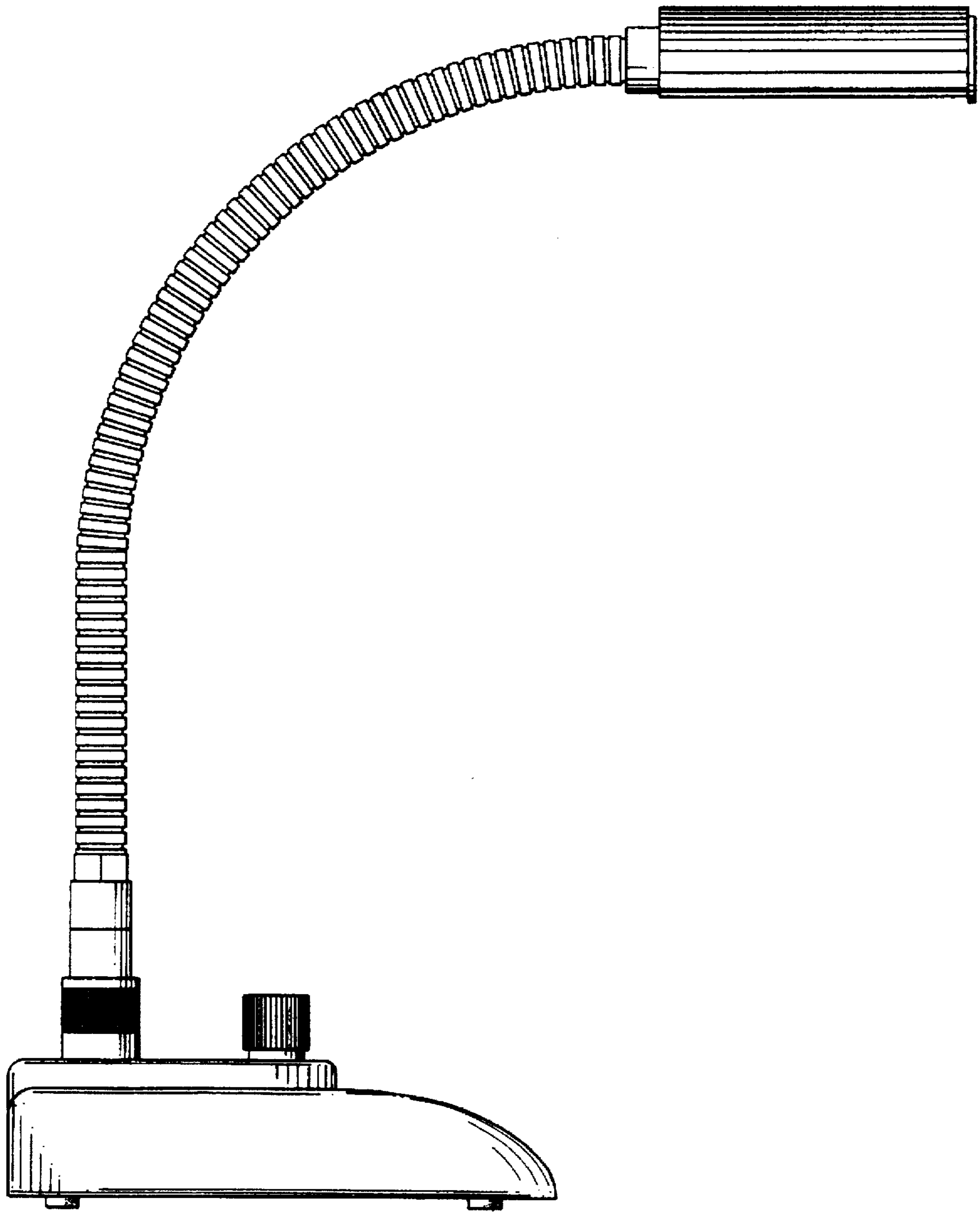


FIG. 3

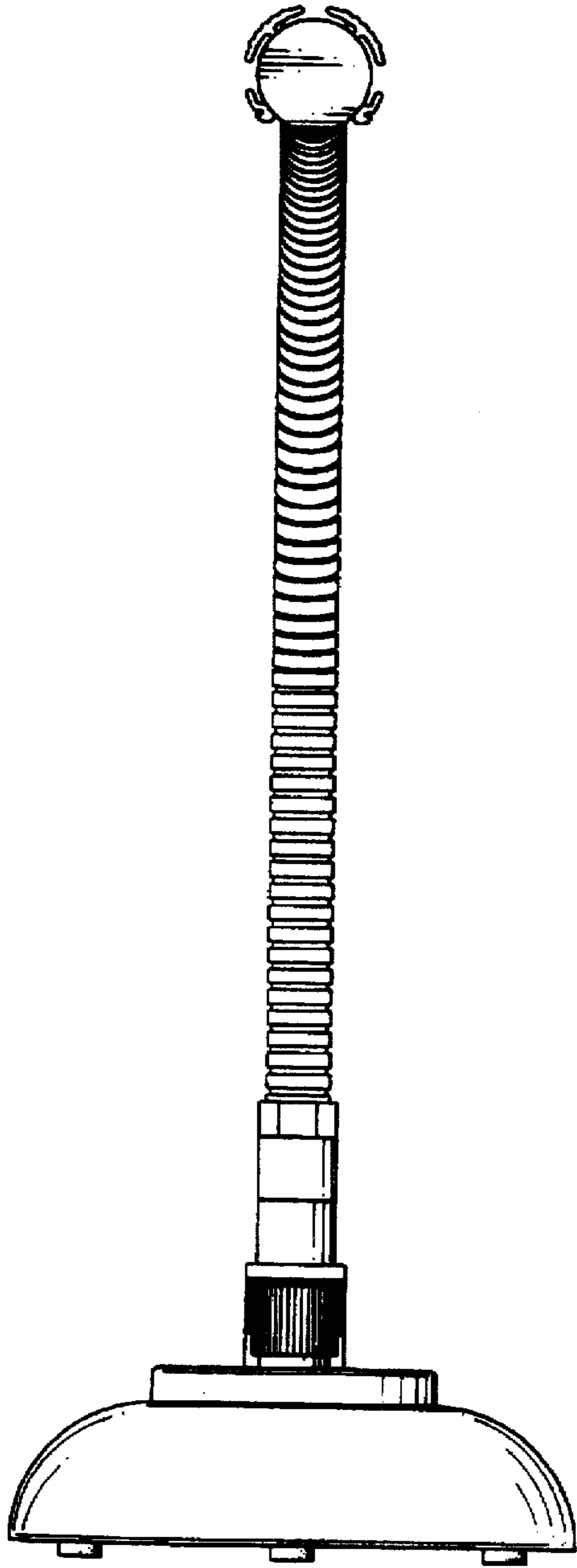


FIG. 4

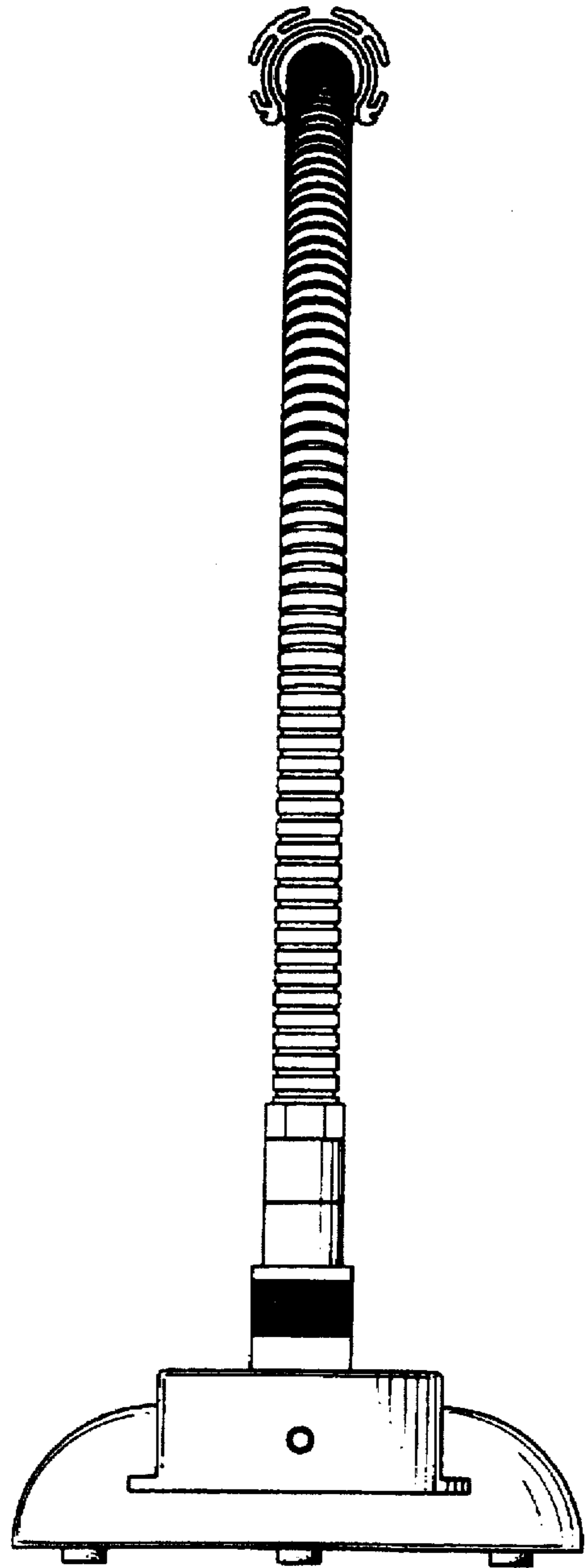


FIG. 5

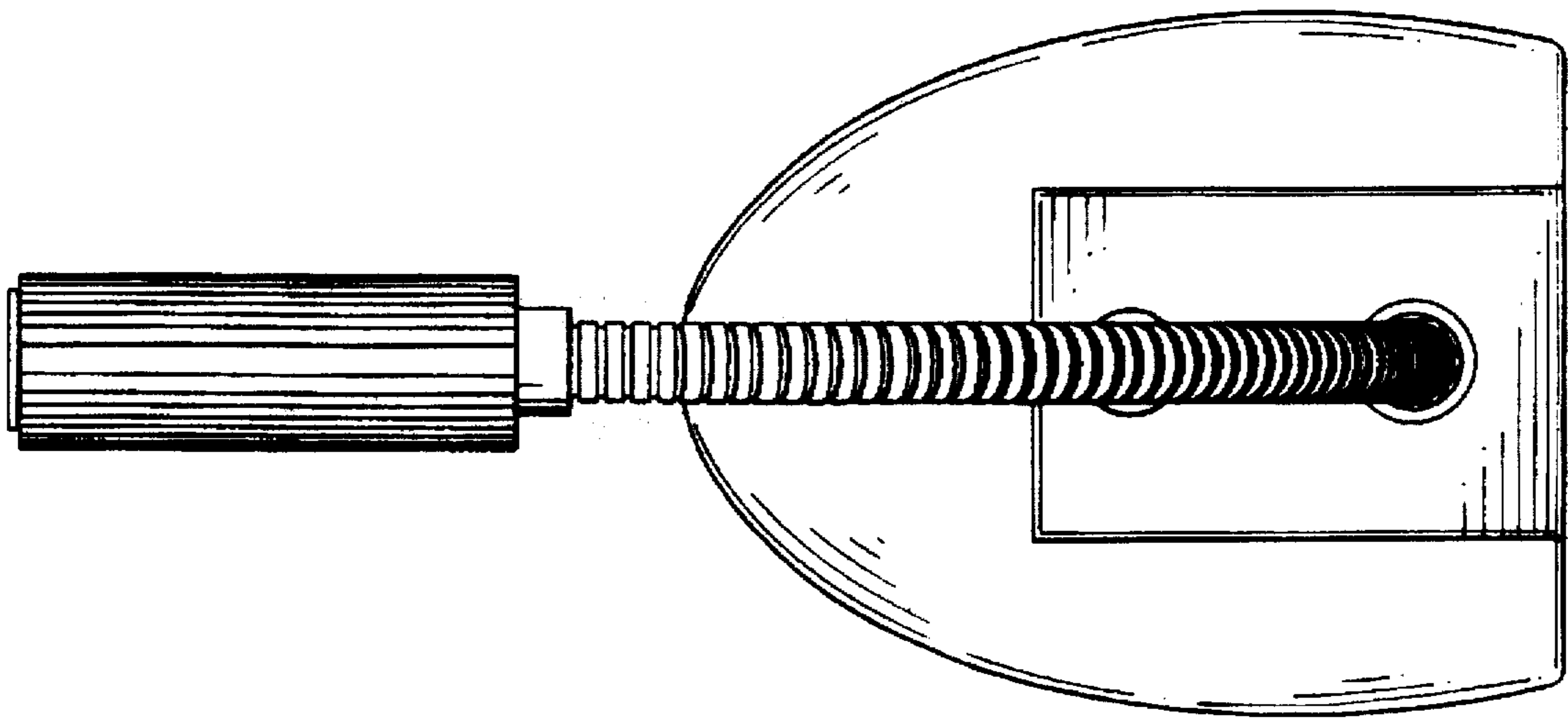


FIG. 6

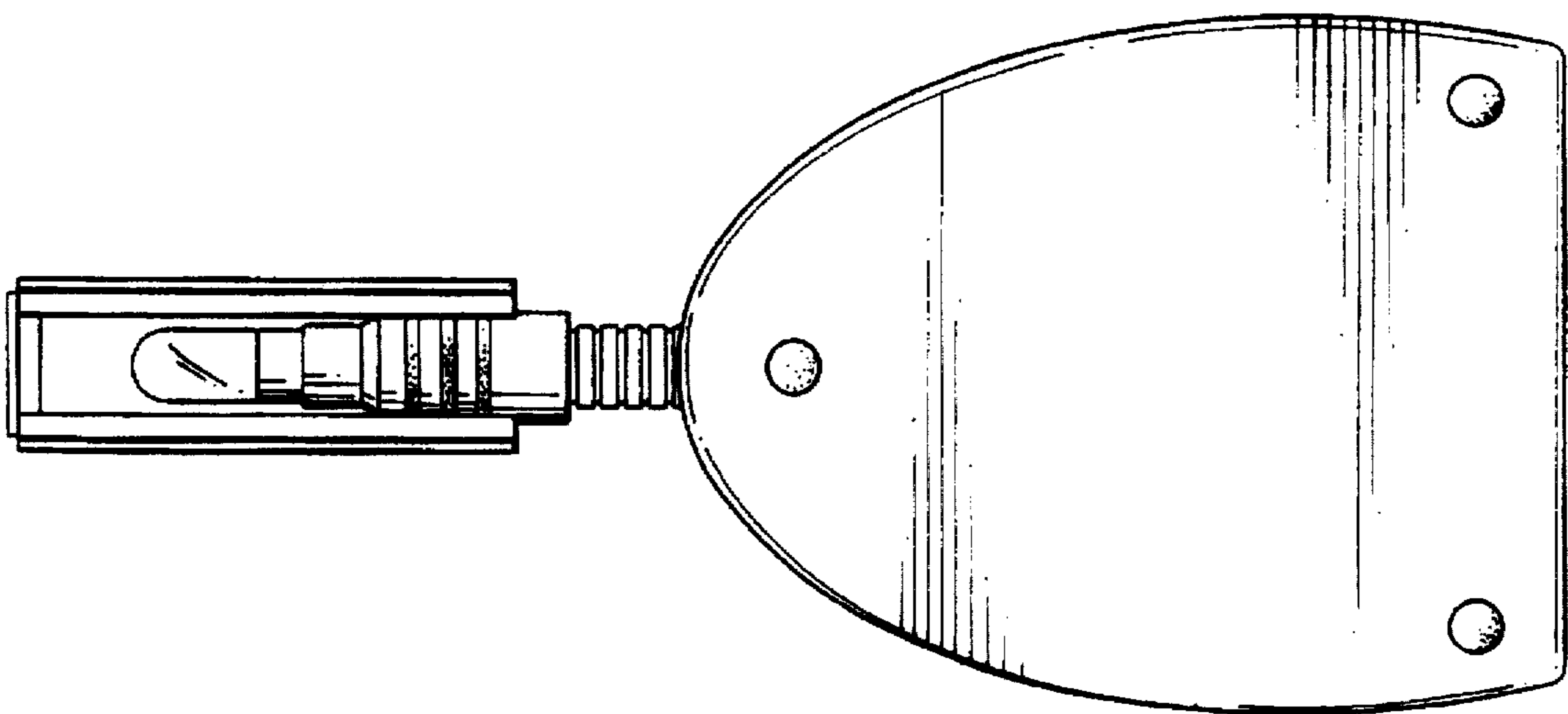


FIG. 7