



US00D392757S

**United States Patent** [19]  
**Burns**

[11] **Patent Number: Des. 392,757**  
[45] **Date of Patent: \*\*Mar. 24, 1998**

- [54] **RECHARGEABLE FLASHLIGHT**
- [75] **Inventor: Bruce Burns, Portland, Oreg.**
- [73] **Assignee: Burns Bros., Inc., Portland, Oreg.**
- [\*\*] **Term: 14 Years**
- [21] **Appl. No.: 72,516**
- [22] **Filed: Jun. 19, 1997**
- [51] **LOC (6) Cl. .... 26-02**
- [52] **U.S. Cl. .... D26/37**
- [58] **Field of Search ..... D26/37-50; 362/157,**  
362/158, 171, 172, 178, 181, 183, 192,  
194, 196, 197, 200-206

- D. 368,318 3/1996 Furth et al. .... D26/49
- D. 368,971 4/1996 Garrity ..... D26/46

*Primary Examiner*—Marcus A. Jackson  
*Attorney, Agent, or Firm*—Shapiro and Shapiro

[57] **CLAIM**

The ornamental design for a rechargeable flashlight, as shown and described.

**DESCRIPTION**

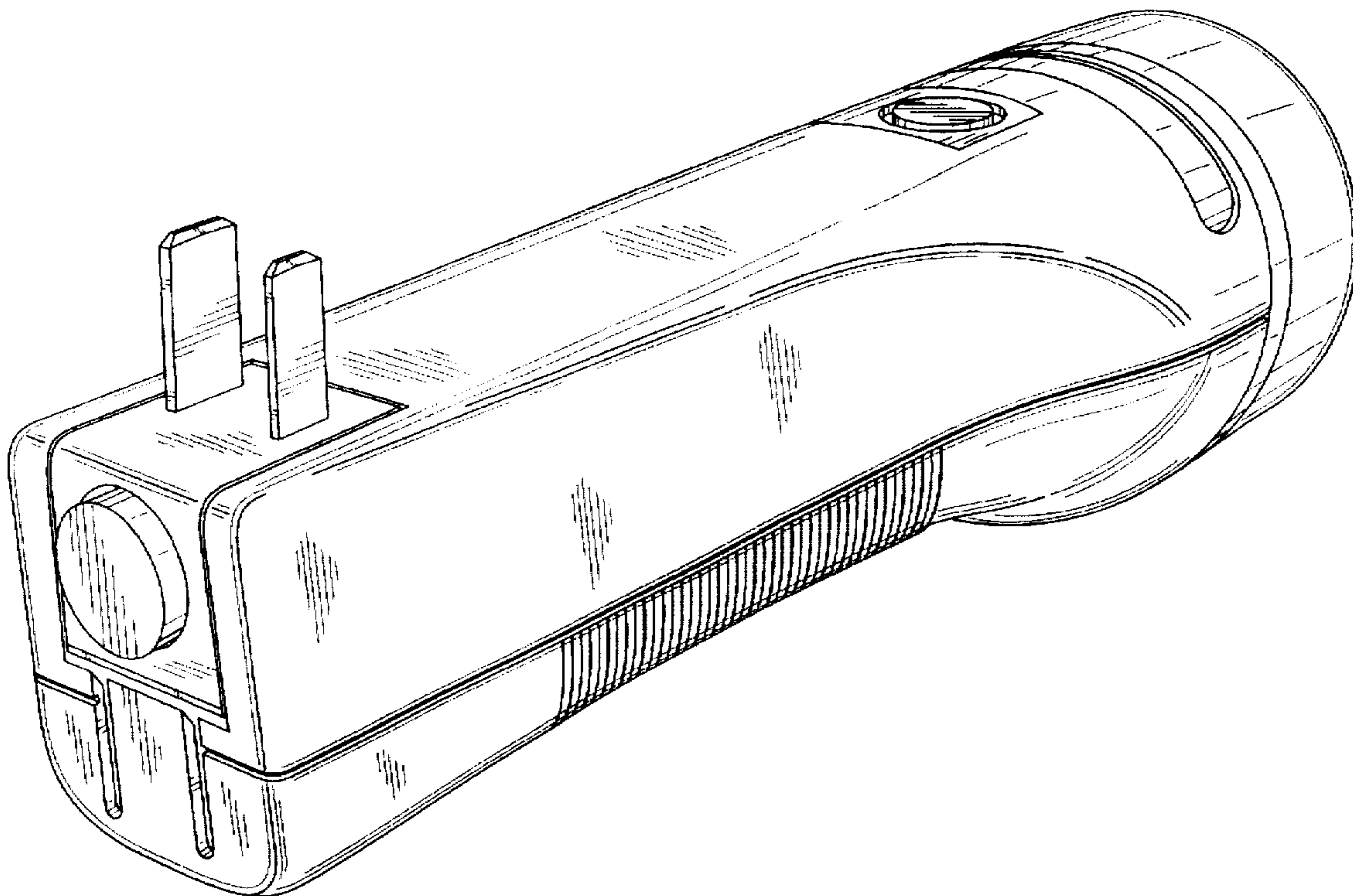
FIG. 1 is a side elevational view of a rechargeable flashlight showing my new design, the opposite side being a mirror image;  
FIG. 2 is a top plan view thereof;  
FIG. 3 is a bottom plan view thereof;  
FIG. 4 is a front elevational view thereof;  
FIG. 5 is a rear elevational view thereof; and,  
FIG. 6 is a rear perspective view thereof, with a plug extended in a position to allow recharging.

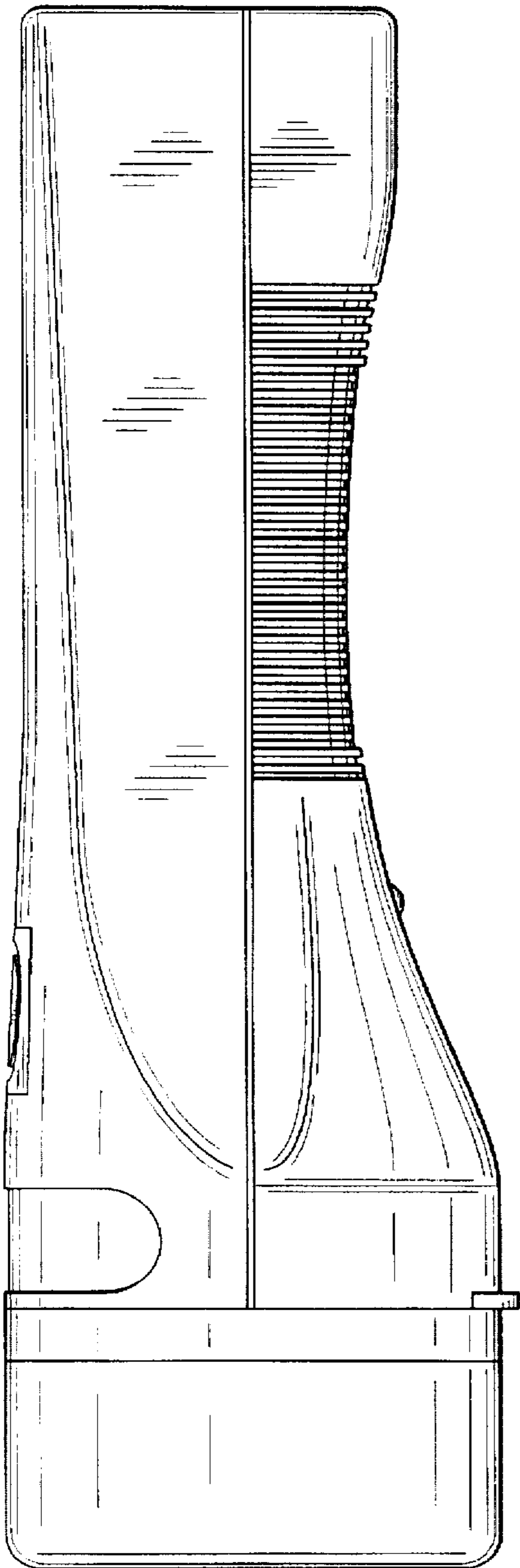
[56] **References Cited**

**U.S. PATENT DOCUMENTS**

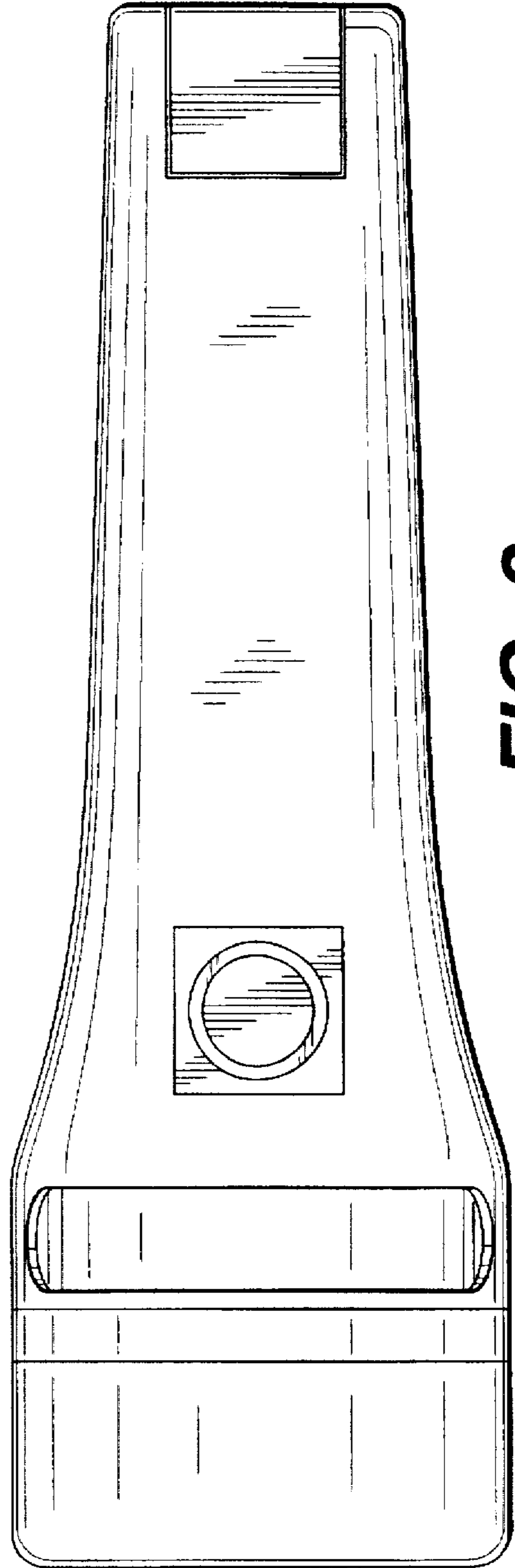
- D. 328,145 7/1992 Yuen ..... D26/46
- D. 333,358 2/1993 Burns ..... D26/46
- D. 363,138 10/1995 Poon ..... D26/46

**1 Claim, 3 Drawing Sheets**

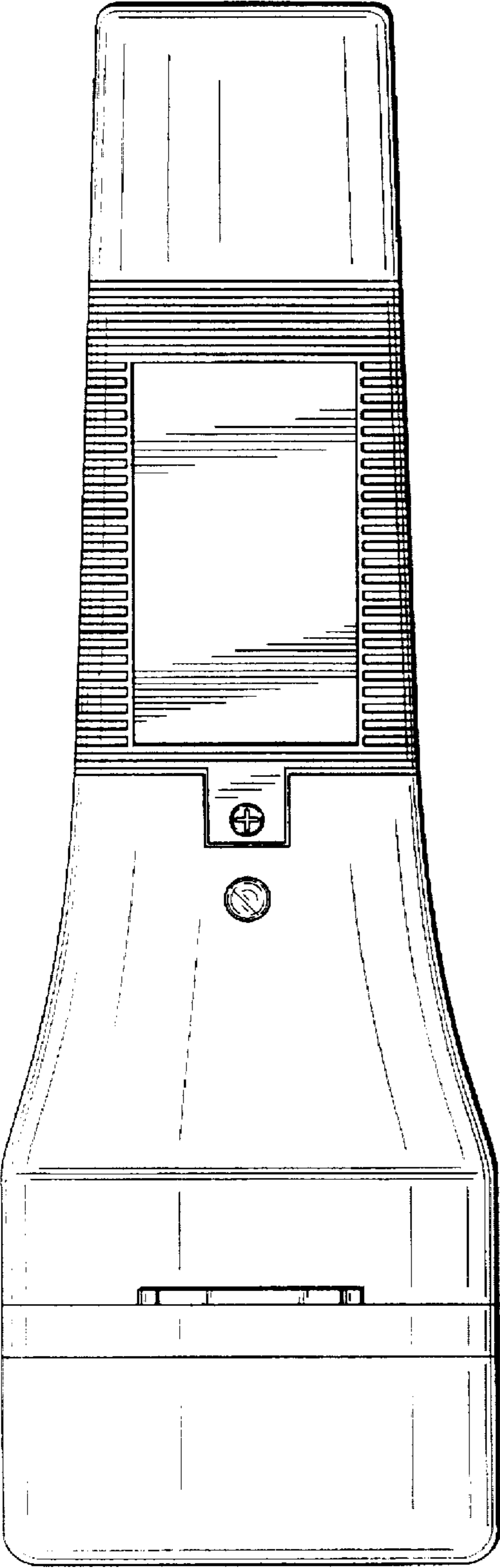




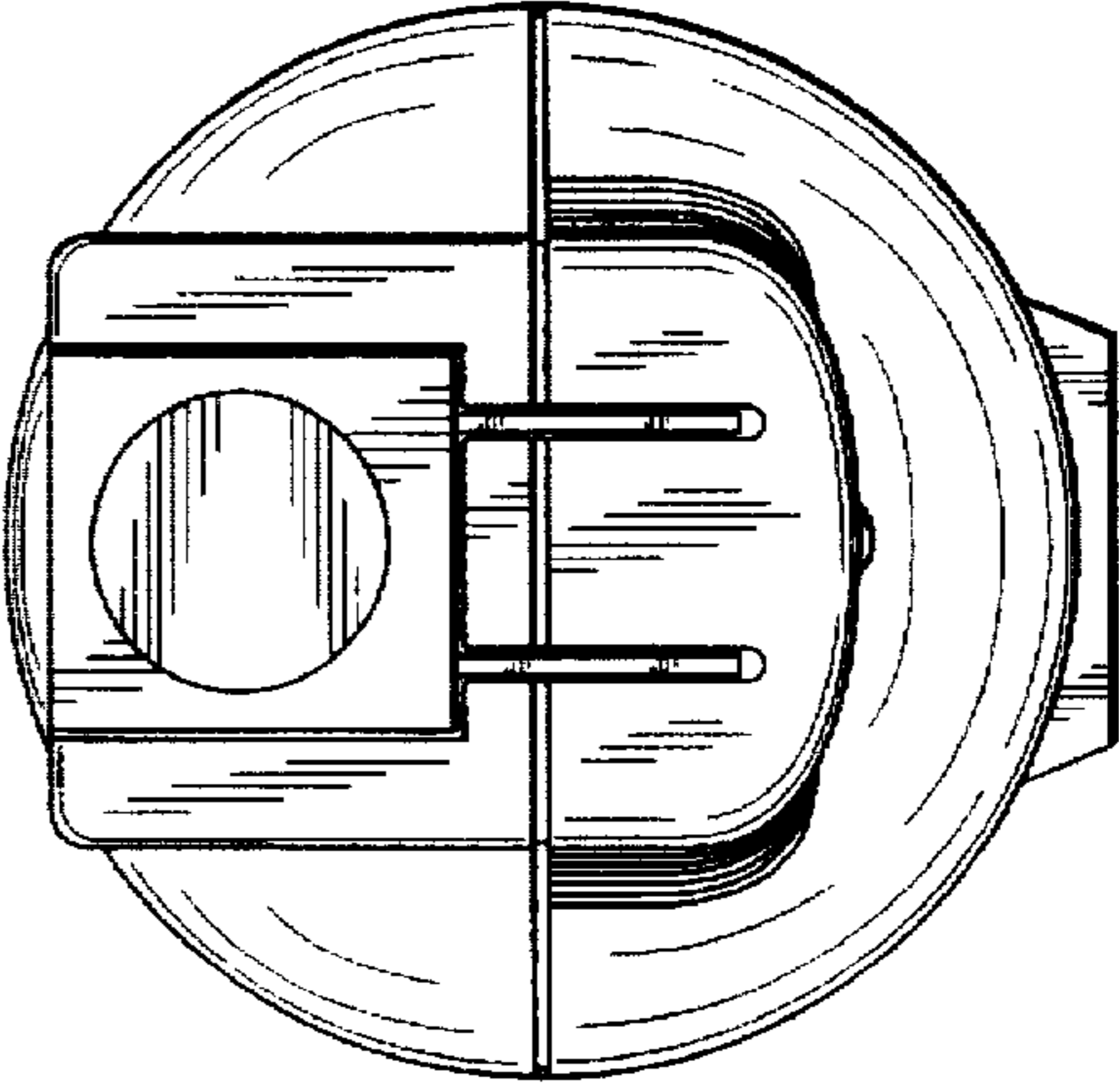
**FIG. 1**



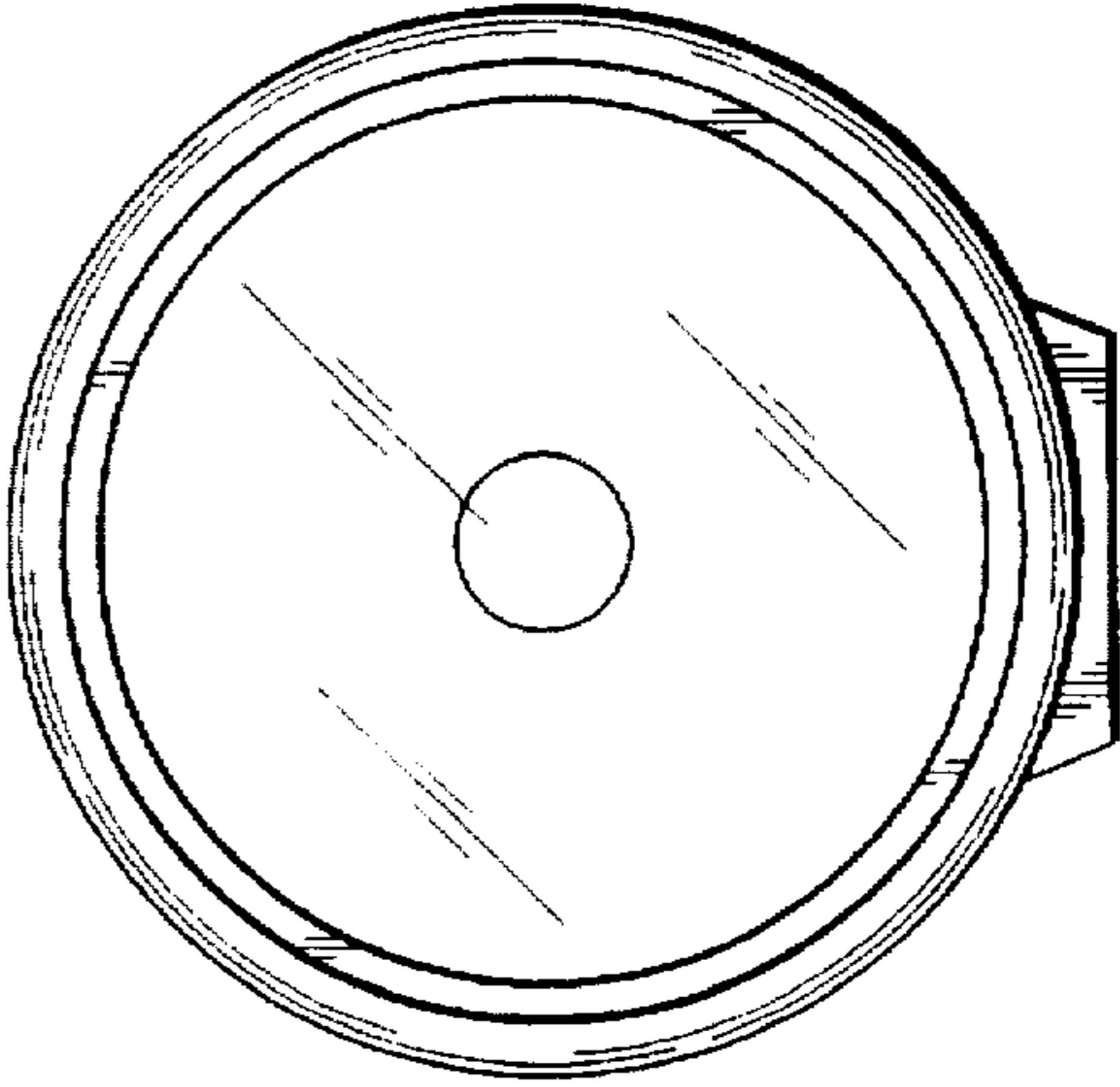
**FIG. 2**



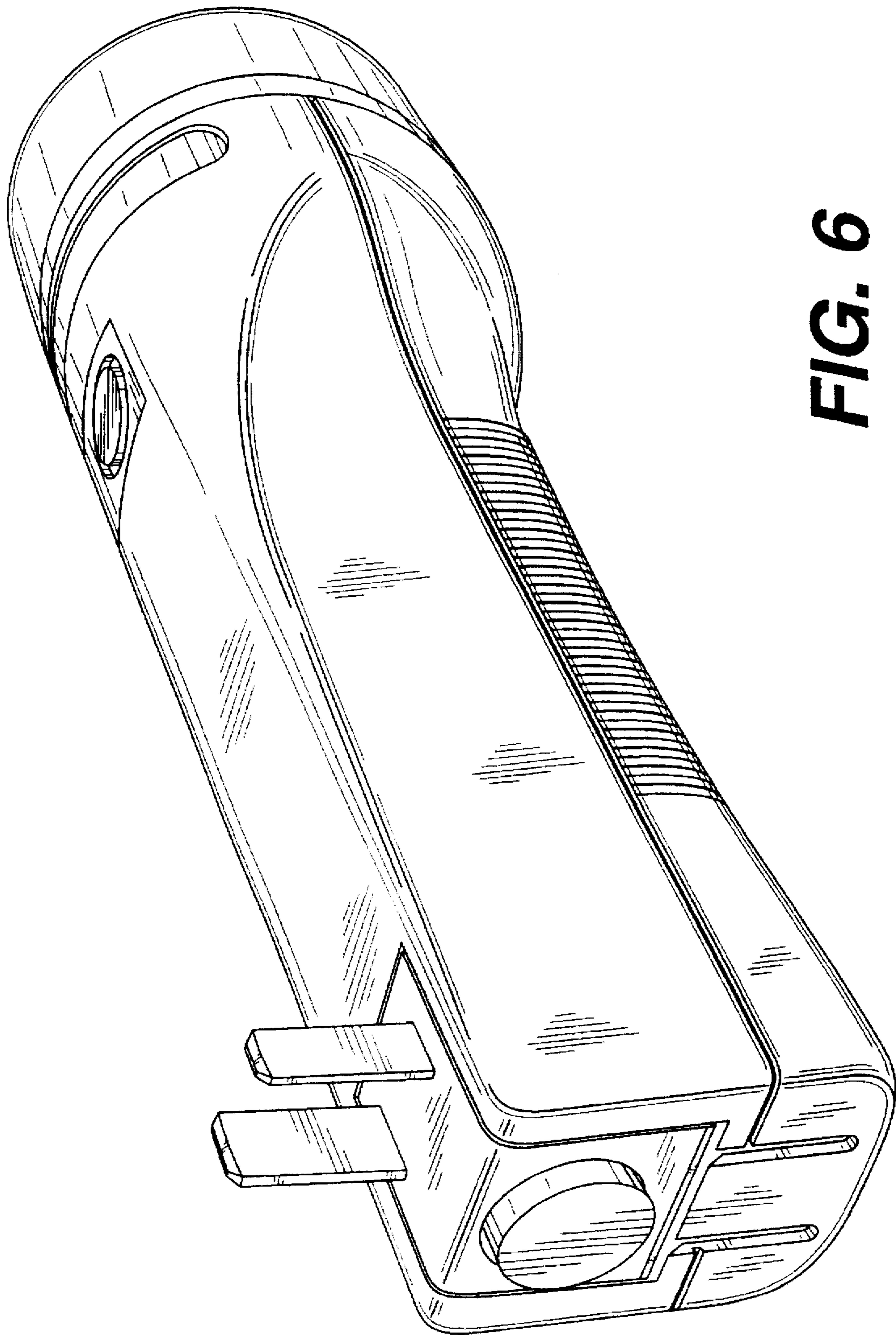
**FIG. 3**



**FIG. 5**



**FIG. 4**



**FIG. 6**