



US00D392755S

United States Patent [19]
Khachatrian et al.

[11] **Patent Number: Des. 392,755**
[45] **Date of Patent: **Mar. 24, 1998**

[54] **SELF RENEWING CANDLE**
[76] **Inventors: Mesrop Khachatrian, 405, 91st. #19, Daly City, Calif. 94015; Jasmine Khachatrian, 11952 Dorothy St. #4, Los Angeles, Calif. 90049**

D. 253,795 12/1979 Hilgeman D26/22
D. 343,912 2/1994 Huang D26/20
D. 352,793 11/1994 Lishman D26/14
D. 369,222 4/1996 Hardy D26/9
3,958,917 5/1976 Naz 431/289

[**] **Term: 14 Years**

Primary Examiner—Alan P. Douglas
Assistant Examiner—Robin V. Taylor

[21] **Appl. No.: 58,753**

[57] **CLAIM**

[22] **Filed: Aug. 22, 1996**

The ornamental design for a self renewing candle, as shown.

[51] **LOC (6) Cl. 26-01**

DESCRIPTION

[52] **U.S. Cl. D26/9; D23/20**

FIG. 1 is a perspective view;
FIG. 2 is a side perspective view; and,
FIG. 3 is a side view.

[58] **Field of Search D26/9-12, 20-23; 431/125, 288-292**

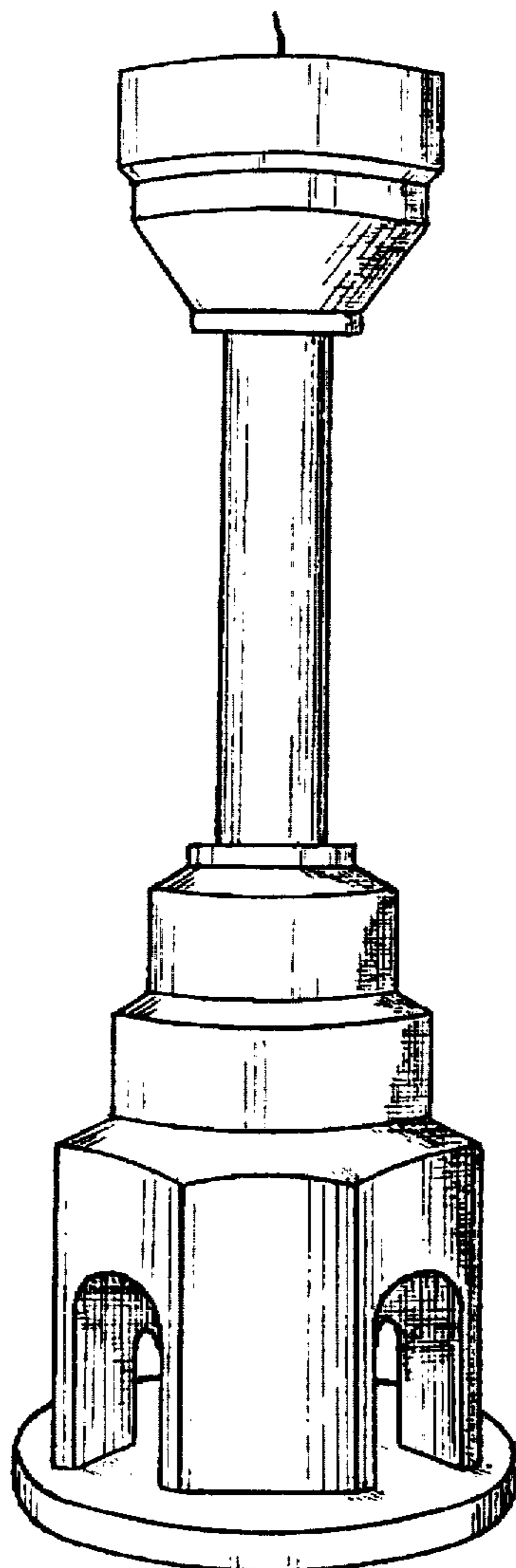
The base portion of the candle has an octagon shape with four windows and four sides (walls). The top of the candle is plain and unornamented.

[56] **References Cited**

U.S. PATENT DOCUMENTS

D. 40,778 7/1910 Nielsen et al. D26/20
D. 73,003 7/1927 Magnussen D26/20

1 Claim, 3 Drawing Sheets



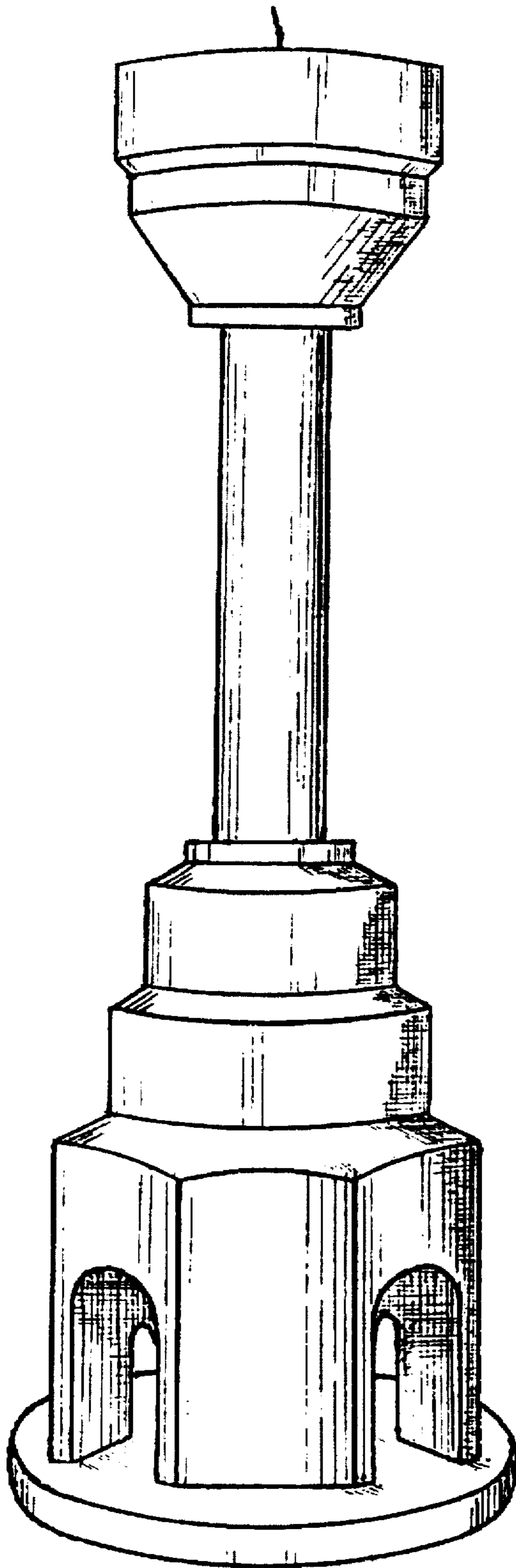


FIG. 1

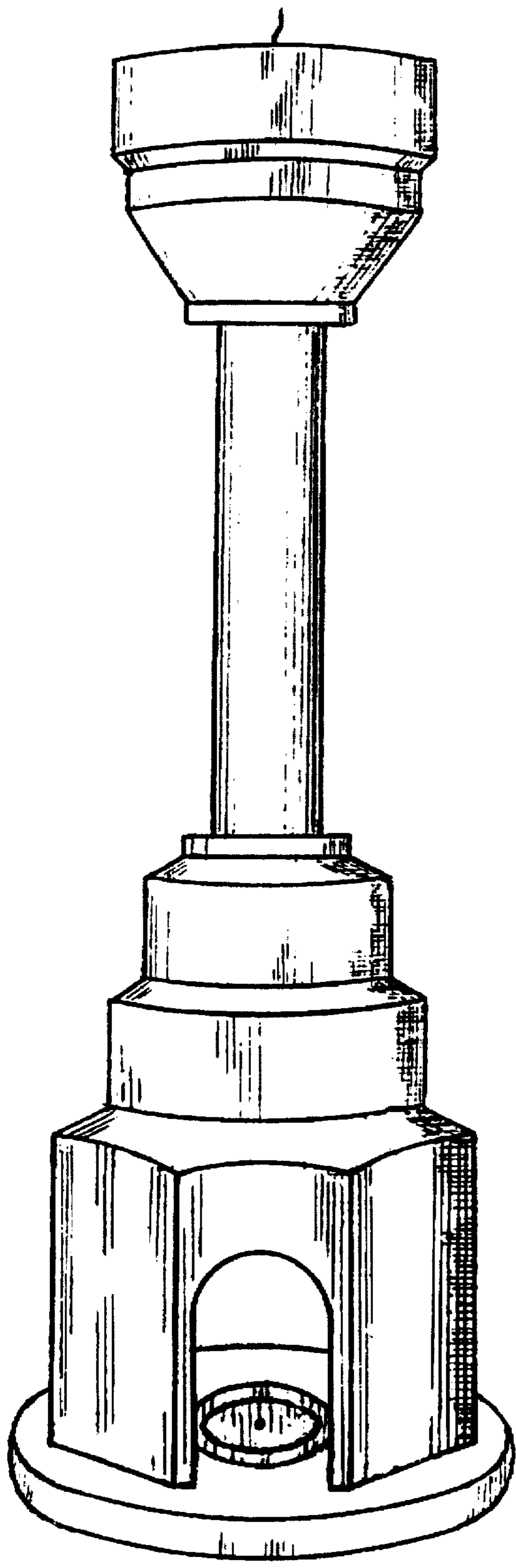


FIG.2

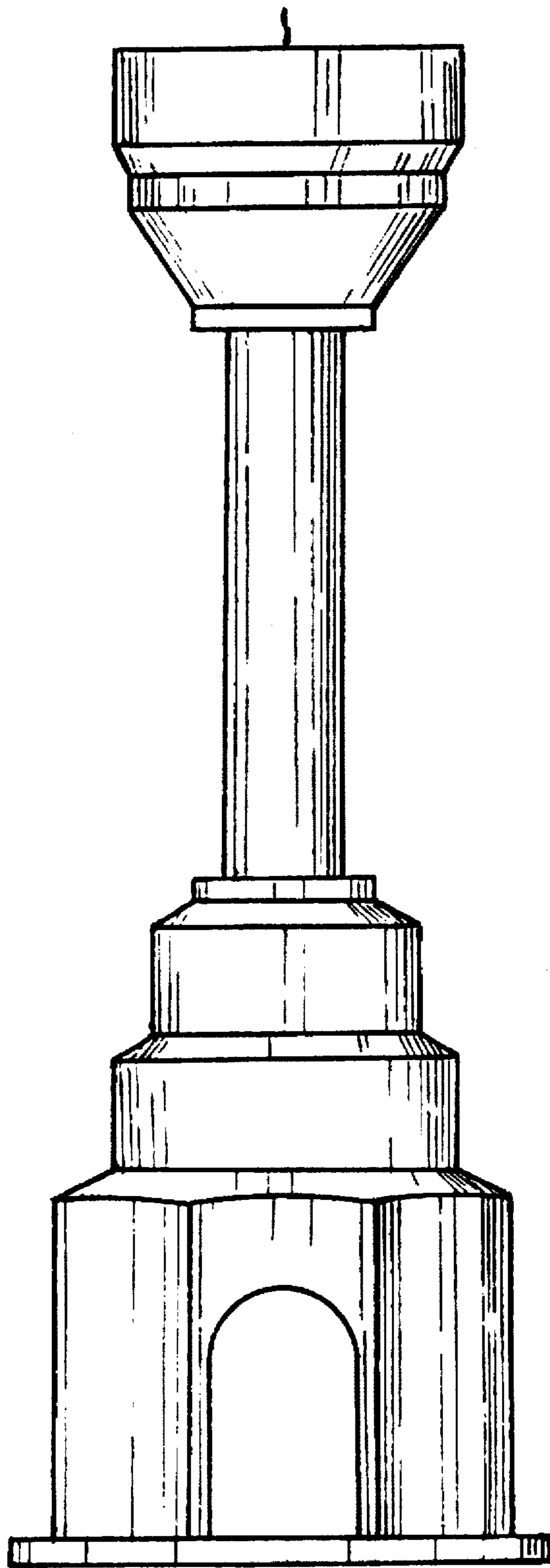


FIG. 3