



US00D392753S

United States Patent [19]
Kohlberger et al.

[11] **Patent Number: Des. 392,753**
[45] **Date of Patent: **Mar. 24, 1998**

[54] **SQUARE BASE FOR A PILLAR OR COLUMN**

367,508 8/1887 Dubois 52/721.3
4,972,642 11/1990 Strobl, Jr. 52/297

[76] **Inventors: Walter Kohlberger; Ward Kohlberger**, both of 866 Main Street East, Hamilton, Ontario, Canada, L8M 1L9

Primary Examiner—Doris Clark

[**] **Term: 14 Years**

[57] **CLAIM**

The ornamental design for a square base for a pillar or column, as shown and described.

[21] **Appl. No.: 71,026**

DESCRIPTION

[22] **Filed: May 15, 1997**

[30] **Foreign Application Priority Data**

FIG. 1 is a top perspective view of a square base for a pillar or column;

Nov. 18, 1996 [CA] Canada 1996-2631

FIG. 2 is a bottom perspective view thereof;

[51] **LOC (6) Cl. 25-01**

FIG. 3 is a sectional view taken along line 3—3 of FIG. 1;

[52] **U.S. Cl. D25/133**

FIG. 4 is a top perspective view of a second embodiment of a square base for a pillar or column;

[58] **Field of Search D25/133, 134, D25/127; 52/297, 721.5, 721.3, 733.5**

FIG. 5 is a bottom perspective view thereof; and,

[56] **References Cited**

FIG. 6 is a sectional view taken along line 6—6 of FIG. 4.

U.S. PATENT DOCUMENTS

D. 273,712 5/1984 Ahlgvist D25/133

1 Claim, 2 Drawing Sheets

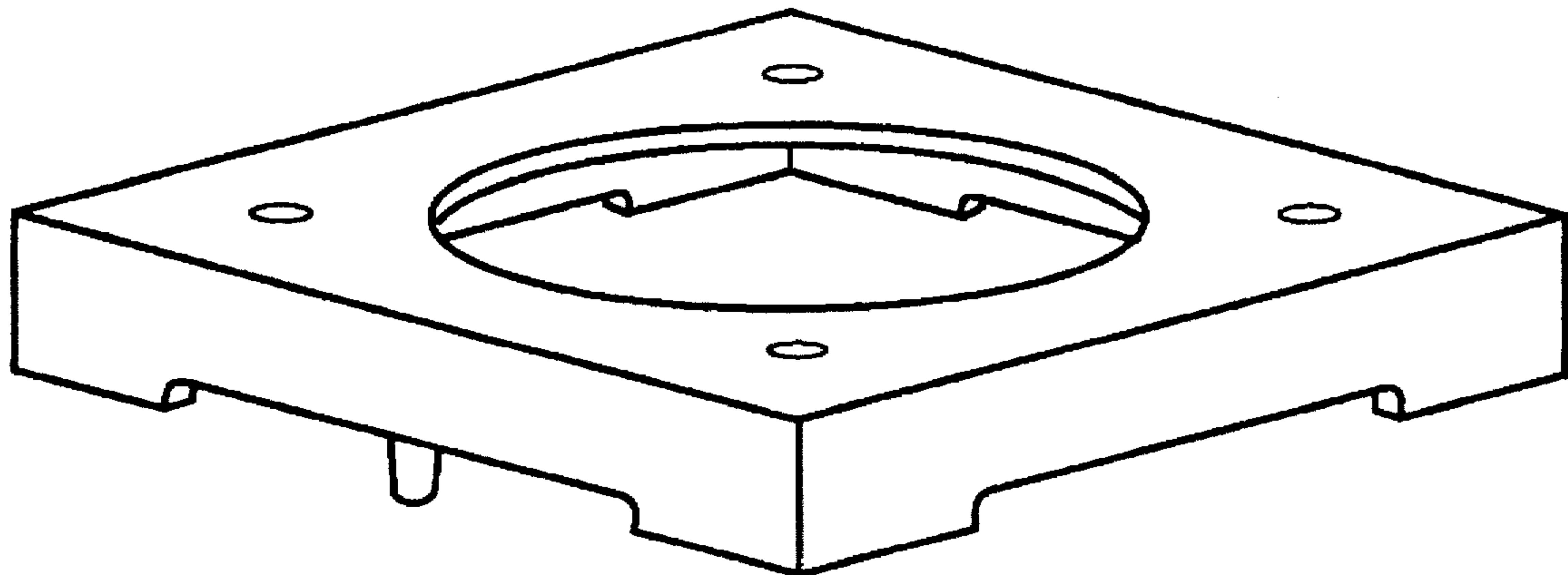


FIGURE 1

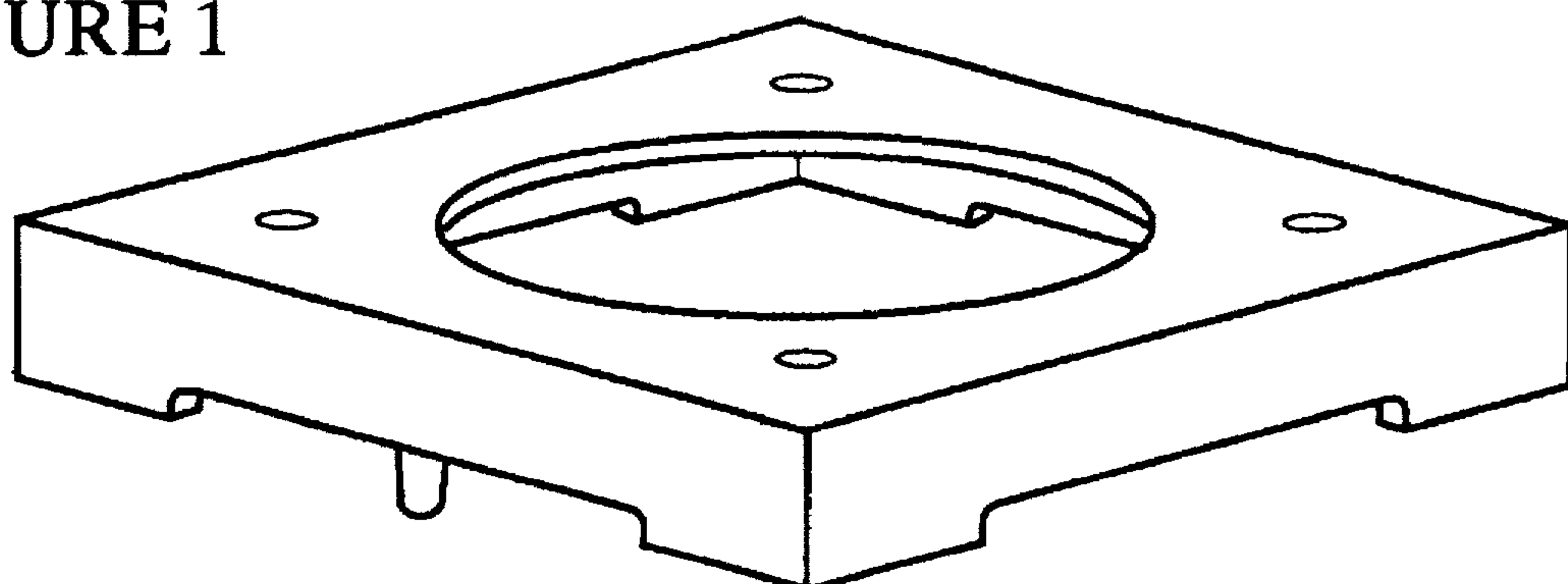


FIGURE 2

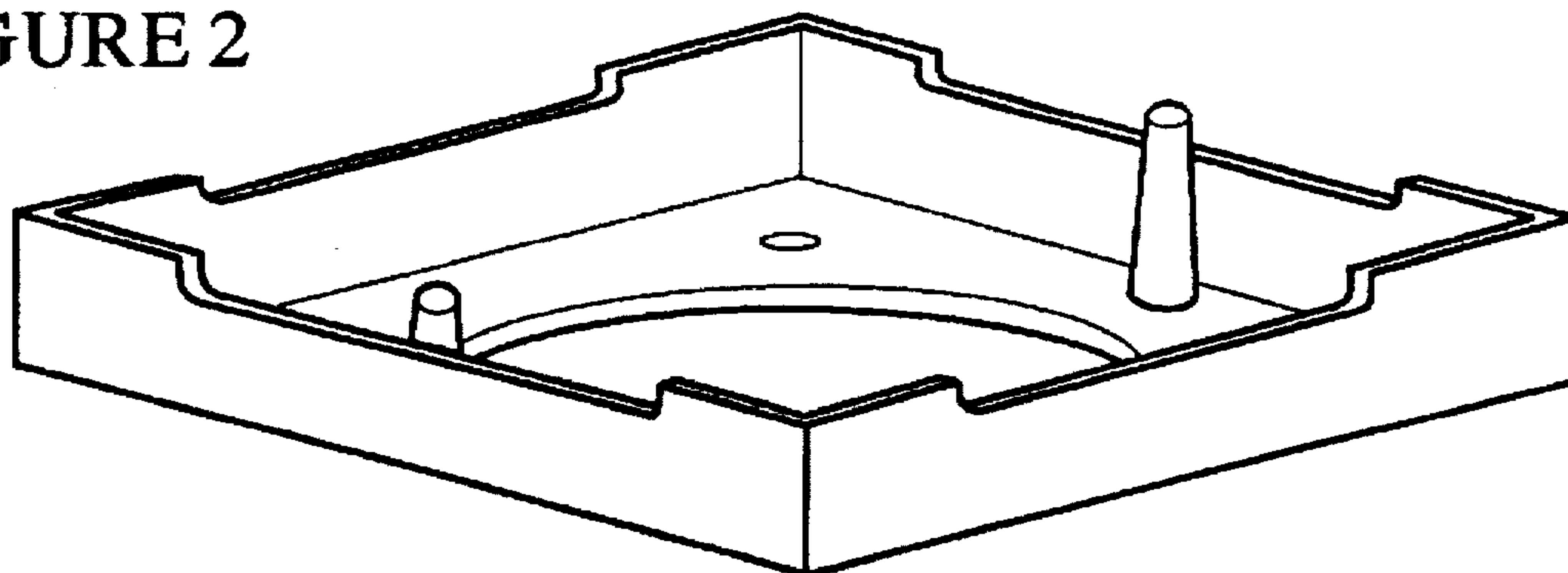


FIGURE 3

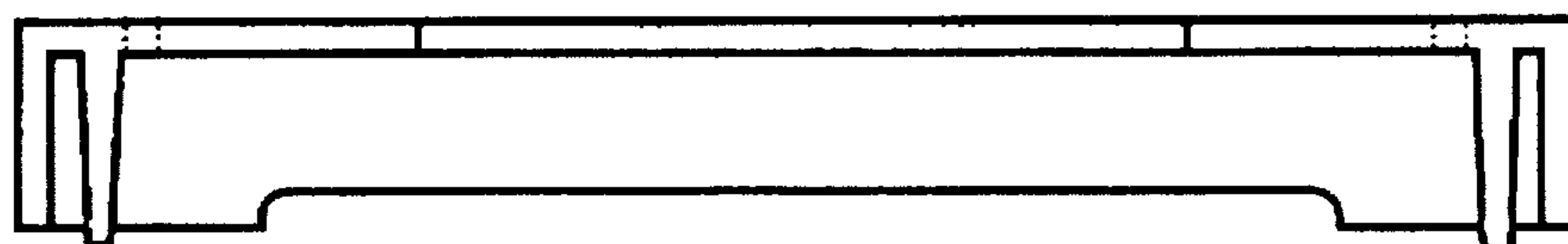


FIGURE 4

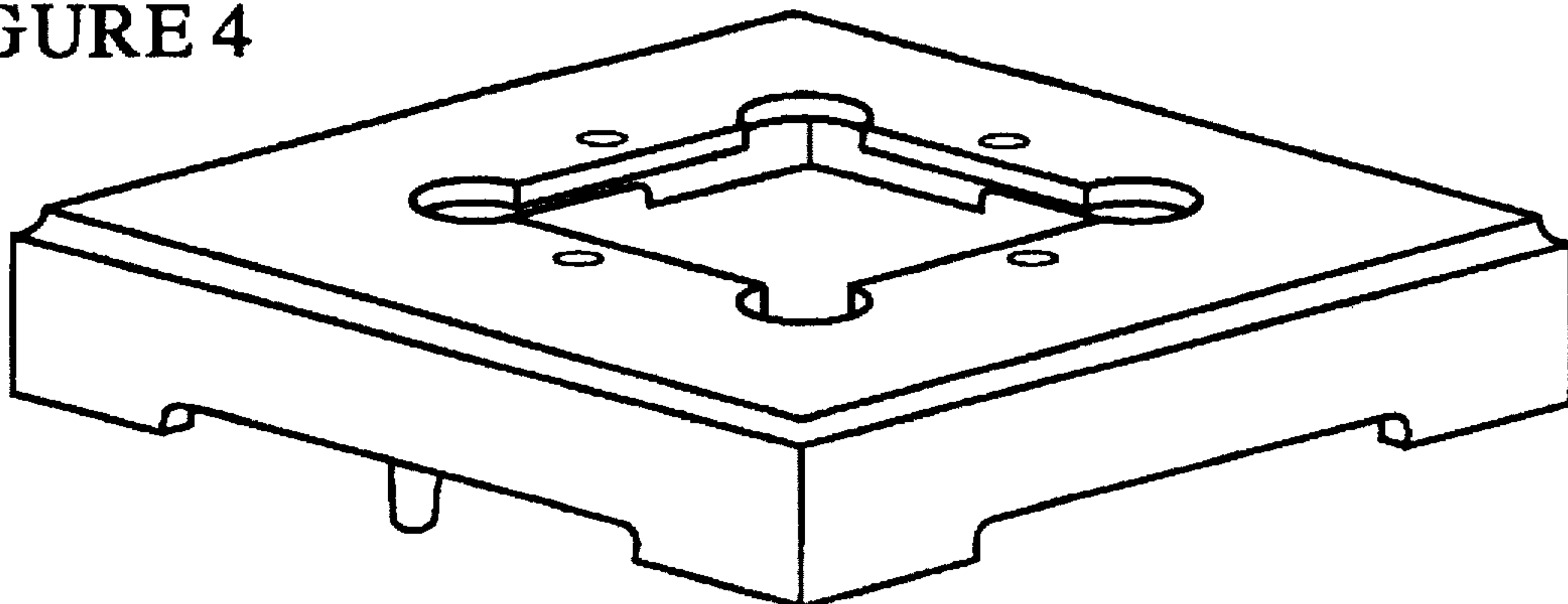


FIGURE 5

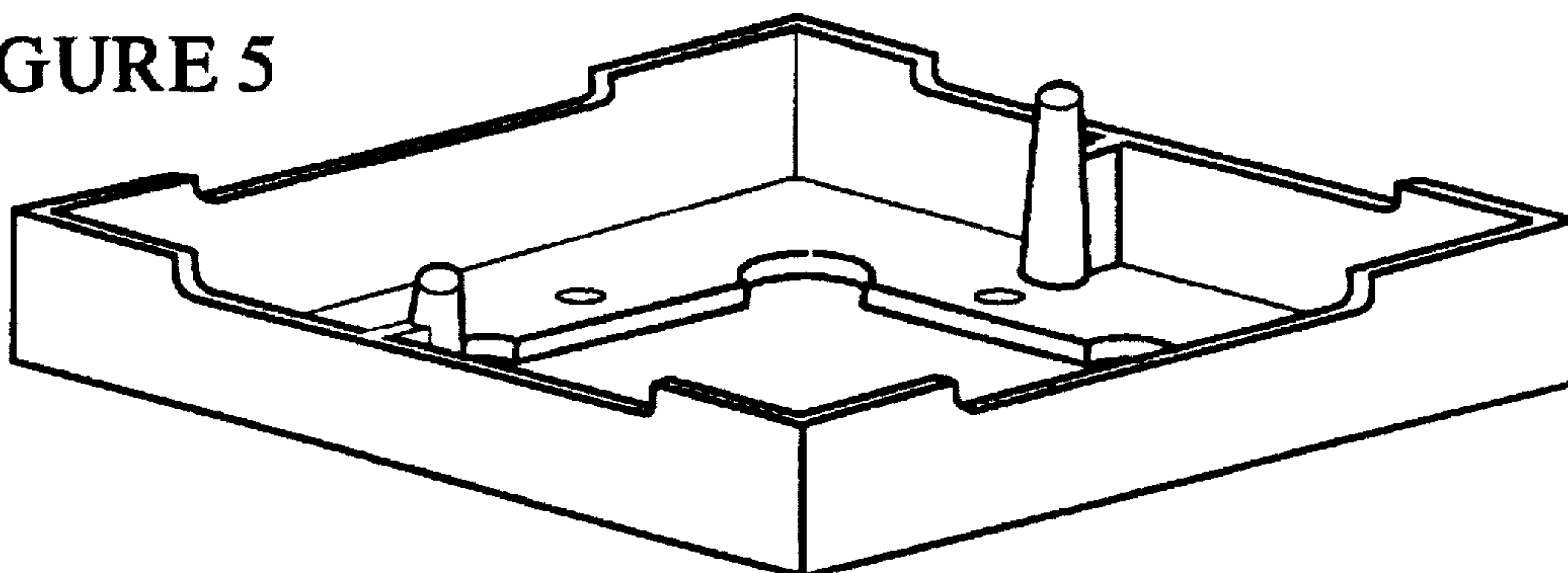


FIGURE 6

