



US00D392751S

**United States Patent** [19]  
**Oliver**

[11] **Patent Number: Des. 392,751**  
[45] **Date of Patent: \*\*Mar. 24, 1998**

[54] **WINDOW COMPONENT EXTRUSION**

D. 343,009 1/1994 Cole ..... D25/124

[75] **Inventor: Teresa A. Oliver, Kent, Wash.**

*Primary Examiner*—Doris Clark  
*Attorney, Agent, or Firm*—Richardson & Folise

[73] **Assignee: Mikron Industries, Inc., Kent, Wash.**

[\*\*] **Term: 14 Years**

[57] **CLAIM**

[21] **Appl. No.: 41,151**

The ornamental design for a window component extrusion, as shown and described.

[22] **Filed: Jun. 29, 1995**

[51] **LOC (6) Cl. .... 25-01**

[52] **U.S. Cl. .... D25/124**

[58] **Field of Search .... D25/121-125,  
D25/60, 52; 49/DIG. 2, 504, 505; 52/204.5,  
204.56, 204.57, 730.3, 204.1**

**DESCRIPTION**

FIG. 1 is a top right perspective view of the window component extrusion being of indefinite length; and,

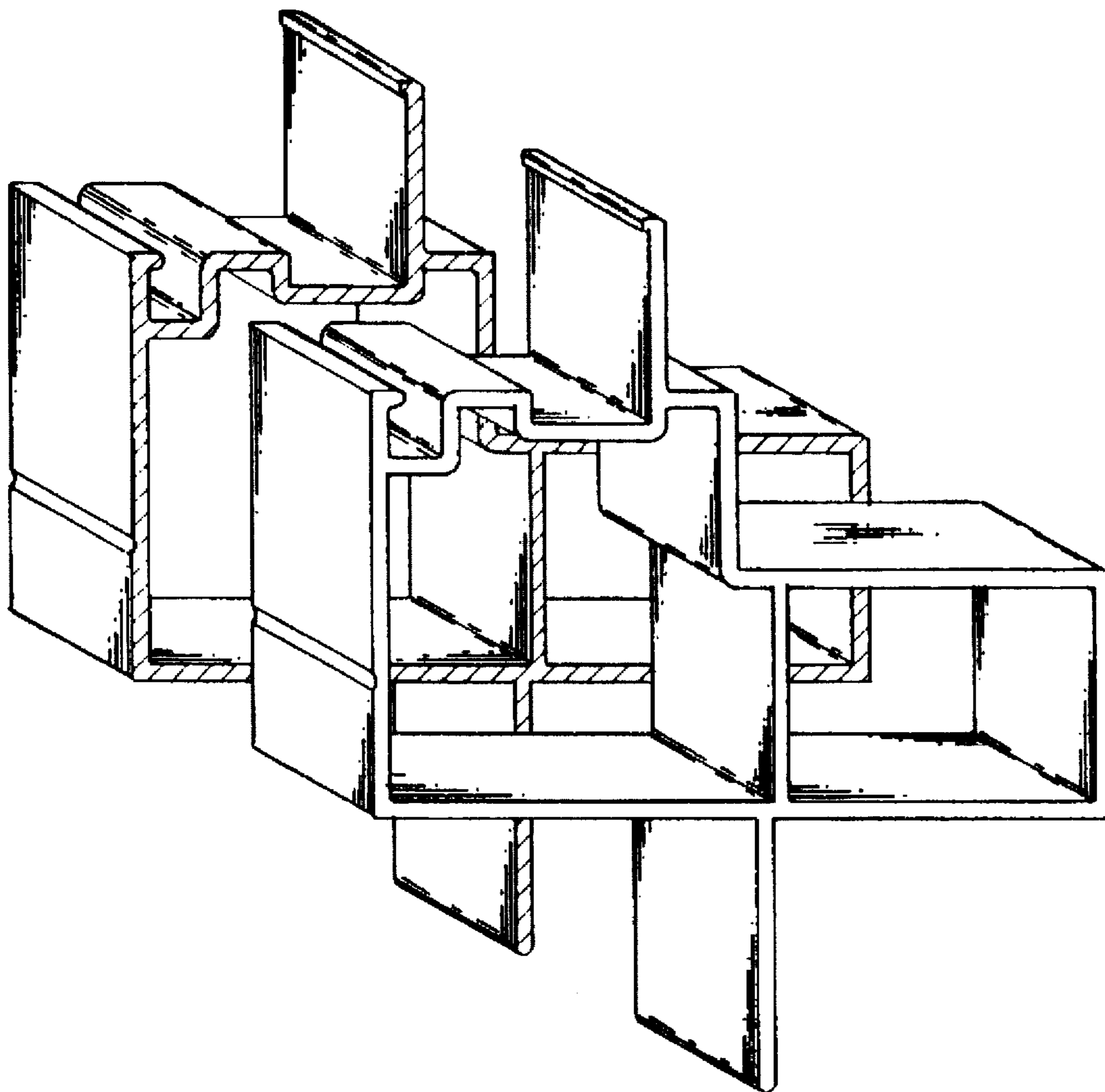
FIG. 2 is a bottom left perspective view of the window component extrusion shown in FIG. 1.

[56] **References Cited**

**U.S. PATENT DOCUMENTS**

D. 338,974 8/1993 Cole ..... D25/124

**1 Claim, 1 Drawing Sheet**



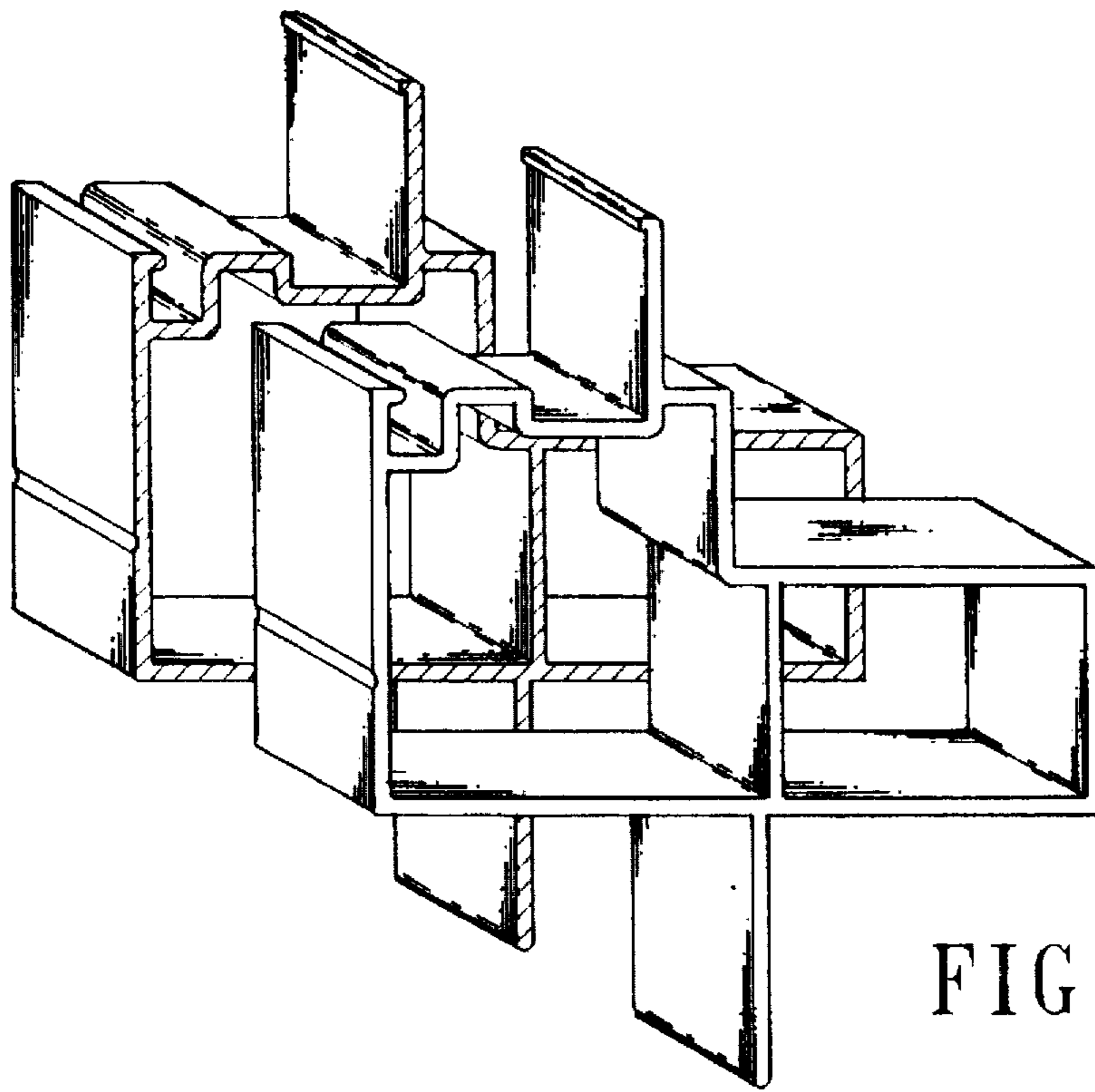


FIG. 1

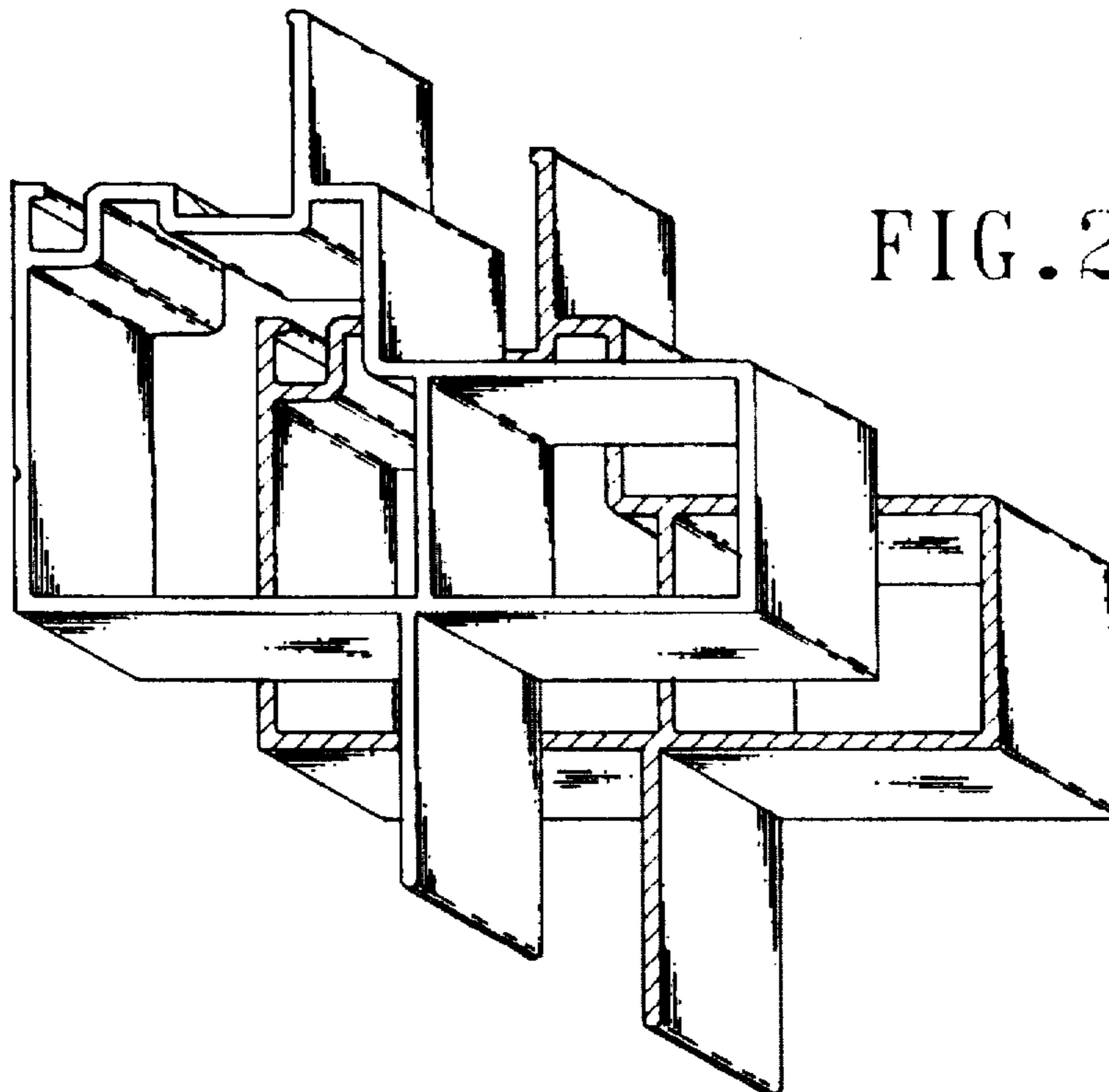


FIG. 2