

US00D392747S

United States Patent [19]
Ferland

[11] **Patent Number: Des. 392,747**
[45] **Date of Patent: **Mar. 24, 1998**

[54] **STEPLADDER ATTACHMENT**

[76] **Inventor: Edward O. Ferland, 225 Greenslitt Ave., Pawtucket, R.I. 02861**

[**] **Term: 14 Years**

[21] **Appl. No.: 71,537**

[22] **Filed: May 30, 1997**

[51] **LOC (6) CL 25-04**

[52] **U.S. Cl. D25/68**

[58] **Field of Search D25/68; 248/211**

[56] **References Cited**

U.S. PATENT DOCUMENTS

2,734,205	2/1956	Preiss	D25/68
5,062,607	11/1991	Kisner	248/211
5,154,383	10/1992	Collinson	248/211

Primary Examiner—Doris Clark
Attorney, Agent, or Firm—Salter & Michaelson

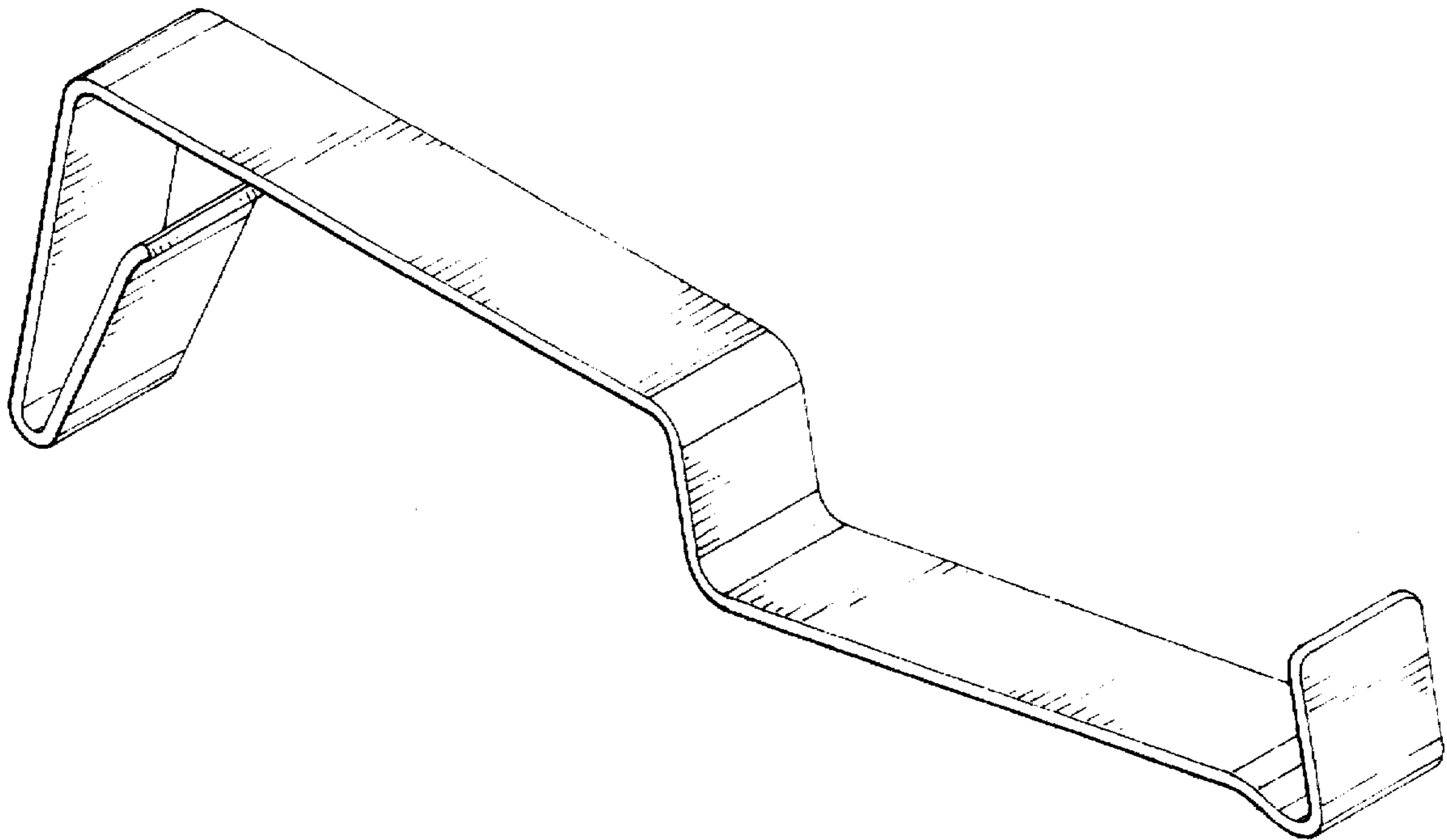
[57] **CLAIM**

The ornamental design for a stepladder attachment, as shown and described.

DESCRIPTION

FIG. 1 is a perspective view of a stepladder attachment showing my new design;
FIG. 2 is a side elevational view thereof showing the attachment in operative position on a stepladder;
FIG. 3 is a side elevational view of the opposite side thereof;
FIG. 4 is a top plan view thereof;
FIG. 5 is a bottom plan view thereof;
FIG. 6 is an end view thereof looking from the left with respect to FIG. 2; and,
FIG. 7 is an end view thereof looking from the right with respect to FIG. 2.
The portions shown in broken lines in FIG. 2 are for illustrative purposes only and form no part of the instant design.

1 Claim, 3 Drawing Sheets



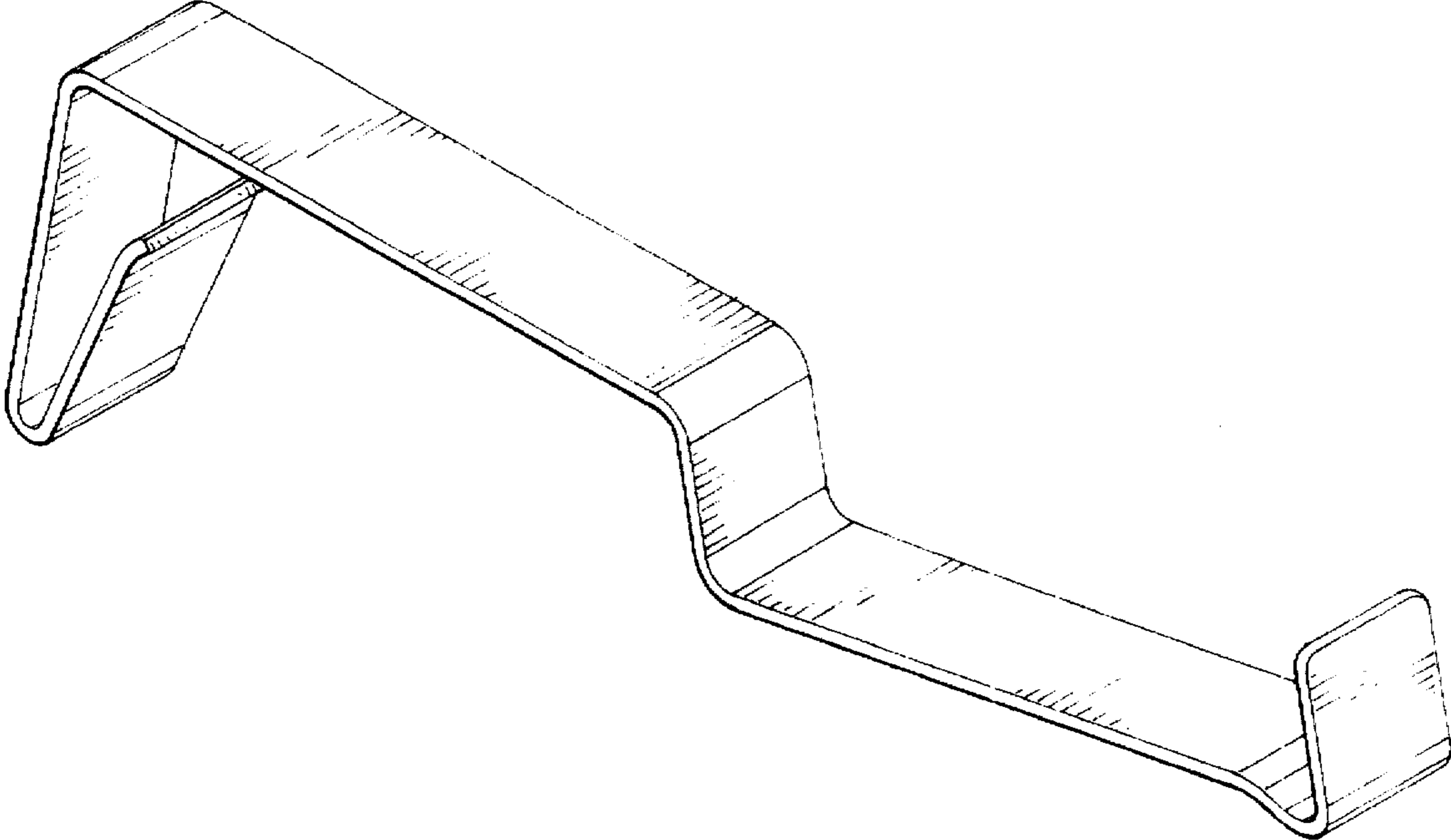


FIG. 1

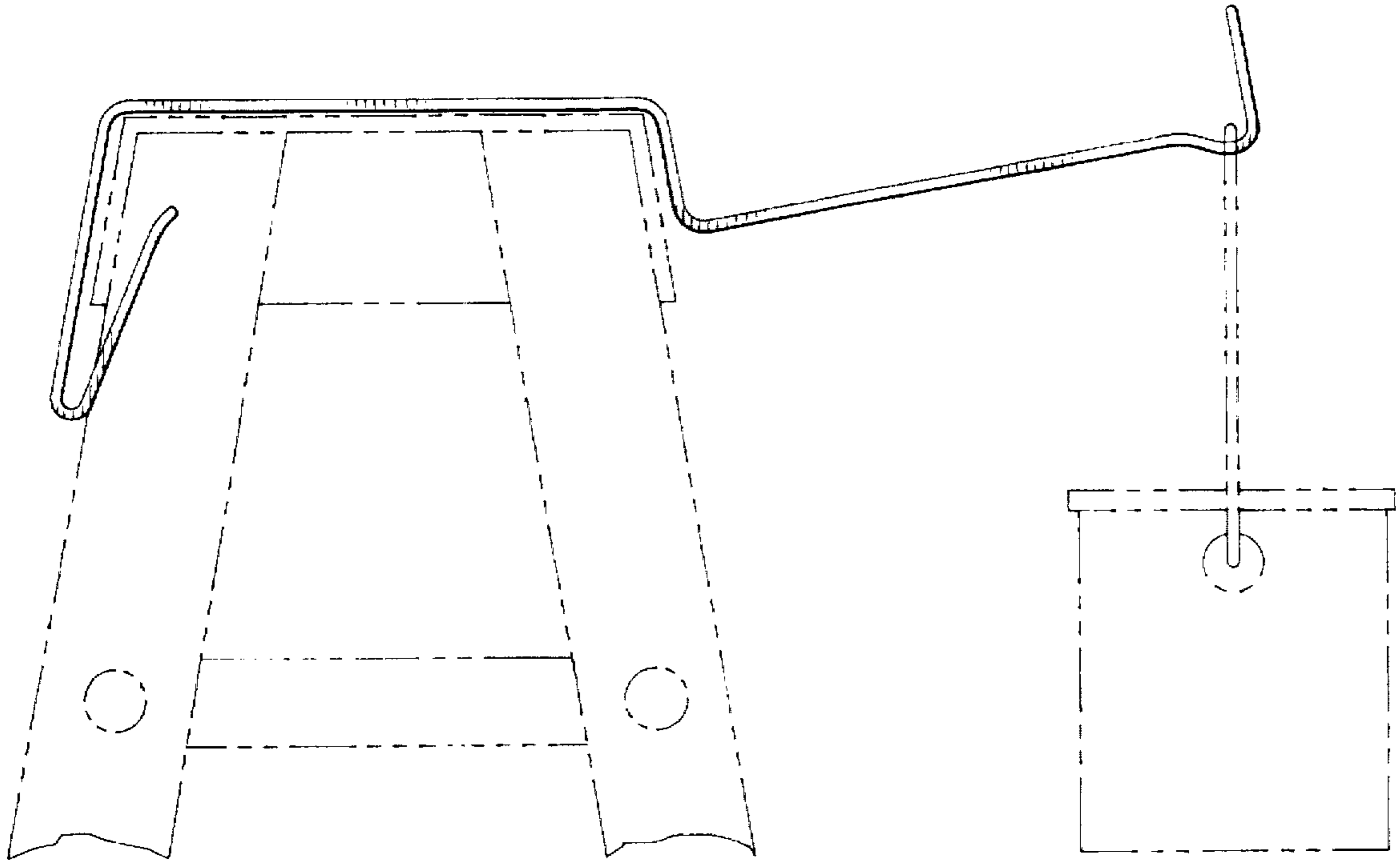


FIG. 2

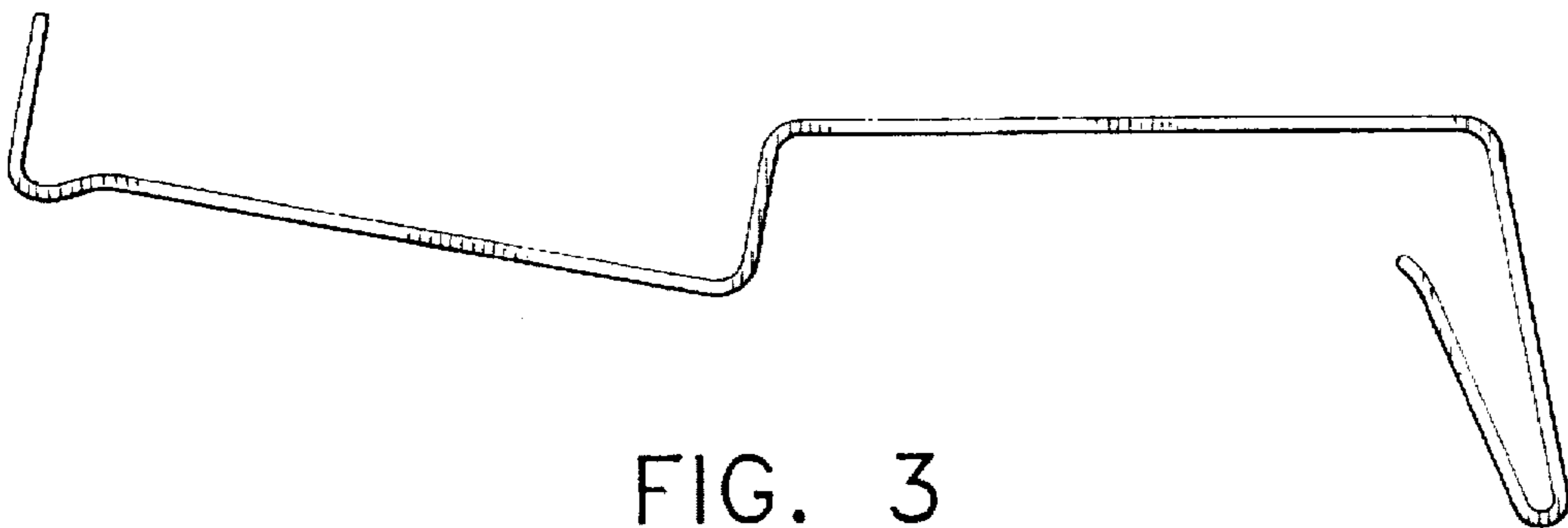


FIG. 3

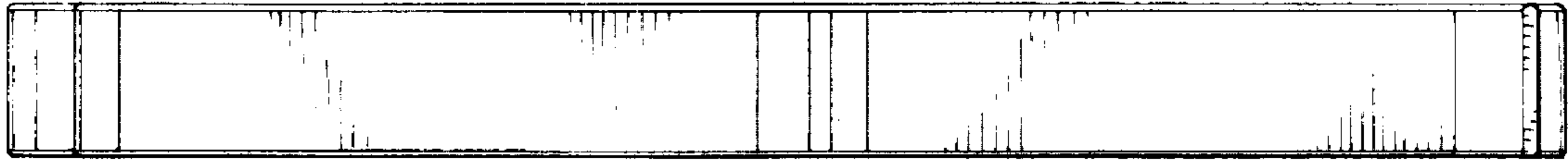


FIG. 4



FIG. 5

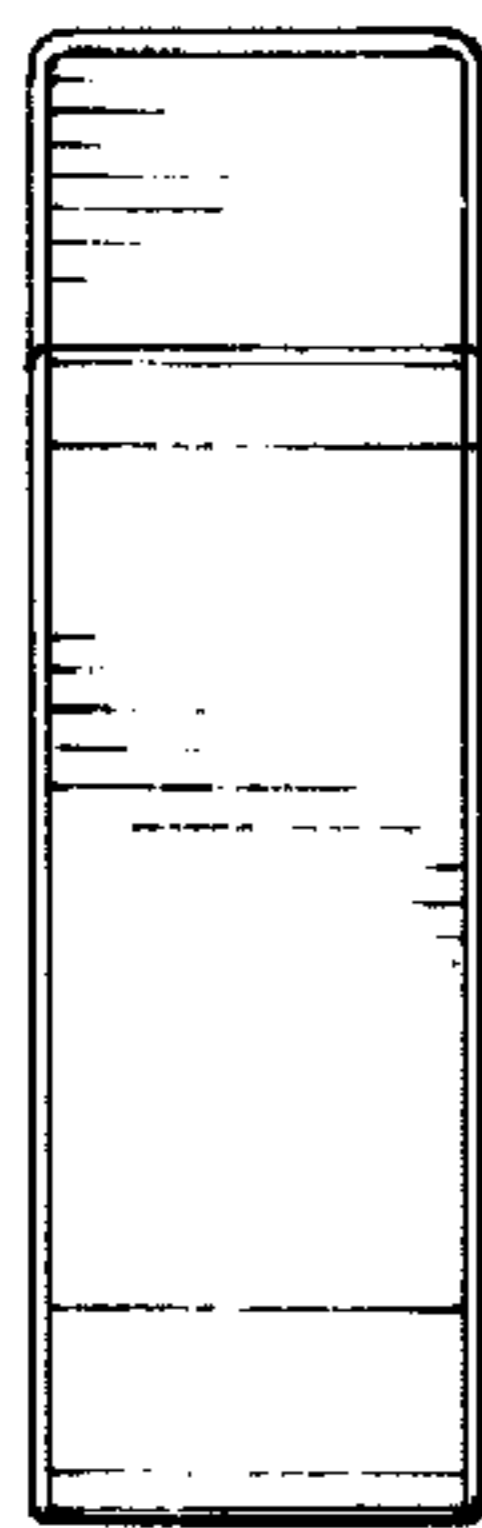


FIG. 6

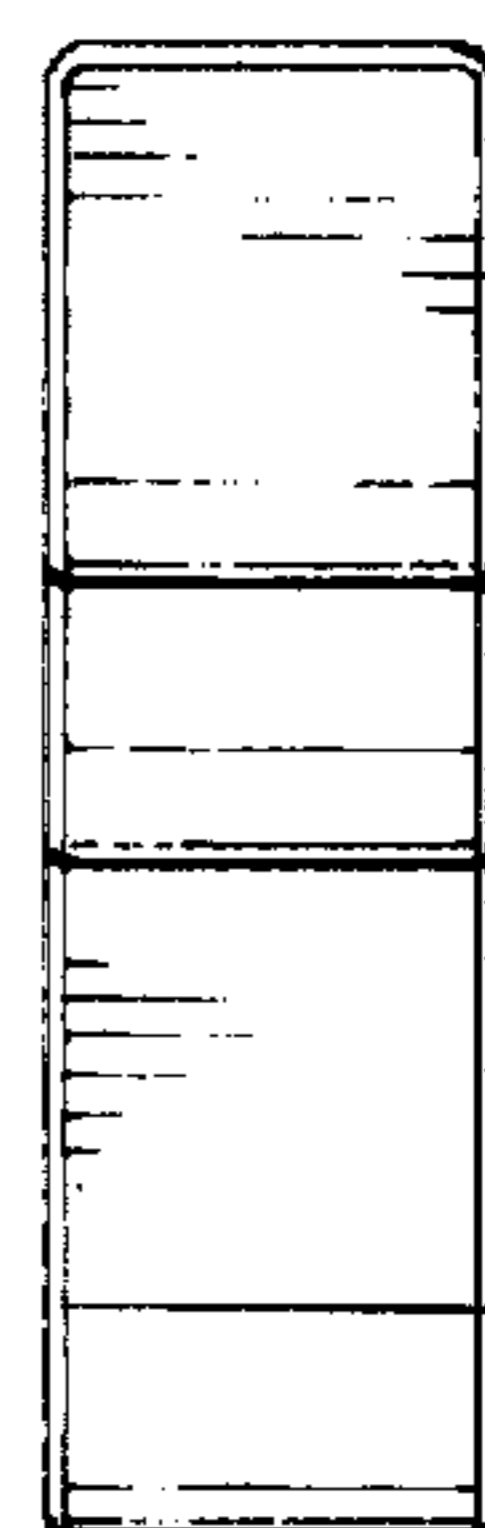


FIG. 7