



US00D392744S

United States Patent [19]
Staal

[11] **Patent Number: Des. 392,744**
[45] **Date of Patent: **Mar. 24, 1998**

[54] **PORTABLE UTILITY LADDER**
[76] Inventor: **Brian Staal**, P.O. Box 95, Combermere,
Ontario, Canada, K0J 1L0

4,182,431 1/1980 Wing 182/20
4,613,013 9/1986 Watling 182/20
5,086,872 2/1992 Lin 182/20

[**] Term: **14 Years**

Primary Examiner—Doris Clark
Attorney, Agent, or Firm—Swabey Ogilvy Renault

[21] Appl. No.: **58,673**

[57] **CLAIM**

[22] Filed: **Aug. 20, 1996**

The ornamental design for a portable utility ladder, as shown and described.

[30] **Foreign Application Priority Data**

Jul. 2, 1996 [CA] Canada 1489

DESCRIPTION

[51] **LOC (6) Cl.** **25-04**

FIG. 1 is a front right perspective view of a portable utility ladder showing the new design;

[52] **U.S. Cl.** **D25/64**

FIG. 2 is a rear elevation view thereof;

[58] **Field of Search** D25/64; 182/20,
182/21, 23

FIG. 3 is a side elevation view thereof; and,

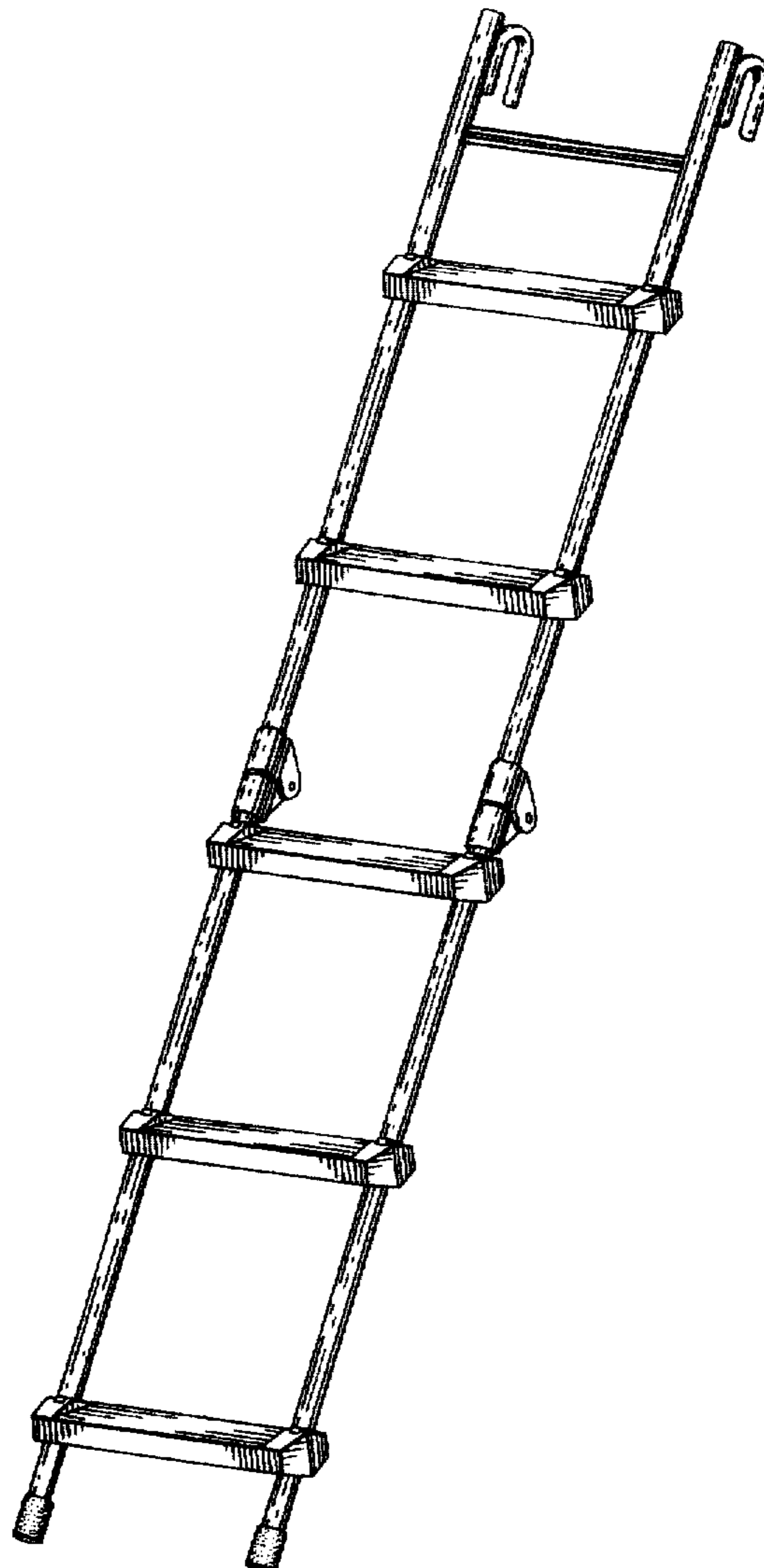
FIG. 4 is a front left perspective view of the ladder in a partially collapsed position.

[56] **References Cited**

U.S. PATENT DOCUMENTS

D. 179,892 3/1957 Gastright D25/64

1 Claim, 4 Drawing Sheets



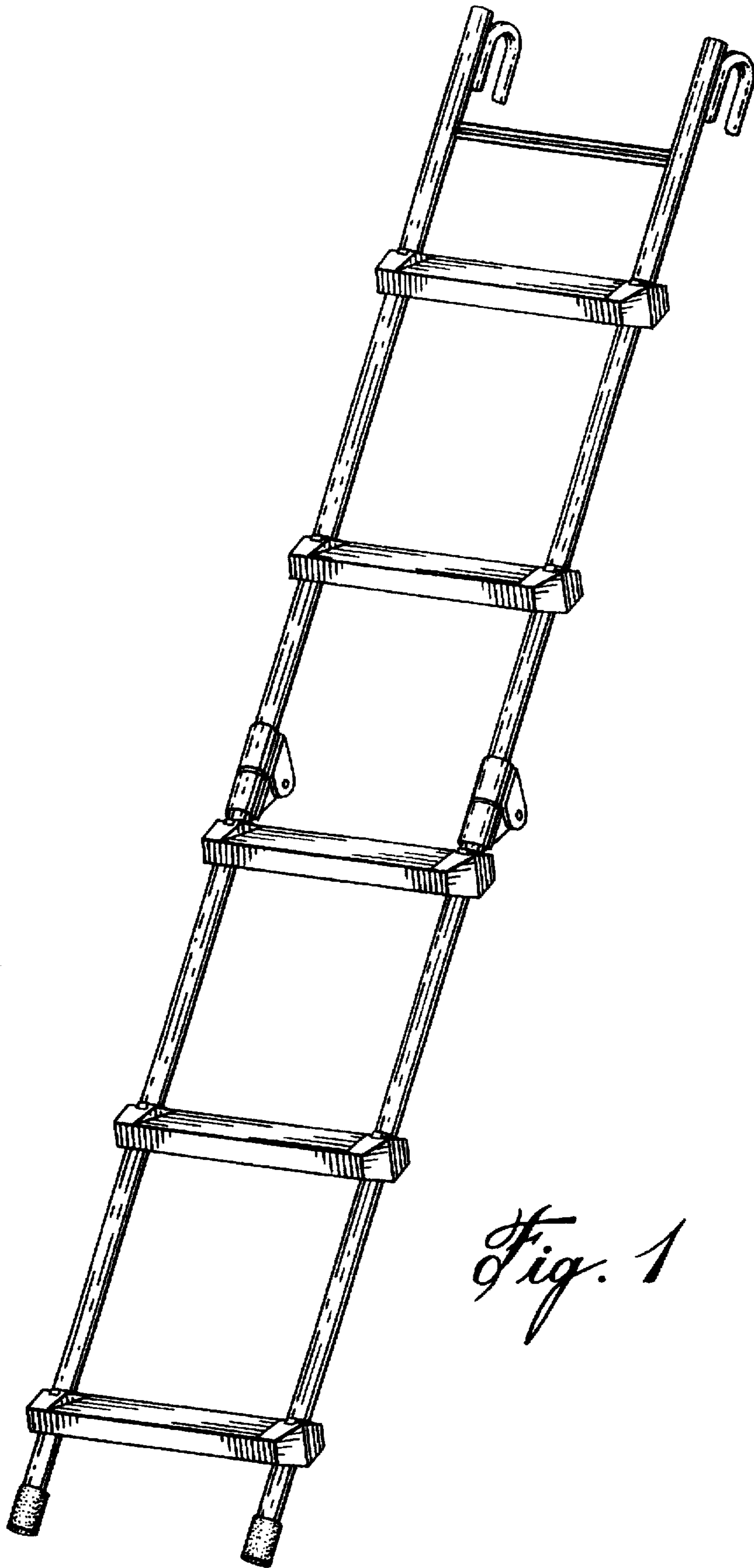


Fig. 1

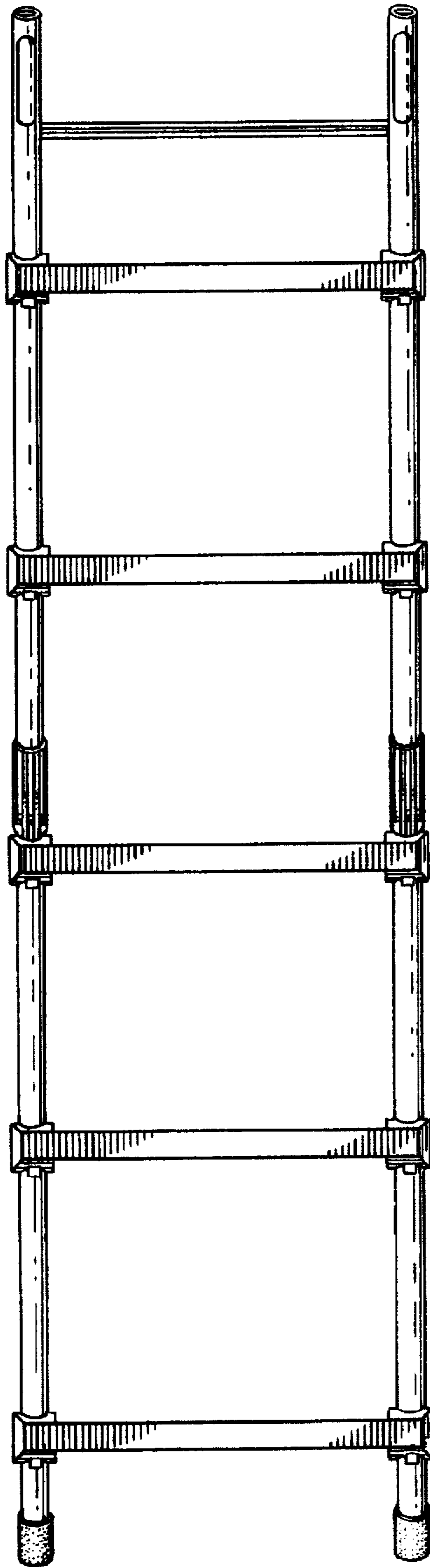


Fig. 2

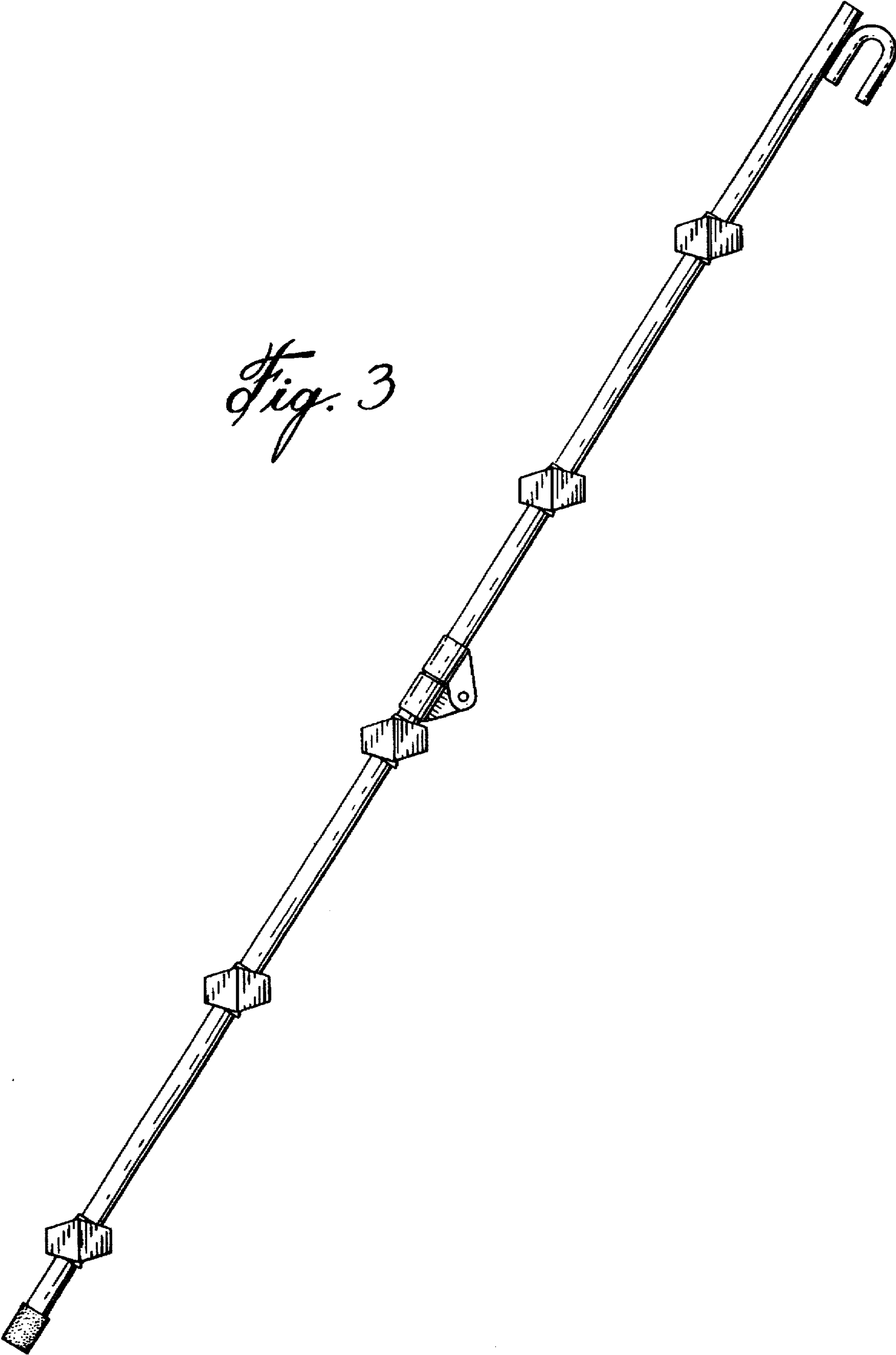


Fig. 3

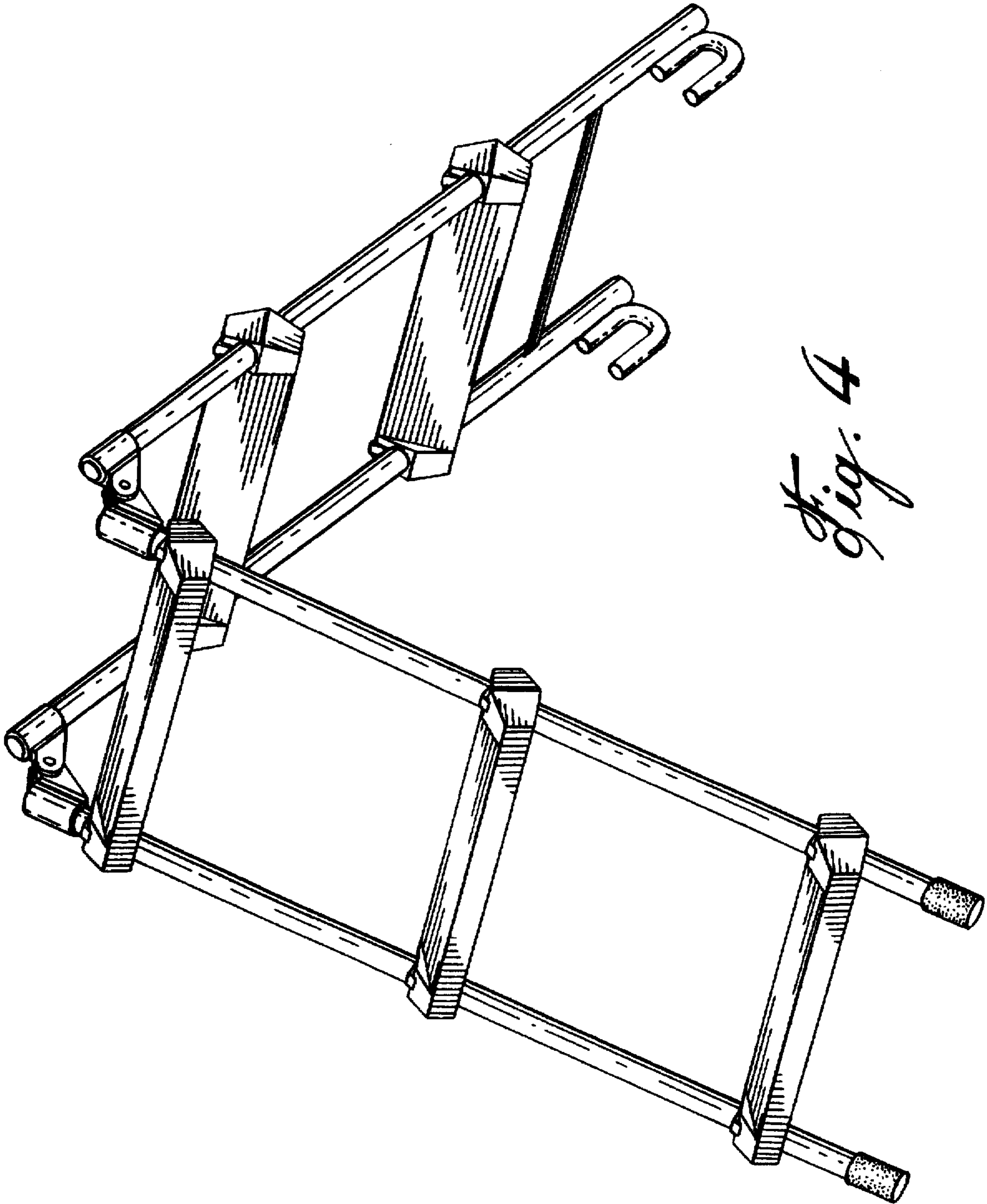


Fig. 4