

US00D392741S

United States Patent [19]
Blanchard et al.

[11] **Patent Number: Des. 392,741**
[45] **Date of Patent: **Mar. 24, 1998**

[54] **PATIENT TREATMENT TABLE**

[75] **Inventors: Frederick W. Blanchard, Hixson, Tenn.; Bobby W. Brewster, Trion, Ga.**

[73] **Assignee: Chattanooga Group, Inc., Hixson, Tenn.**

[**] **Term: 14 Years**

[21] **Appl. No.: 55,685**

[22] **Filed: Jun. 11, 1996**

[51] **LOC (6) Cl. 24-01**

[52] **U.S. Cl. D24/183**

[58] **Field of Search D24/183; 5/620, 5/306, 617, 631; 601/102, 116, 117, 127, 148**

[56] **References Cited**

U.S. PATENT DOCUMENTS

D. 200,377	2/1965	Burzlaff et al.	D24/183
D. 300,657	4/1989	Simpkins et al.	D24/183
2,579,783	12/1951	Branto	5/620
4,333,638	6/1982	Gillotti	5/620
4,856,497	8/1989	Westphal	D24/183 X
4,973,034	11/1990	Michelé	5/617
5,074,286	12/1991	Gillaspie et al.	601/148

OTHER PUBLICATIONS

Triton[®] Traction/Treatment Tables, published by Chattanooga Group, Inc. (1993).

Primary Examiner—Stella Reid
Attorney, Agent, or Firm—Chambliss, Bahner & Stophel, P.C.

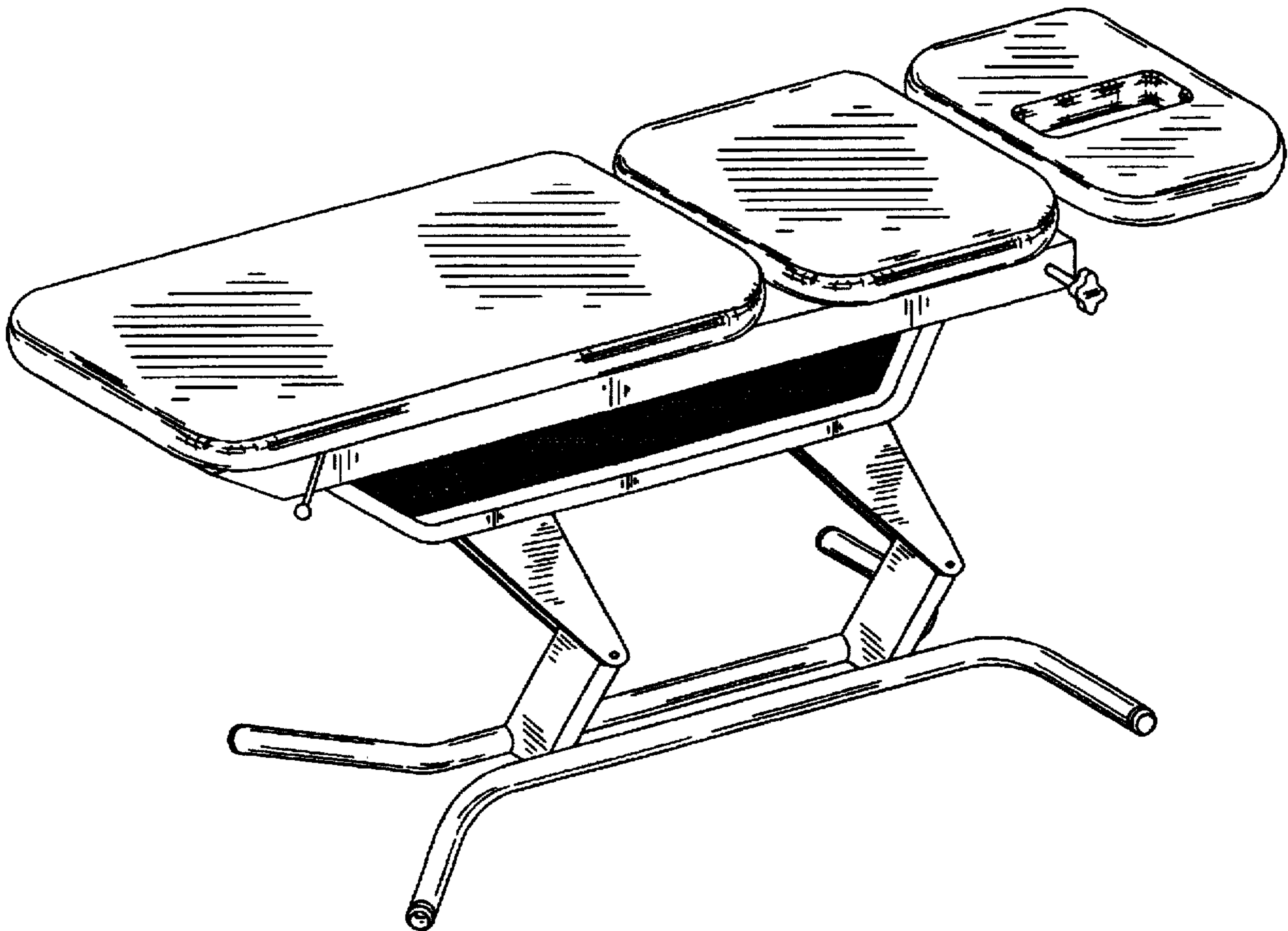
[57] **CLAIM**

The ornamental design for a patient treatment table, as shown and described.

DESCRIPTION

FIG. 1 is a perspective view of a patient treatment table which embodies the invention;
FIG. 2 is a side elevation view of the table;
FIG. 3 is a top plan view of the table;
FIG. 4 is a bottom plan view of the table;
FIG. 5 is a rear elevation view of the table, looking from the left side of FIG. 2;
FIG. 6 is a front elevation view of the table, looking from the right side of FIG. 2; and
FIG. 7 is a view similar to FIG. 1 but illustrating the table in a lowered position.

1 Claim, 4 Drawing Sheets



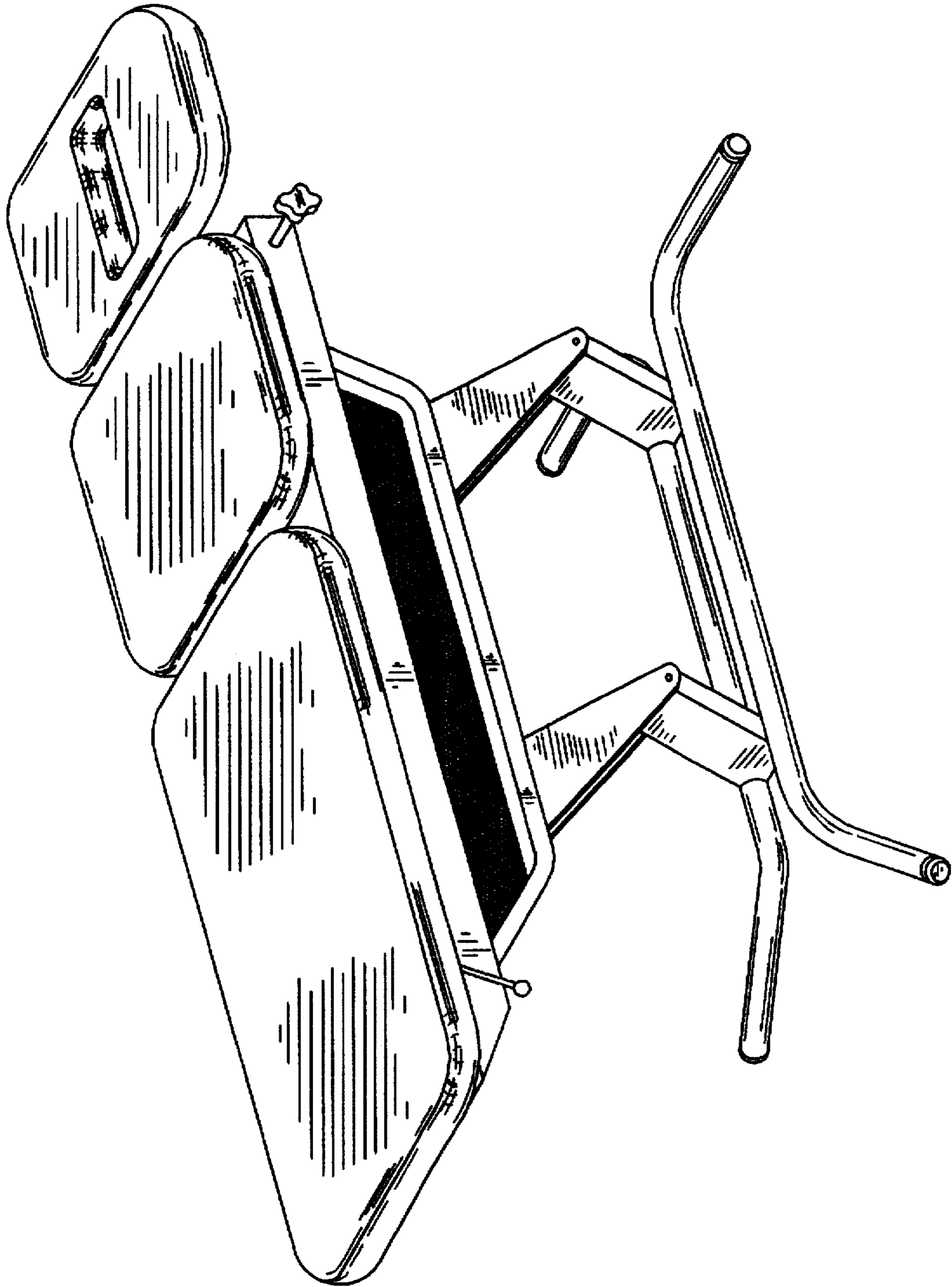


FIG. 1

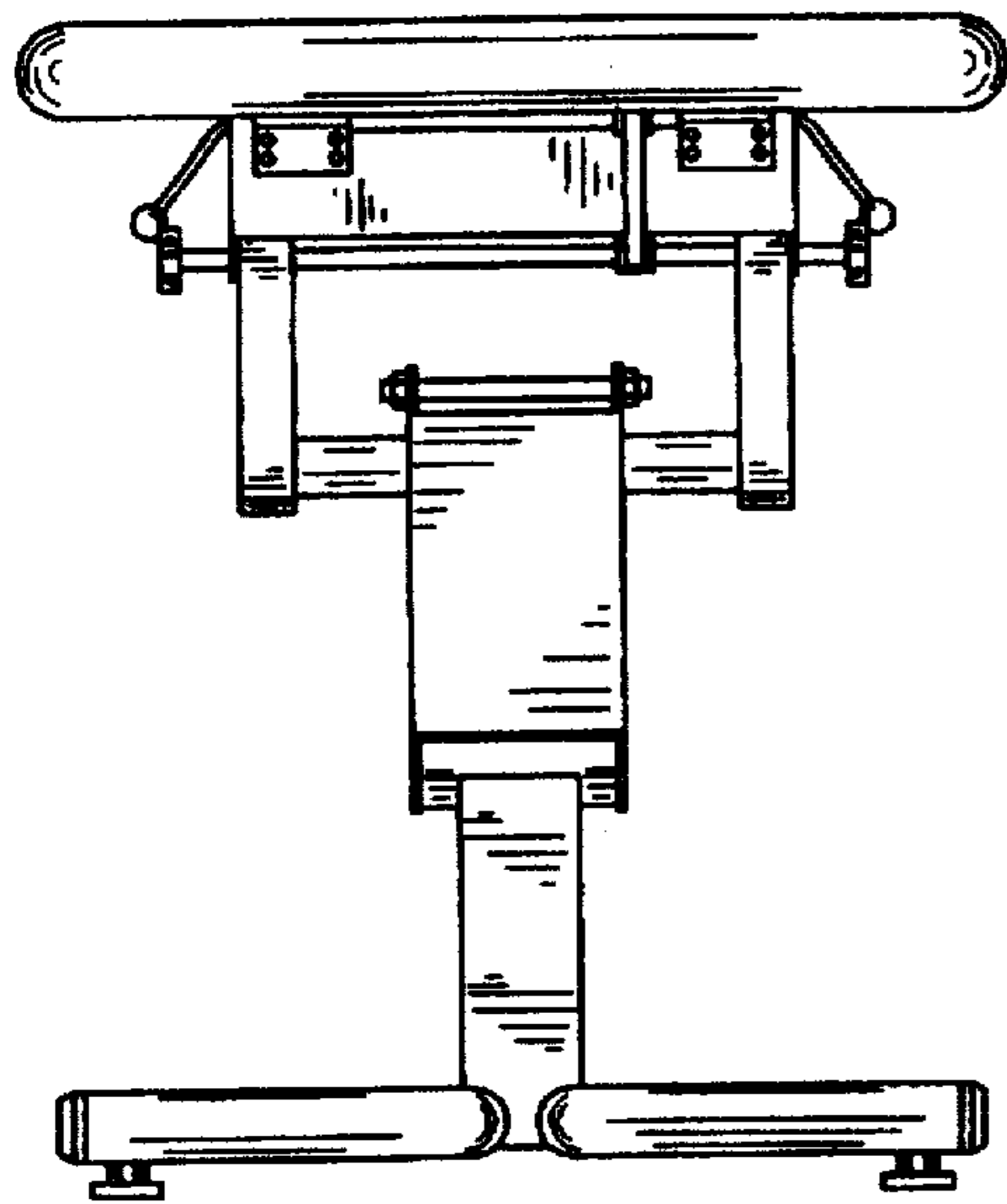


FIG. 6

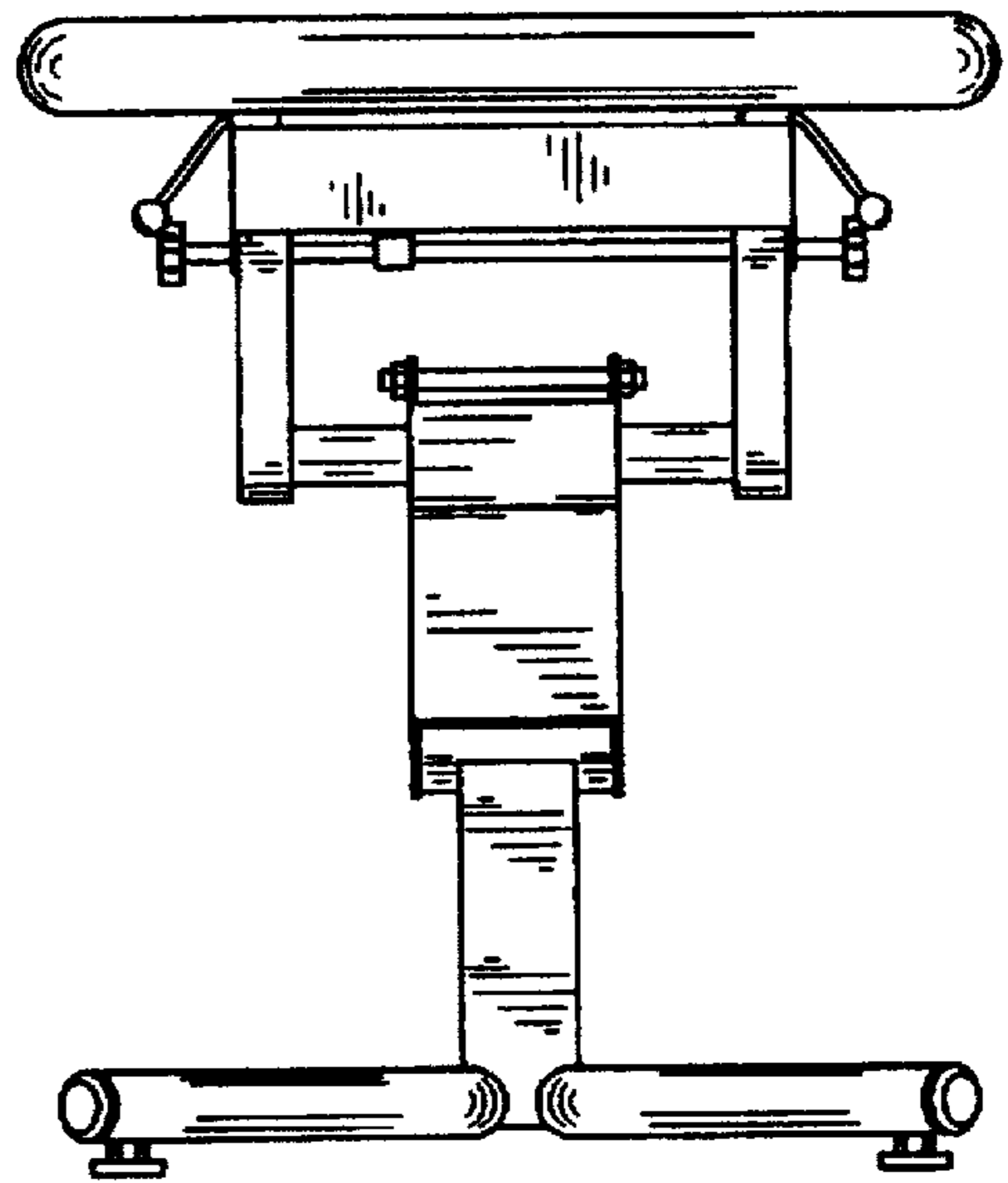


FIG. 5

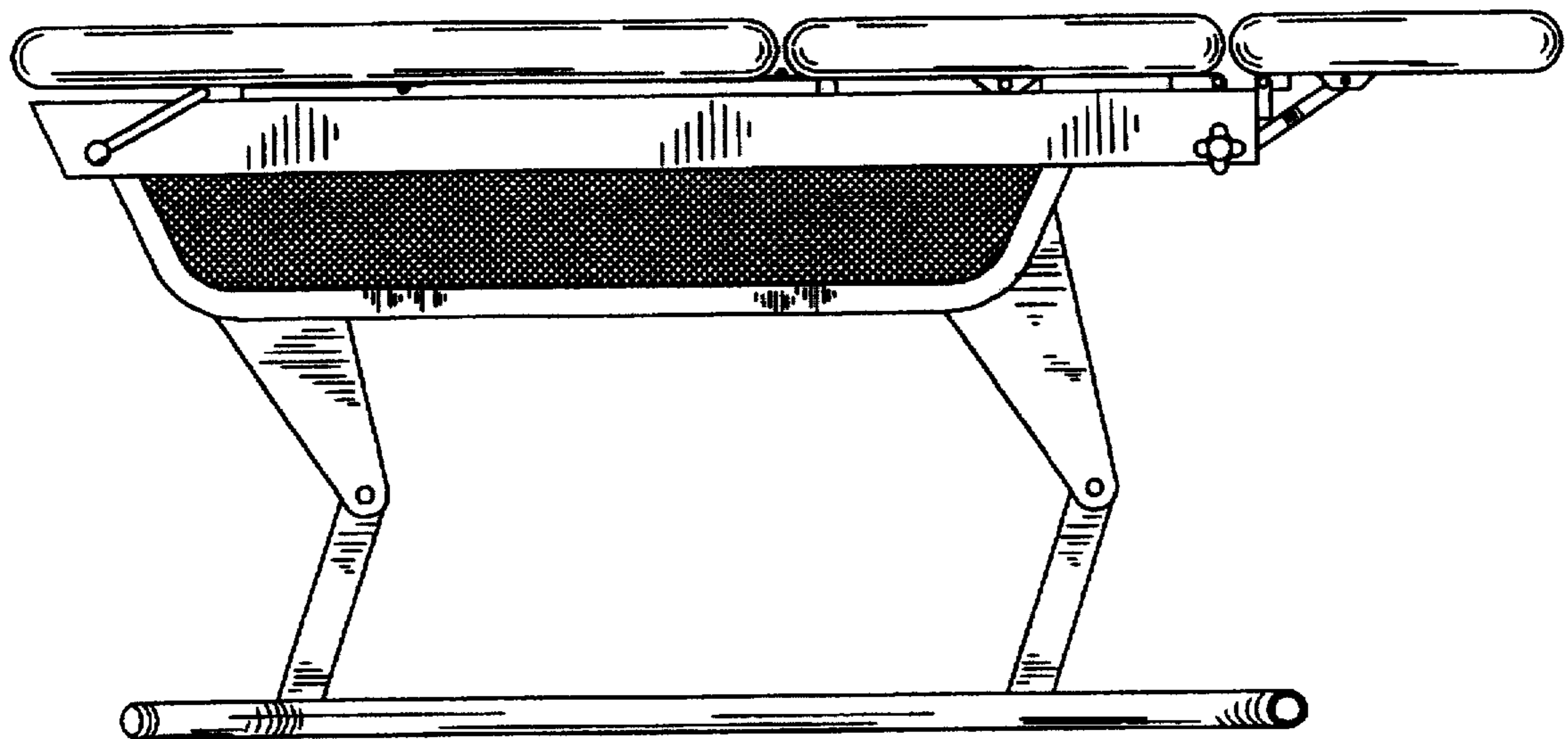


FIG. 2

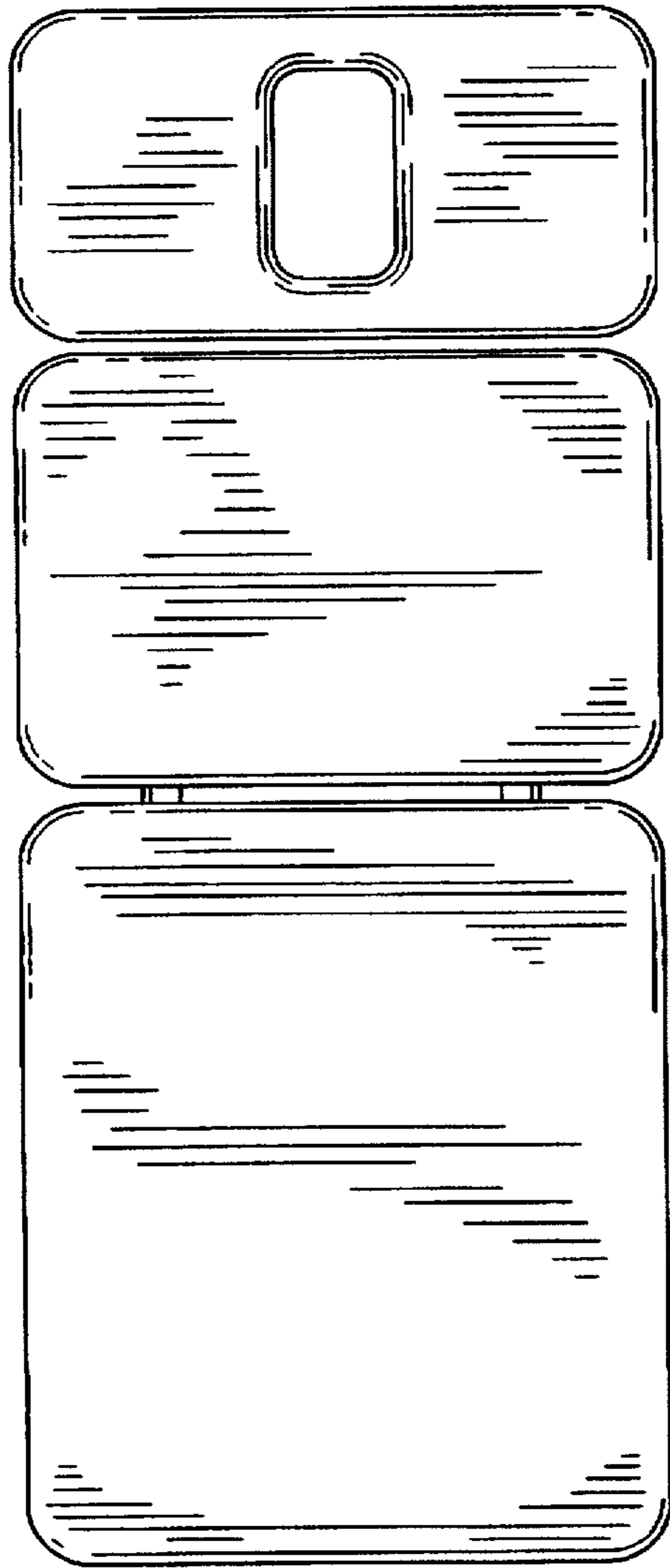


FIG. 3

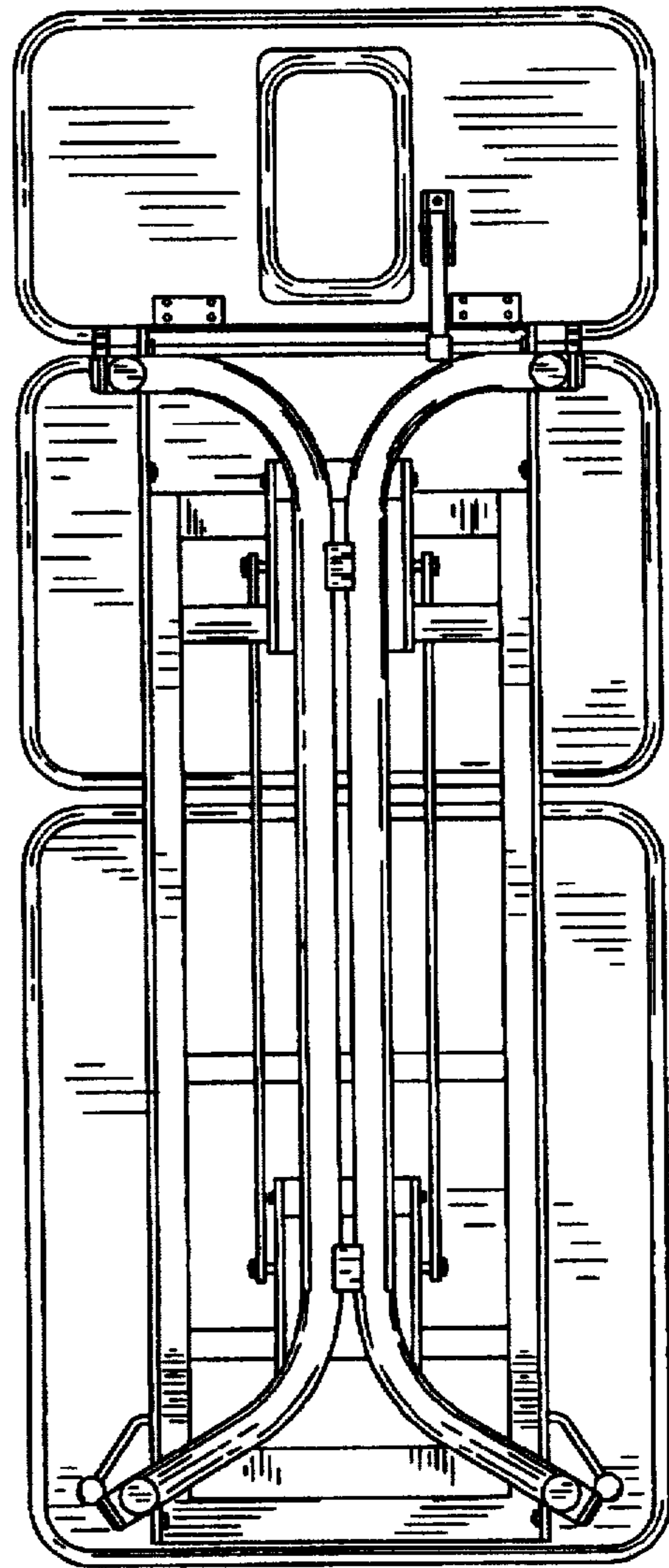


FIG. 4

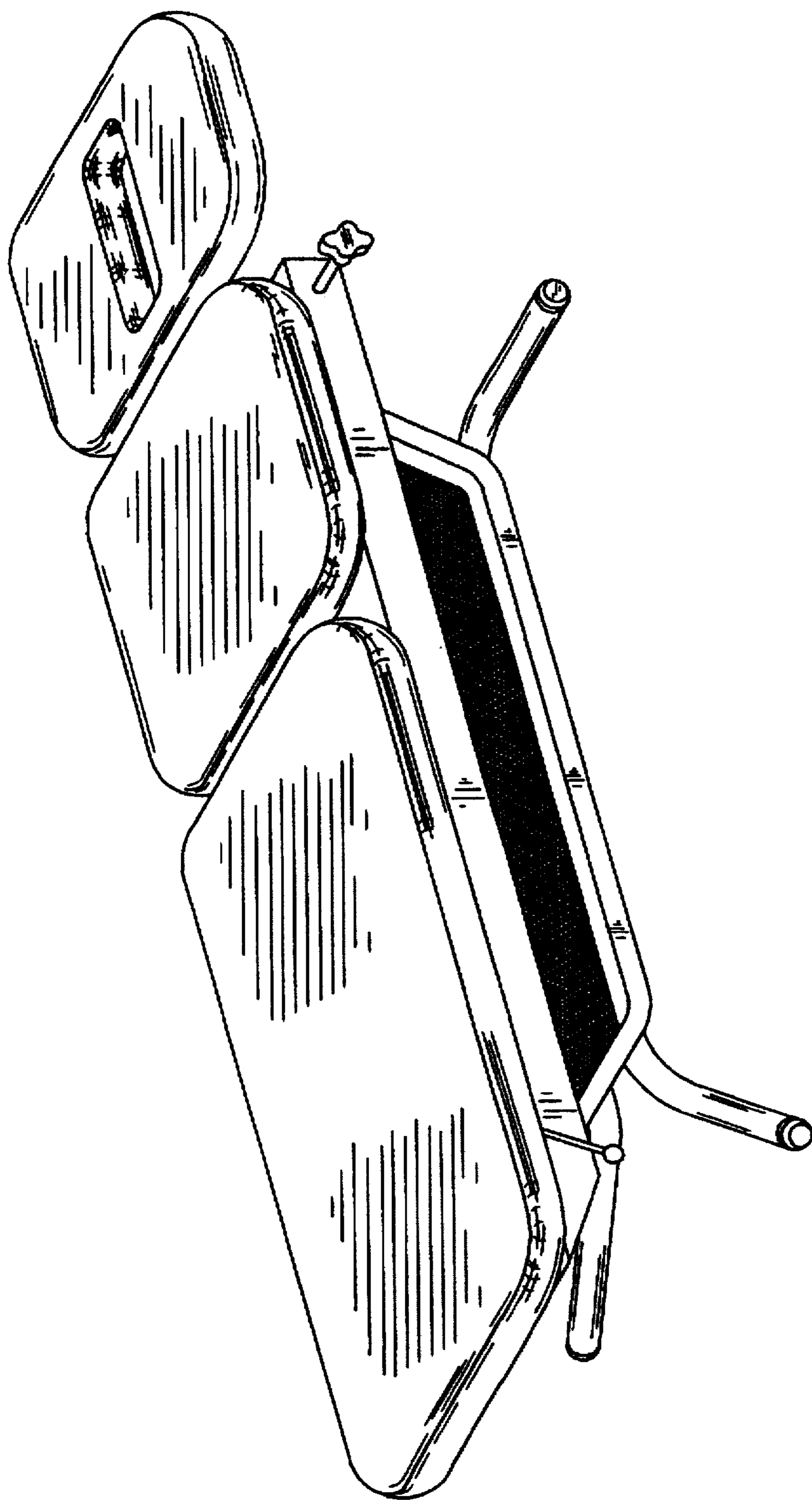


FIG. 7