



US00D392740S

United States Patent [19]

Yung et al.

[11] Patent Number: **Des. 392,740**

[45] Date of Patent: ****Mar. 24, 1998**

[54] **BLOOD GLUCOSE MONITORING SYSTEM**

[75] Inventors: **Anthony Yung**, Saratoga; **Terri C. LaBelle**, San Jose; **Max Yoshimoto**; **June Lee**, both of San Francisco; **Herb Lara**, Newark; **Mitch Webster**, Fremont; **Craig W. Pendry**, Milpitas, all of Calif.

[73] Assignee: **Lifescan, Inc.**, Milpitas, Calif.

[**] Term: **14 Years**

[21] Appl. No.: **64,415**

[22] Filed: **Dec. 31, 1996**

[51] LOC (6) Cl. **24-01**

[52] U.S. Cl. **D24/169**

[58] Field of Search D24/186, 167, D24/165, 169; 128/633, 630, 635, 665, 664

[56] **References Cited**

U.S. PATENT DOCUMENTS

- D. 318,331 7/1991 Phillips et al. D24/169
- D. 351,469 10/1994 Okamoto et al. D24/186 X

- D. 369,864 5/1996 Petersen D24/169
- D. 371,198 6/1996 Savage et al. D24/169
- D. 371,440 7/1996 Petersen D24/186 X
- 4,627,445 12/1986 Garcia et al. 128/770
- 4,685,059 8/1987 Yamamoto 364/415
- 4,916,441 4/1990 Gombrich 340/712
- 5,553,613 9/1996 Parker 128/633

OTHER PUBLICATIONS

Brochure—i-Stat Portable Clinical Analyzer—1994.

Primary Examiner—Stella Reid

Attorney, Agent, or Firm—James Riesenfeld

[57] **CLAIM**

The ornamental design for a blood glucose monitoring system, as shown and described.

DESCRIPTION

FIG. 1 is a perspective view, as seen from the top, front and right side of the blood glucose monitoring system, showing our new design;

FIG. 2 is a top plan view thereof;

FIG. 3 is a bottom plan view thereof;

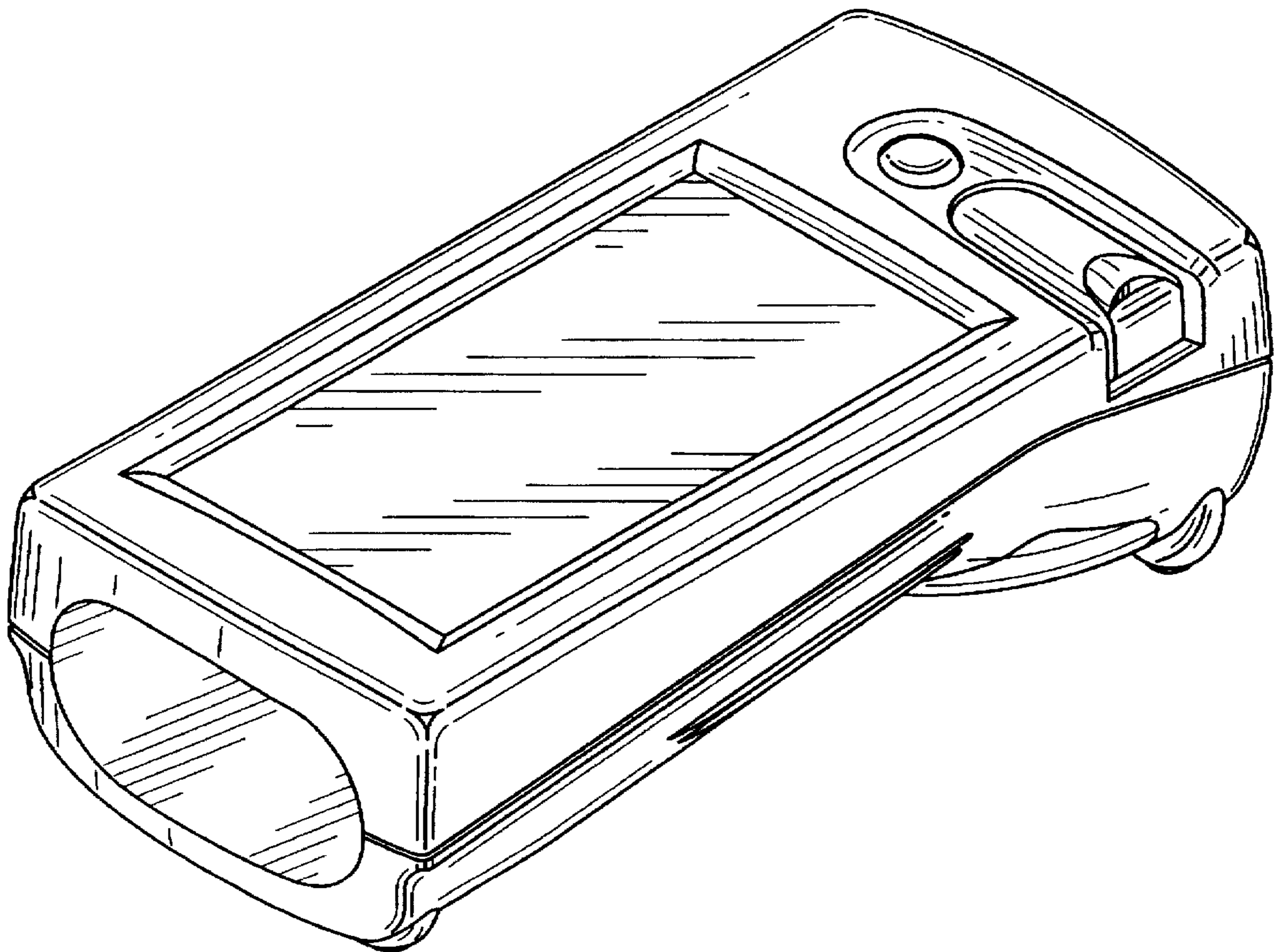
FIG. 4 is a front elevational view thereof;

FIG. 5 is a right side elevational view thereof;

FIG. 6 is a left side elevational view thereof; and,

FIG. 7 is a rear elevational view thereof.

1 Claim, 7 Drawing Sheets



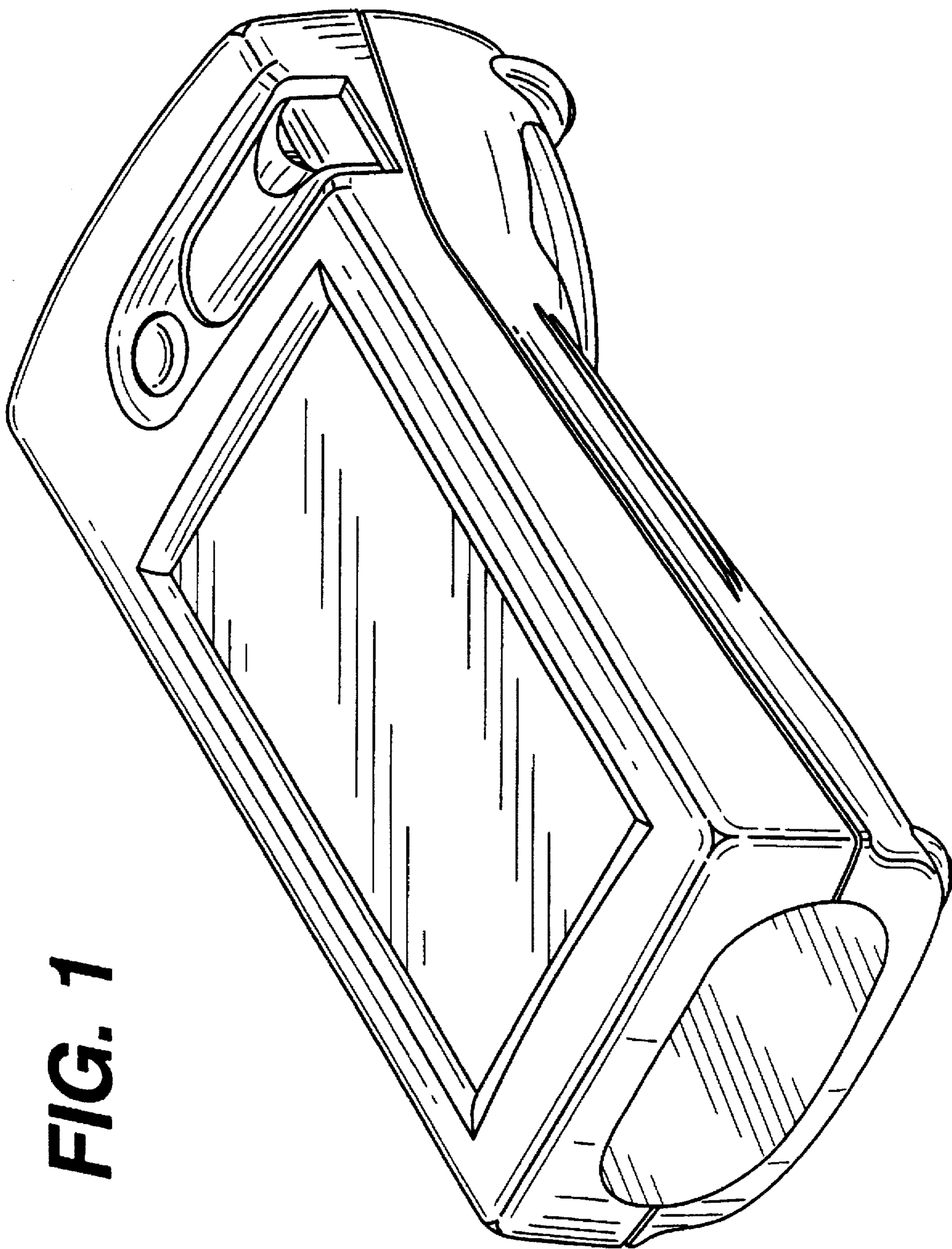


FIG. 1

FIG. 2

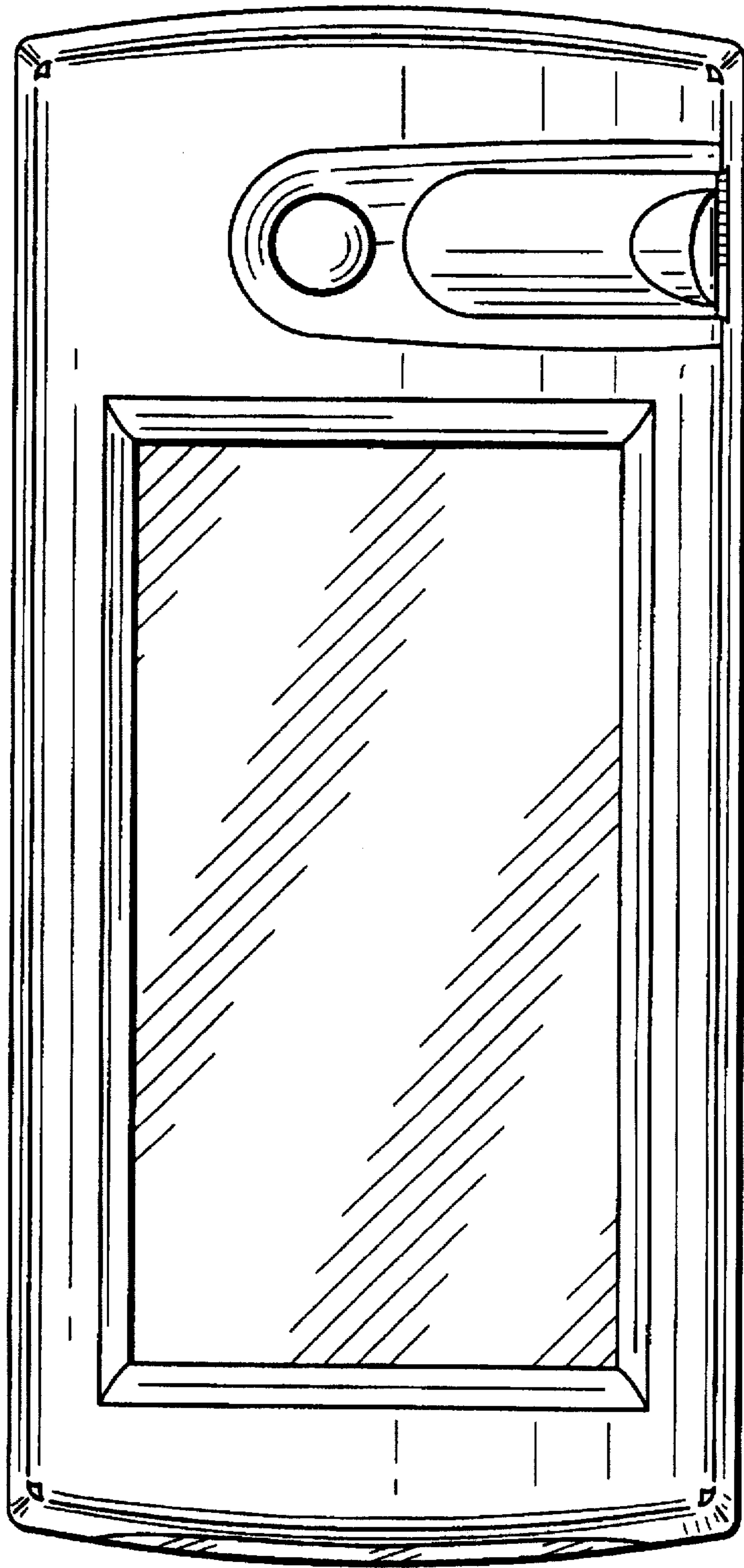


FIG. 3

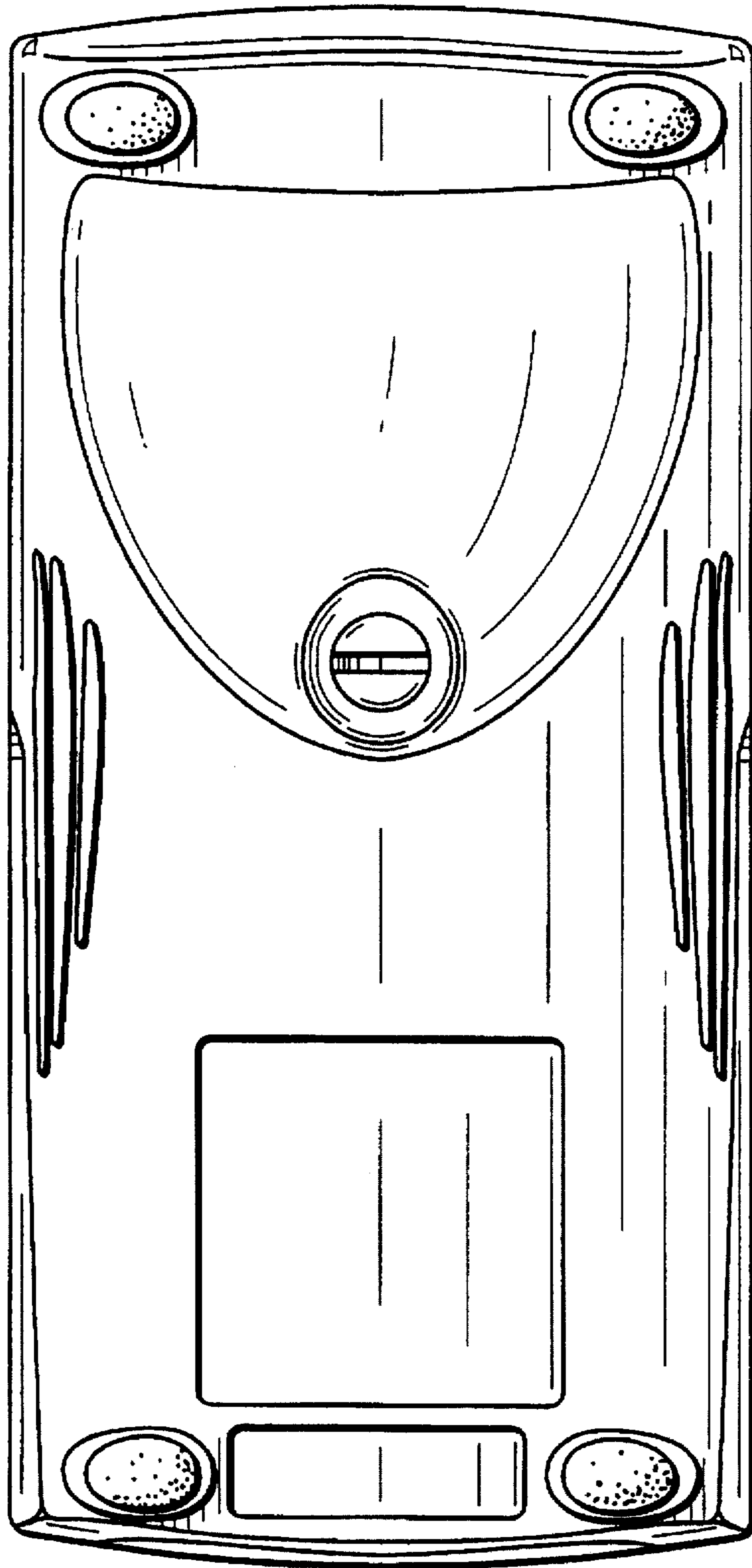


FIG. 4

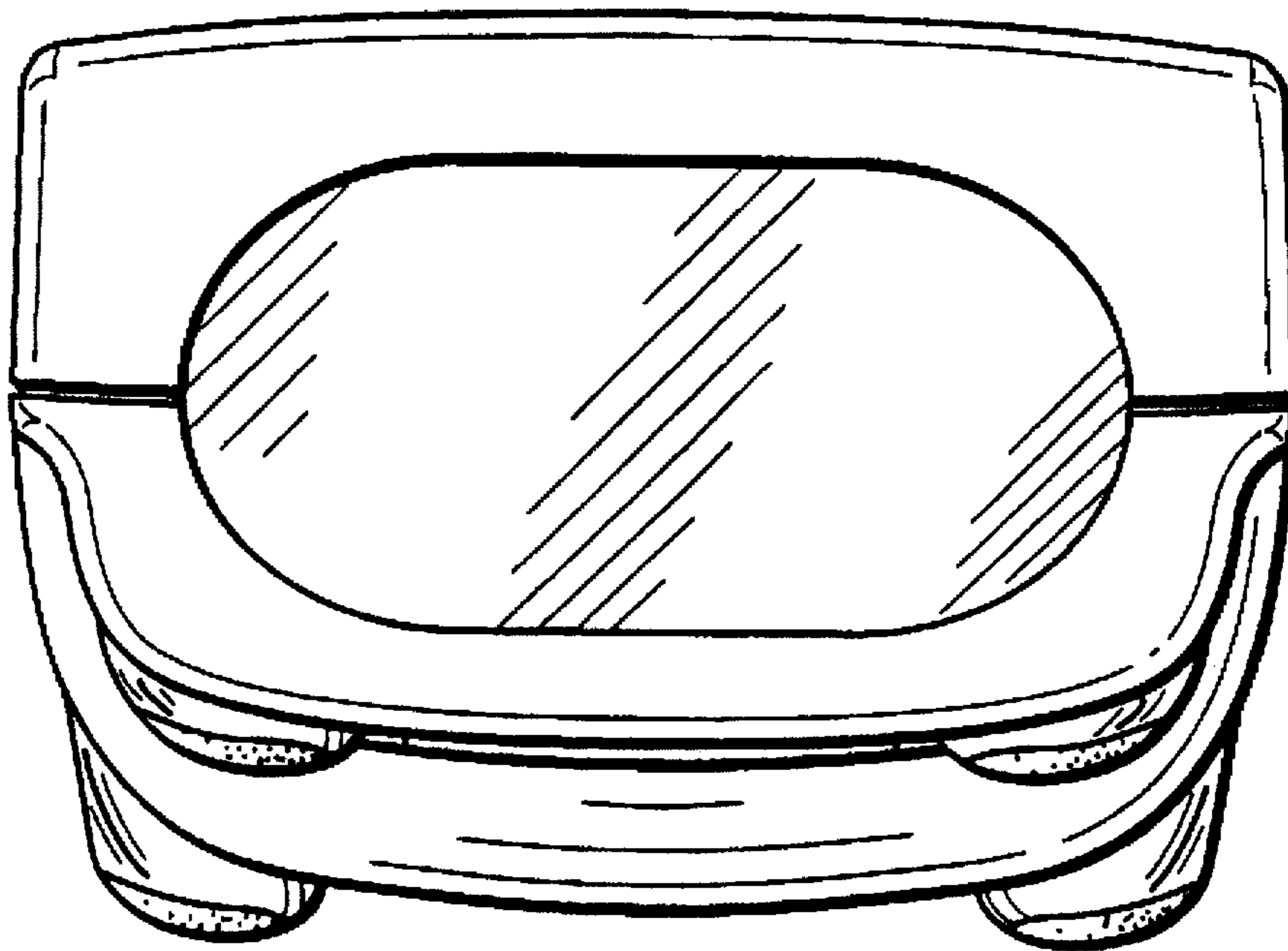


FIG. 5

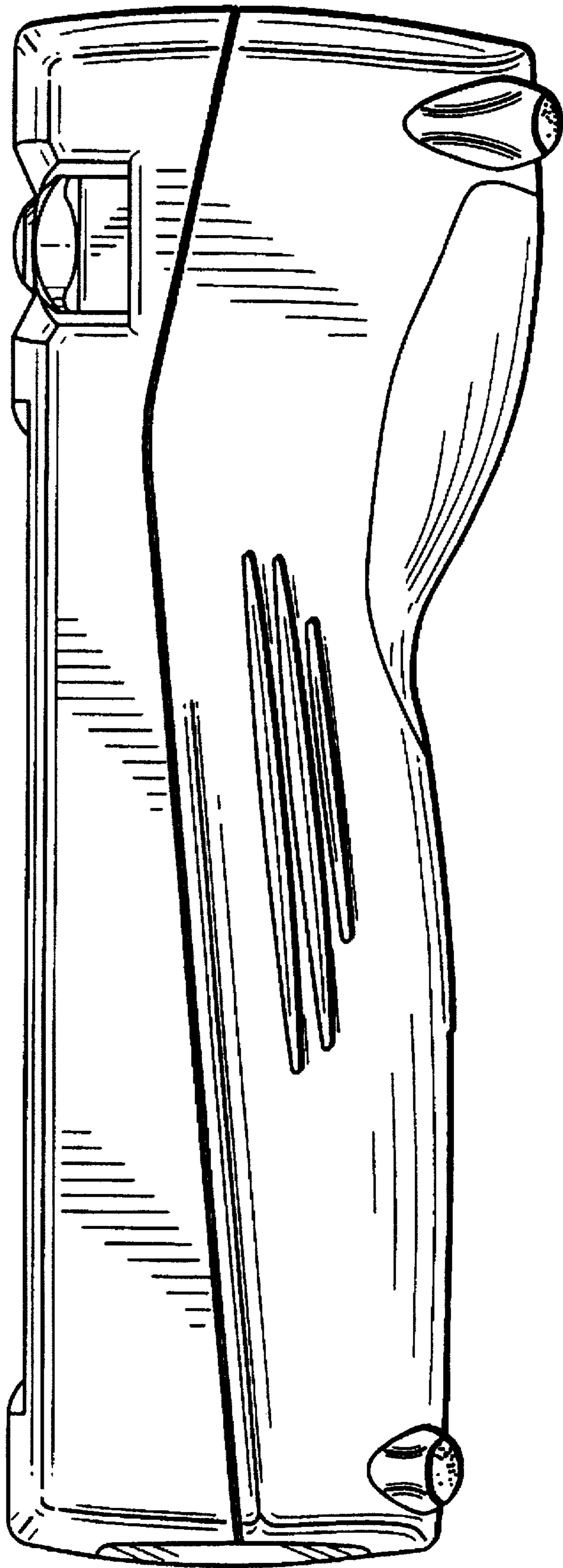


FIG. 6

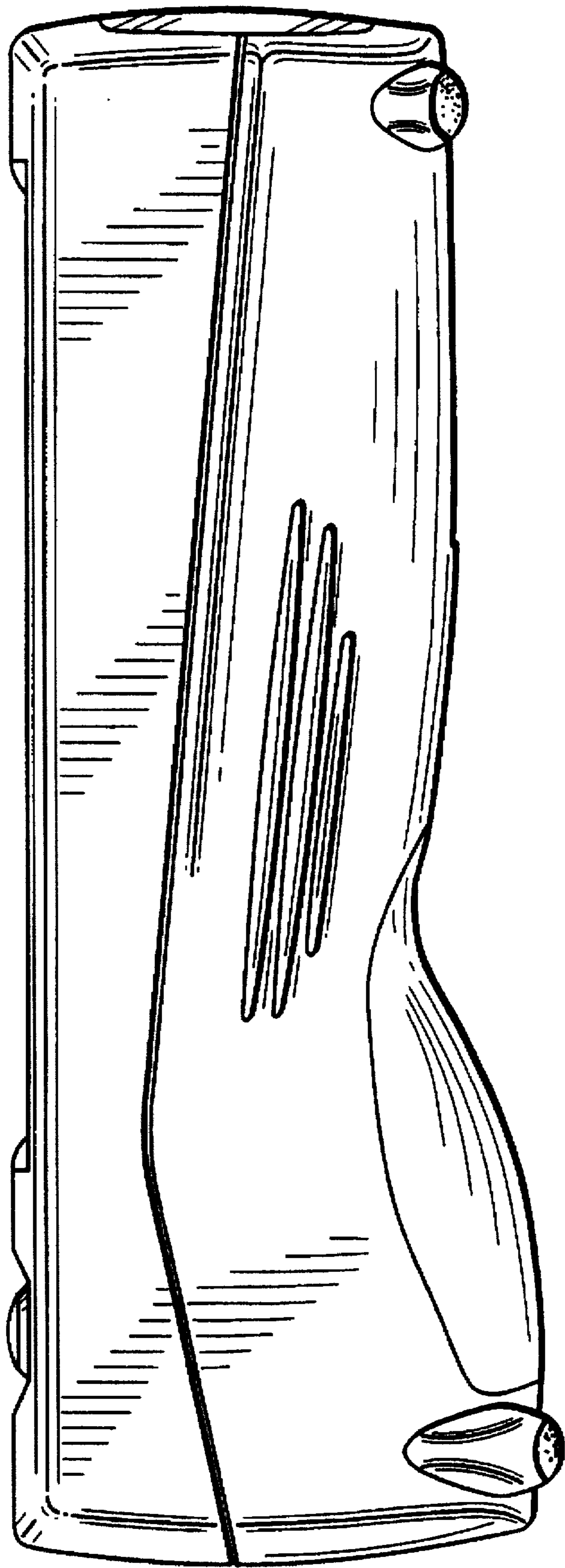


FIG. 7

