



US00D392738S

United States Patent [19]
McCool et al.

[11] **Patent Number: Des. 392,738**
[45] **Date of Patent: **Mar. 24, 1998**

[54] **FLEXIBLE SURGICAL RAZOR**
[75] **Inventors: Gregory F. McCool, Staunton; Jeffrey W. Wonderley, Fort Defiance, both of Va.; Robert J. Segal, Los Cruces, N. Mex.**

[73] **Assignee: American Safety Razor, Verona, Va.**
[**] **Term: 14 Years**

[21] **Appl. No.: 41,921**
[22] **Filed: Jul. 12, 1995**

[51] **LOC (6) Cl. 24-02**
[52] **U.S. Cl. D24/146**
[58] **Field of Search D24/146, 147; 606/181, 171, 167; 30/131, 132, 149, 329, 346.5, 346.55; D28/44, 45, 46**

[56] **References Cited**
U.S. PATENT DOCUMENTS

951,456	3/1910	Saxton .
1,174,932	3/1916	Grenier .
1,893,524	1/1933	Shanley .
1,934,151	11/1933	Slama et al. .
1,974,568	9/1934	Grotenhuis .
2,035,110	3/1936	Becker et al. .
2,041,778	5/1936	Peters .
2,361,921	11/1944	Albert .
2,453,198	11/1948	Corbett .
3,583,403	6/1971	Pohl et al. .
3,688,407	9/1972	Paquette .
3,916,418	10/1975	Neveu .
4,038,986	8/1977	Mahler .

4,221,222	9/1980	Detsch .	
4,438,767	3/1984	Nelson .	
4,516,320	5/1985	Peleckis .	
4,651,734	3/1987	Doss et al. .	
4,690,139	9/1987	Rosenberg .	
4,782,590	11/1988	Pope .	
4,887,356	12/1989	Rudd, Sr. .	
4,893,641	1/1990	Strickland .	
4,916,816	4/1990	Richman	30/47 X
4,943,295	7/1990	Hartlaub et al. .	
4,979,300	12/1990	Blank et al.	30/346.5 X
5,062,210	11/1991	Arroyo Jr.	30/331 X

OTHER PUBLICATIONS

DermQuest —“Introducing A Revolutionary New Biopsy Shaver” Brochure, Tampa, Florida (Jul. 1994).

Primary Examiner—Stella Reid
Attorney, Agent, or Firm—McDermott, Will & Emery

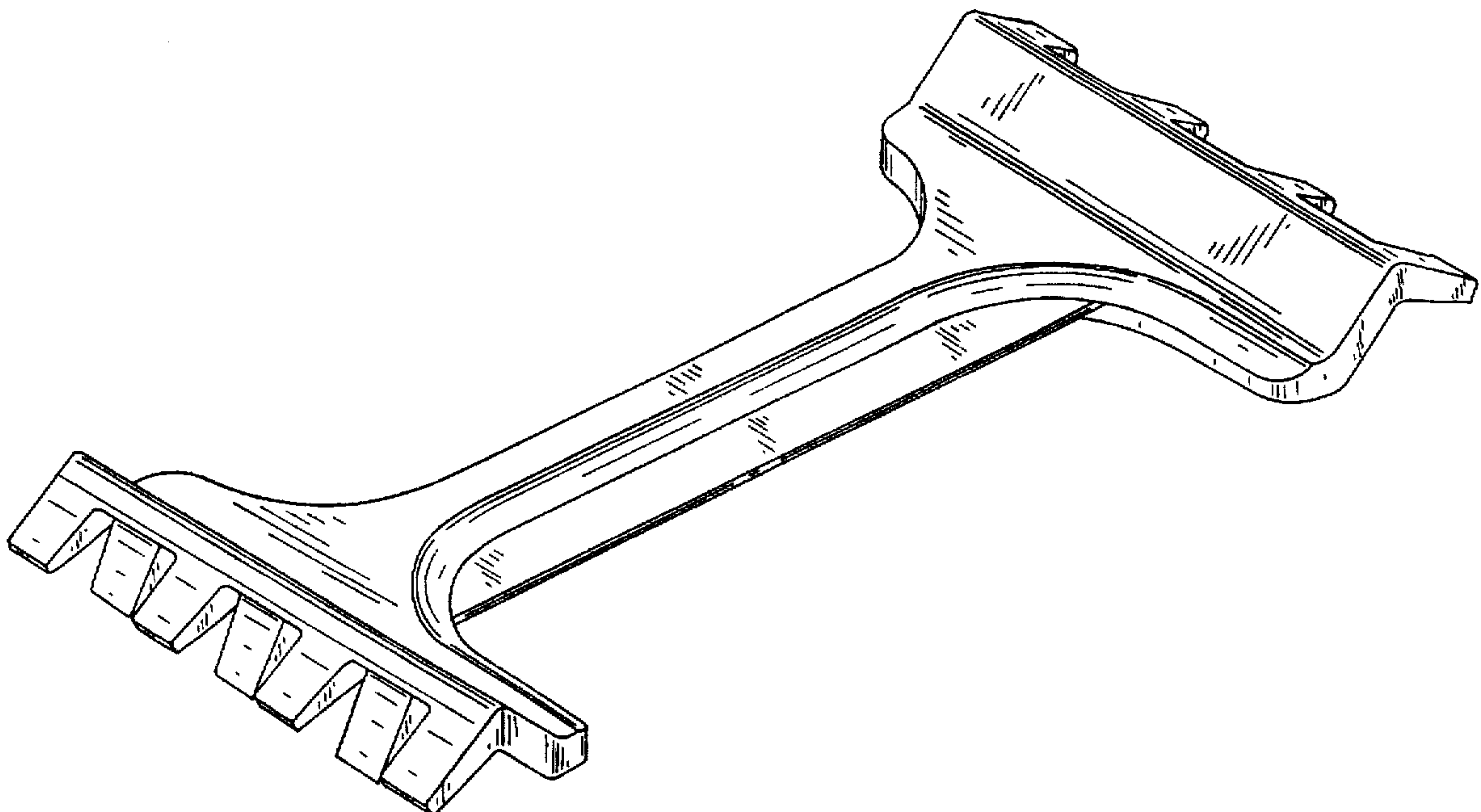
[57] **CLAIM**

The ornamental design for flexible surgical razor, as shown and described.

DESCRIPTION

FIG. 1 is a top plan view of a flexible surgical razor, showing our new design;
FIG. 2 is a side elevational view thereof;
FIG. 3 is a perspective view thereof;
FIG. 4 is a right side elevational view thereof; the left side elevational view being identical thereto;
FIG. 5 is a bottom plan view thereof; and,
FIG. 6 is a side elevational view thereof, opposite that shown in FIG. 2.

1 Claim, 3 Drawing Sheets



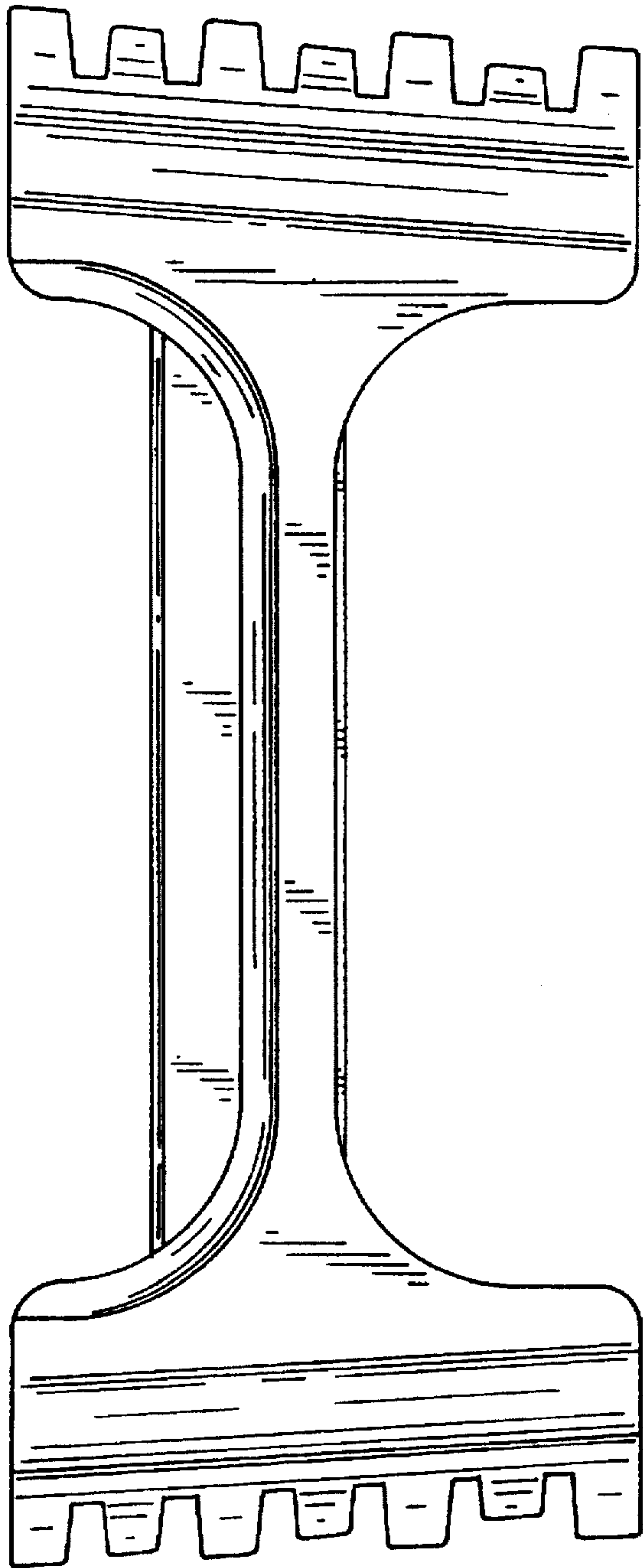


FIG. 1

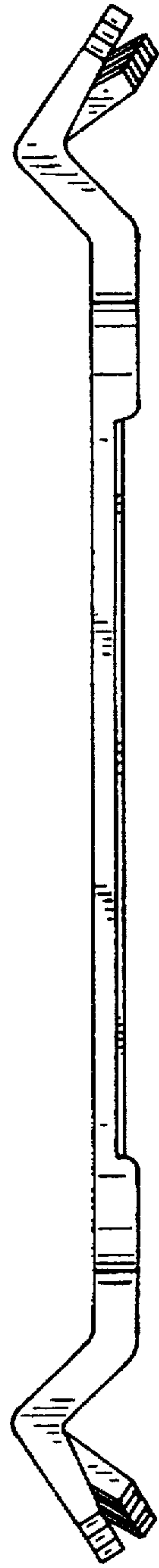


FIG. 2

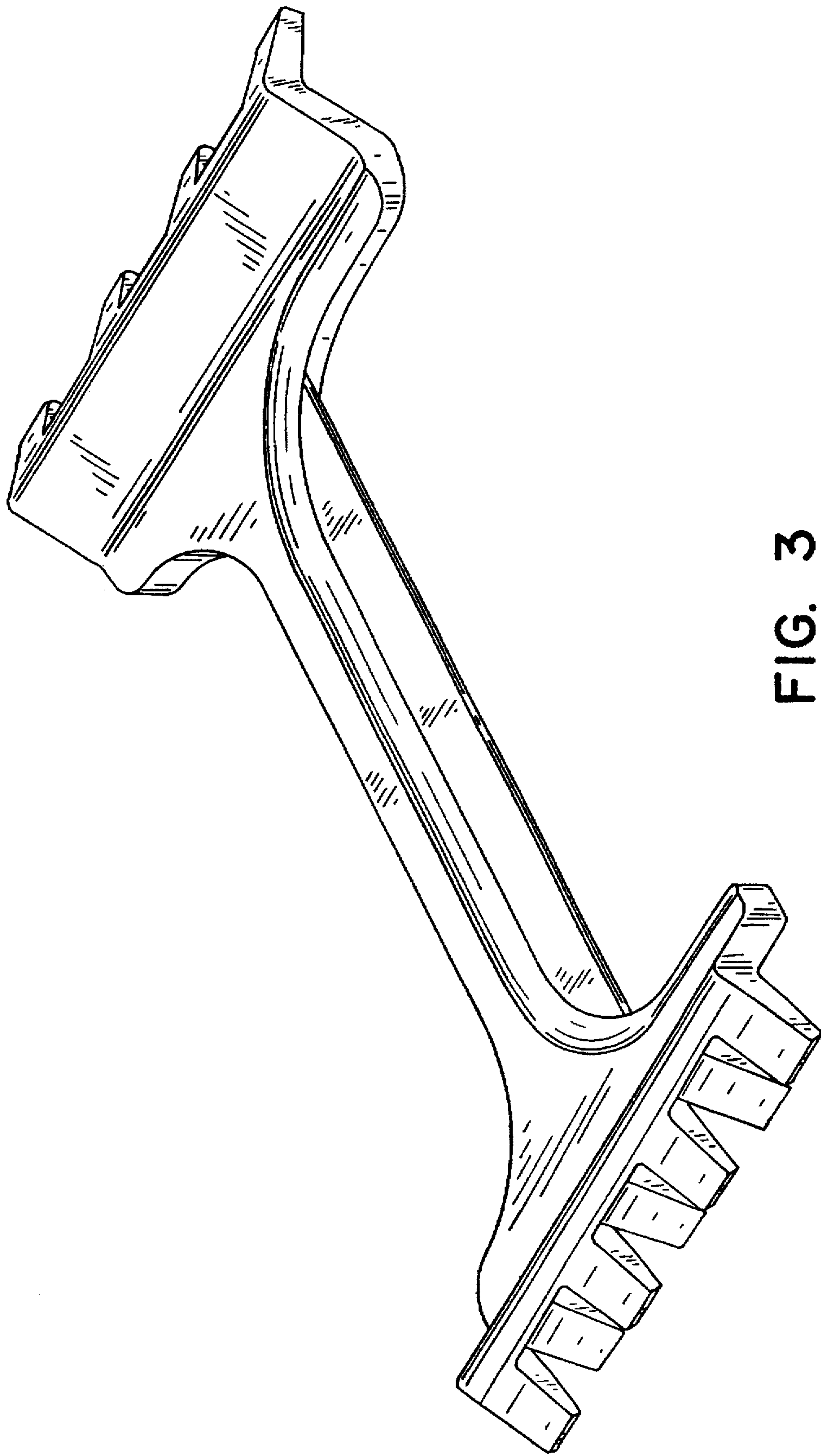


FIG. 3

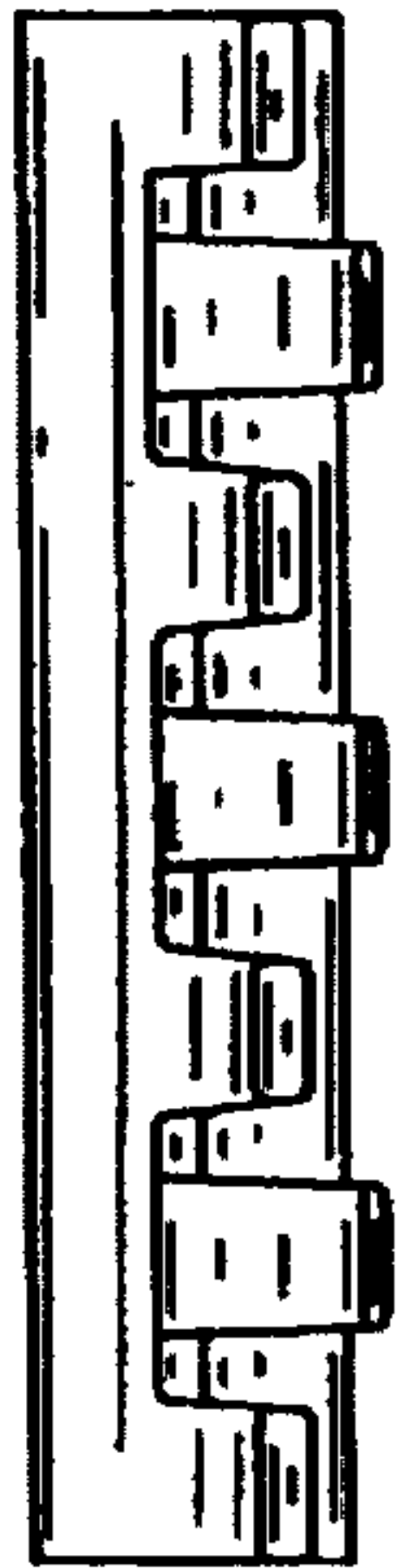


FIG. 4

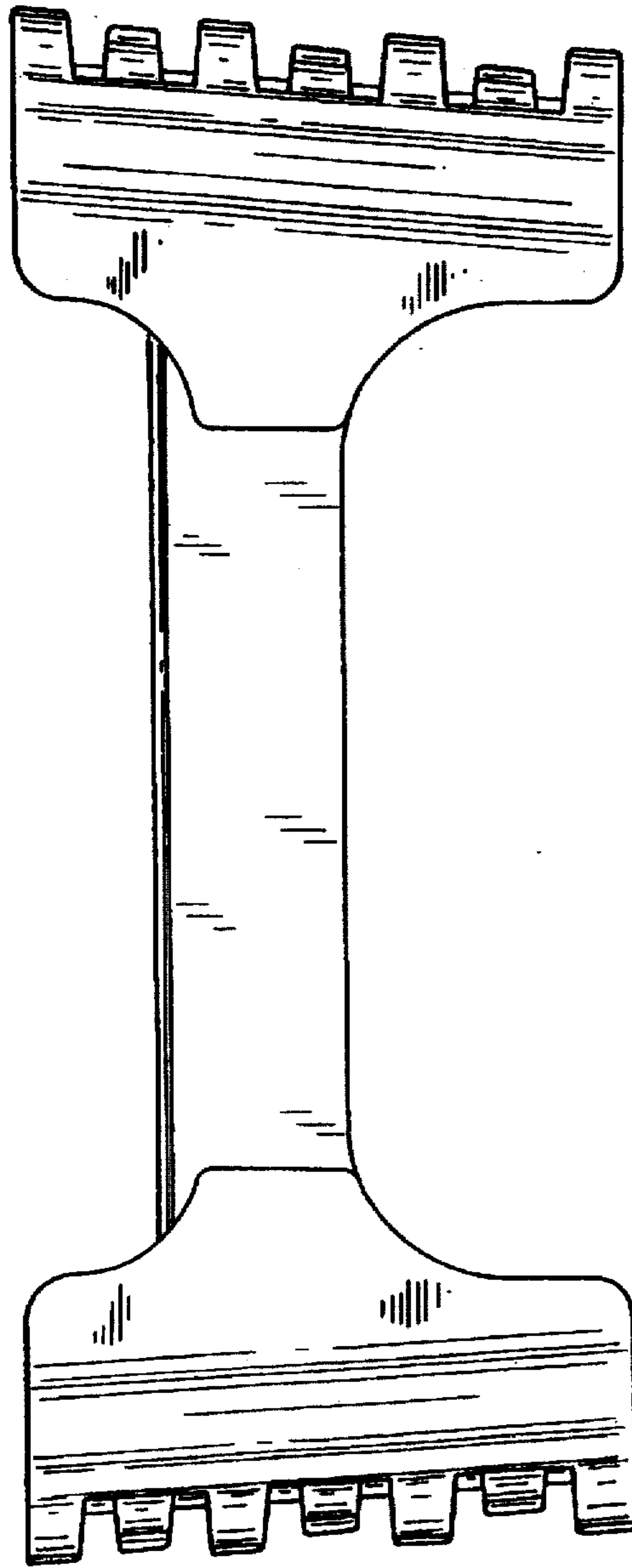


FIG. 5

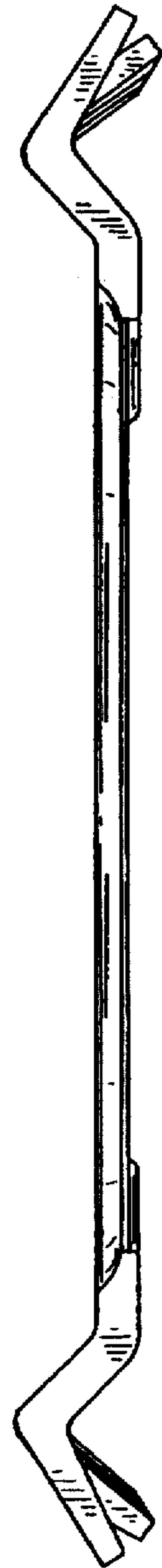


FIG. 6