



US00D392731S

United States Patent [19]

Hulsebus et al.

[11] Patent Number: **Des. 392,731**

[45] Date of Patent: ****Mar. 24, 1998**

[54] **PORTABLE AIR PURIFIER**

[75] Inventors: **Randy K. Hulsebus**, Plymouth; **Barry G. Anderson**, Sheboygan; **Daniel DeLay**, Waterford, all of Wis.

[73] Assignee: **Bemis Manufacturing Company**, Sheboygan Falls, Wis.

[**] Term: **14 Years**

[21] Appl. No.: **69,388**

[22] Filed: **Apr. 10, 1997**

[51] LOC (6) Cl. **23-04**

[52] U.S. Cl. **D23/364; D23/355**

[58] Field of Search **D23/364, 365, D23/370, 355, 381; 55/356; 422/120**

[56] **References Cited**

U.S. PATENT DOCUMENTS

D. 310,412	9/1990	Fukumoto et al.	D23/359
D. 323,210	1/1992	Wortham	D23/364
D. 328,637	8/1992	Muller et al.	D23/364
D. 343,677	1/1994	Gyori et al.	D23/364
D. 344,791	3/1994	Cunning	D23/364
D. 349,566	8/1994	O'Grady	D23/364
D. 350,191	8/1994	Tsuji	D23/364

D. 368,770	4/1996	Tanner et al.	D23/364
D. 377,523	1/1997	Marvin et al.	D23/364

OTHER PUBLICATIONS

Hong Kong Household, p. 54, "Air Romance" Air Cleaner, Oct. 1984.

Primary Examiner—Lisa Lichtenstein

Attorney, Agent, or Firm—Michael, Best & Friedrich LLP

[57] **CLAIM**

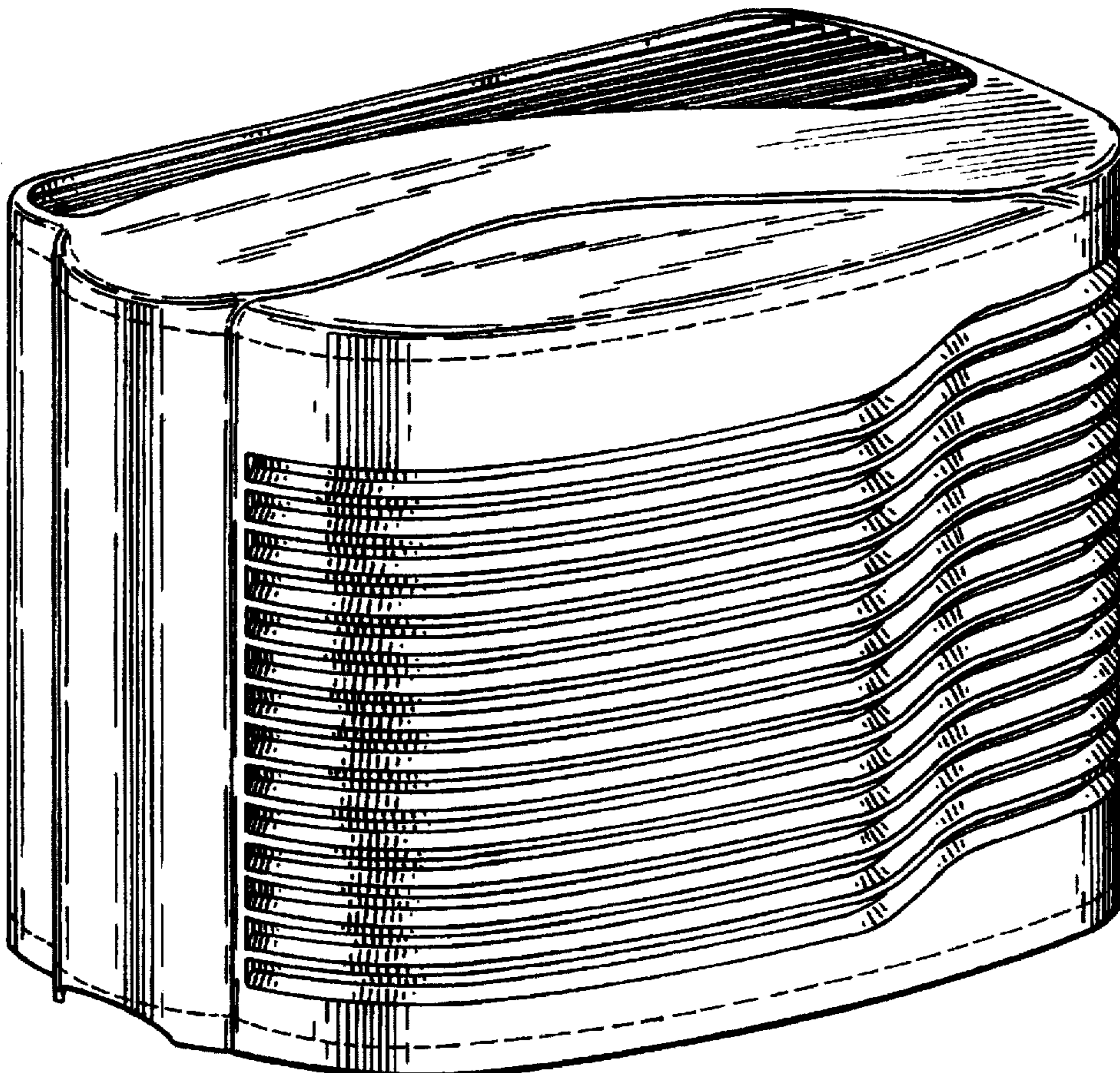
The ornamental design for a portable air purifier, as shown and described.

DESCRIPTION

FIG. 1 is a perspective view of a portable air purifier showing our new design; FIG. 2 is an enlarged top plan view thereof; FIG. 3 is a front elevational view thereof; FIG. 4 is a right side elevational view thereof; FIG. 5 is a left side elevational view thereof; and, FIG. 6 is a rear elevational view thereof.

The bottom surface of the portable air purifier is not part of the design sought to be patented and is therefore not shown. The seams are not part of the design sought to be patented and are therefore shown in dashed lines.

1 Claim, 4 Drawing Sheets



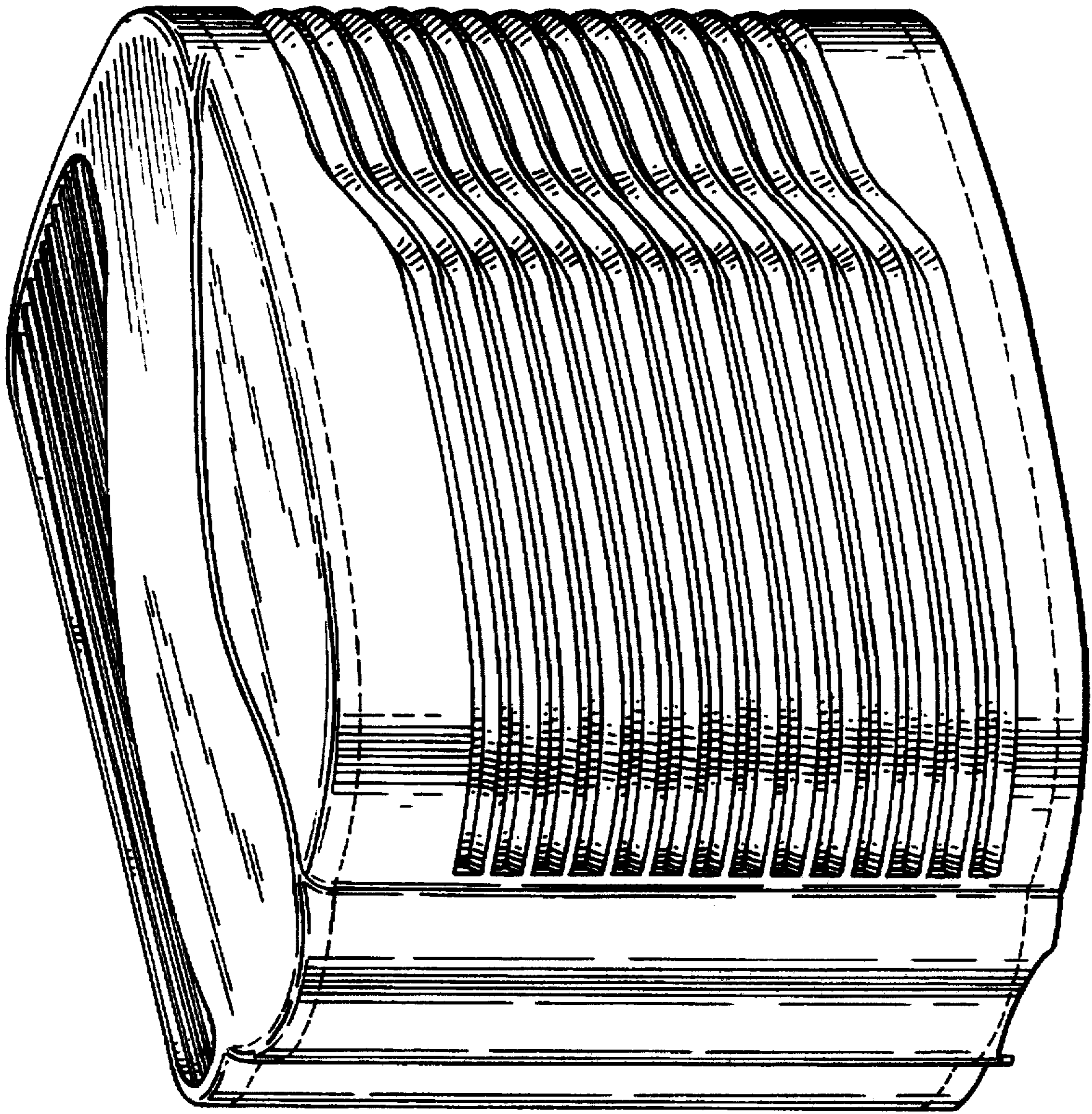


Fig. 1

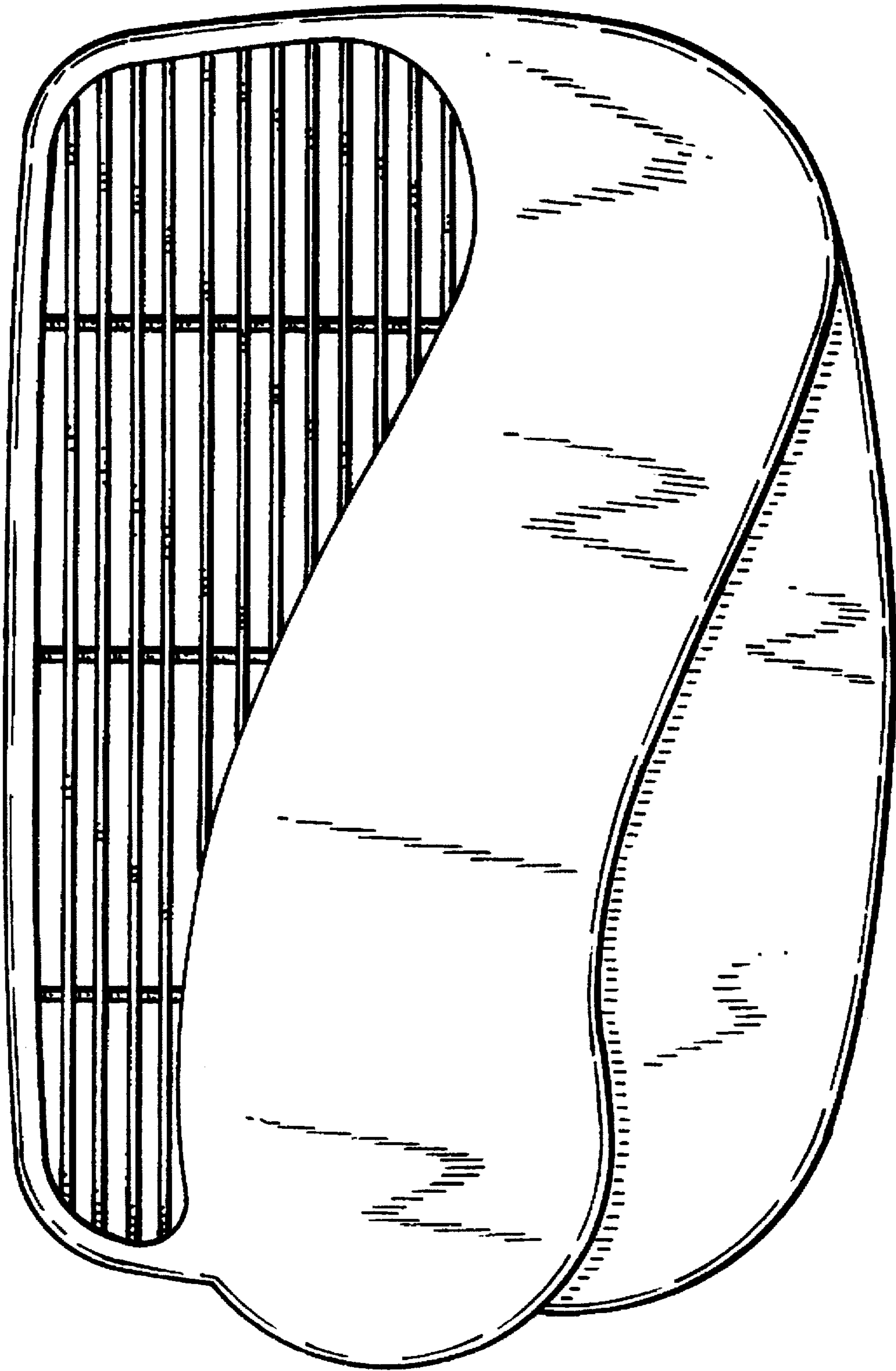


Fig. 2

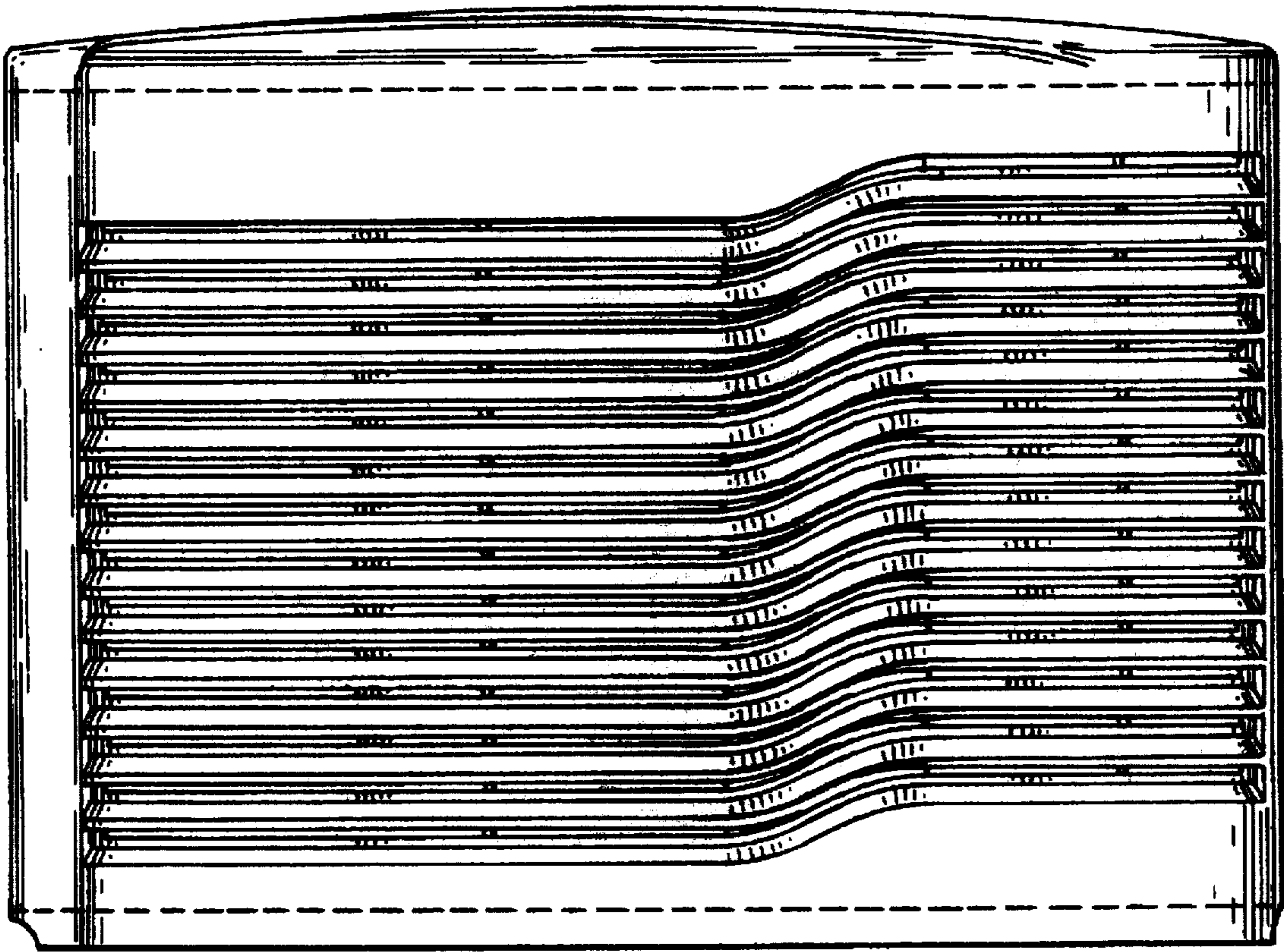


Fig. 3

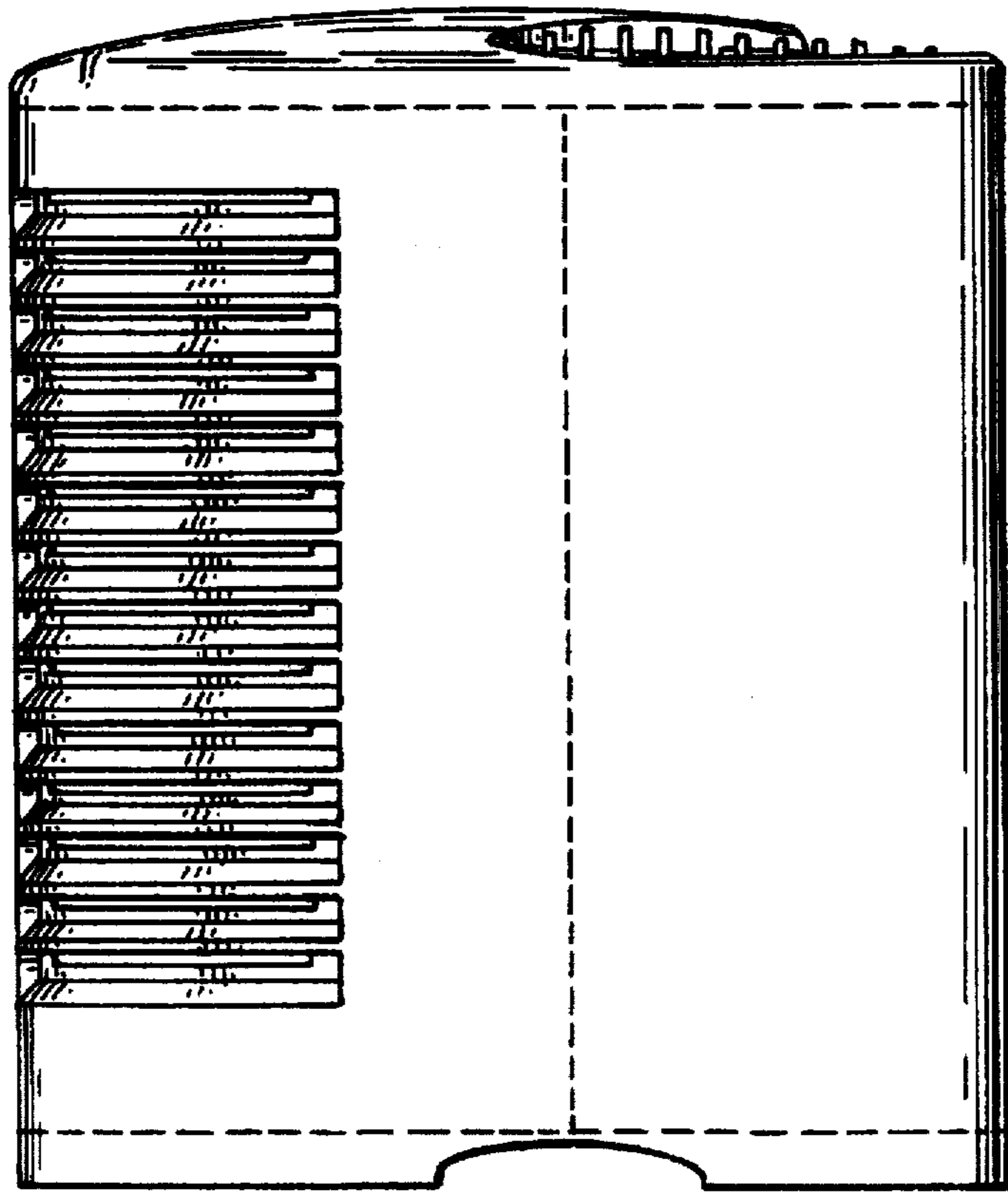


Fig. 4

Fig. 5

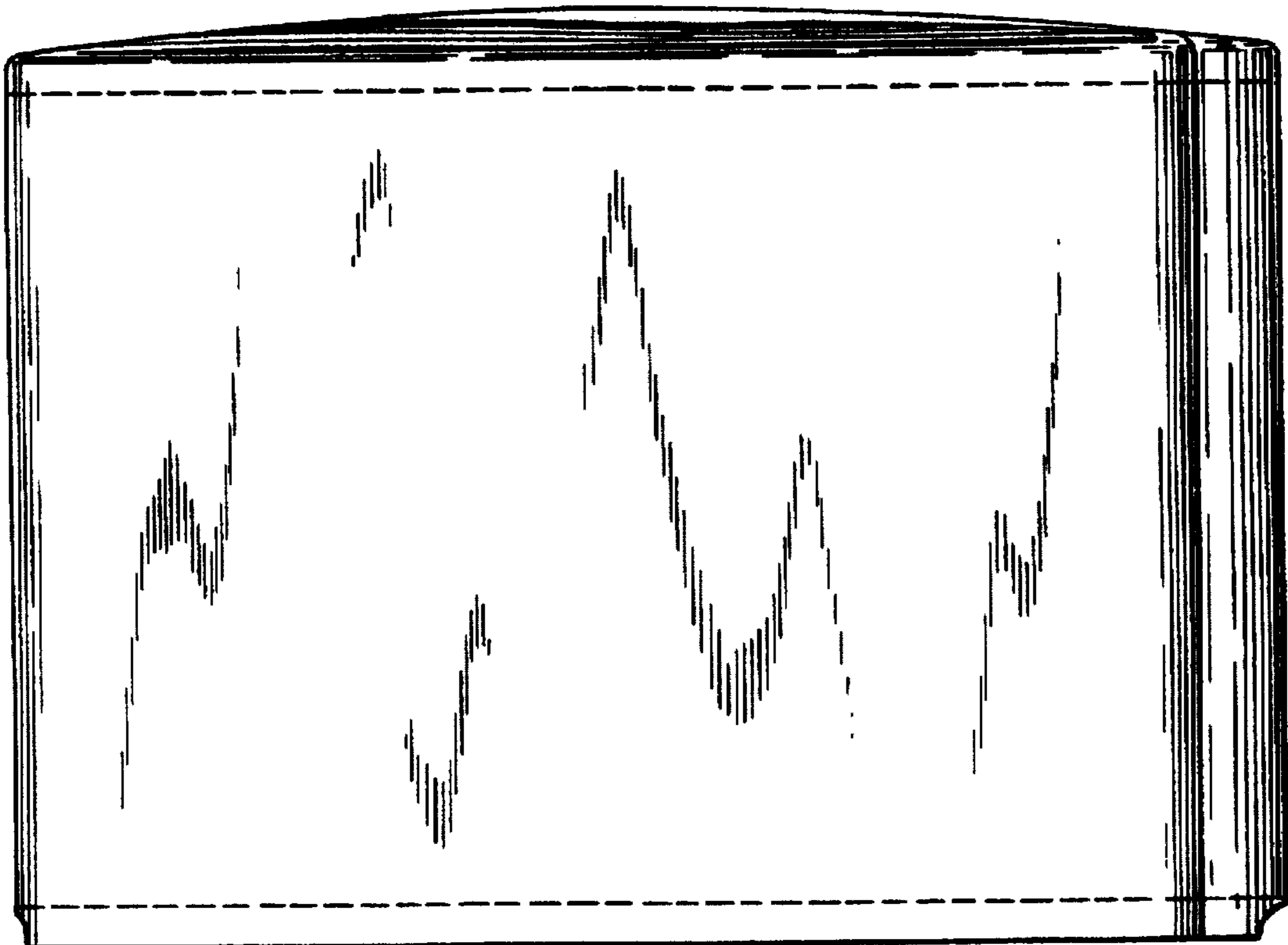
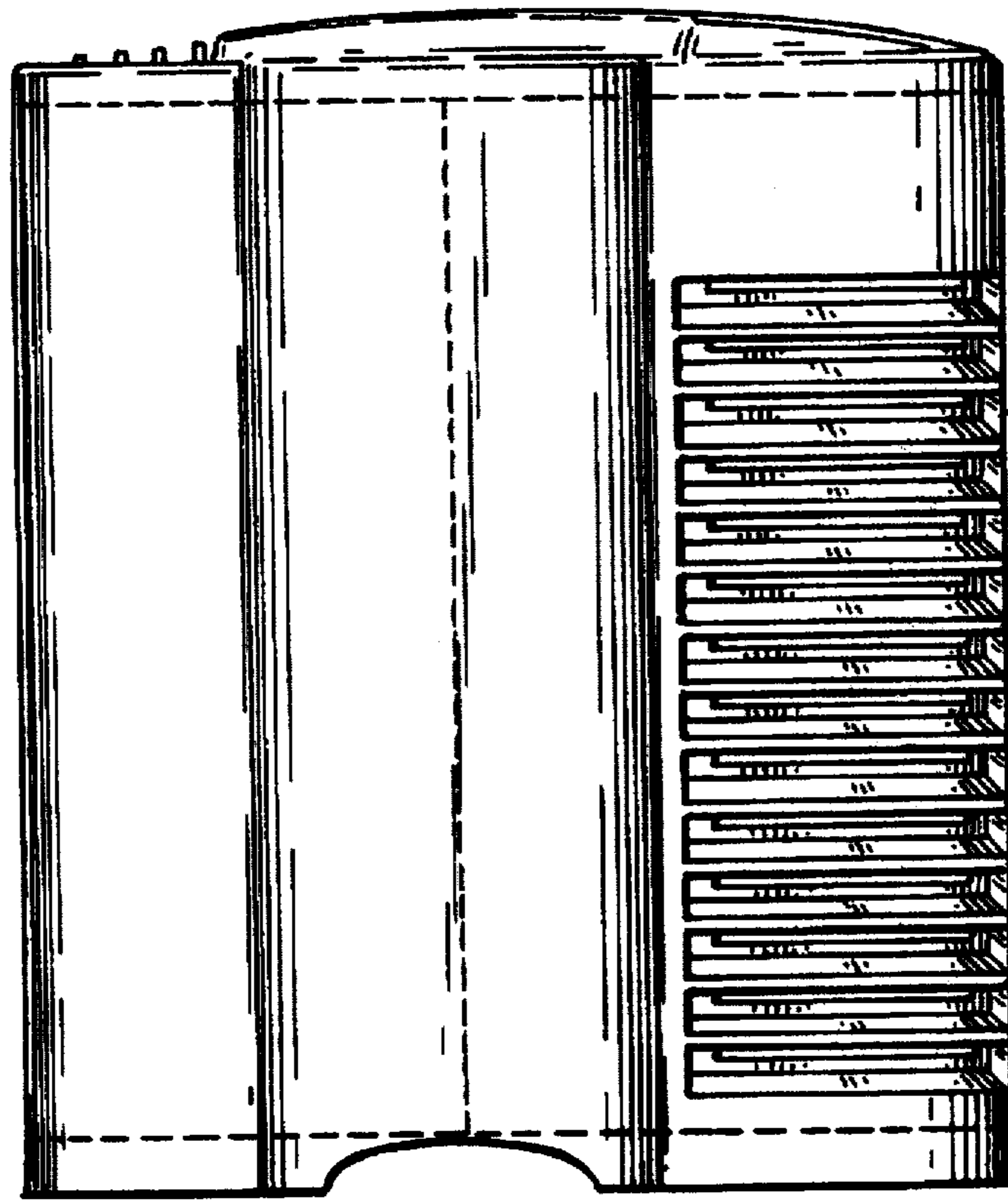


Fig. 6