

US00D392730S

United States Patent [19]

Kozora

[11] Patent Number: Des. 392,730

[45] Date of Patent: **Mar. 24, 1998

[54] PNEUMATIC FLOW CONTROL HOUSING

[76] Inventor: Joseph Walter Kozora, 126 Whitaker La., Saxonburg, Pa. 16056

[**] Term: 14 Years

[21] Appl. No.: 69,479

[22] Filed: Apr. 18, 1997

[51] LOC (6) Cl. 23-04

[52] U.S. Cl. D23/355

[58] Field of Search D23/355; 251/129.15; 137/625.65

[56] References Cited

U.S. PATENT DOCUMENTS

D. 380,042	6/1997	Yuda	D23/355
4,611,632	9/1986	Kolchinsky et al.	251/129.15
4,725,039	2/1988	Kolchinsky	251/129.15
5,174,336	12/1992	Casey et al.	251/129.15

Primary Examiner—Lisa Lichtenstein
Attorney, Agent, or Firm—Webb Ziesenheim Bruening
Logsdon Orkin & Hanson, P.C.

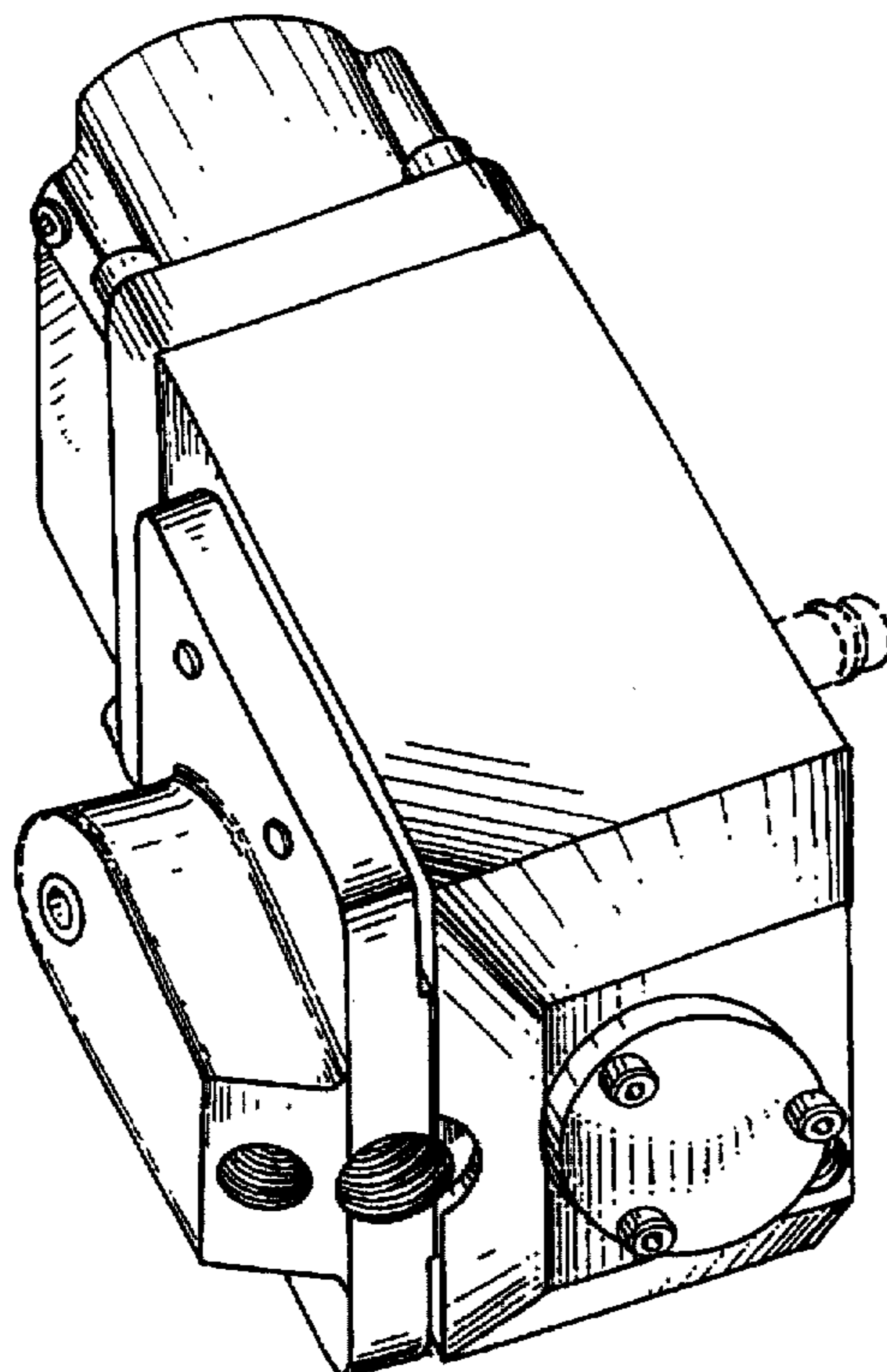
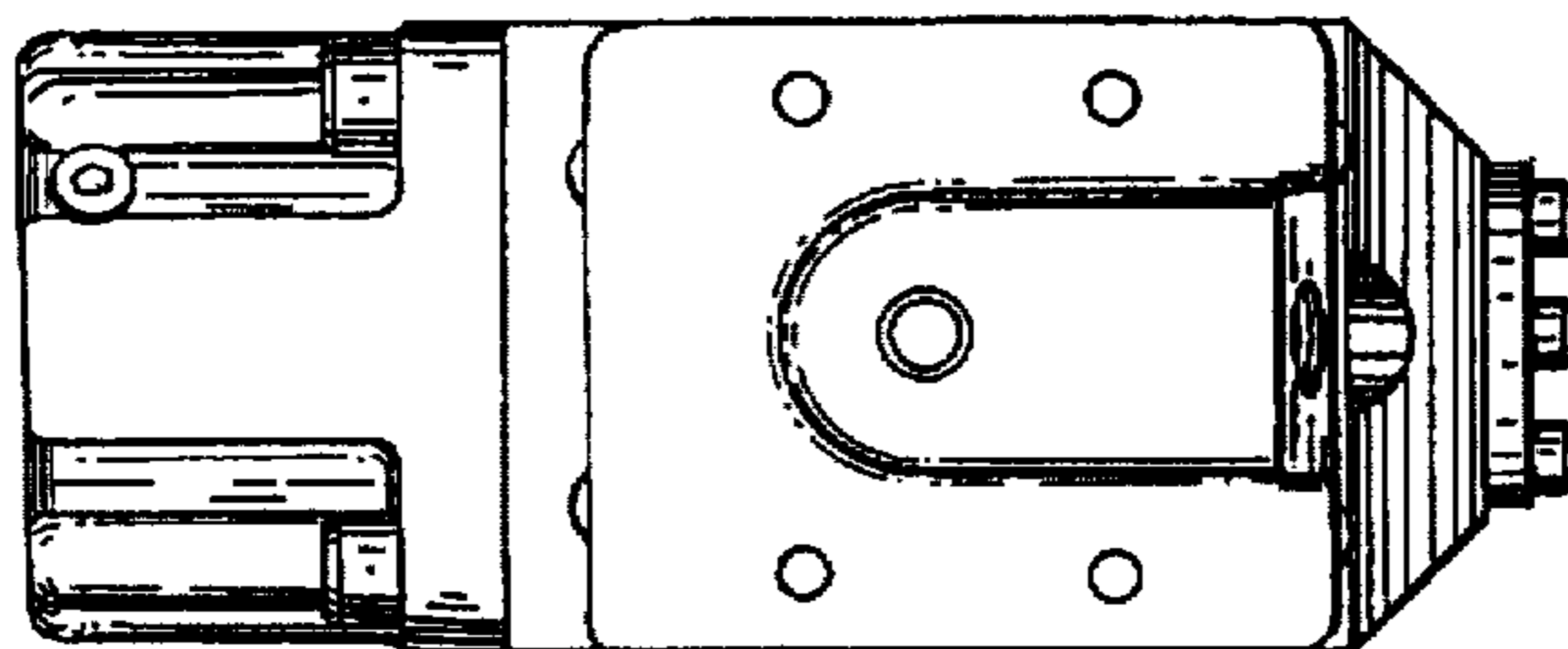
[57] CLAIM

The ornamental design for a pneumatic flow control housing, as shown and described.

DESCRIPTION

FIG. 1 is a side elevational view of the housing showing my new design;
 FIG. 2 is a side elevational view of the housing illustrating the side opposite that shown in FIG. 1;
 FIG. 3 is a front elevational view of the housing first shown in FIG. 1;
 FIG. 4 is a rear elevational view of the housing first shown in FIG. 1;
 FIG. 5 is a top plan view of the housing first shown in FIG. 1;
 FIG. 6 is a bottom plan view of the housing first shown in FIG. 1; and,
 FIG. 7 is a perspective view of the housing first shown in FIG. 1.
 The broken line showing of environmental structure in FIGS. 2-5 is for illustrative purposes only and forms no part of the claimed design.

1 Claim, 2 Drawing Sheets



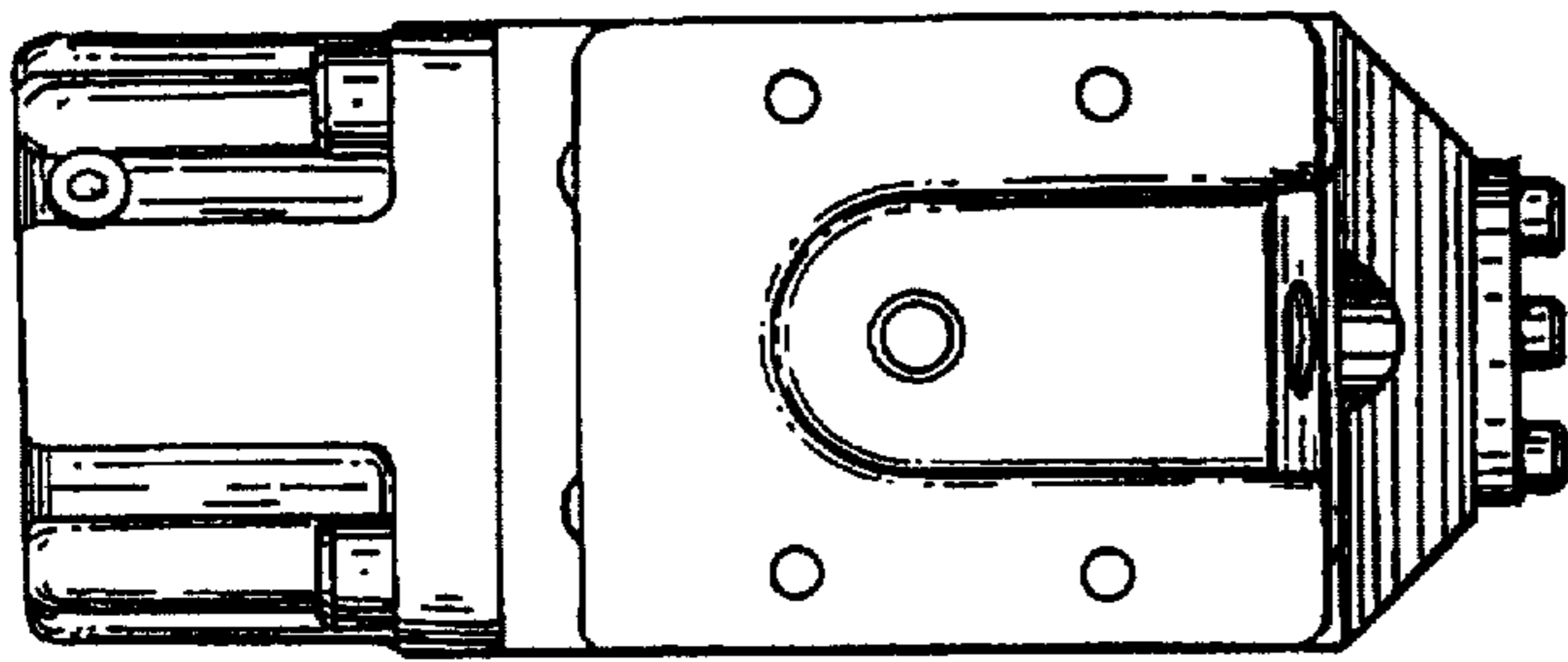


Fig. 1

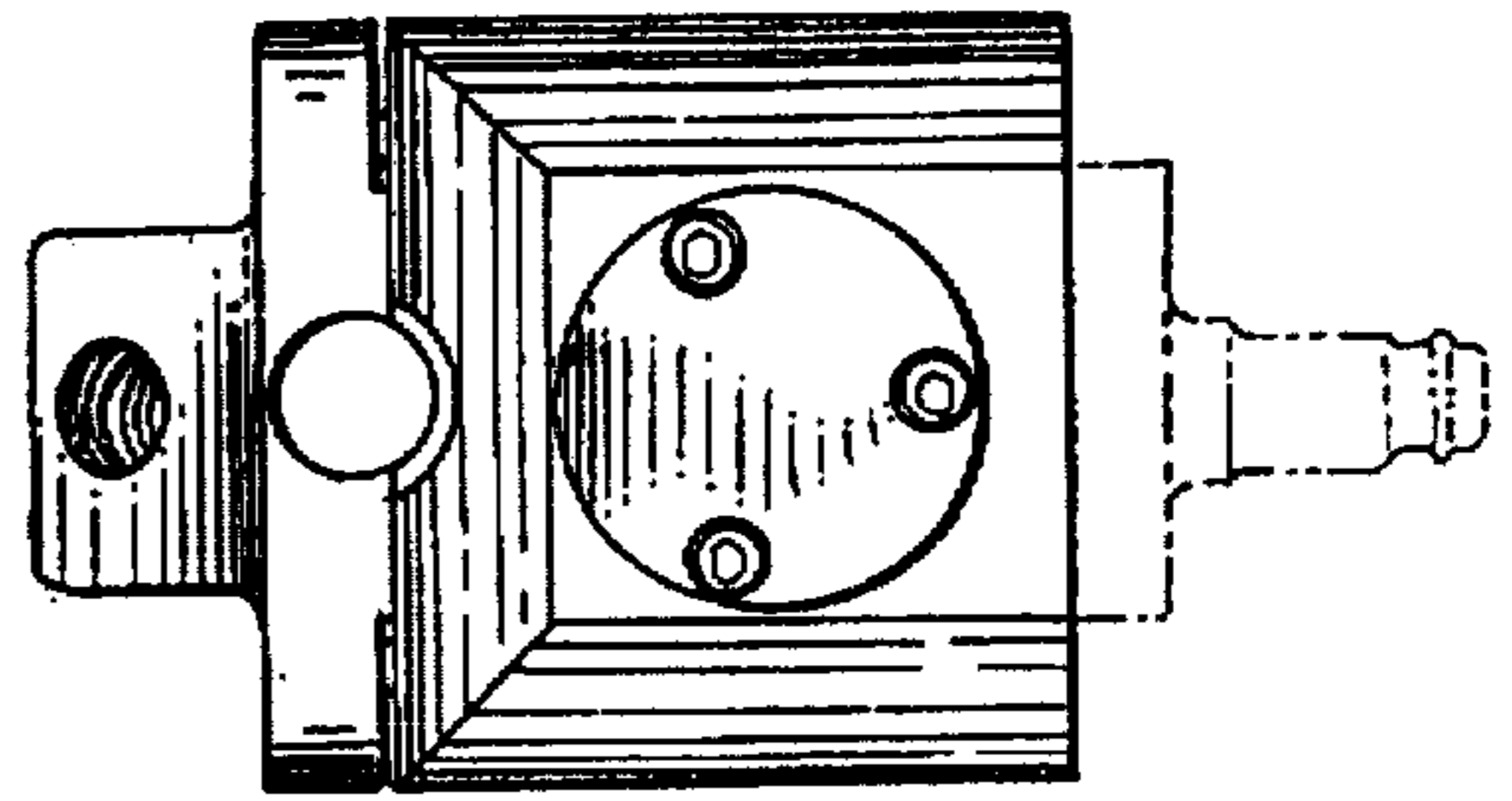


Fig. 3

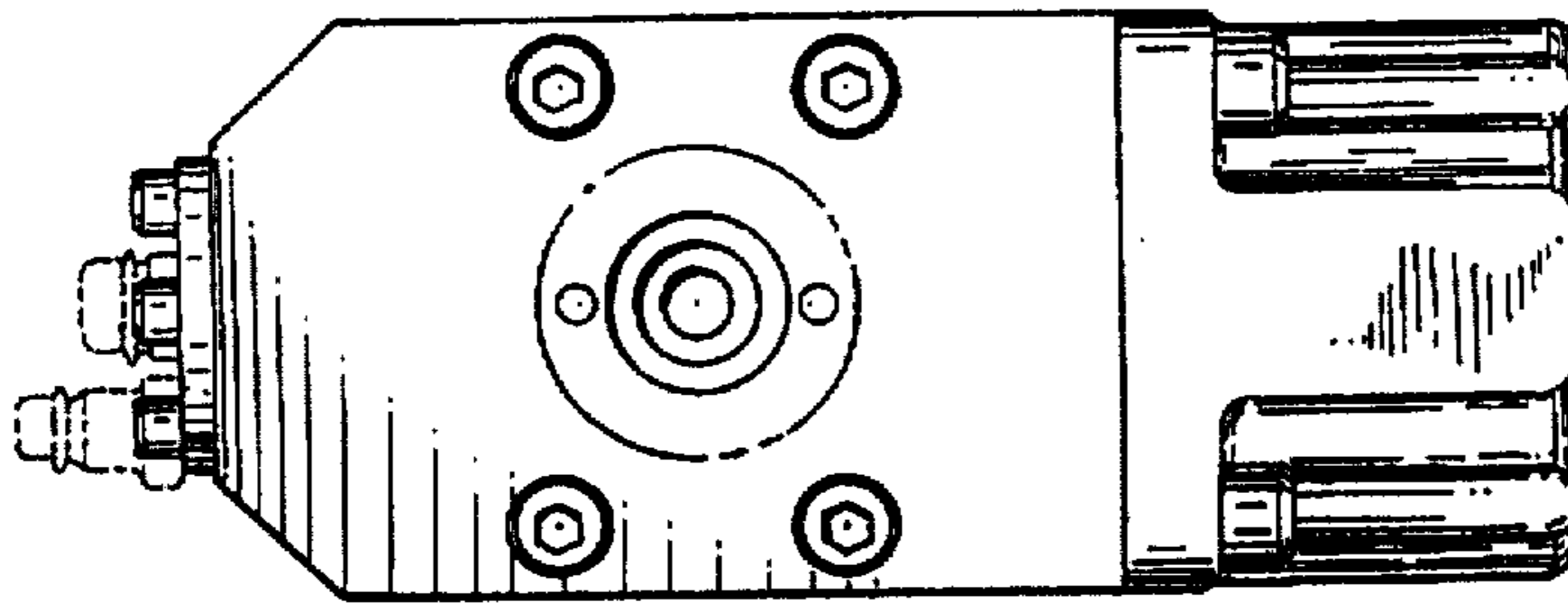


Fig. 2

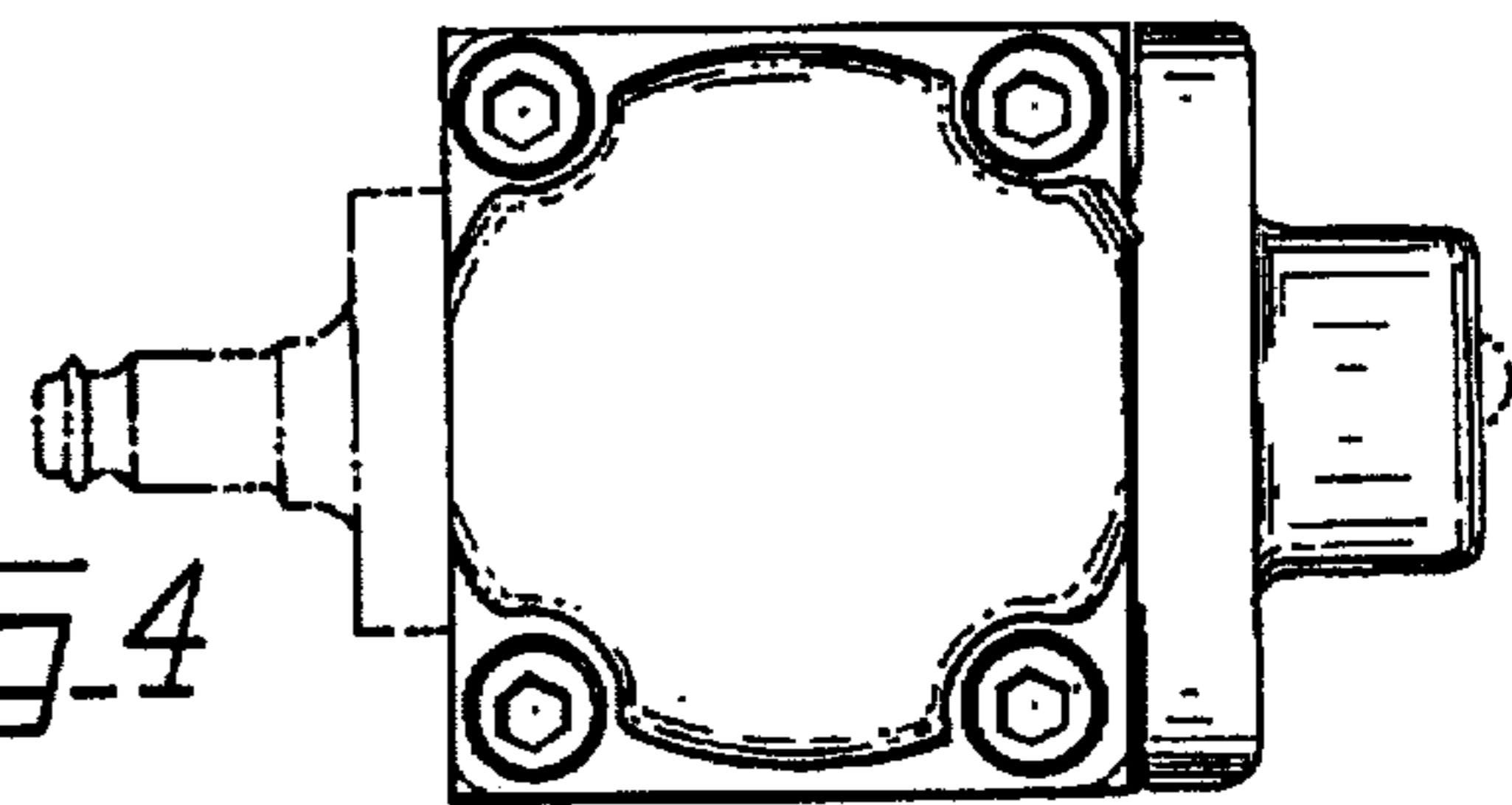
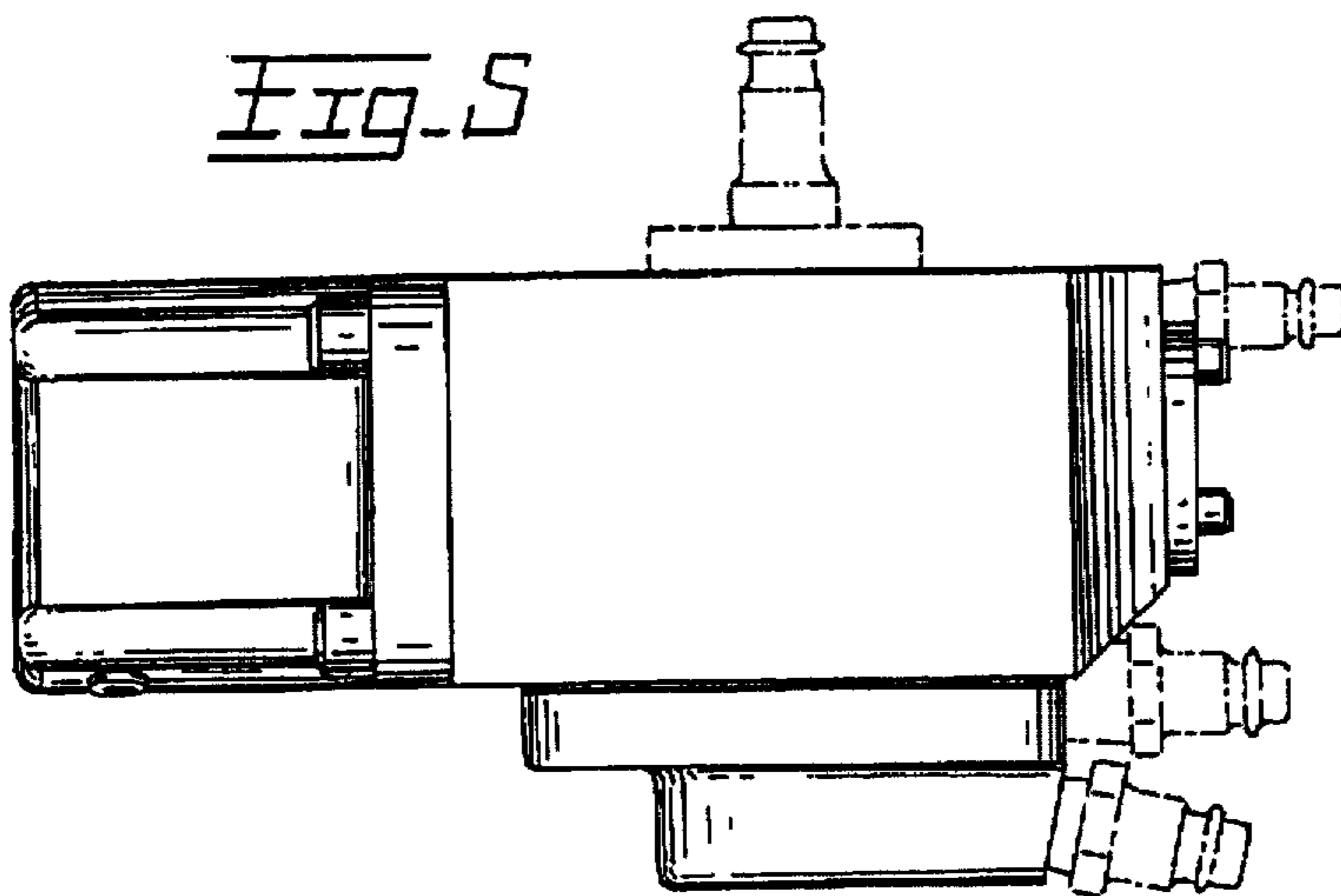


Fig. 4

Fig. 5



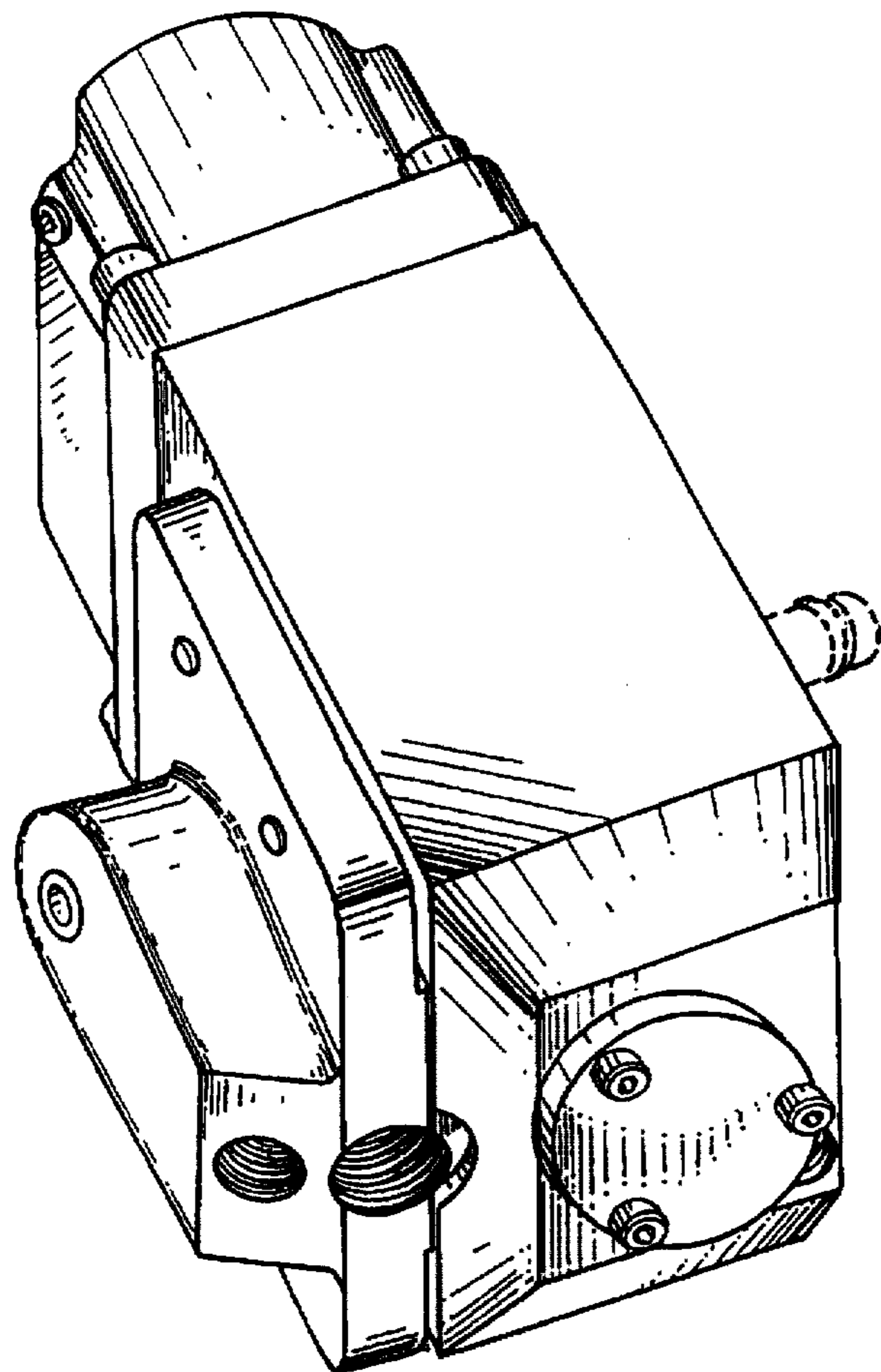


Fig. 7

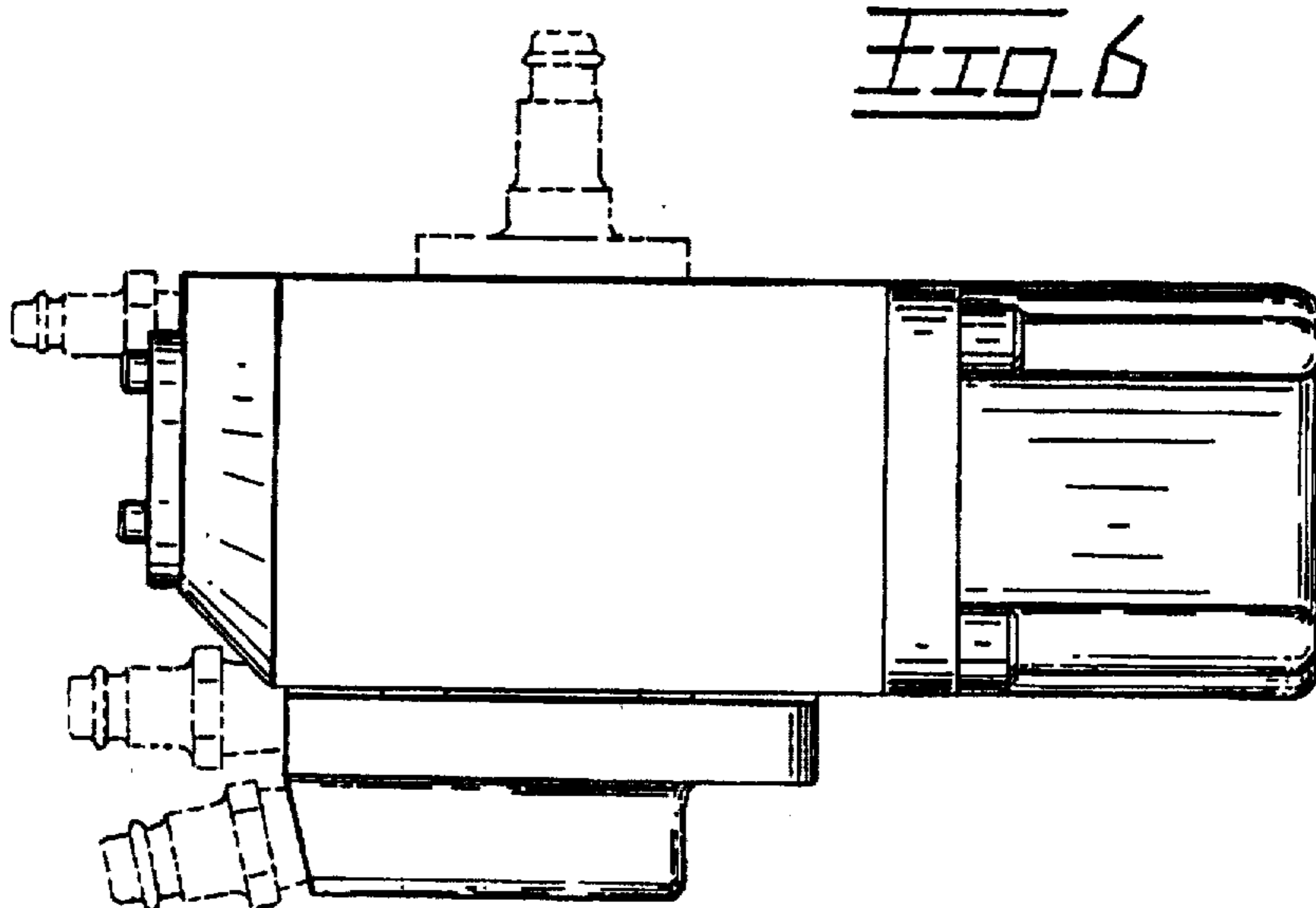


Fig. 6