



US00D392728S

**United States Patent** [19]  
**Chiu et al.**

[11] **Patent Number: Des. 392,728**

[45] **Date of Patent: \*\*Mar. 24, 1998**

[54] **HEATER**

[75] **Inventors: Bernard Chiu, Wellesley, Mass.;  
Jui-Shang Wang, Taipei, Taiwan;  
Stanley Gresens, Homewood, Ill.**

[73] **Assignee: Honeywell Consumer Products, Inc.,  
Southborough, Mass.**

[\*\*] **Term: 14 Years**

[21] **Appl. No.: 28,786**

[22] **Filed: Sep. 22, 1995**

[51] **LOC (6) Cl. .... 23-03**

[52] **U.S. Cl. .... D23/328; D23/335; D23/337**

[58] **Field of Search .... D23/335, 332,  
D23/337, 370, 381, 328; 392/365-369,  
373, 374**

D. 346,208	4/1994	Smith .	
D. 346,855	5/1994	Chiu .	
D. 347,683	6/1994	Chiu .	
D. 350,191	8/1994	Tsuji .	
D. 361,832	8/1995	Cunning .....	D23/337
4,928,204	5/1990	Wang .	
5,110,263	5/1992	Chiu .	
5,131,810	7/1992	Wang .	
5,304,040	4/1994	Wang .	

**OTHER PUBLICATIONS**

Tatung Fan Cat., p. 5, FanHeater EH7500T, right middle side of page.

*Primary Examiner*—Lisa Lichtenstein  
*Attorney, Agent, or Firm*—Morgan and Finnegan

[57] **CLAIM**

The ornamental design for a heater, as shown.

**DESCRIPTION**

FIG. 1 is a front view of the design for a heater in accordance with the present invention;

FIG. 2 is a view of one side thereof;

FIG. 3 is a view of another side thereof;

FIG. 4 is a rear view thereof;

FIG. 5 is a top view thereof; and,

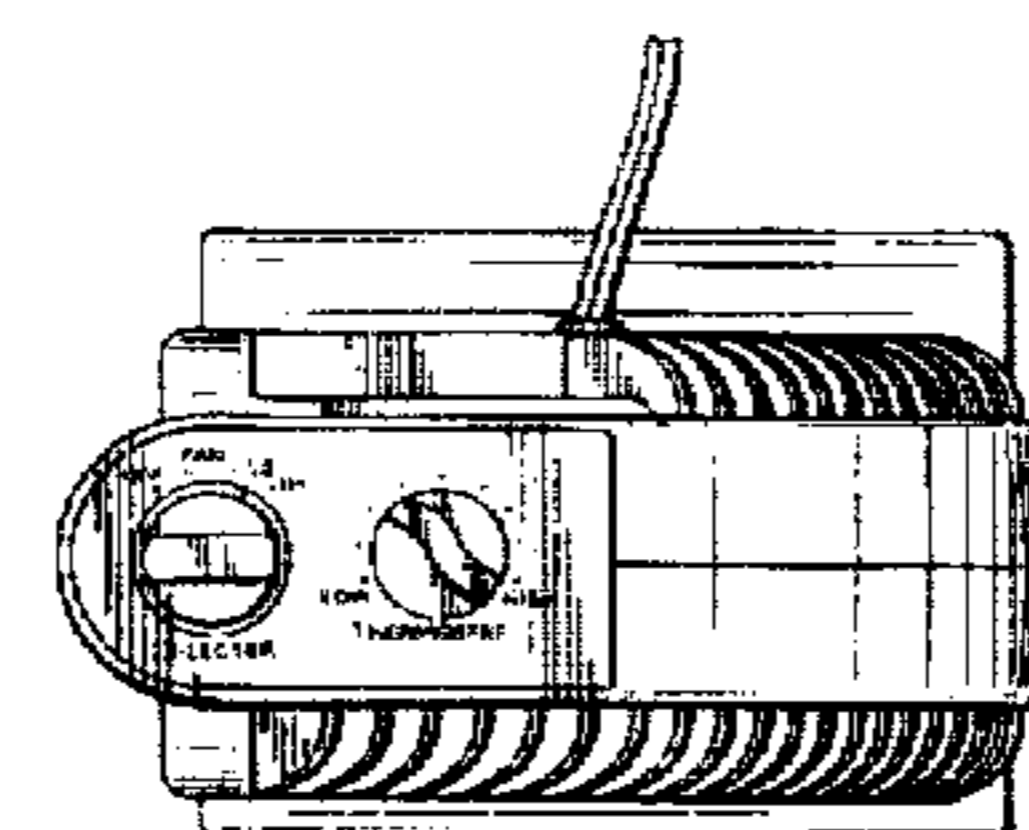
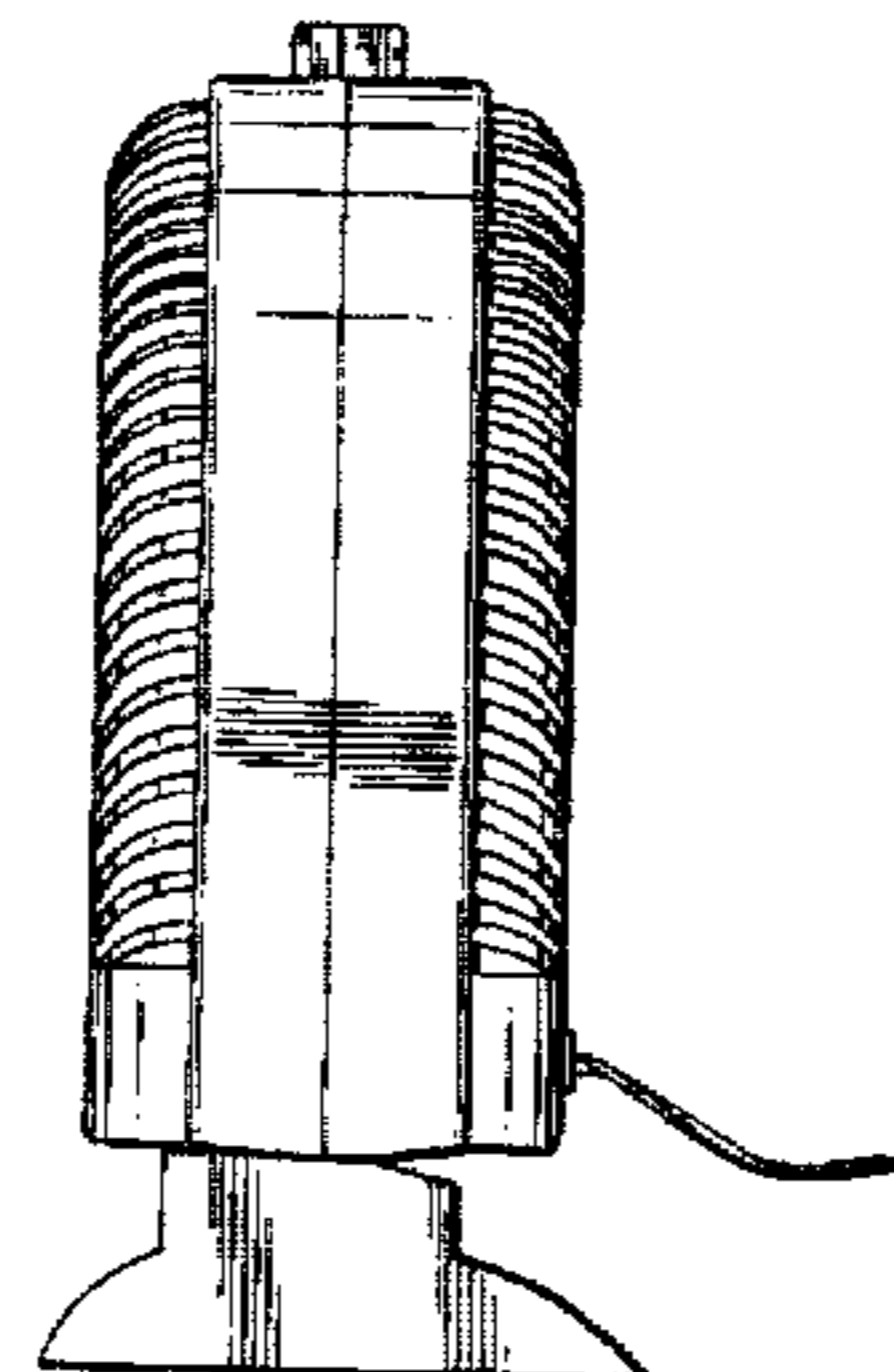
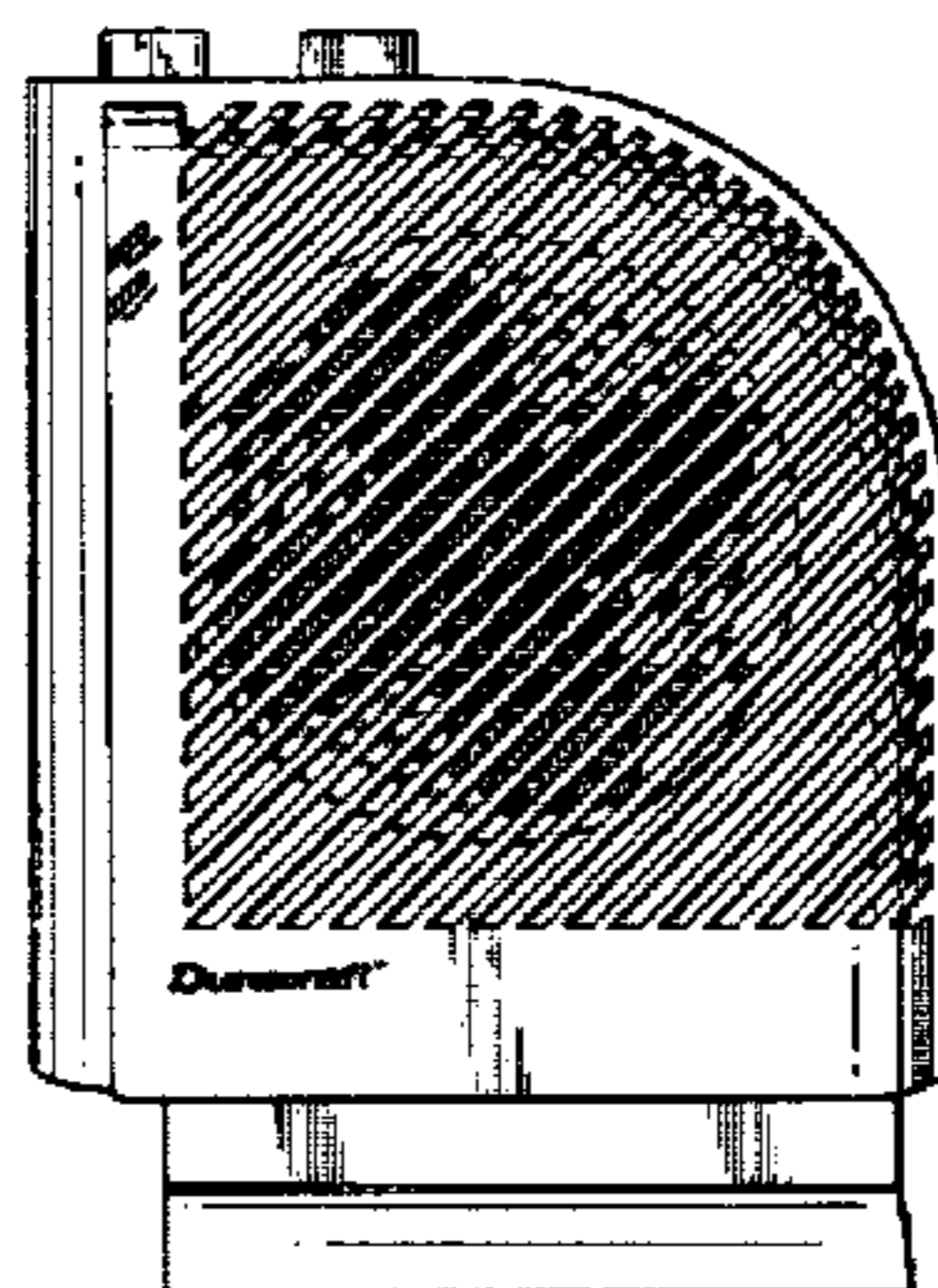
FIG. 6 is a bottom view thereof.

[56] **References Cited**

**U.S. PATENT DOCUMENTS**

D. 300,353	3/1989	Yurkovic .....	D23/332
D. 300,847	4/1989	Lin .....	D23/335
D. 318,723	7/1991	Chiu .	
D. 323,382	1/1992	Wang .	
D. 323,708	2/1992	Wang .	
D. 333,866	3/1993	Wang .	
D. 340,765	10/1993	Joss et al. .	

**1 Claim, 3 Drawing Sheets**



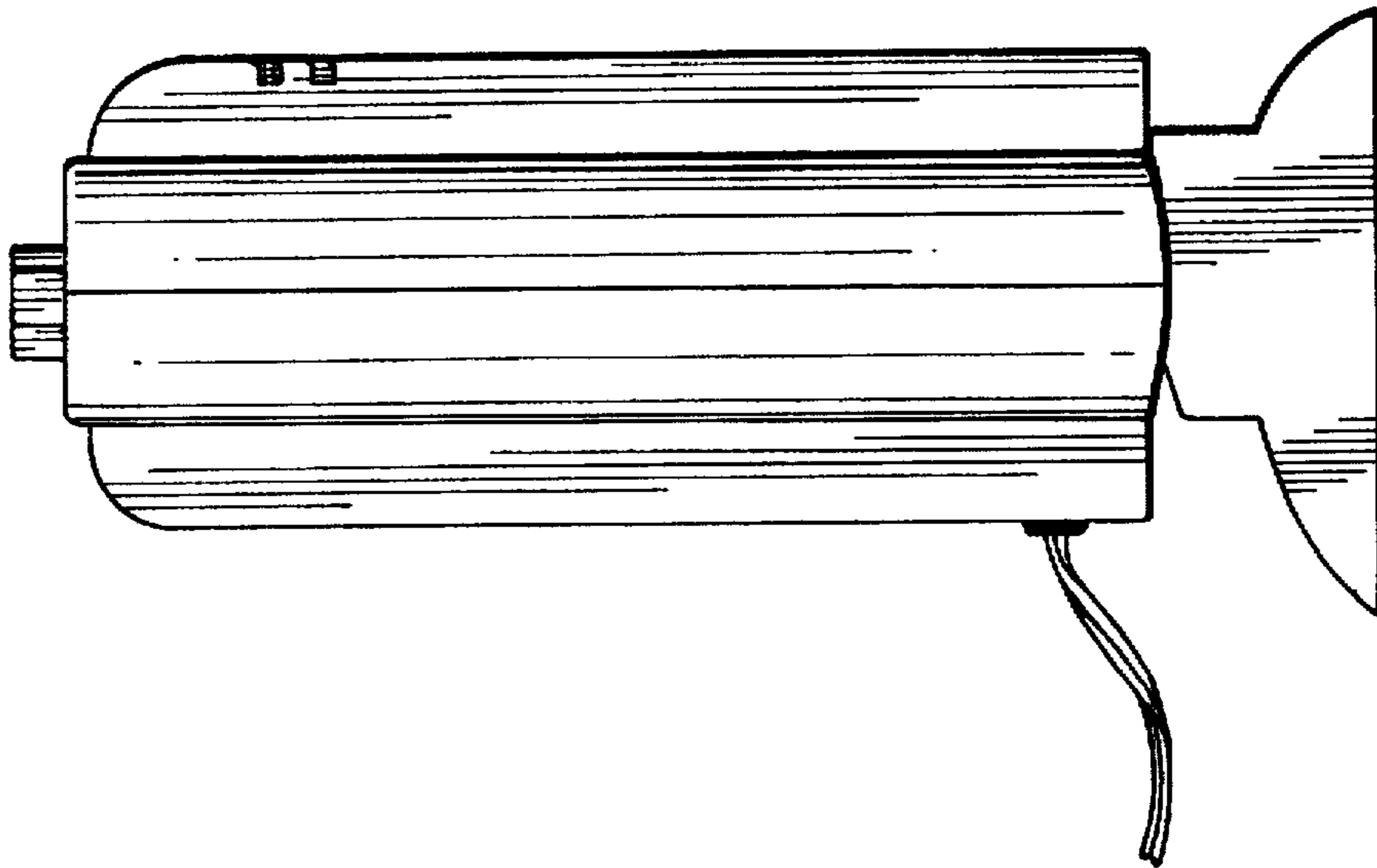


FIG. 2

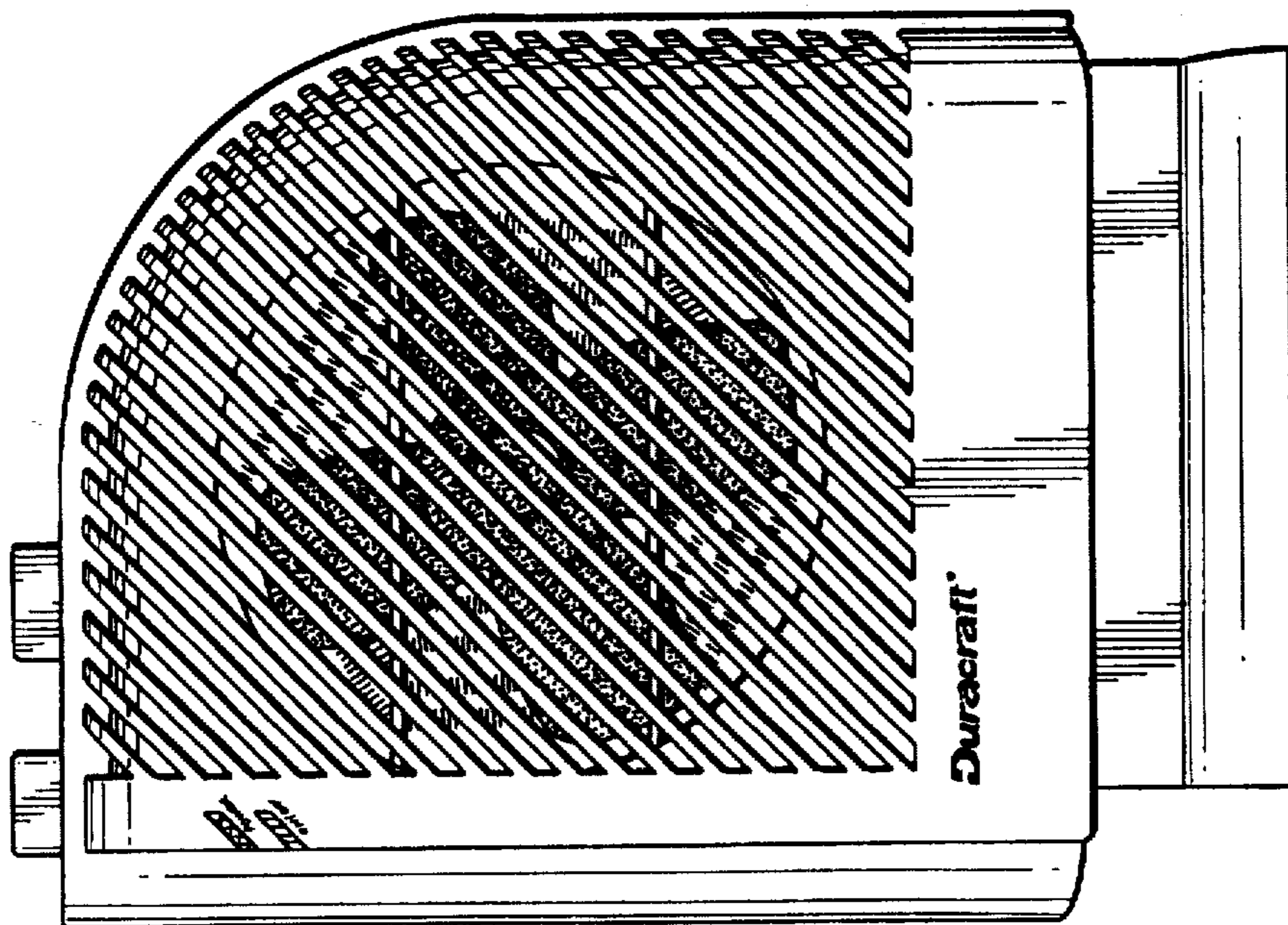


FIG. 1

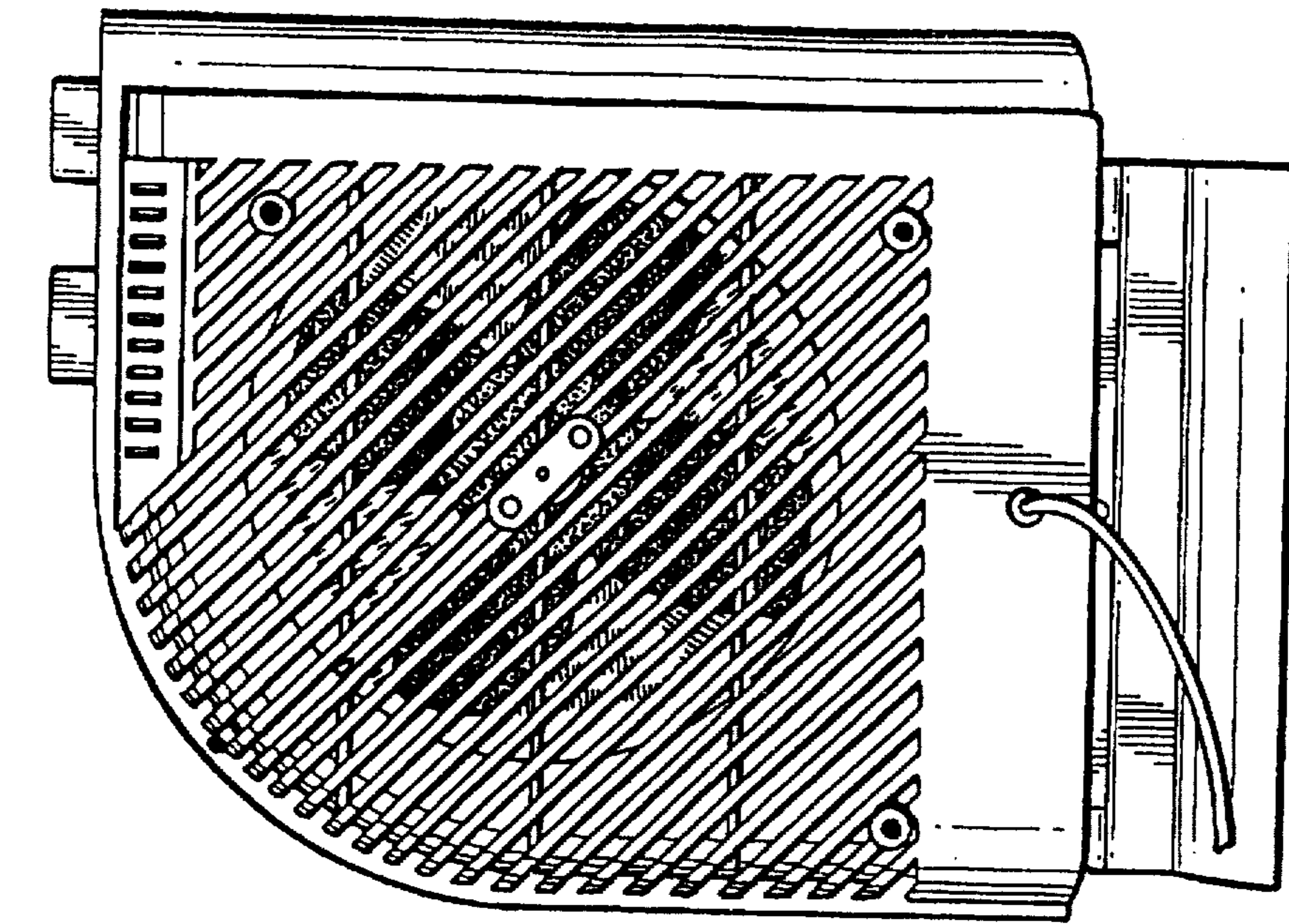


FIG. 3

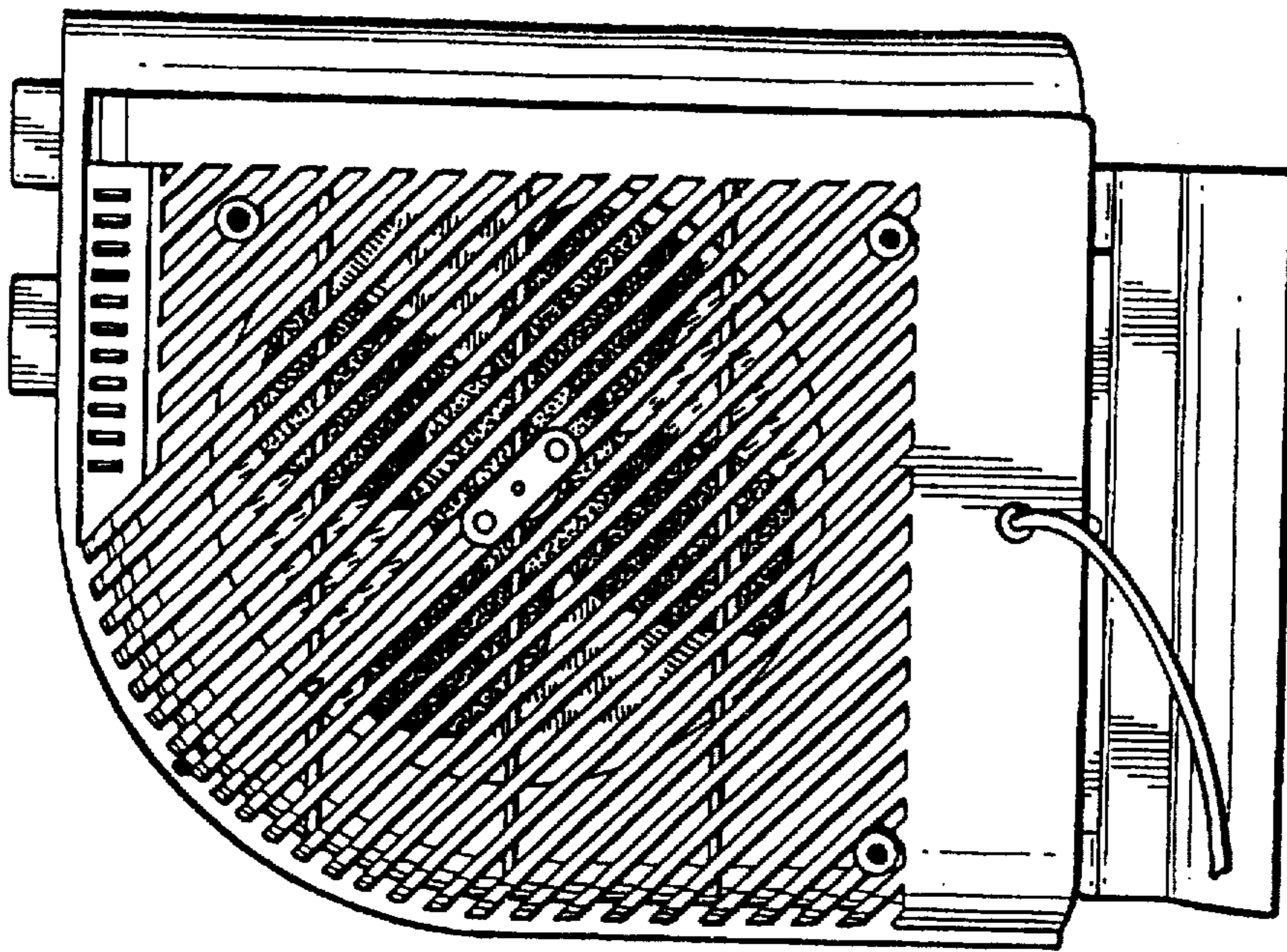


FIG. 4

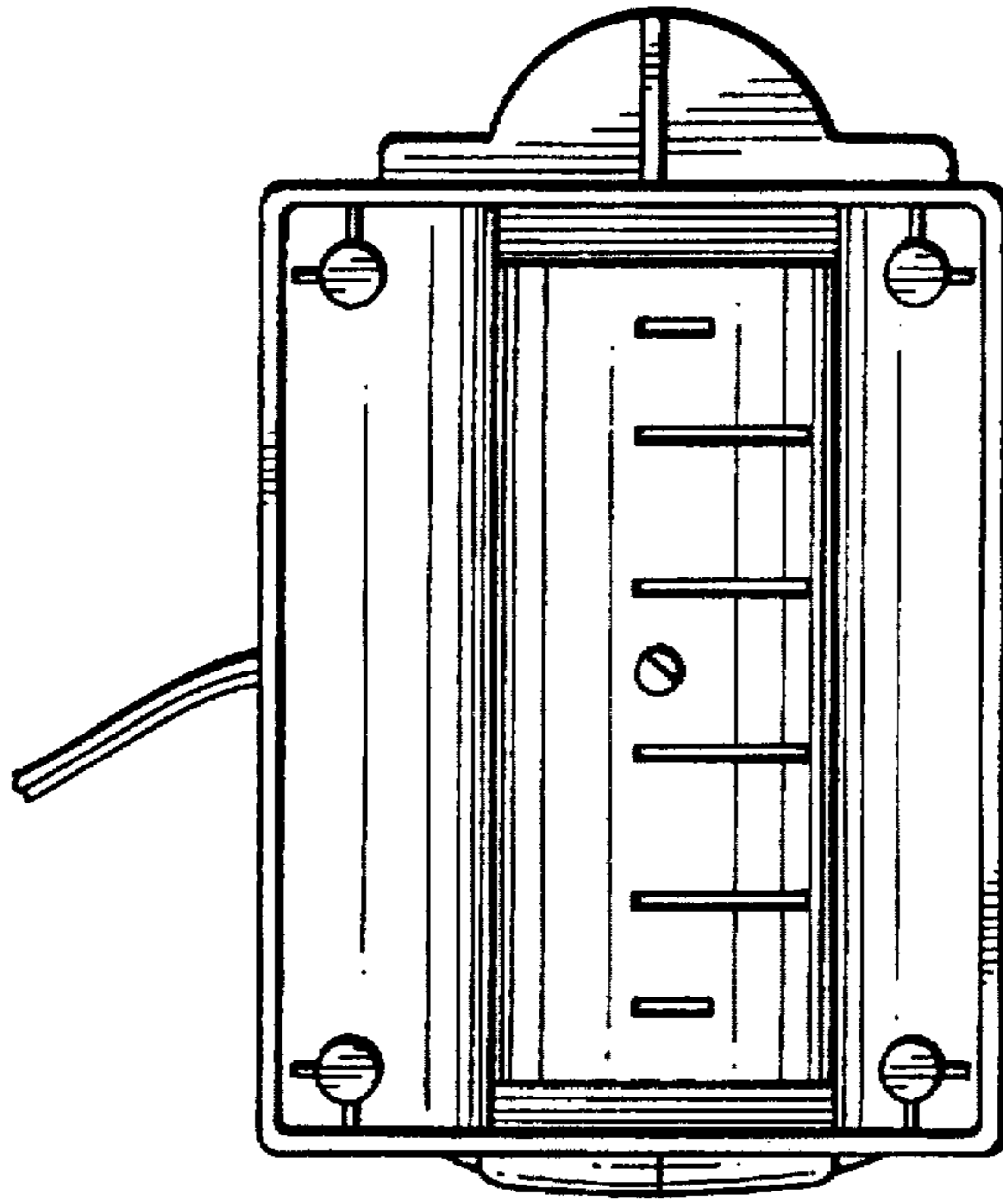


FIG. 6

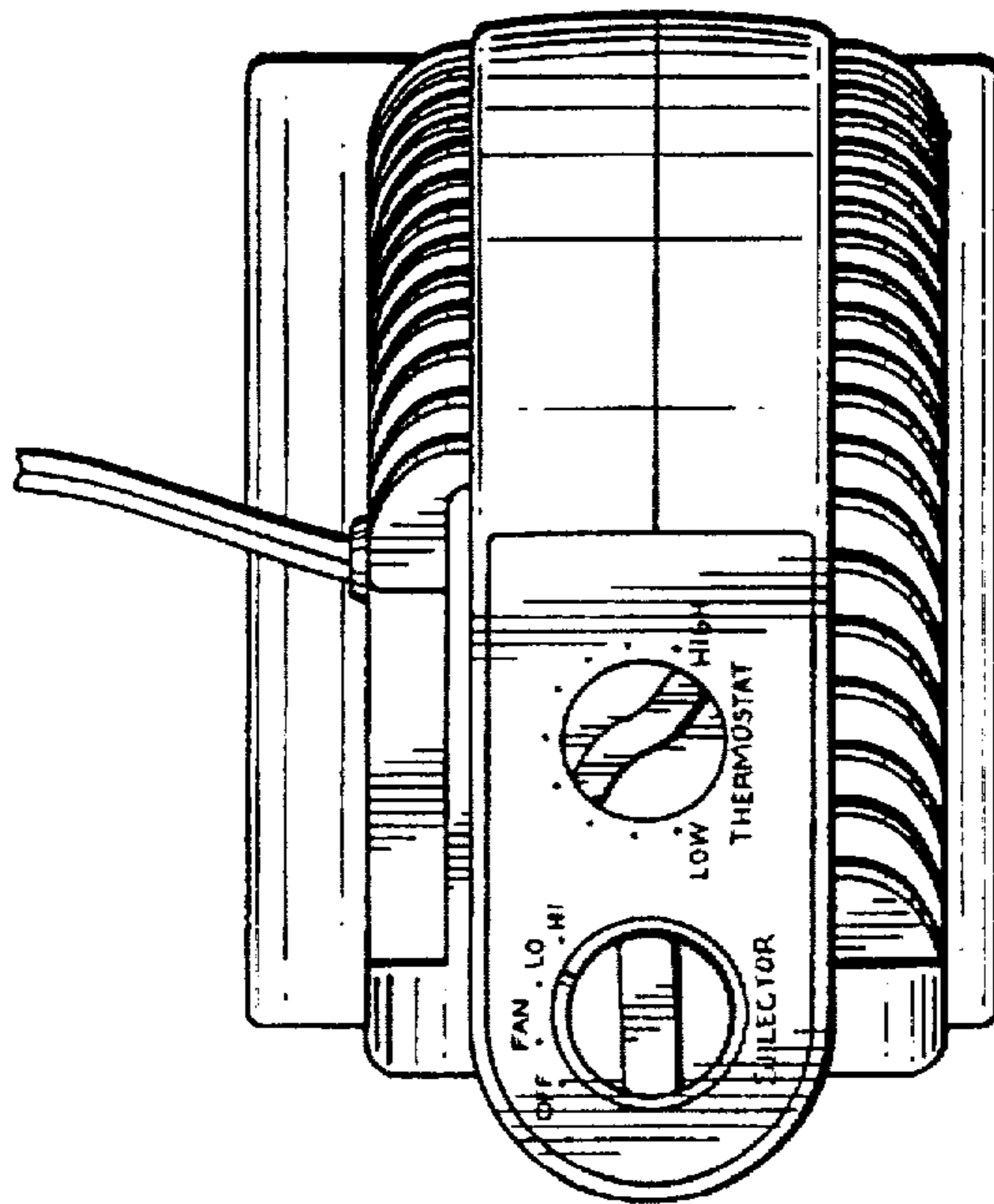


FIG. 5