



US00D392726S

United States Patent [19]

Garza

[11] Patent Number: **Des. 392,726**

[45] Date of Patent: ****Mar. 24, 1998**

[54] **TOILET**

[76] Inventor: **Marcelo Garza Laguera Garza,**
Acambaro No. 459, Col. CD. Industrial,
36541, Irapuato, Guanajuato, Mexico

[**] Term: **14 Years**

[21] Appl. No.: **70,108**

[22] Filed: **Apr. 30, 1997**

[30] **Foreign Application Priority Data**

Oct. 31, 1996 [MX] Mexico 961104

[51] LOC (6) Cl. **23-02**

[52] U.S. Cl. **D23/295**

[58] Field of Search D23/295, 298,
D23/299, 300, 301; 4/300, 353, 421, 424,
428, 430, 664, DIG. 2

[56] **References Cited**

U.S. PATENT DOCUMENTS

D. 271,328 11/1983 Doman et al. D23/301
D. 323,551 1/1992 Rat D23/301

D. 381,408 7/1997 Birsel et al. D23/301
5,625,905 5/1997 Woods 4/300.3

Primary Examiner—Louis S. Zarfaz
Assistant Examiner—Eric Watterson
Attorney, Agent, or Firm—Pravel, Hewitt, Kimball &
Krieger

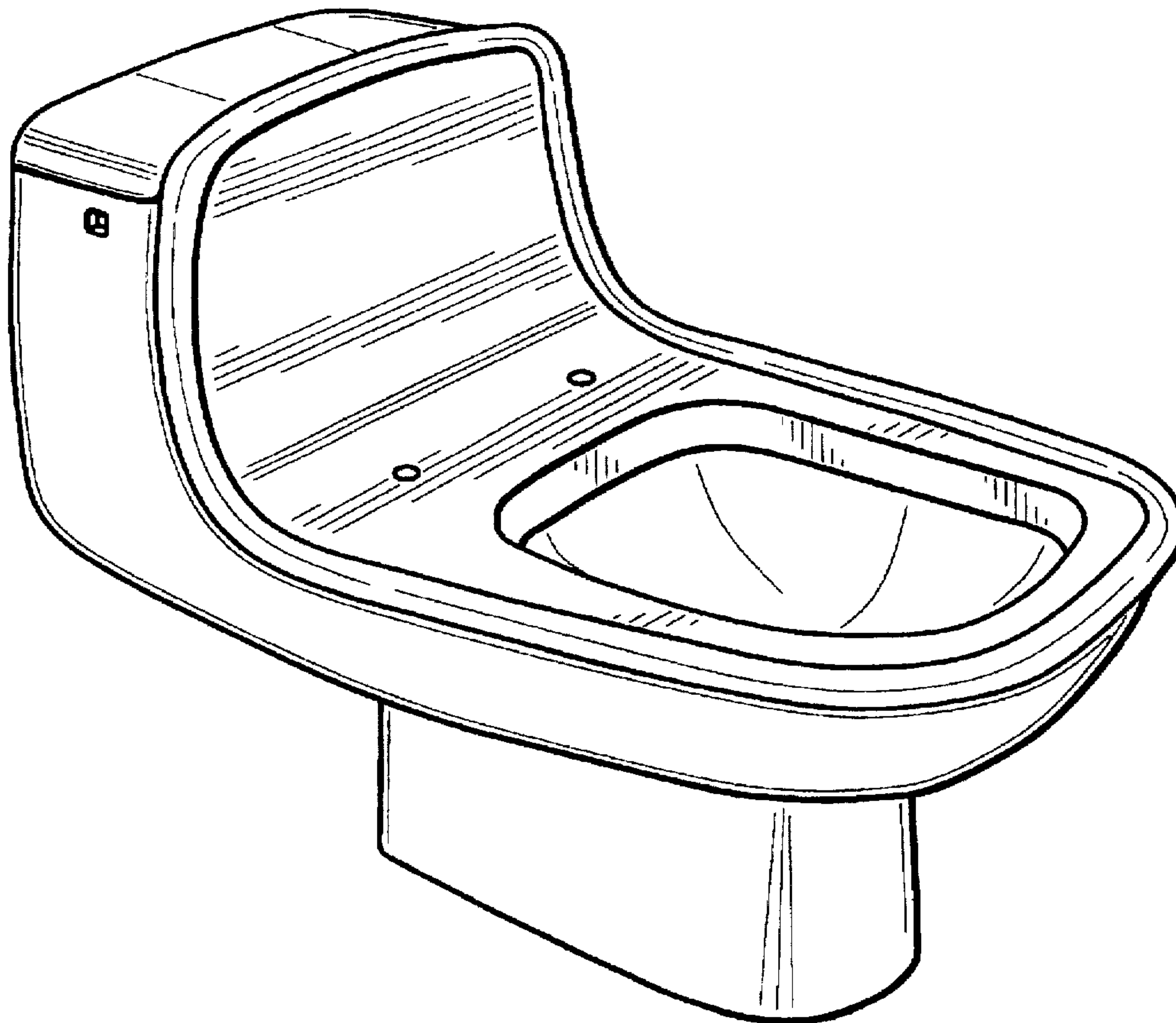
[57] **CLAIM**

The ornamental design for a toilet, as shown.

DESCRIPTION

FIG. 1 is an isometric view showing the ornamental design for a toilet according to the present invention;
FIG. 2 is a front elevation view of the toilet of FIG. 1;
FIG. 3 is a top plan view of the toilet of FIG. 1;
FIG. 4 is a left side elevation view of the toilet of FIG. 1; and,
FIG. 5 is a right side elevation view of the toilet of FIG. 1. The bottom view of the toilet of FIG. 1 is plain and unornamented.
The rear elevation view of the toilet of FIG. 1 is plain and unornamented.

1 Claim, 2 Drawing Sheets



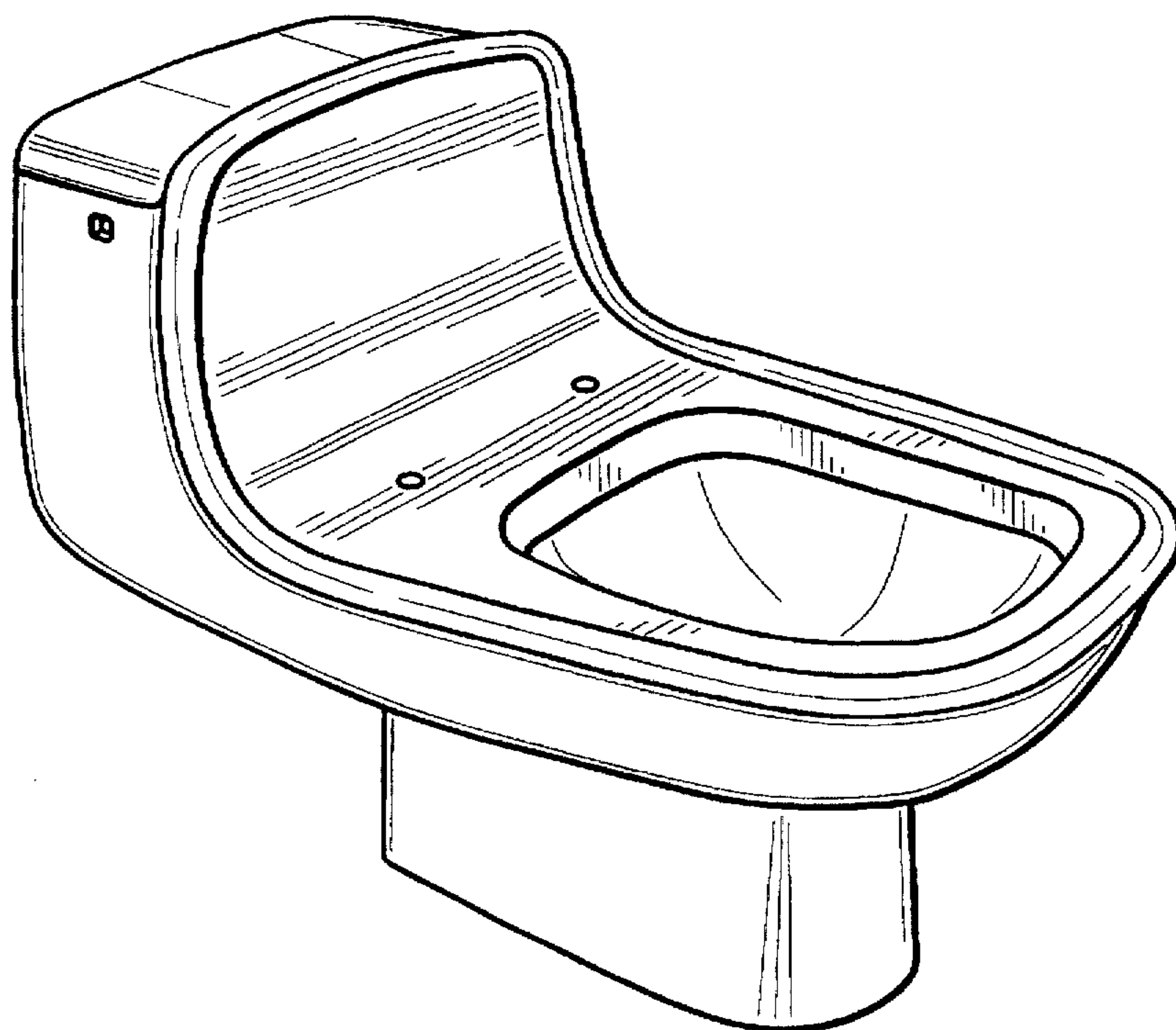


FIG. 1

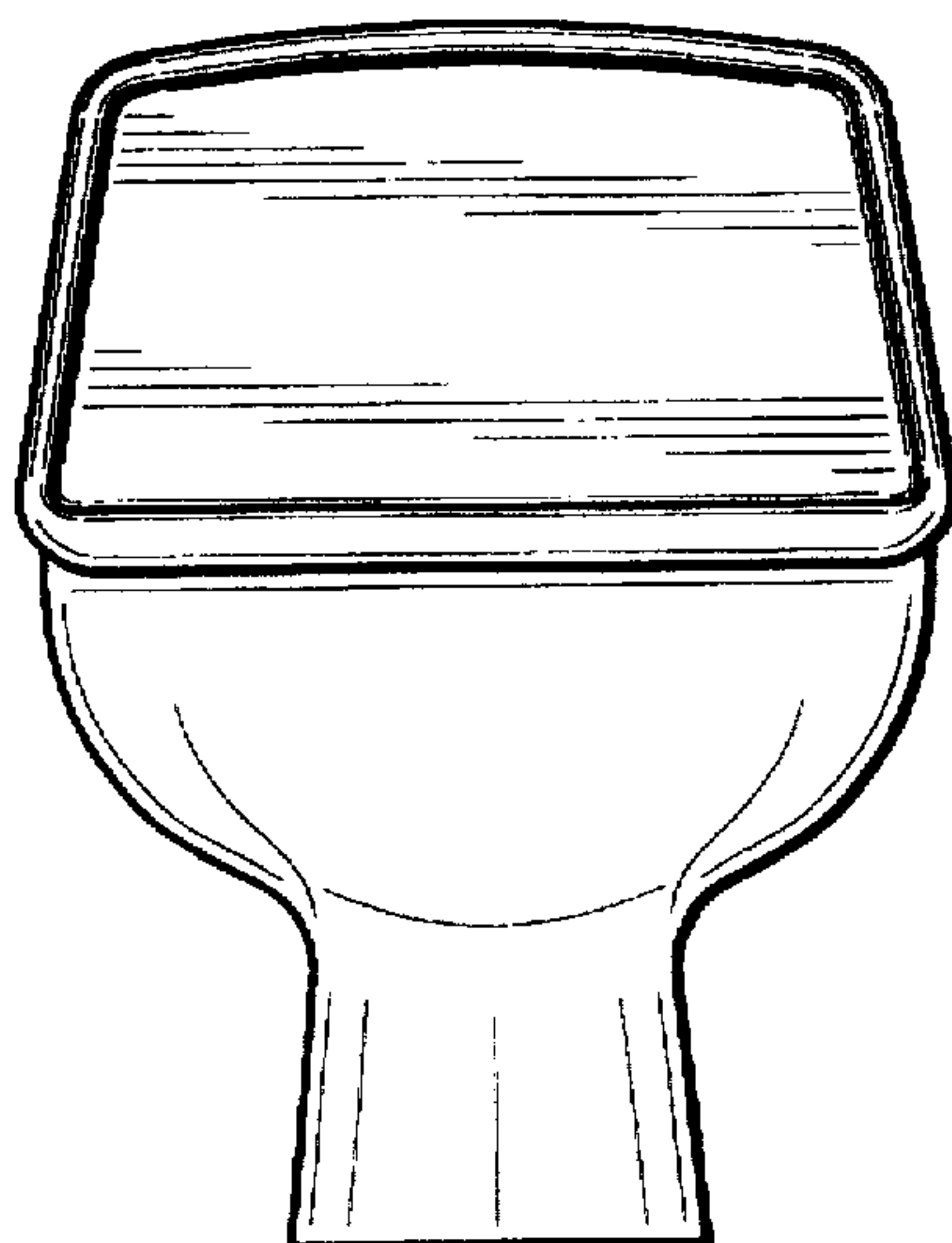


FIG. 2

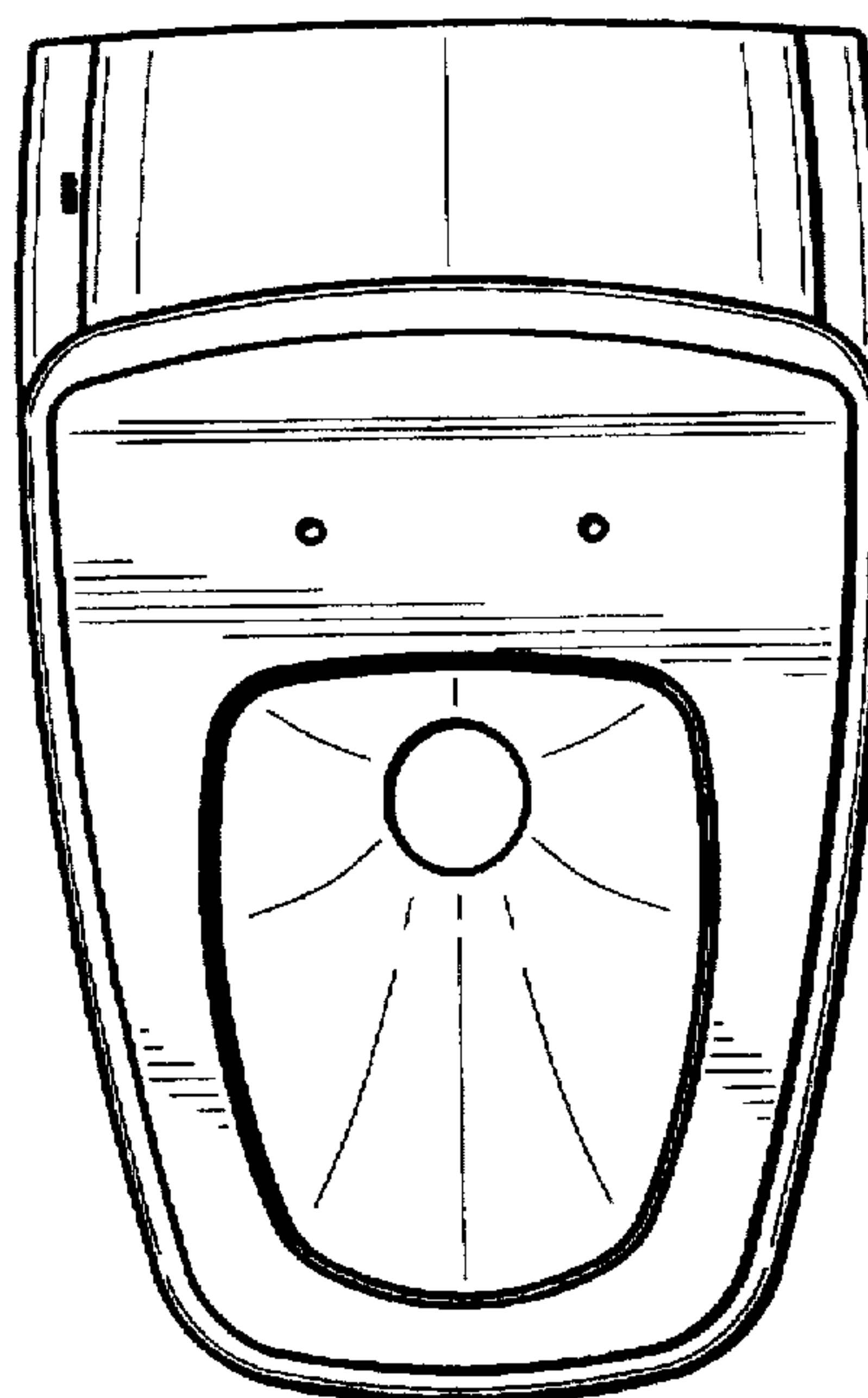


FIG. 3

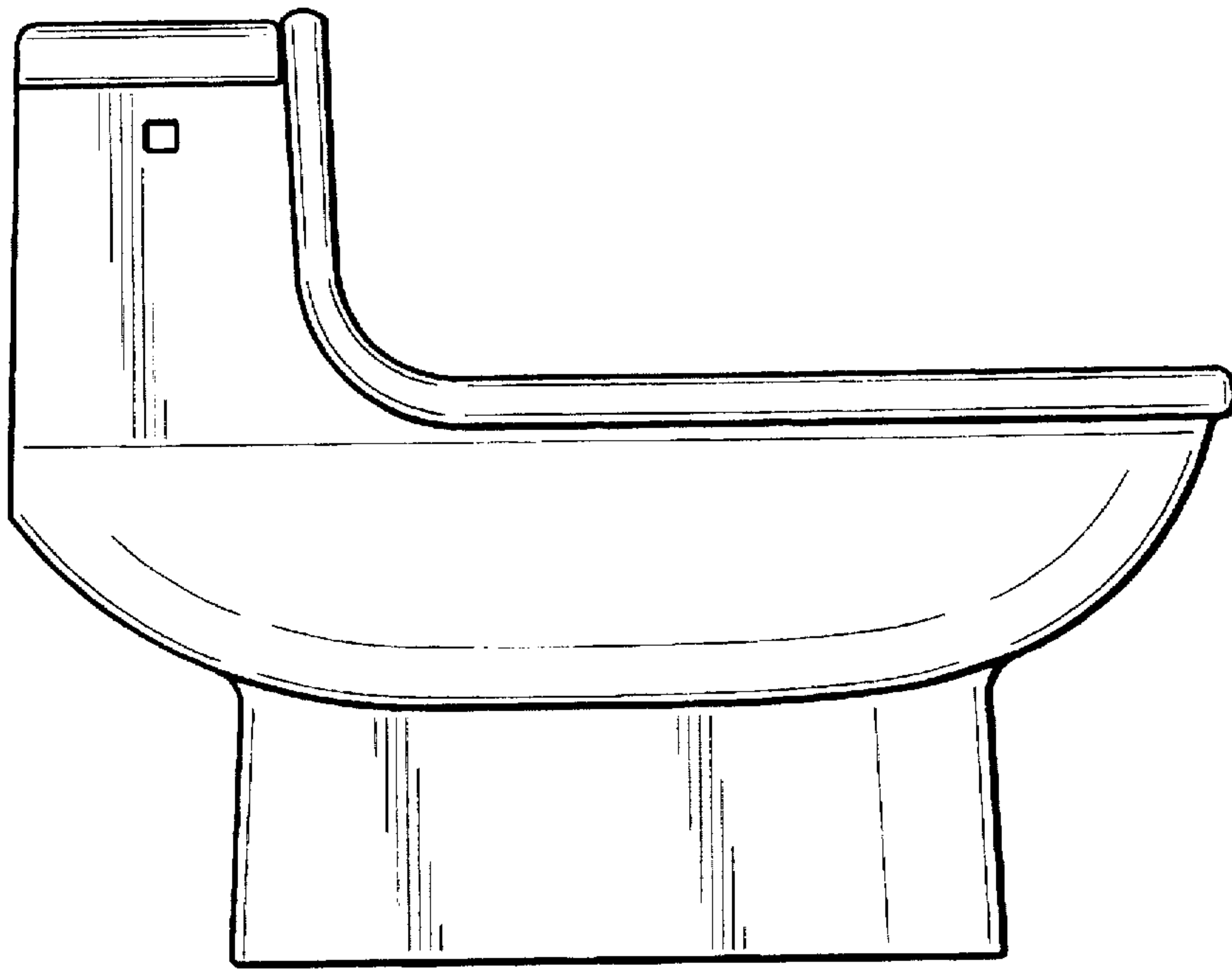


FIG. 4

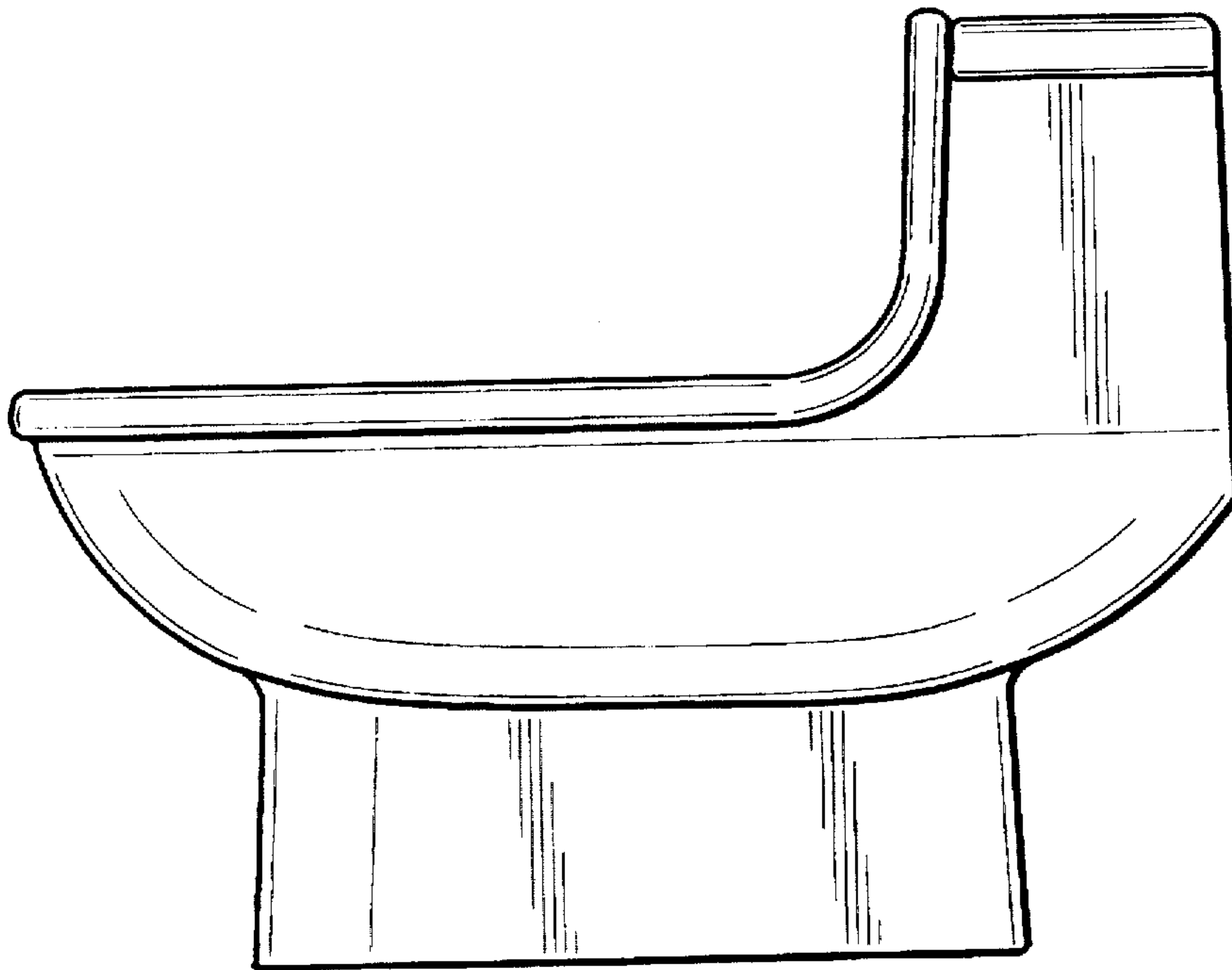


FIG. 5