



US00D392725S

United States Patent [19]
Garza

[11] **Patent Number: Des. 392,725**
[45] **Date of Patent: **Mar. 24, 1998**

[54] **TOILET**

[76] **Inventor: Marcelo Garza Laguera Garza,**
Acambaro No. 459 Col. CD. Industrial.,
36541 Irapuato, Guanajuato, Mexico

[**] **Term: 14 Years**

[21] **Appl. No.: 70,107**

[22] **Filed: Apr. 30, 1997**

[30] **Foreign Application Priority Data**

Oct. 31, 1996 [MX] Mexico 961103

[51] **LOC (6) Cl. 23-02**

[52] **U.S. Cl. D23/295**

[58] **Field of Search D23/295, 298,**
D23/299, 300, 301; 4/353, 300, 421, 424,
428, 430, 664, DIG. 2

[56] **References Cited**

U.S. PATENT DOCUMENTS

D. 93,537 10/1934 Brotz et al. D23/301

D. 101,536 10/1936 Korstadt D23/301
D. 296,874 7/1988 Holscher D23/301

Primary Examiner—Louis S. Zarfes
Assistant Examiner—Eric Watterson
Attorney, Agent, or Firm—Pravel, Hewitt, Kimball &
Krieger

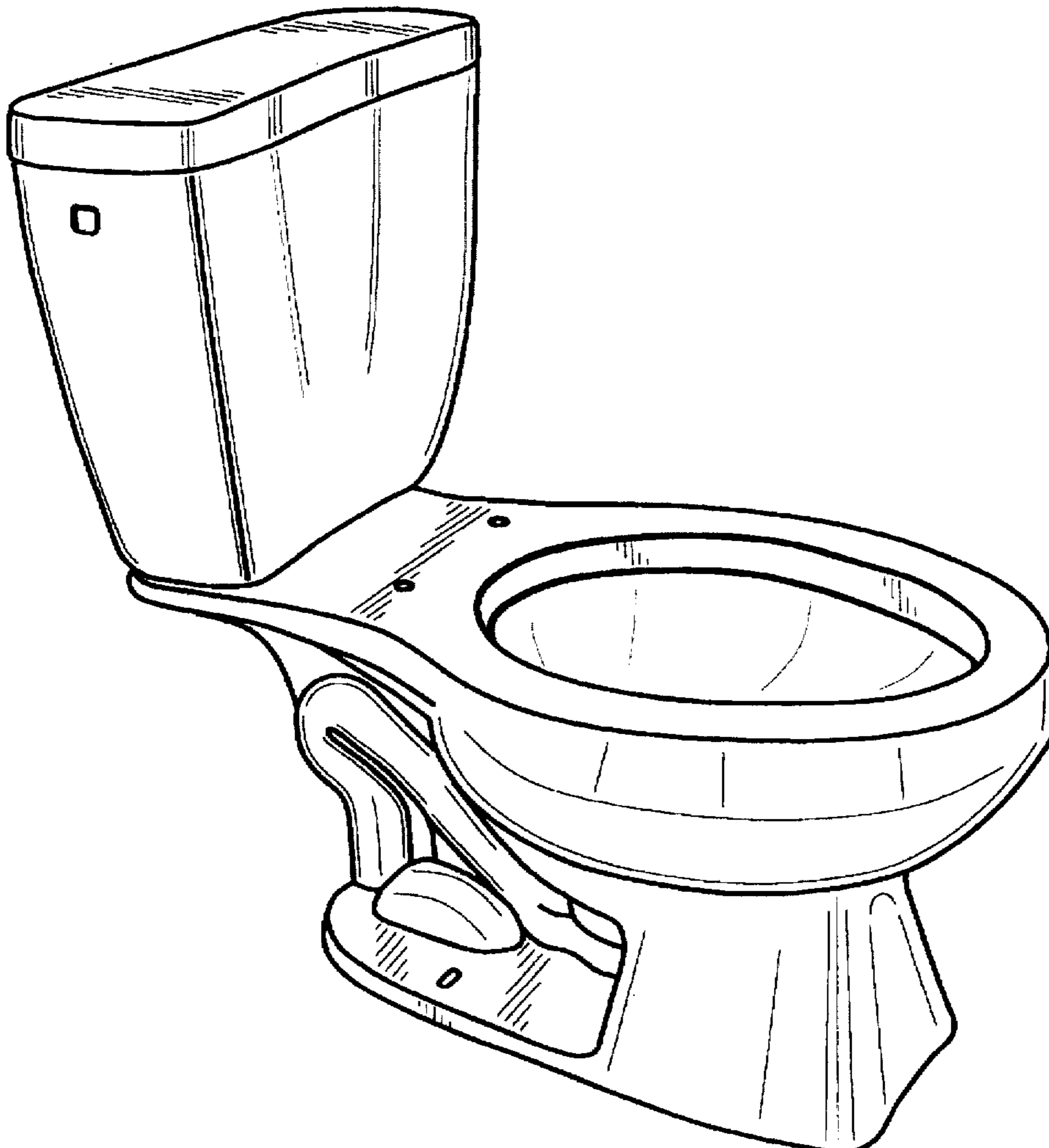
[57] **CLAIM**

The ornamental design for a toilet, as shown.

DESCRIPTION

FIG. 1 is an isometric view showing the ornamental design for a toilet according to the present invention;
FIG. 2 is a front elevation view of the toilet of FIG. 1;
FIG. 3 is a top plan view of the toilet of FIG. 1;
FIG. 4 is a left side elevation view of the toilet of FIG. 1;
FIG. 5 is a right side elevation view of the toilet of FIG. 1;
and,
FIG. 6 is a rear elevation view of the toilet of FIG. 1.
The bottom view of the toilet of FIG. 1 is plain and unornamented.

1 Claim, 2 Drawing Sheets



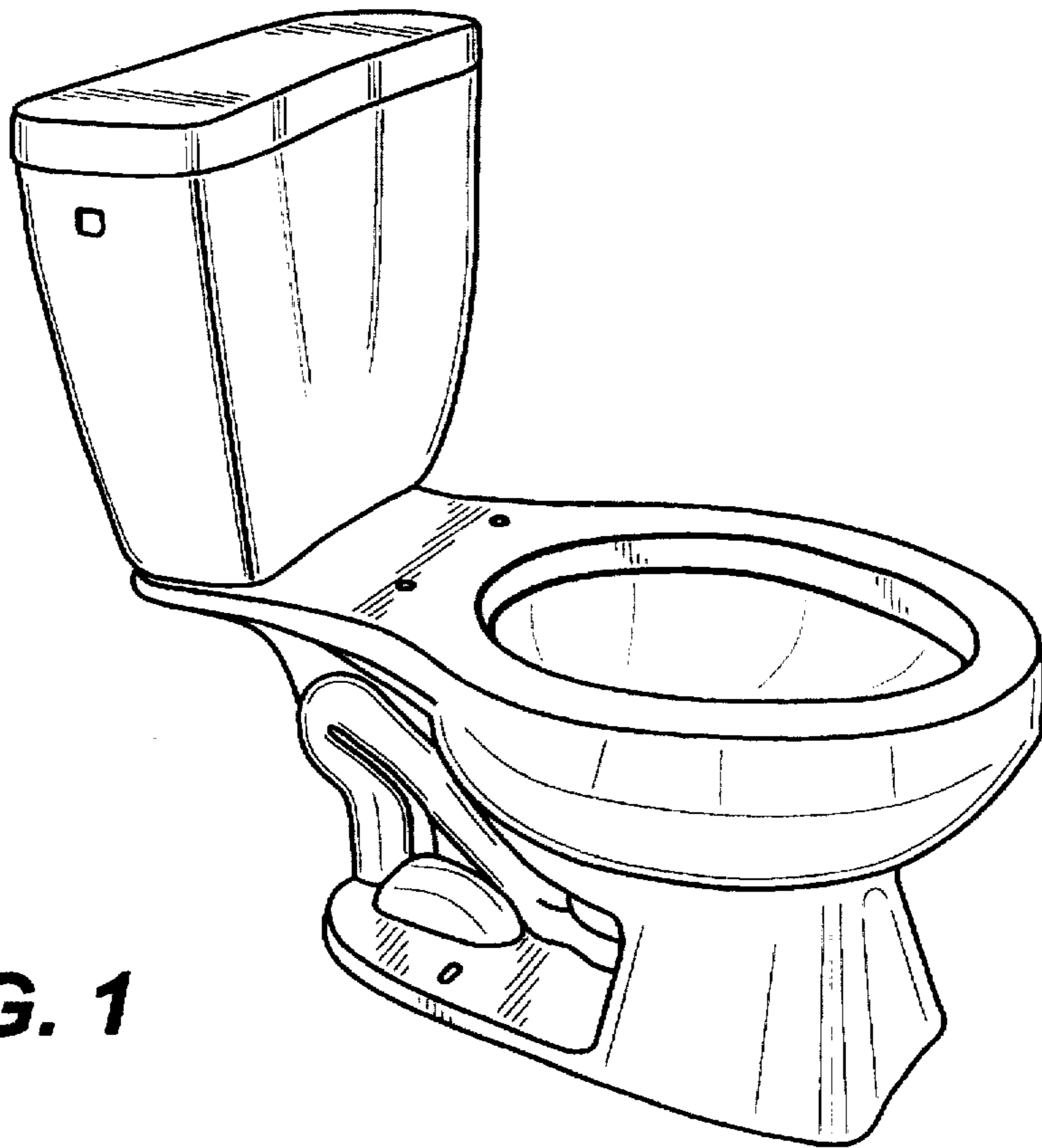


FIG. 1

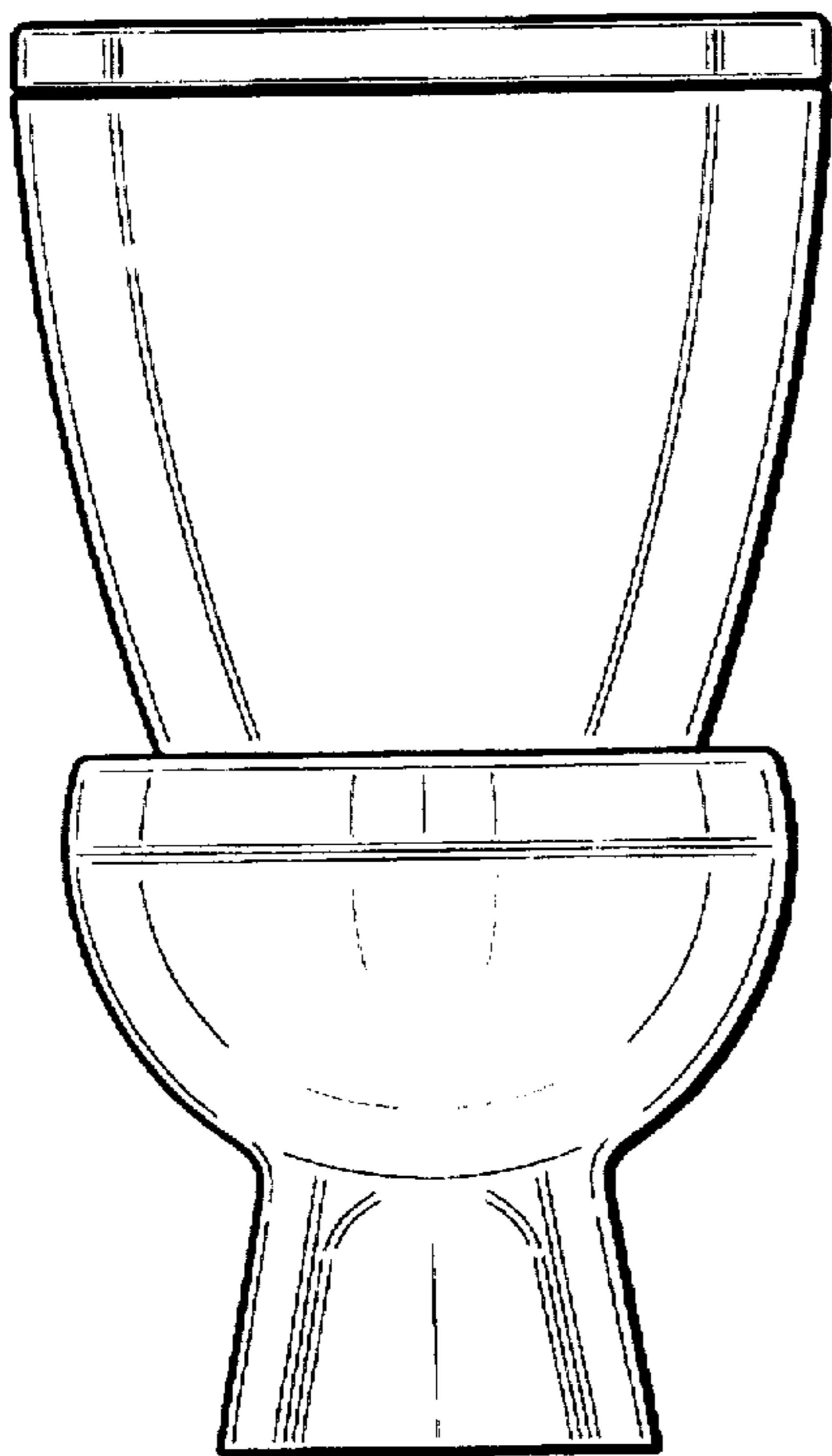


FIG. 2

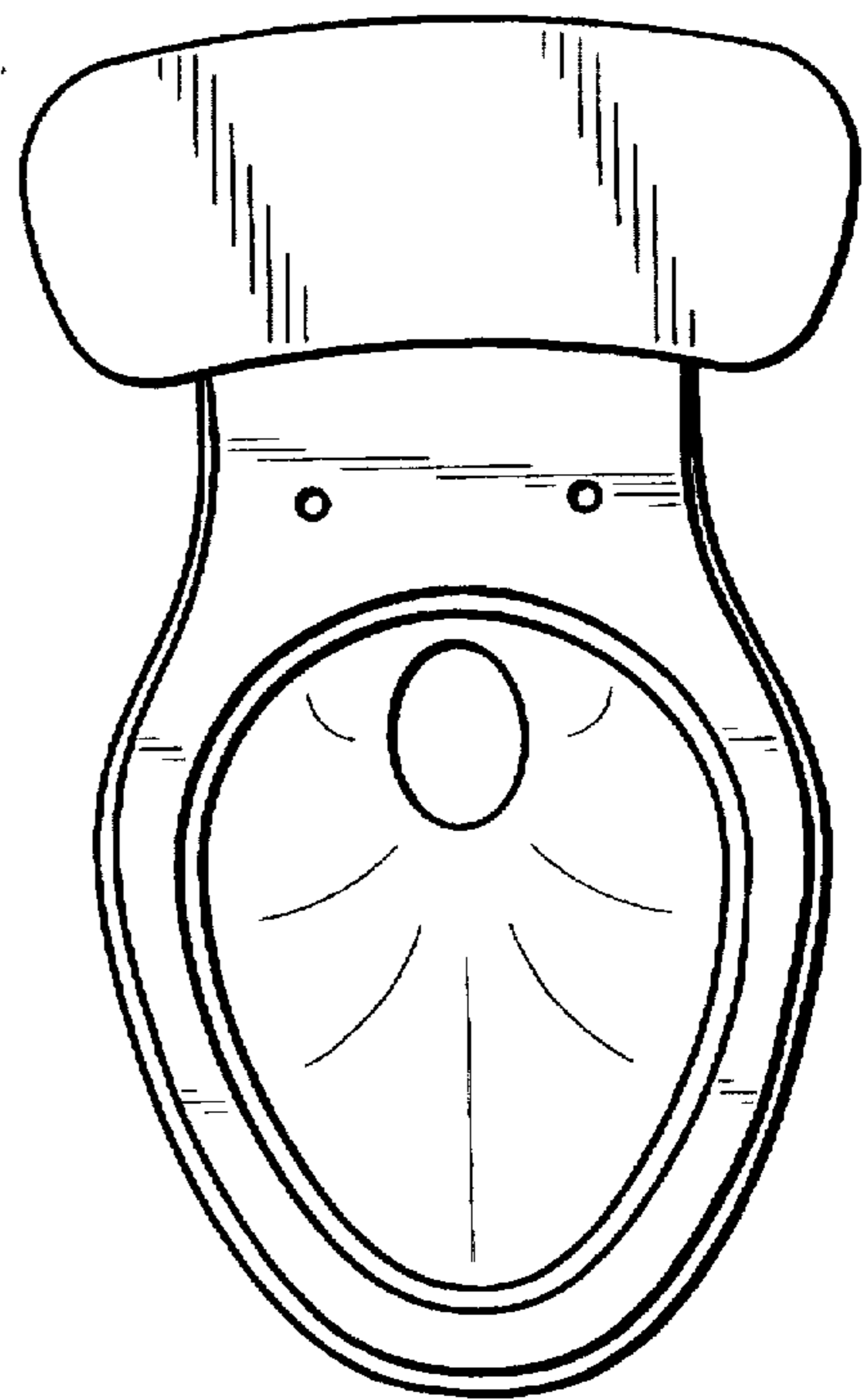


FIG. 3

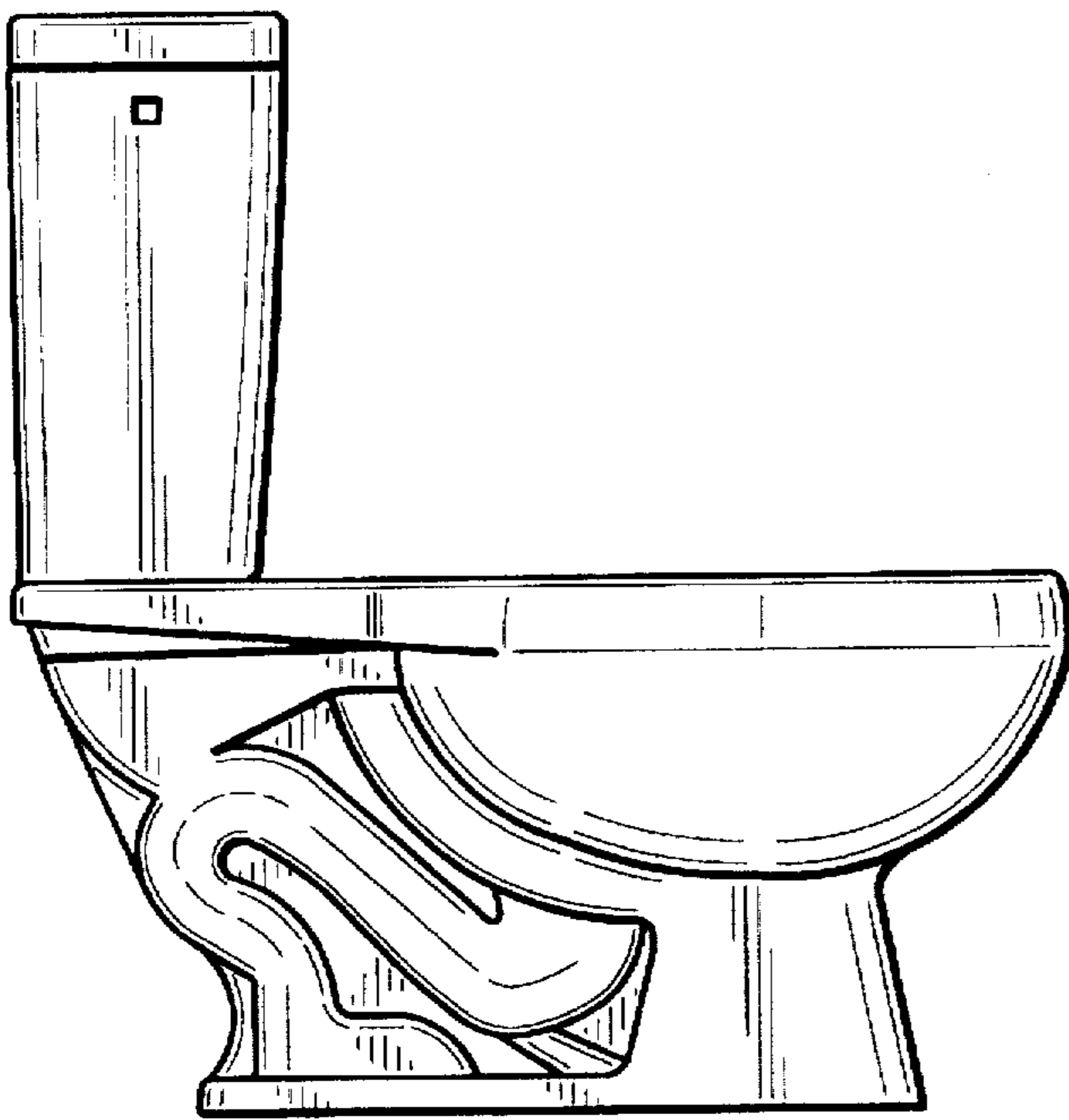


FIG. 4

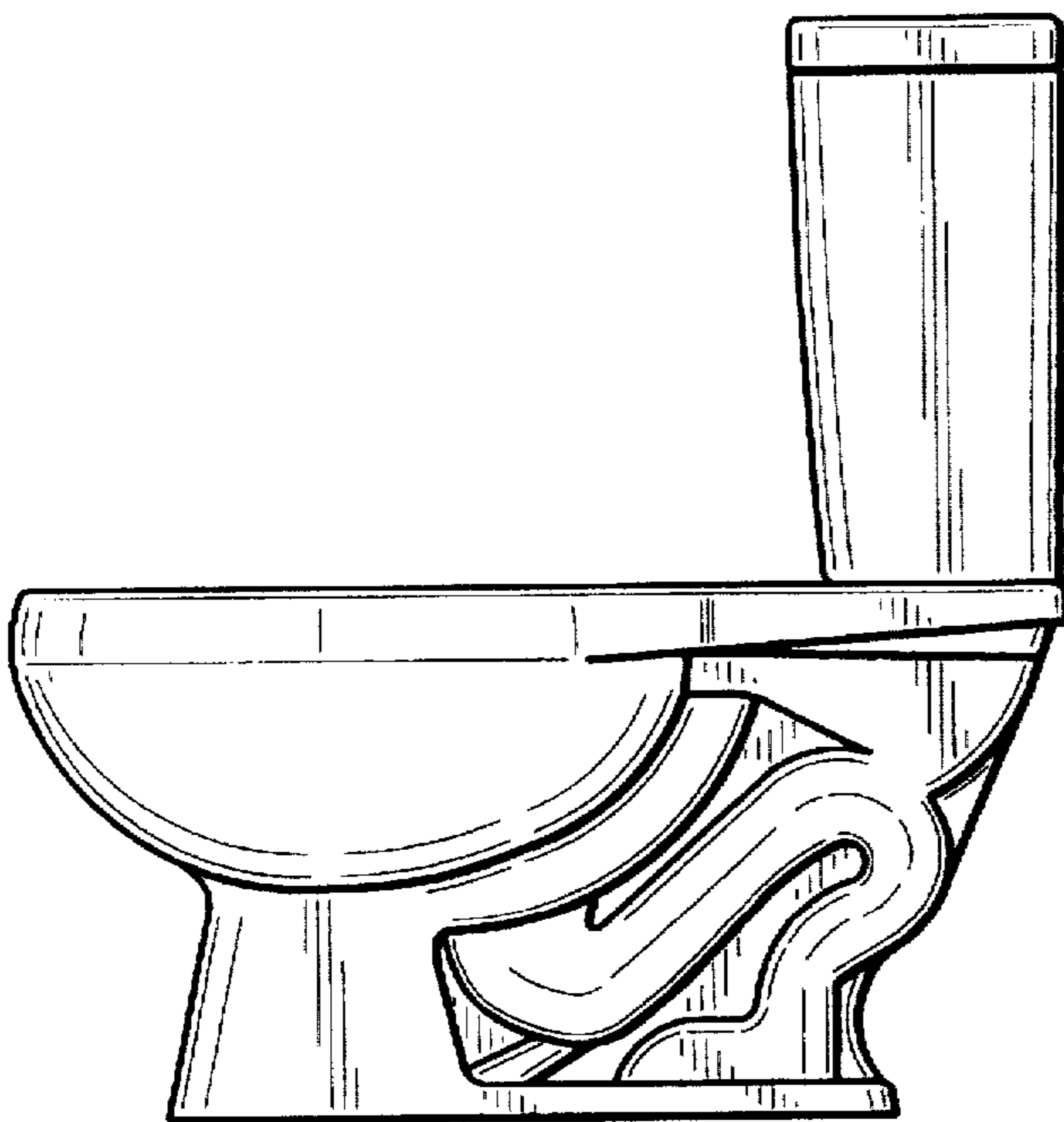


FIG. 5

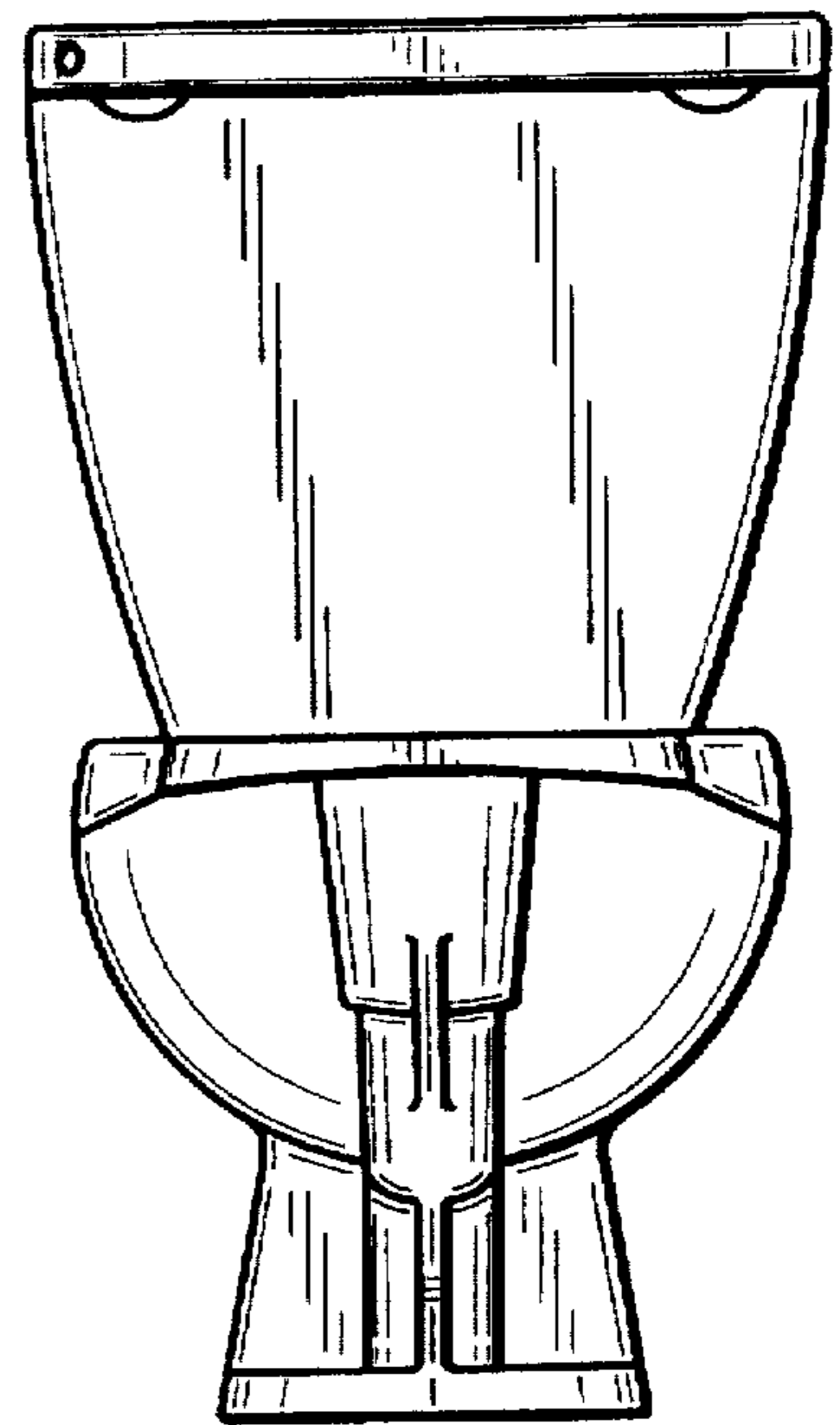


FIG. 6