



US00D392723S

United States Patent [19]
Lenardon

[11] **Patent Number: Des. 392,723**
[45] **Date of Patent: **Mar. 24, 1998**

[54] **BATHTUB**

[75] **Inventor: Lucio Lenardon, Pordenone, Italy**
[73] **Assignee: Domino S.p.A., Pordenone, Italy**
[**] **Term: 14 Years**

[21] **Appl. No.: 55,329**
[22] **Filed: Jun. 5, 1996**

[30] **Foreign Application Priority Data**
Dec. 5, 1995 [IT] Italy PN9500023
[51] **LOC (6) Cl. 23-02**
[52] **U.S. Cl. D23/277**
[58] **Field of Search D23/277-280.4;**
4/538, 539, 546, 548, 551, 584, 590

[56] **References Cited**

U.S. PATENT DOCUMENTS

D. 362,049	9/1995	Jacuzzi	D23/277
D. 365,144	12/1995	Gruber et al.	D23/277
D. 373,817	9/1996	Andronico	D23/277
D. 375,151	10/1996	Andronico	D23/277
D. 377,082	12/1996	Lacy	D23/277

OTHER PUBLICATIONS

International Design Registration No. DM/032 601 of Ucosan B.V., The Netherlands, publication date May 31, 1995.

Primary Examiner—Louis S. Zarfaz
Assistant Examiner—Eric Watterson
Attorney, Agent, or Firm—Wenderoth, Lind & Ponac

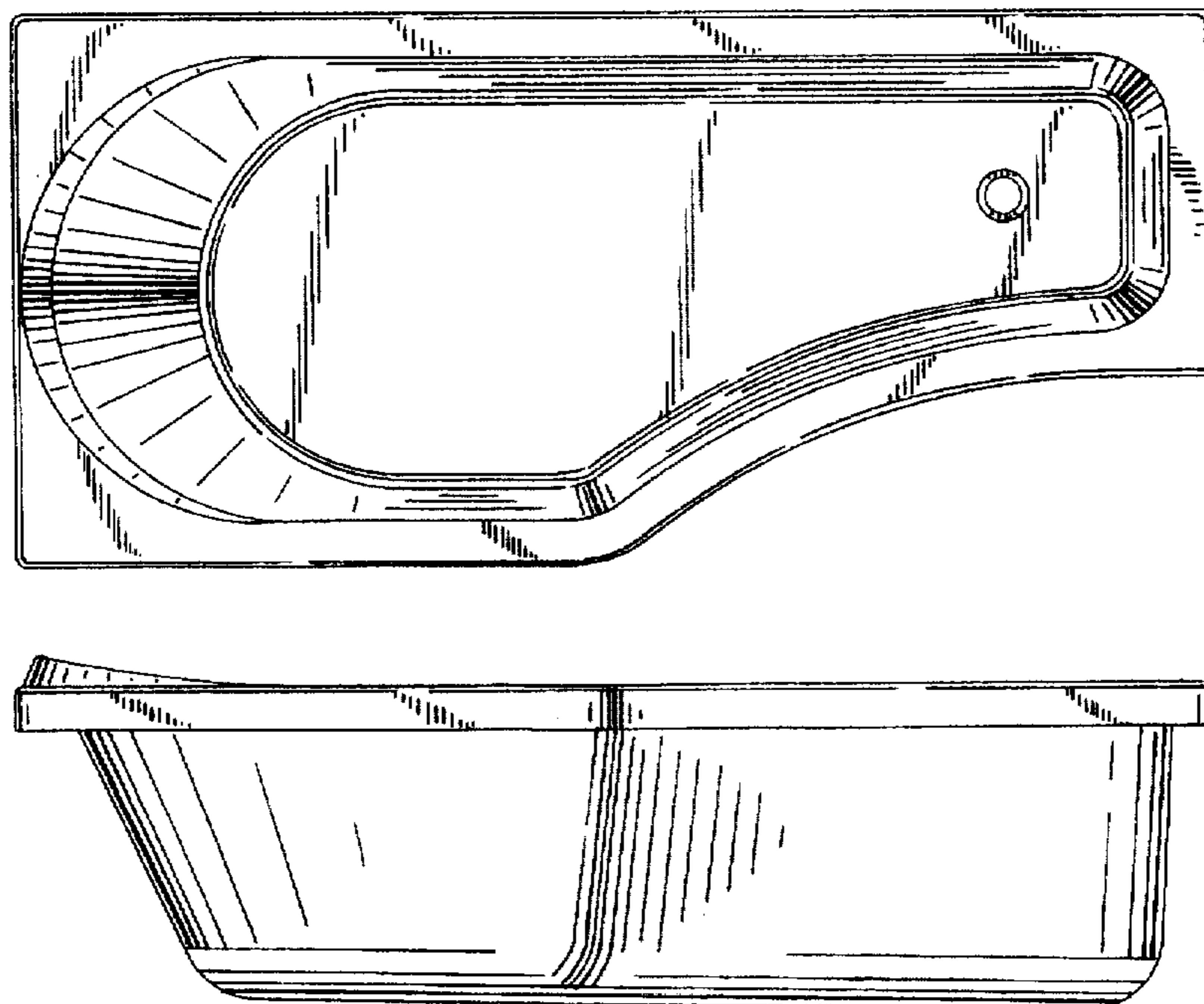
[57] **CLAIM**

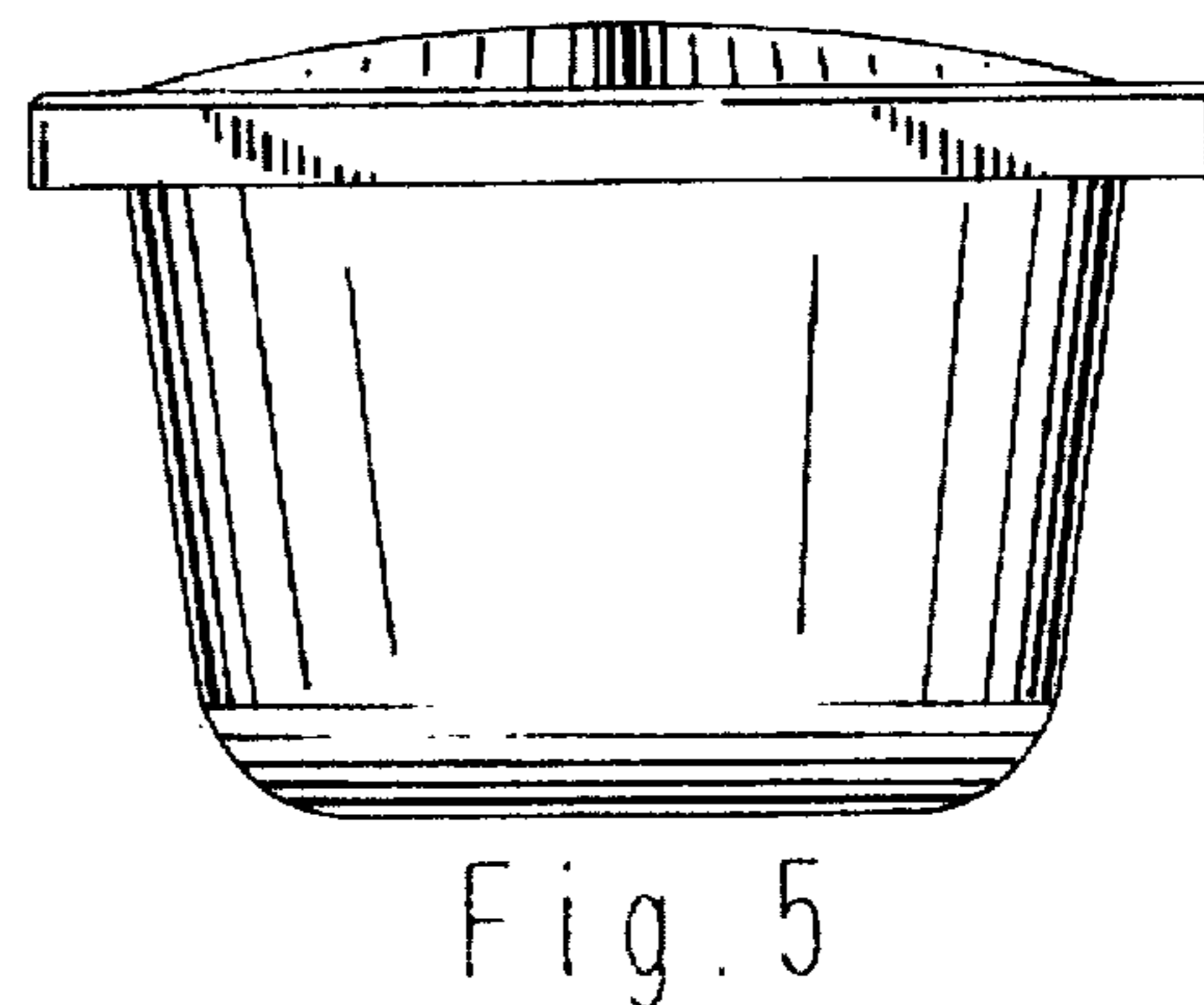
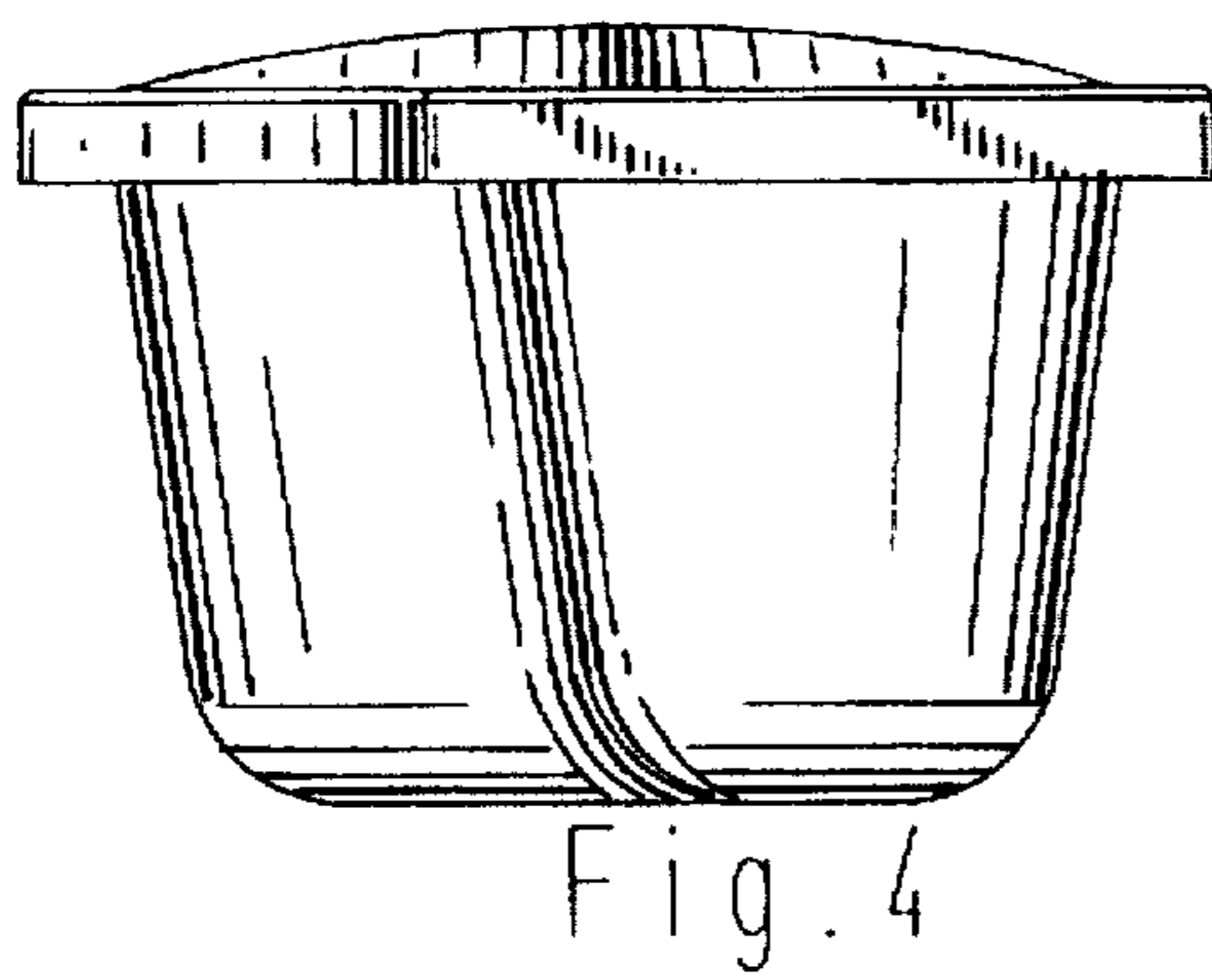
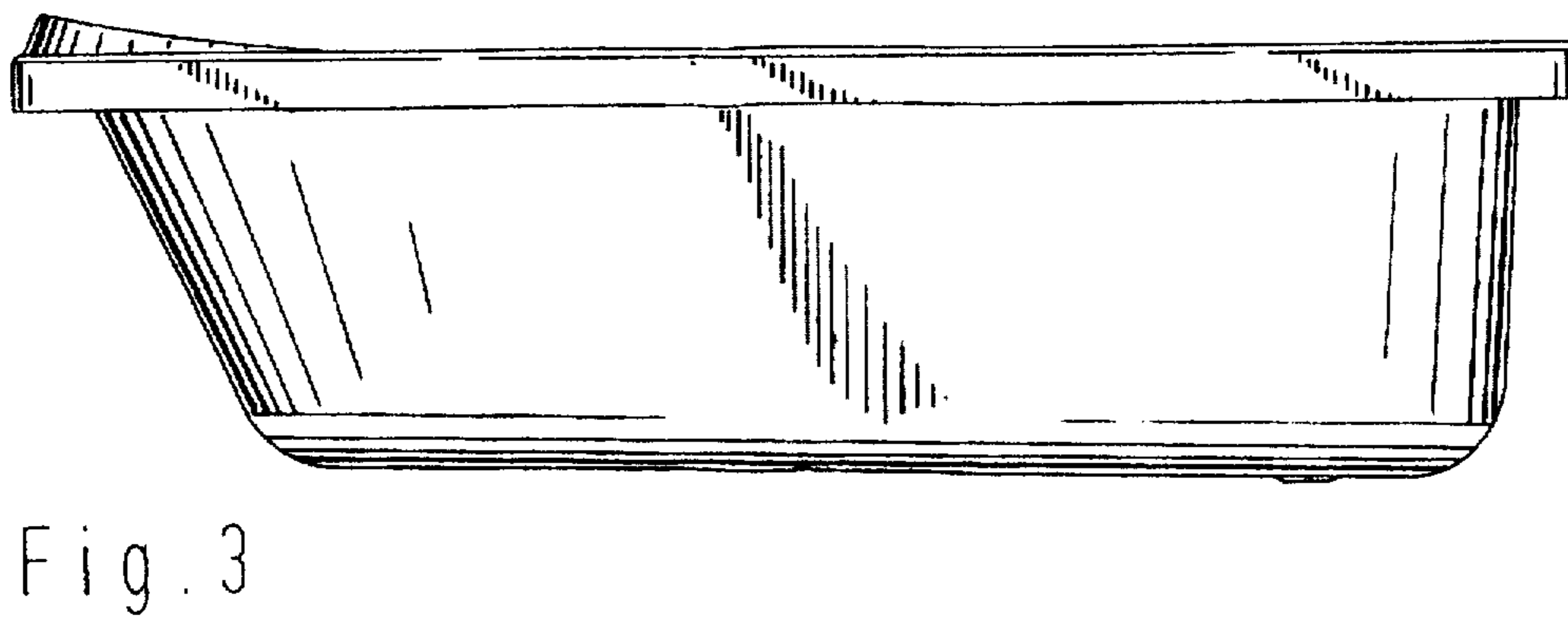
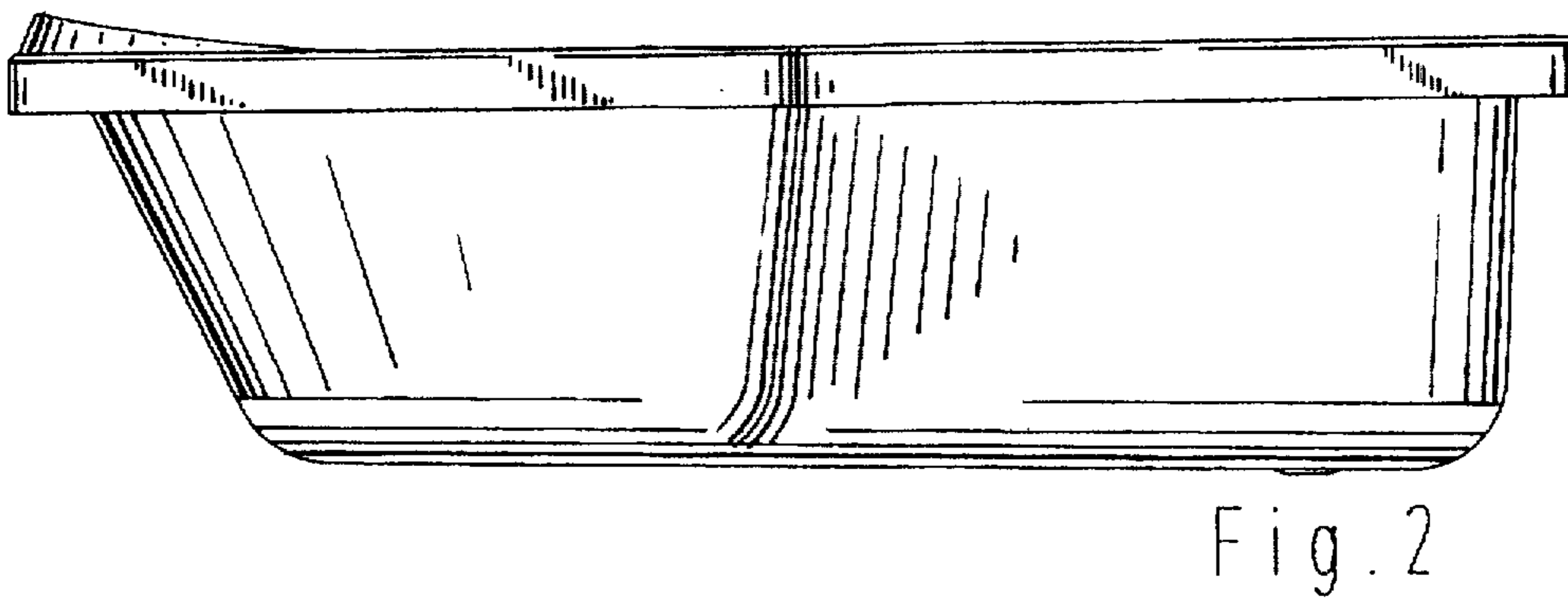
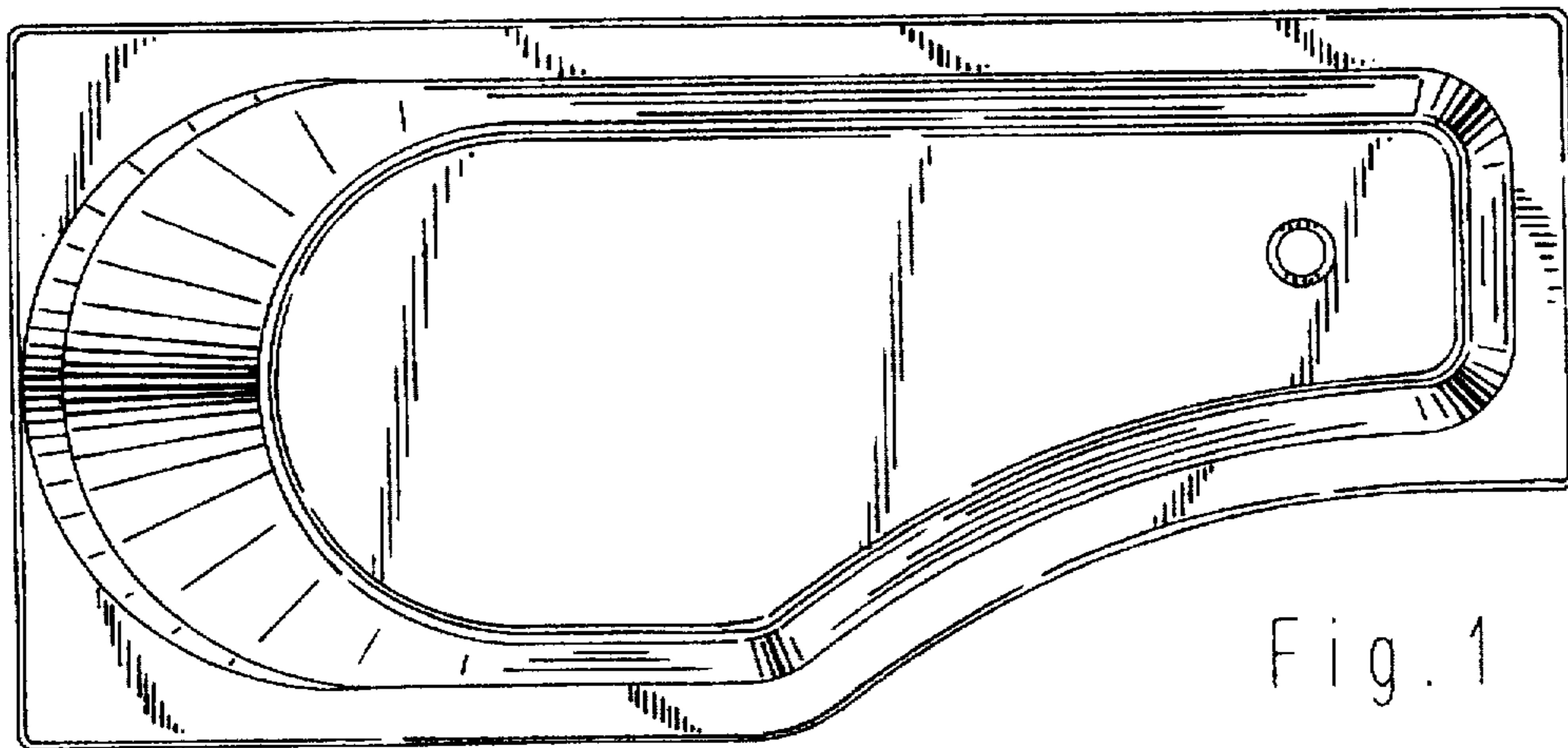
The ornamental design for a bathtub, as shown and described.

DESCRIPTION

FIG. 1 is a top plan view of a first embodiment of a bathtub showing my new design;
FIG. 2 is a front elevational view thereof;
FIG. 3 is a rear elevational view thereof;
FIG. 4 is a right side elevational view thereof;
FIG. 5 is a left side elevational view thereof;
FIG. 6 is a top plan view of a second embodiment of a bathtub showing my new design;
FIG. 7 is a front elevational view thereof;
FIG. 8 is a rear elevational view thereof;
FIG. 9 is a right side elevational view thereof;
FIG. 10 is a left side elevational view thereof;
FIG. 11 is a top plan view showing the first embodiment of a bathtub according to my new design in combination with a shower base-plate;
FIG. 12 is a top plan view showing the second embodiment of a bathtub according to my new design in combination with a shower base-plate;
FIG. 13 is another combination of the bathtub and shower base-plate shown in FIG. 11;
FIG. 14 is another combination of the bathtub and shower base-plate shown in FIG. 12;
FIG. 15 is another combination of the bathtub and shower base-plate shown in FIG. 11;
FIG. 16 is another combination of the bathtub and shower base-plate shown in FIG. 11;
FIG. 17 is another combination of the bathtub and shower base-plate shown in FIG. 12; and,
FIG. 18 is another combination of the bathtub and shower base-plate shown in FIG. 12.

1 Claim, 4 Drawing Sheets





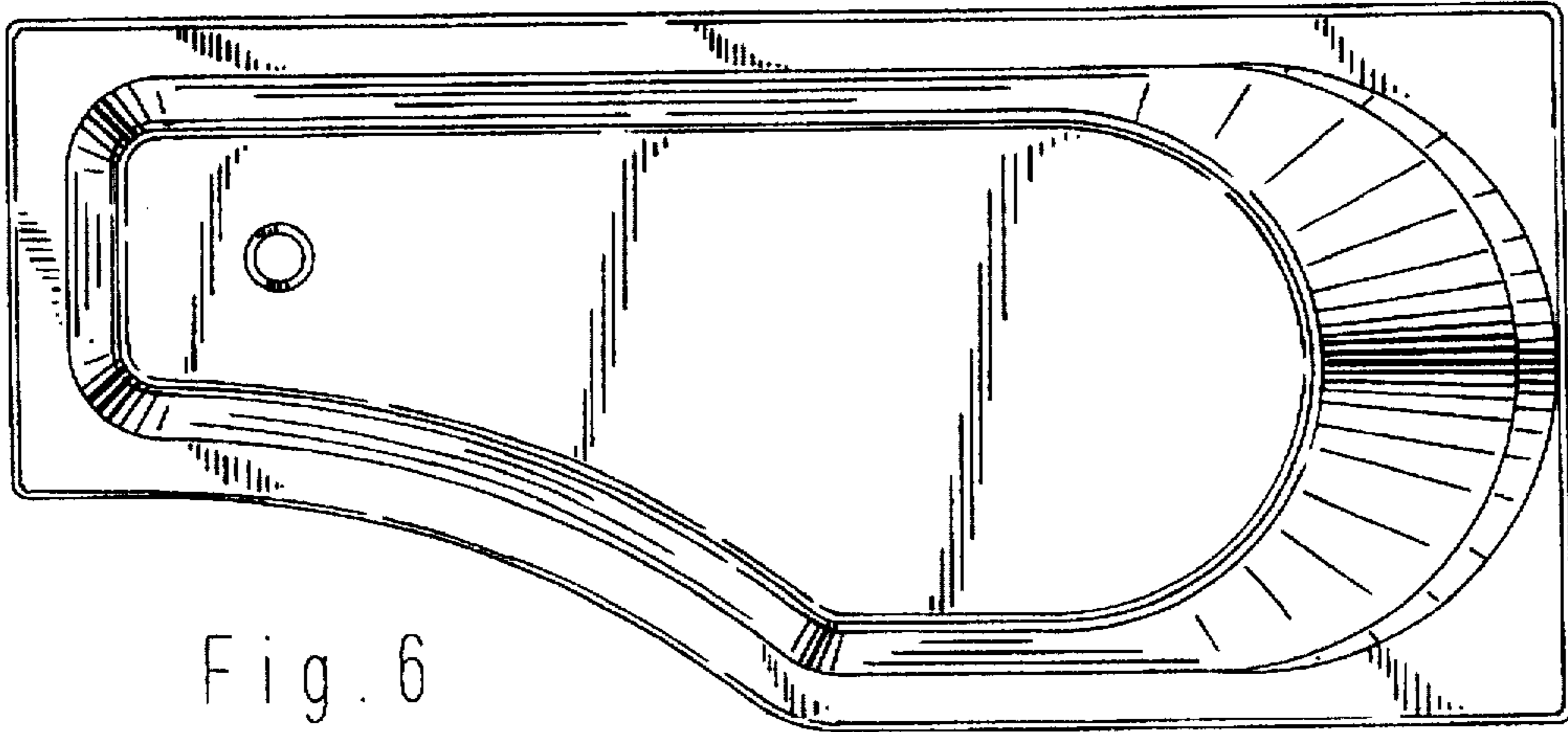


Fig. 6

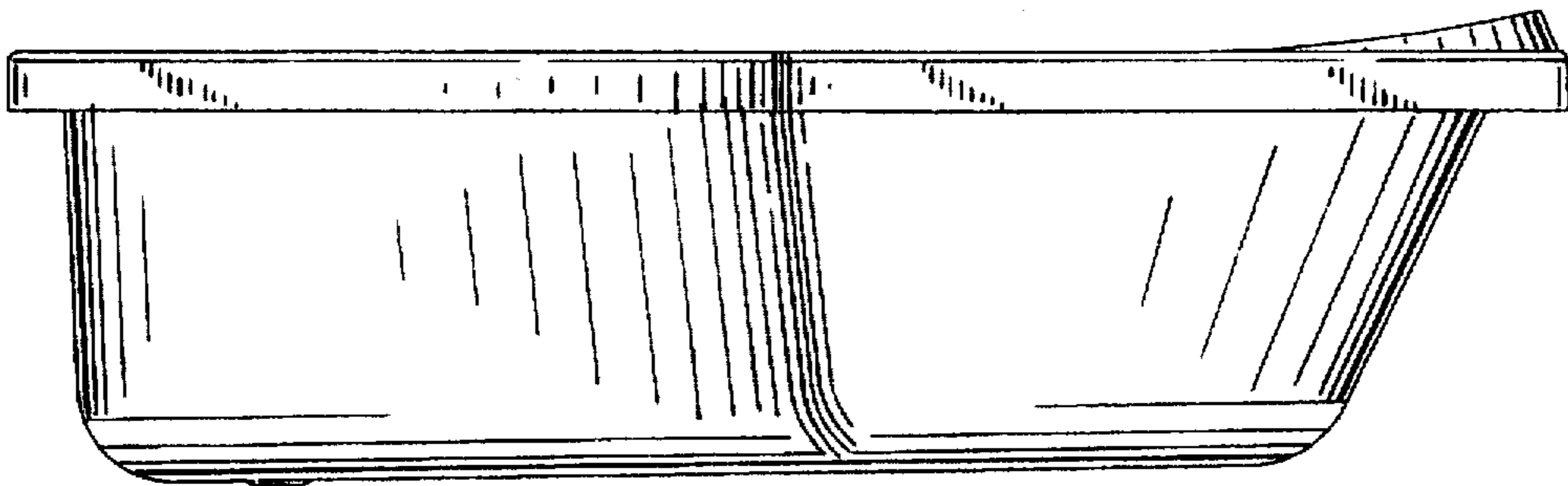


Fig. 7

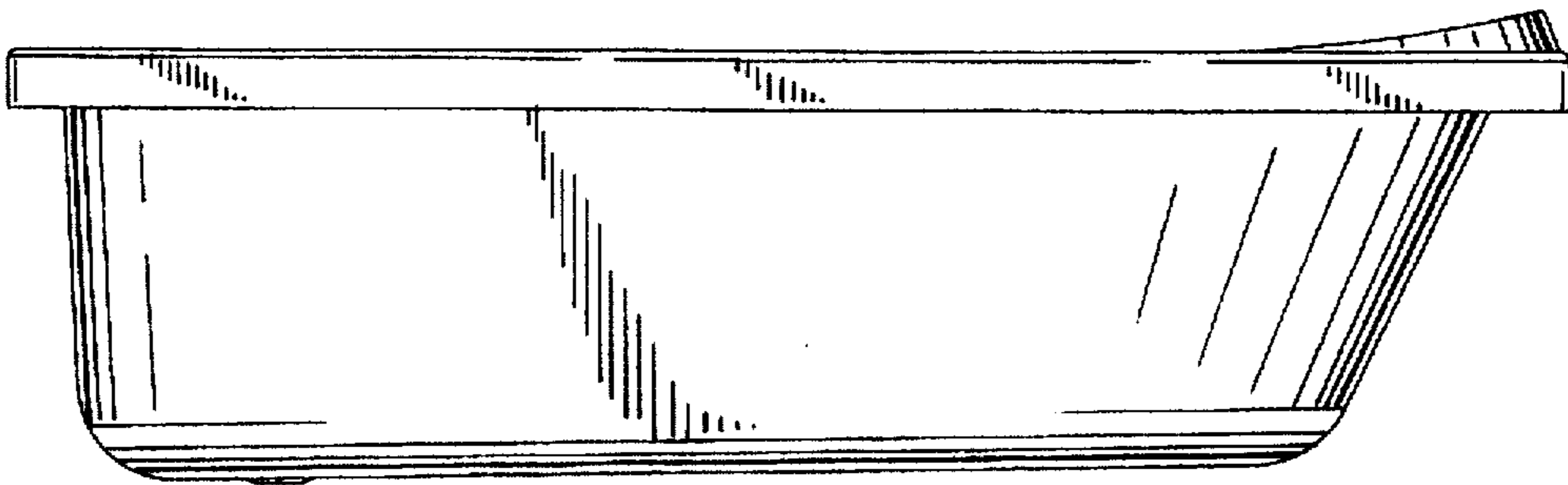


Fig. 8

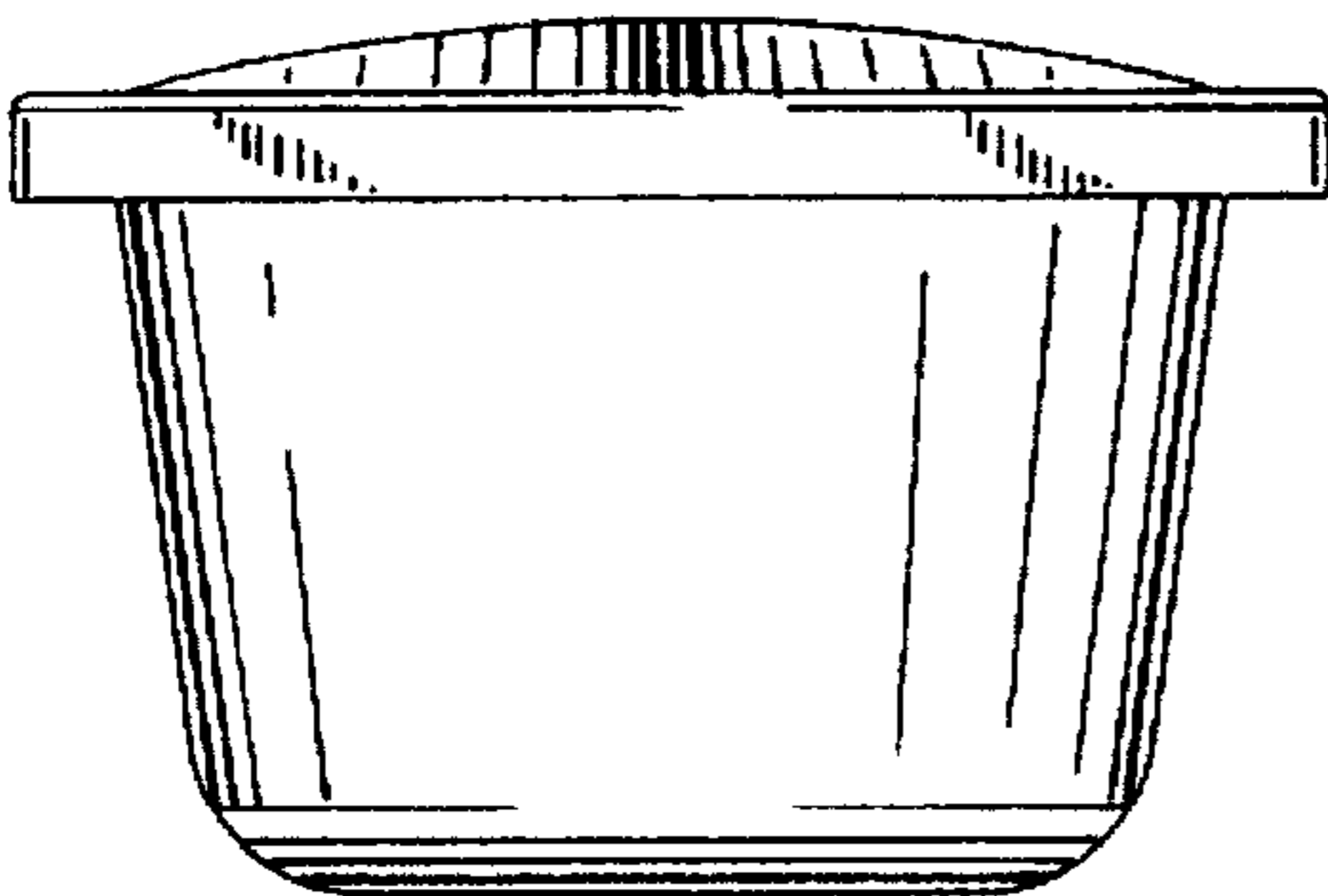


Fig. 9

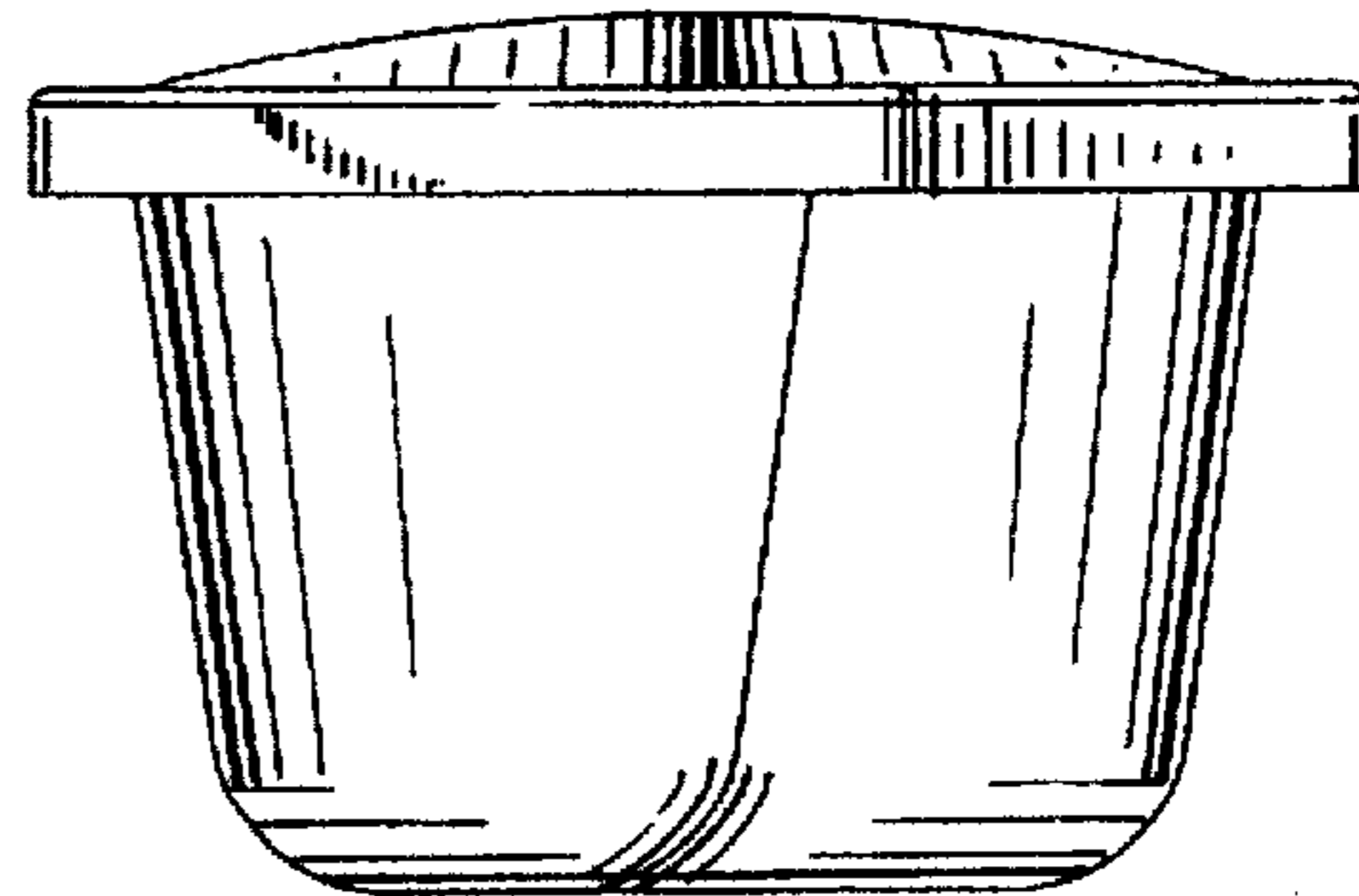


Fig. 10

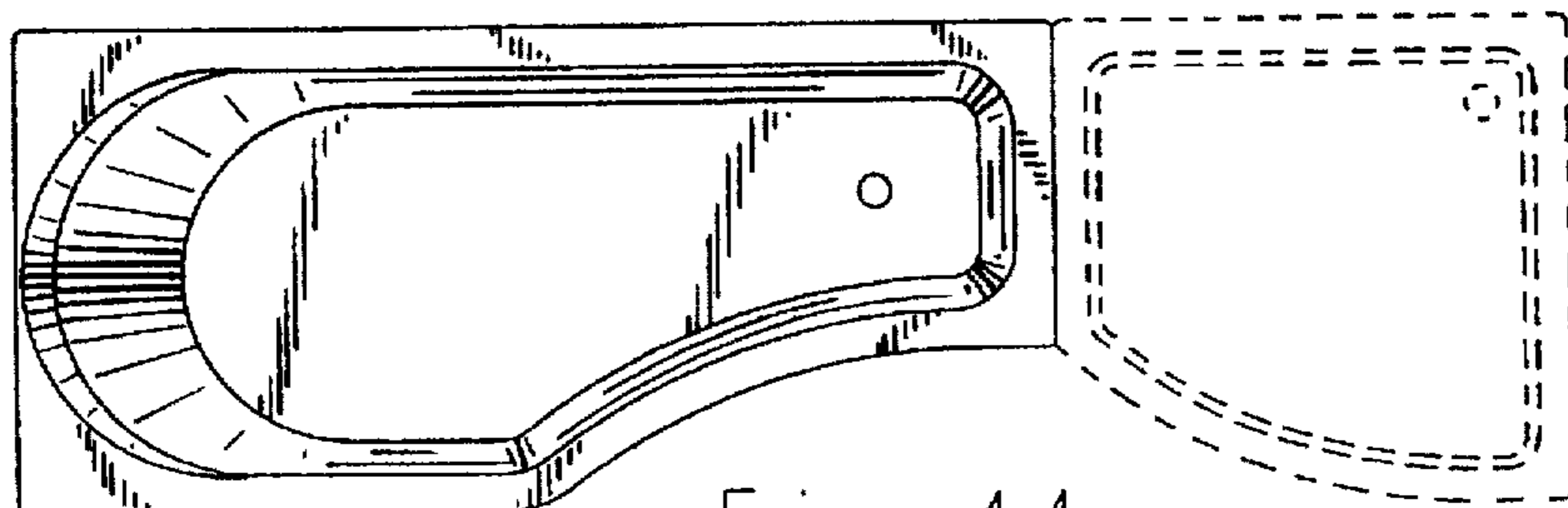


Fig. 11

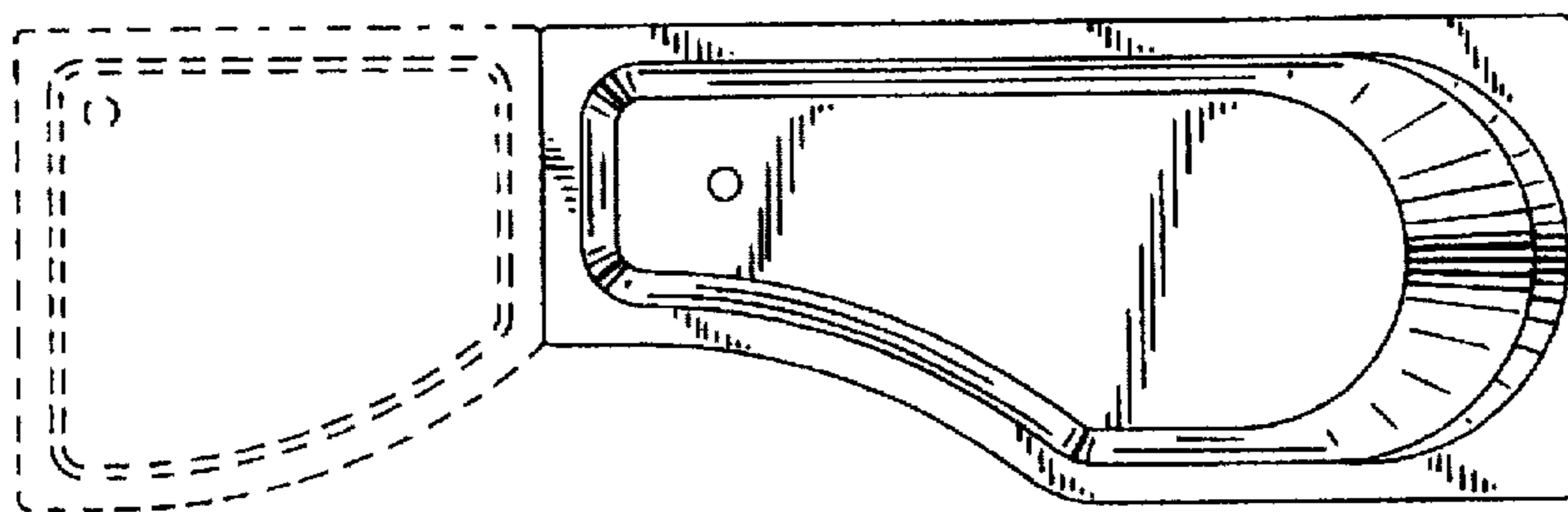


Fig. 12

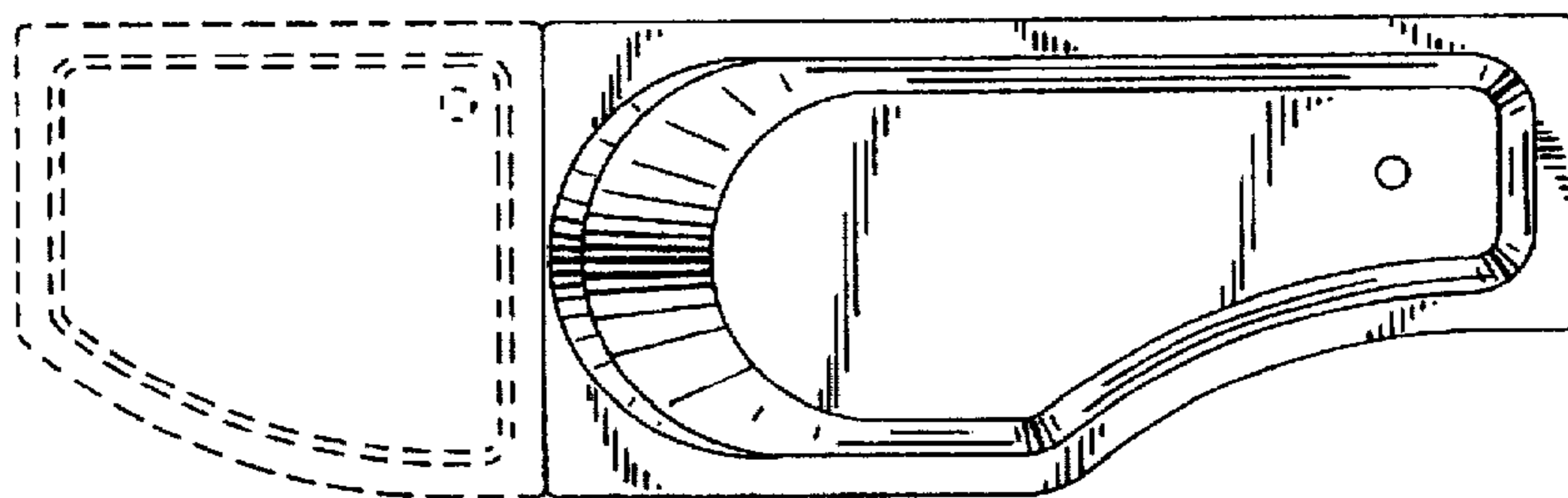


Fig. 13

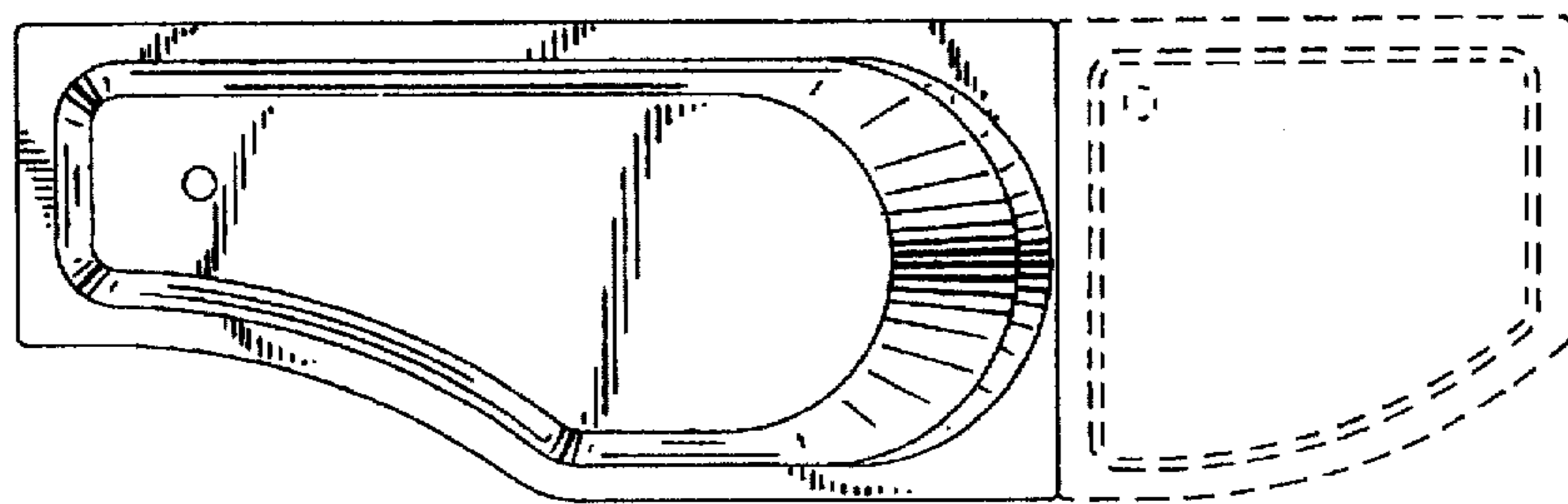


Fig. 14

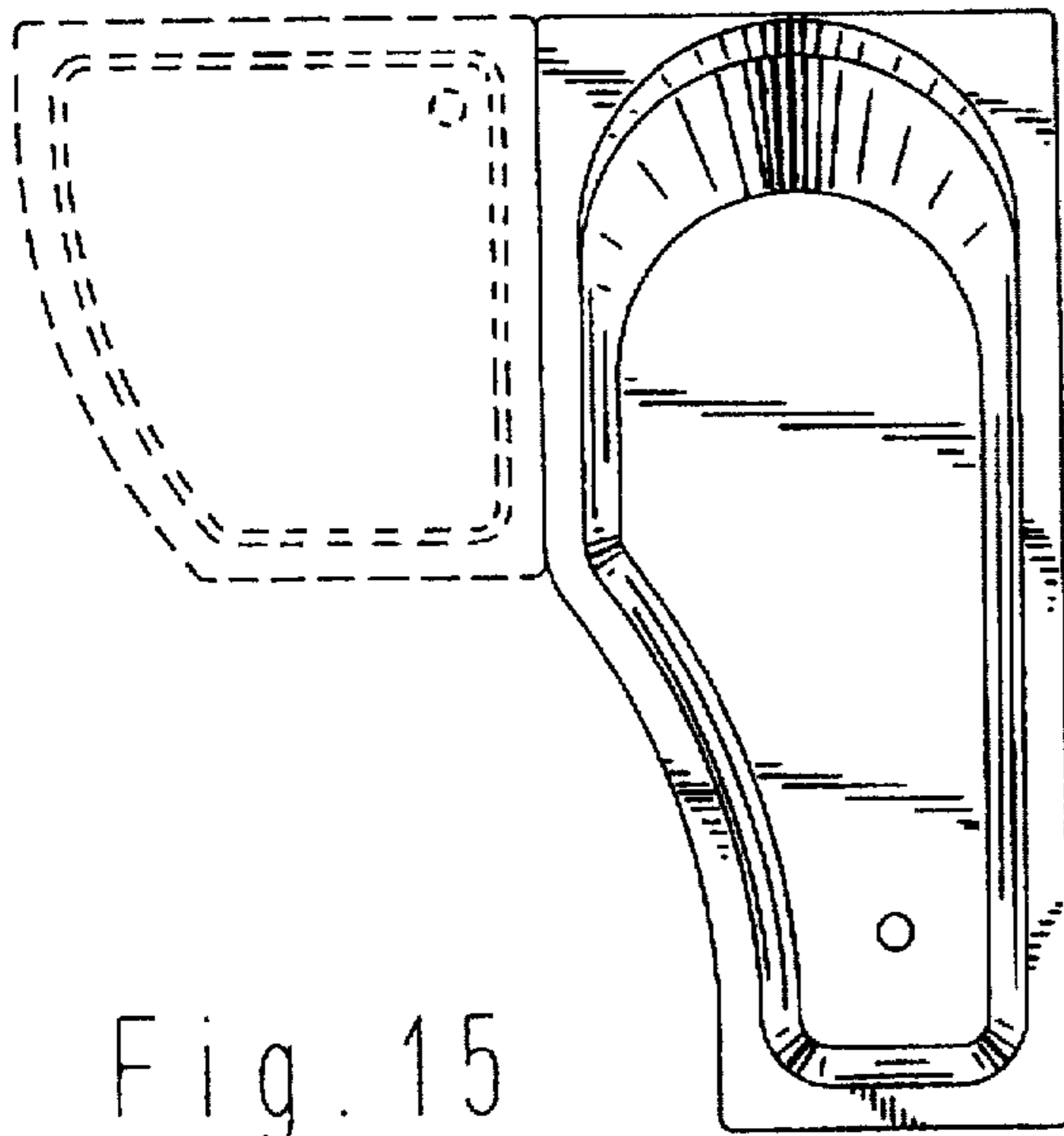


Fig. 15

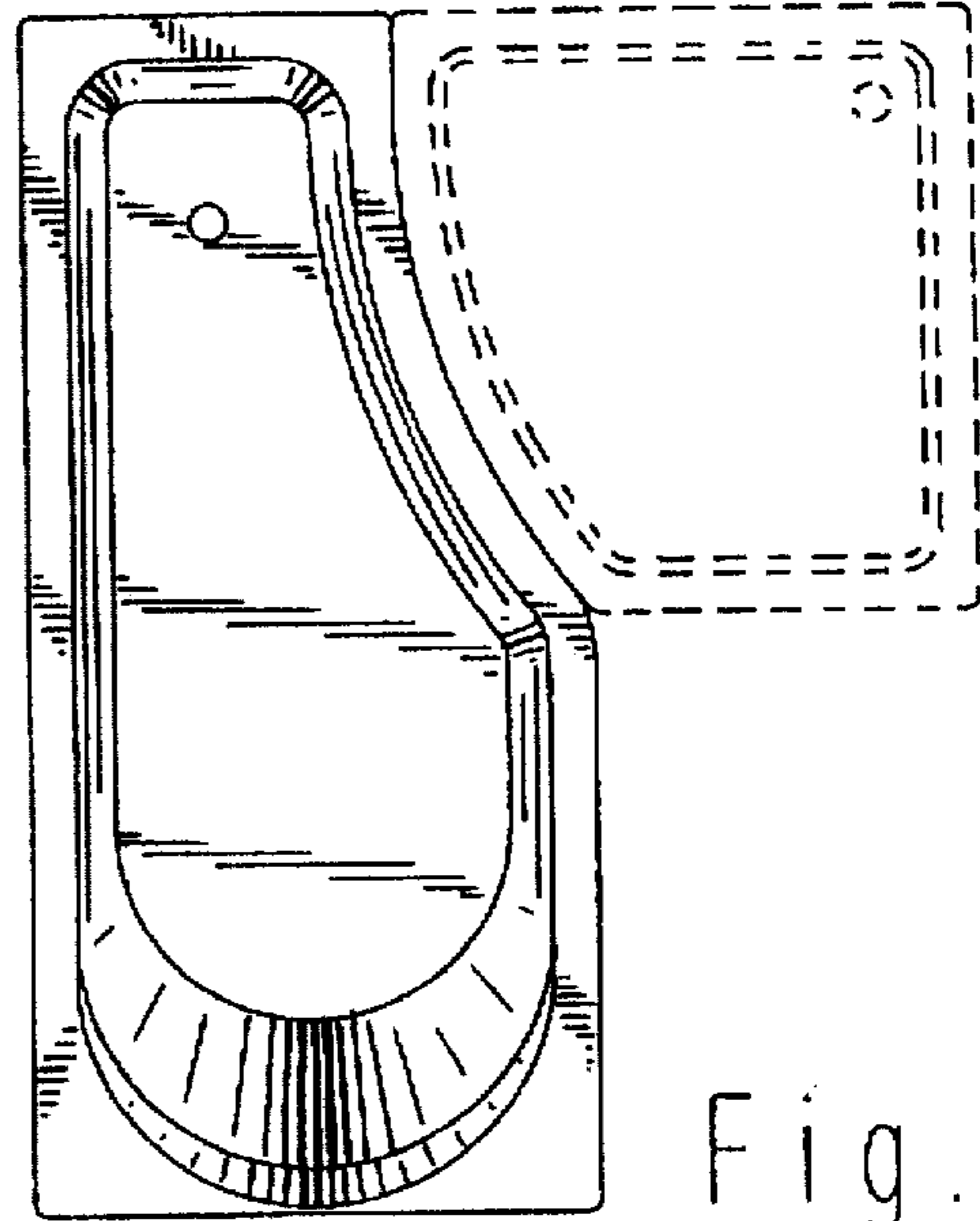


Fig. 16

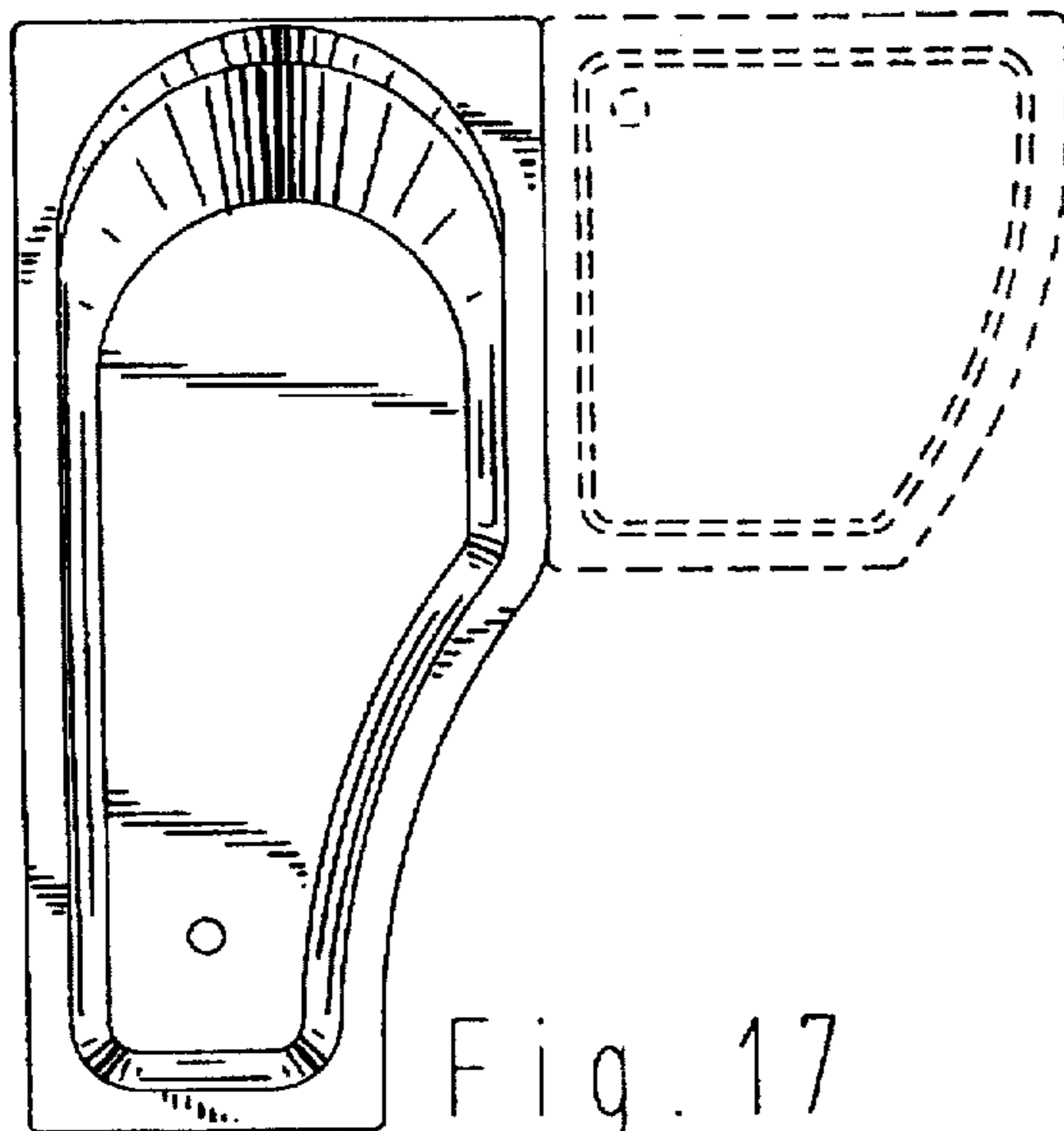


Fig. 17

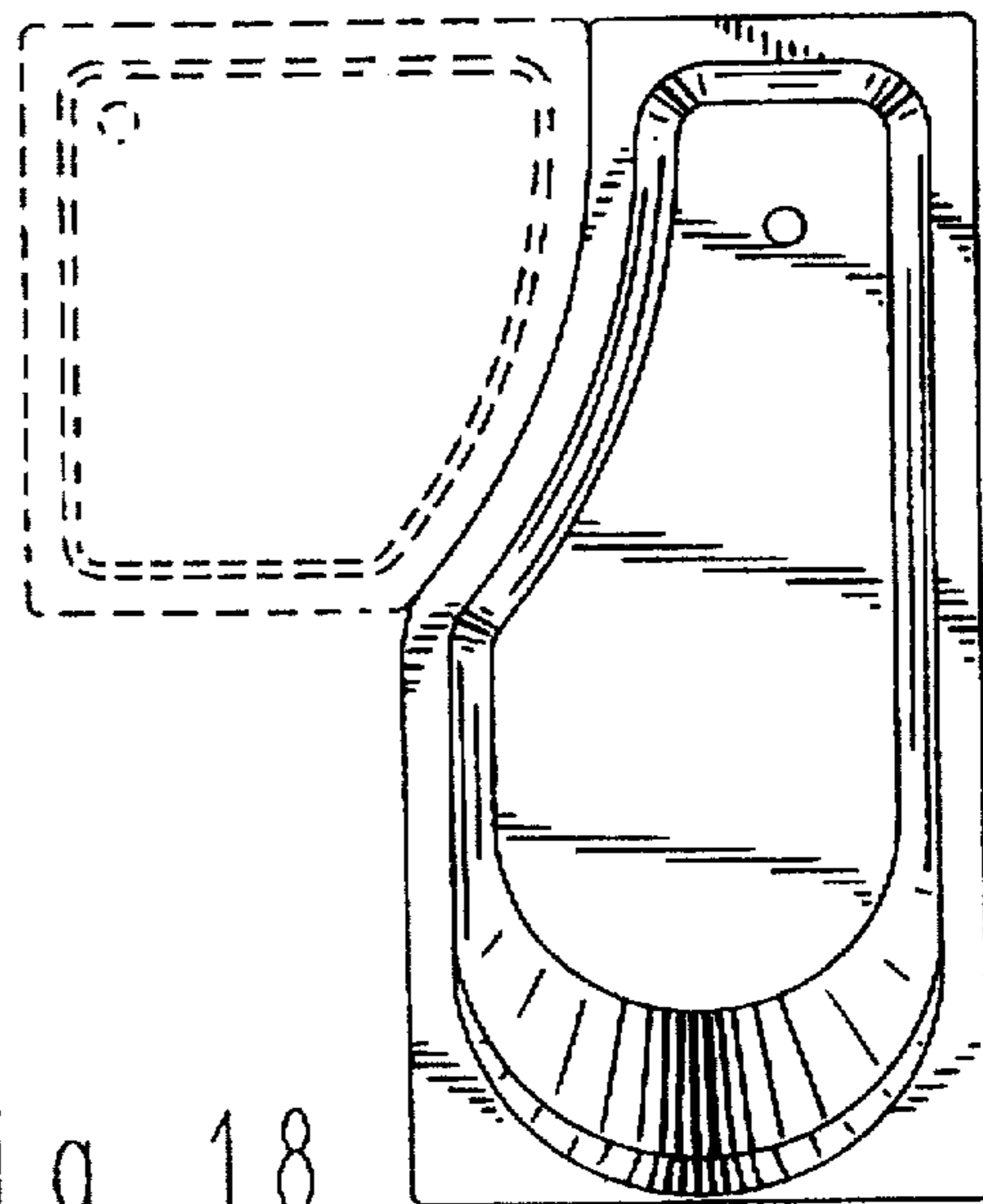


Fig. 18