

US00D392721S

# United States Patent [19]

Doughty et al.

[11] Patent Number: **Des. 392,721**

[45] Date of Patent: **\*\*Mar. 24, 1998**

[54] HANDLE

[75] Inventors: **Frederic C. Doughty**, South Pasadena;  
**Darren M. Mark**, Valencia; **Alvin Tolosa**, Ventura City, all of Calif.

[73] Assignee: **Emhart Inc.**, Newark, Del.

[\*\*] Term: **14 Years**

[21] Appl. No.: **74,629**

[22] Filed: **Aug. 8, 1997**

[51] LOC (6) Cl. .... **23-01**

[52] U.S. Cl. .... **D23/252**

[58] Field of Search ..... **D23/238-243,**  
**D23/250-257; D8/300, 308, 310; 4/675-678;**  
**137/801**

[56] **References Cited**

**U.S. PATENT DOCUMENTS**

D. 223,155	3/1972	Owings	.....	D23/252
D. 227,466	6/1973	Genaro	.....	D23/252
D. 290,740	7/1987	Yost	.....	D23/252
D. 349,154	7/1994	Mork	.....	D23/252

D. 358,869	5/1995	Mark et al.	.
D. 359,112	6/1995	Mark et al.	.
D. 379,847	6/1997	Kooler, Jr.	..... D23/252

*Primary Examiner*—Louis S. Zarfes  
*Assistant Examiner*—Eric Watterson  
*Attorney, Agent, or Firm*—Harold Weinstein

[57] **CLAIM**

The ornamental design for handle, as shown and described.

**DESCRIPTION**

FIG. 1 is a perspective view of our new design of the handle;  
FIG. 2 is a front elevational view of our new design of the handle;  
FIG. 3 is a rear elevational view of our new design of the handle;  
FIG. 4 is a right elevational view of our new design of the handle;  
FIG. 5 is a left elevational view of our new design of the handle;  
FIG. 6 is a top plan view of our new design of the handle;  
and,  
FIG. 7 is a bottom plan view of our new design of the handle.

**1 Claim, 2 Drawing Sheets**

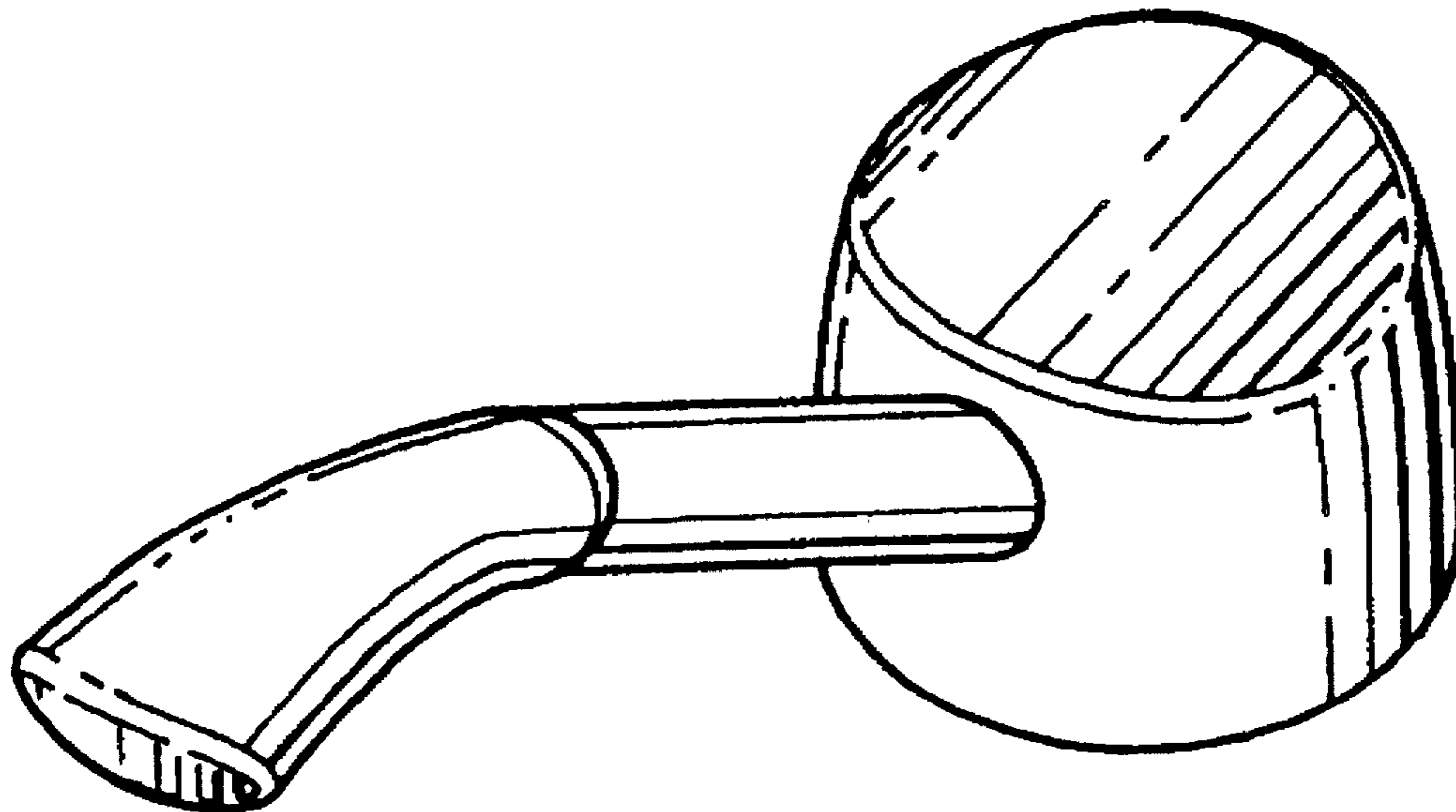


FIG. 1

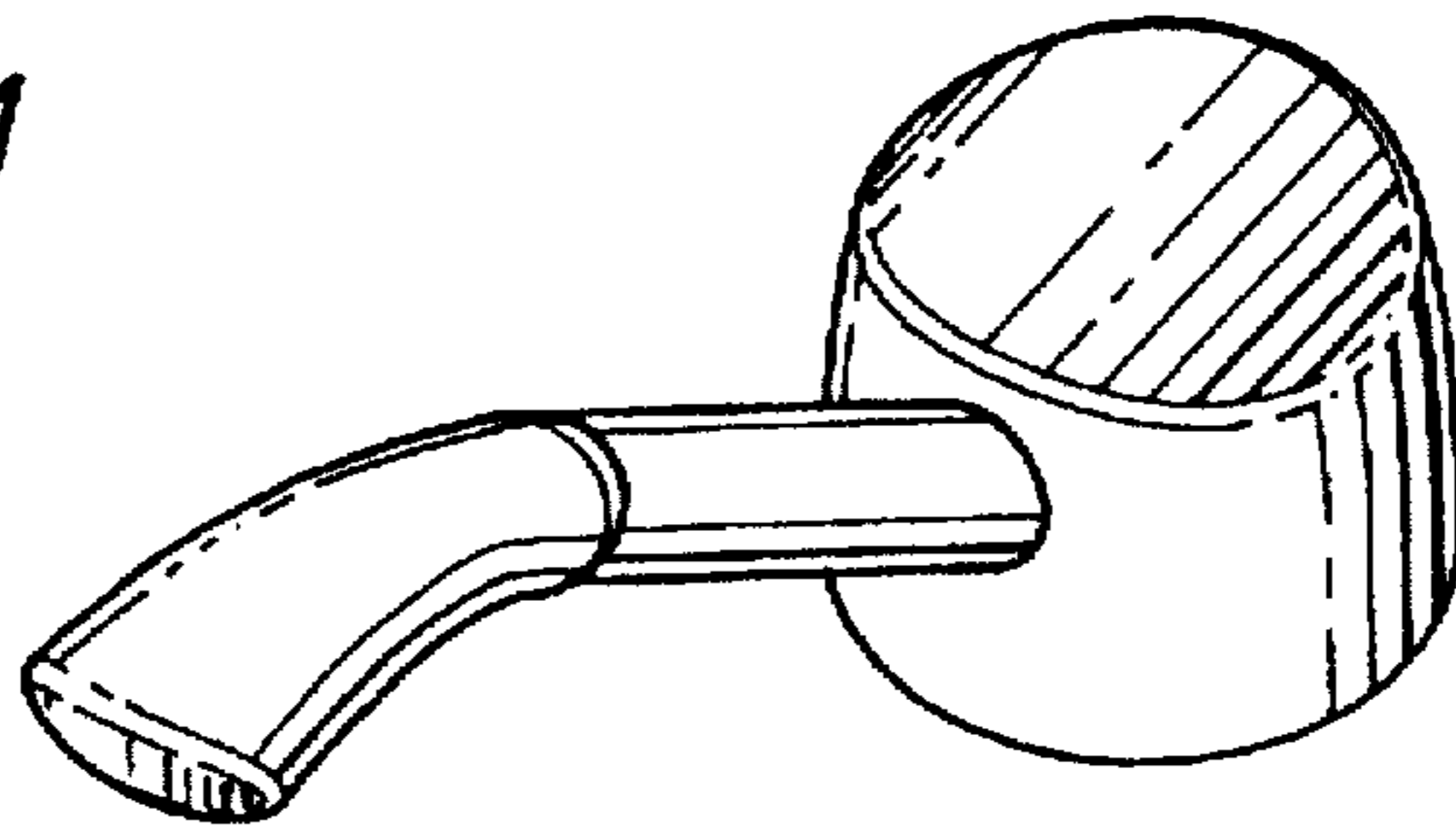


FIG. 2

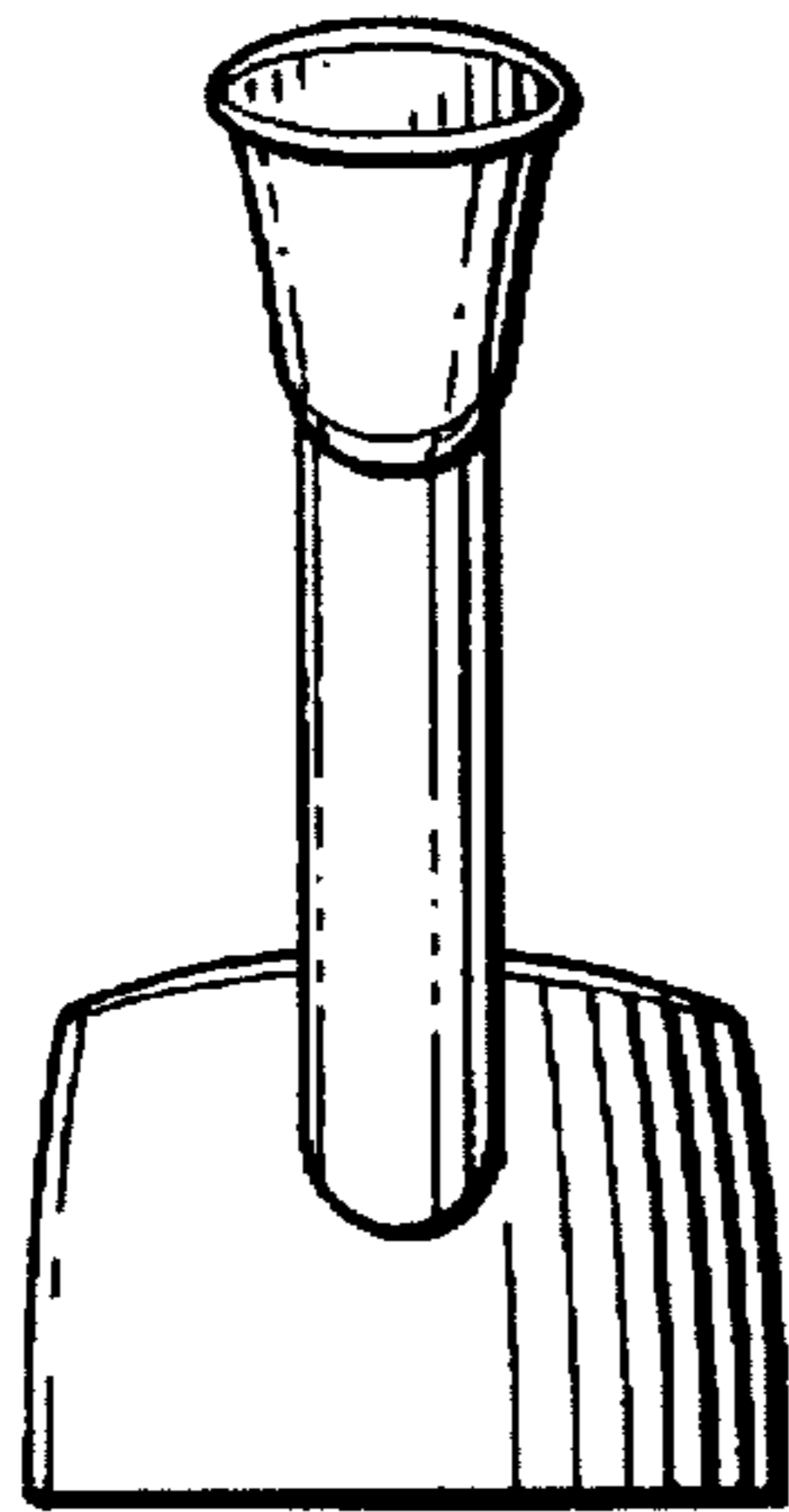


FIG. 3

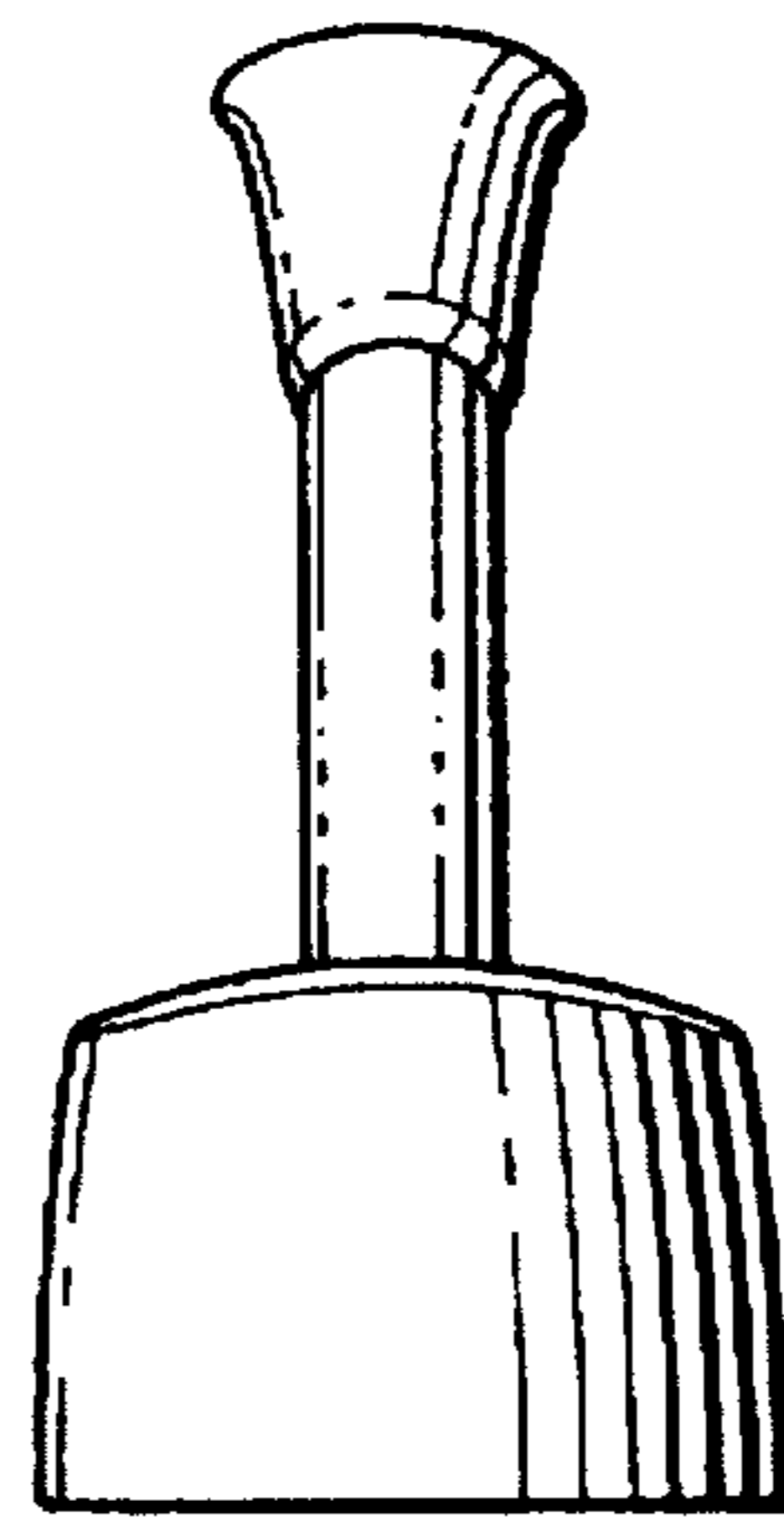
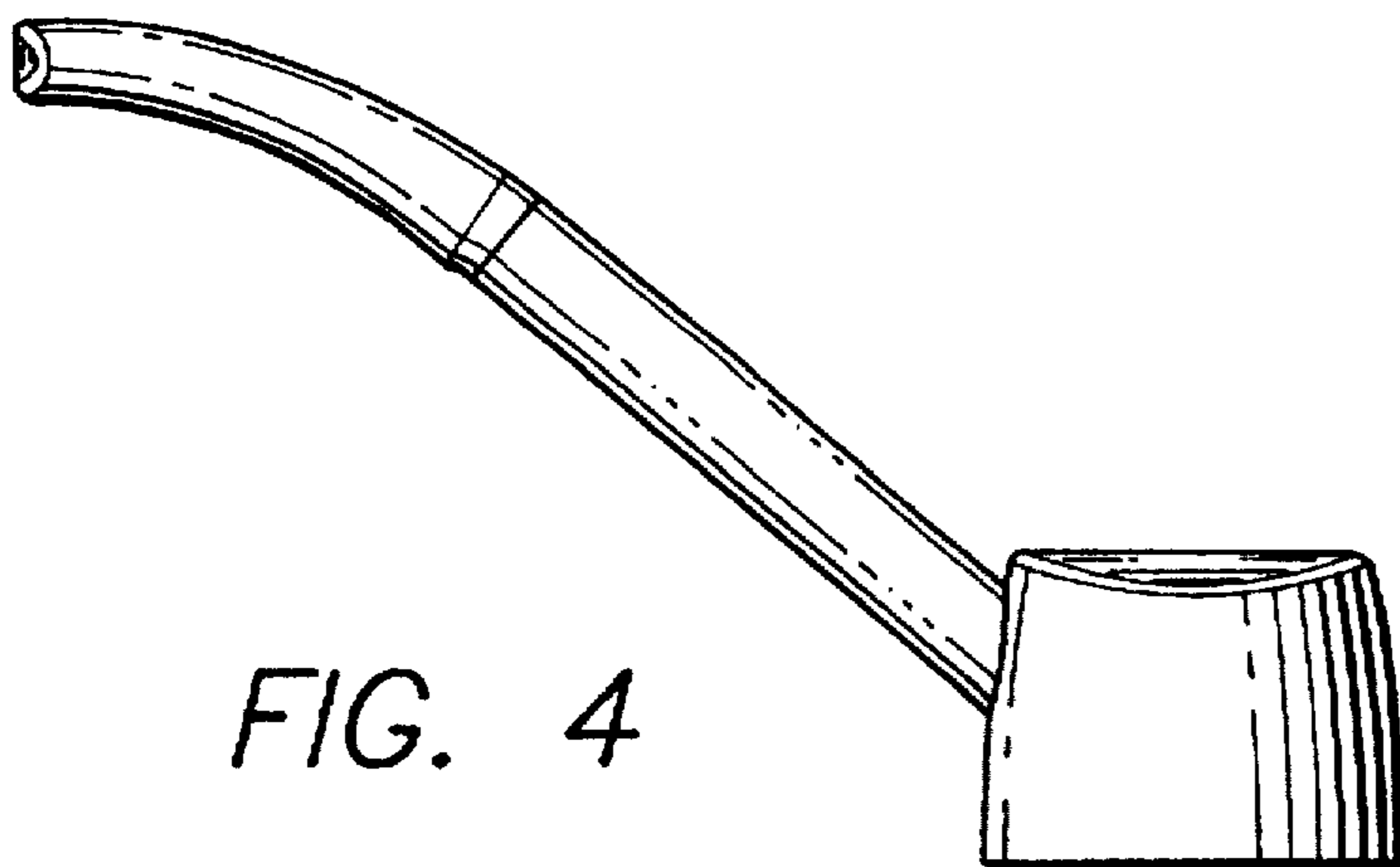


FIG. 4



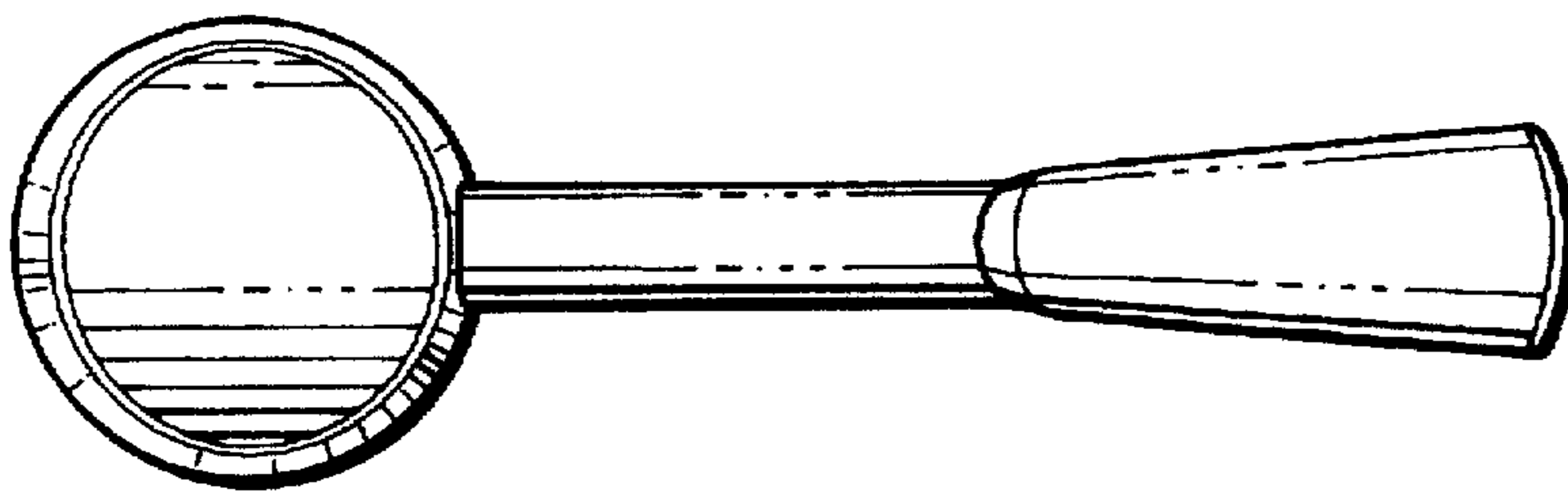
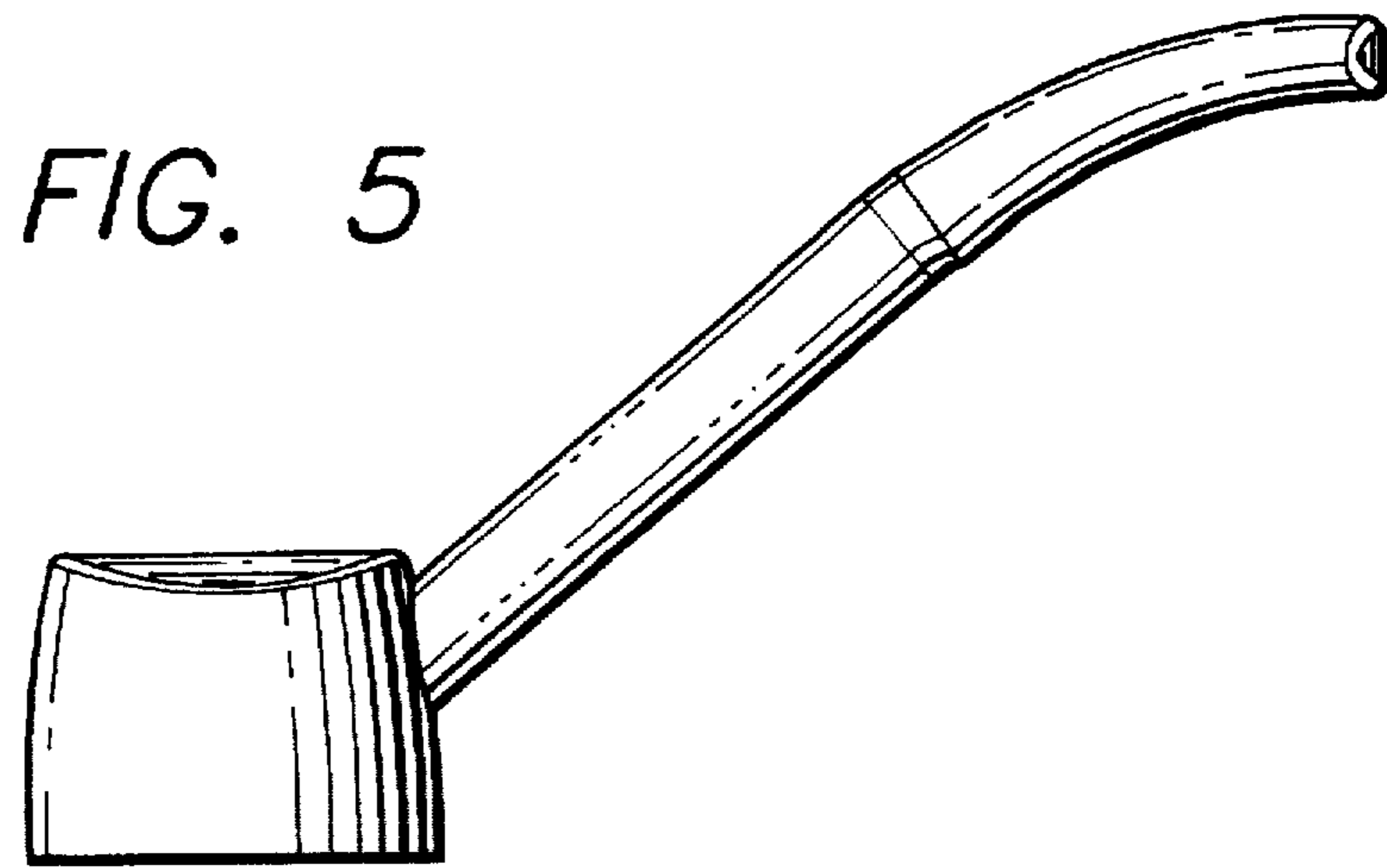


FIG. 6

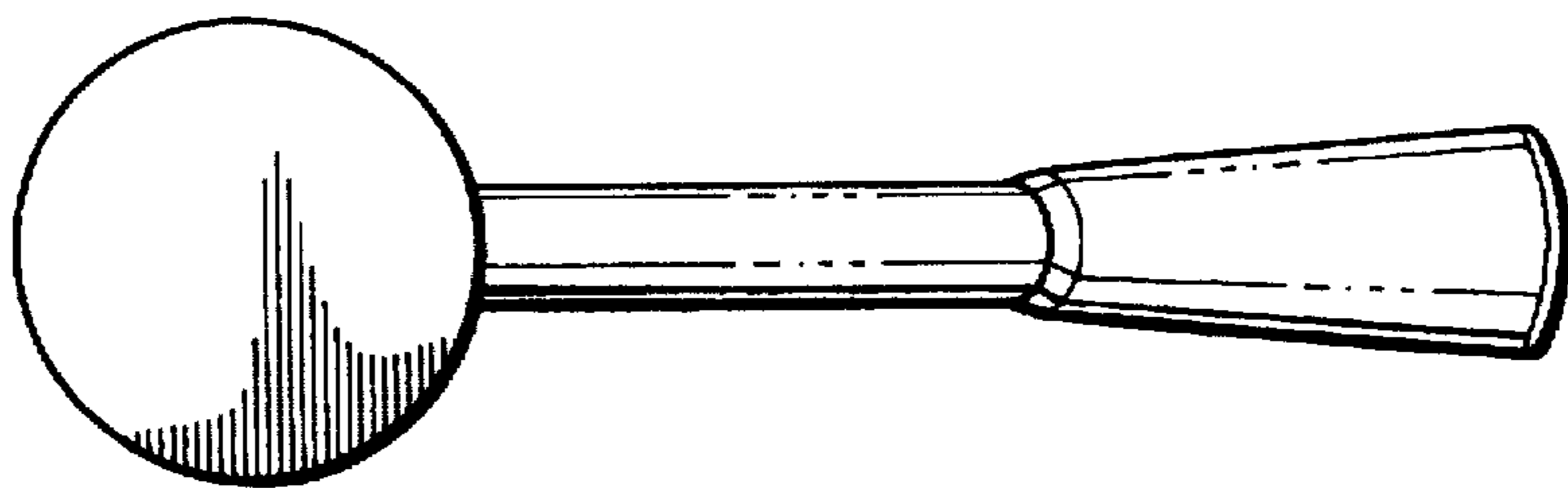


FIG. 7