

US00D392720S

United States Patent [19]
Doughty et al.

[11] **Patent Number: Des. 392,720**
[45] **Date of Patent: **Mar. 24, 1998**

[54] **HANDLE HUB**

[75] **Inventors: Frederic C. Doughty, South Pasadena; Darren M. Mark, Valencia, both of Calif.**

[73] **Assignee: Emhart Inc., Newark, Del.**

[**] **Term: 14 Years**

[21] **Appl. No.: 74,113**

[22] **Filed: Jul. 29, 1997**

[51] **LOC (6) Cl. 23-01**

[52] **U.S. Cl. D23/250**

[58] **Field of Search D23/250-257, D23/238-243; 4/675-678; 137/801; D8/300, 308, 310**

[56] **References Cited**

U.S. PATENT DOCUMENTS

D. 140,556	3/1945	Stanitz	D23/252
D. 254,147	2/1980	Colani	D23/252
D. 323,020	1/1992	Kolada	D23/250
D. 324,807	3/1992	Reid et al.	D23/250
D. 358,870	5/1995	Formgren	D23/250
D. 365,384	12/1995	Robbins	D23/252
D. 384,397	9/1997	Dougaty et al.	D23/241

Primary Examiner—Stella Reid
Assistant Examiner—Eric Watterson
Attorney, Agent, or Firm—Harold Weinstein

[57] **CLAIM**

The ornamental design for handle hub, as shown and described.

DESCRIPTION

FIG. 1 is a perspective view of our new design of the handle hub;

FIG. 2 is a right elevational view of our new design of the handle hub;

FIG. 3 is a left elevational view of our new design of the handle hub;

FIG. 4 is a front elevational view of our new design of the handle hub;

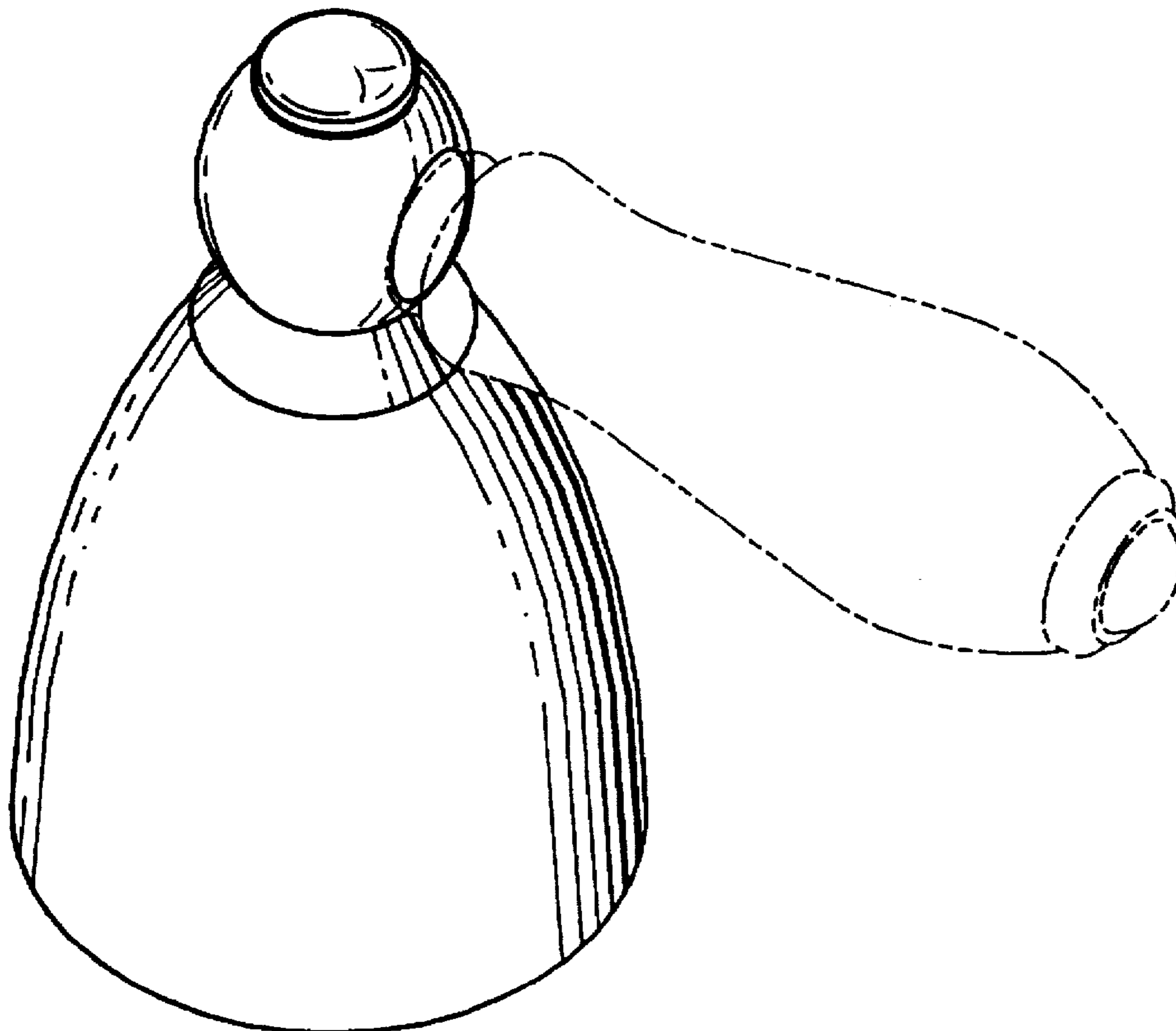
FIG. 5 is a rear elevational view of our new design of the handle hub;

FIG. 6 is a top plan view of our new design of the handle hub; and,

FIG. 7 is a bottom plan view of our new design of the handle hub.

The broken line showing is for illustrative purposes only and forms no part of the claimed design.

1 Claim, 3 Drawing Sheets



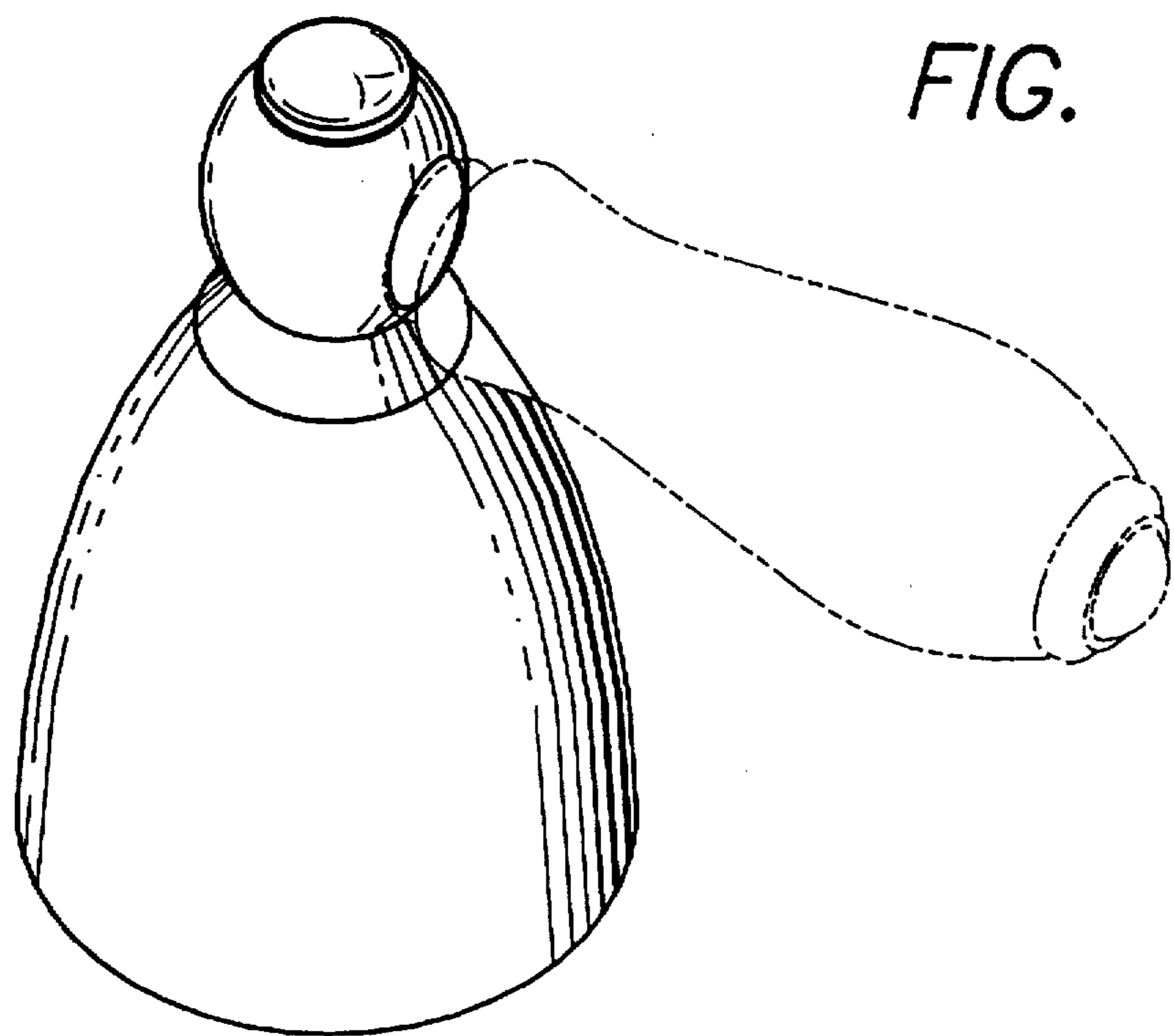


FIG. 1

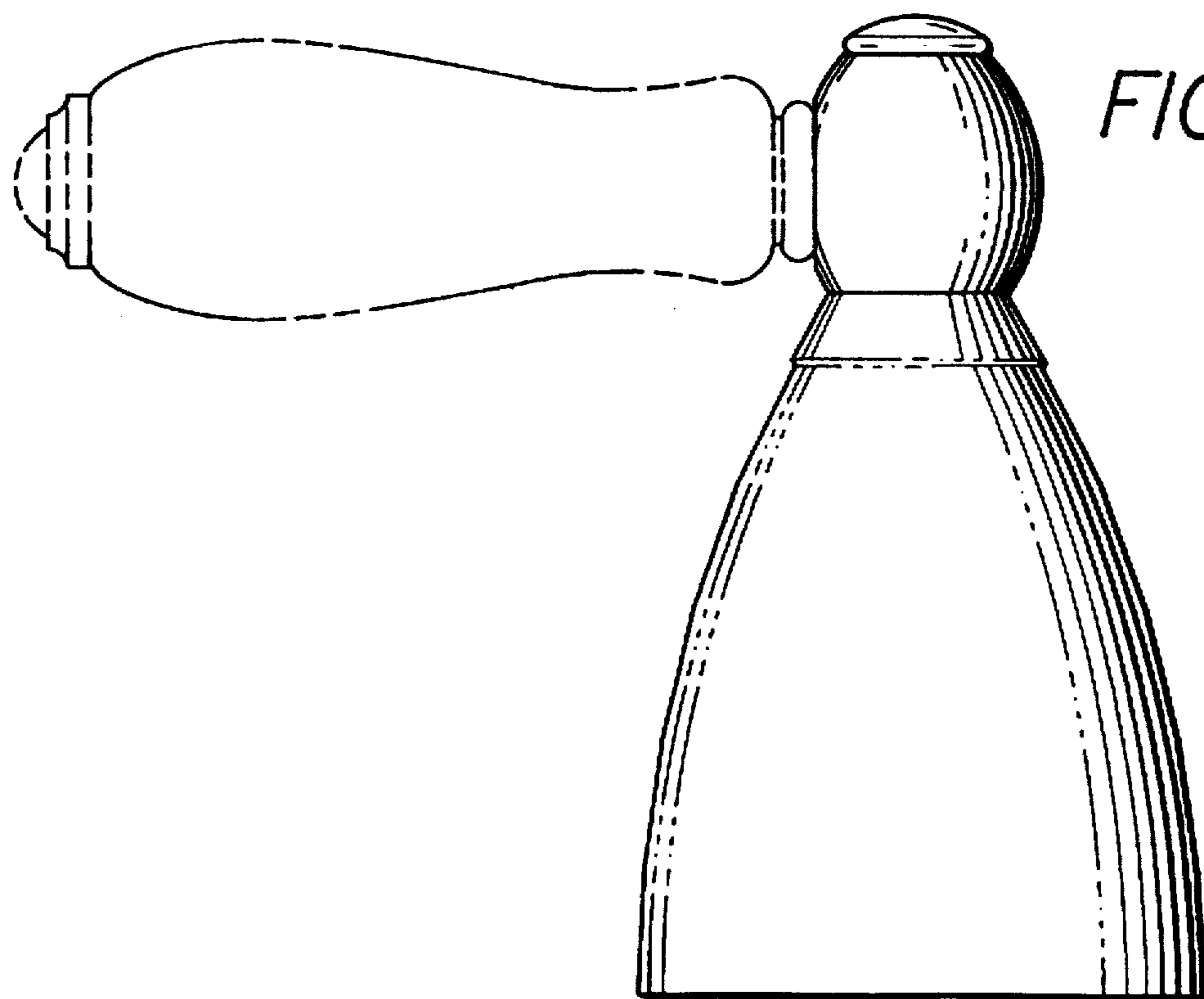


FIG. 2

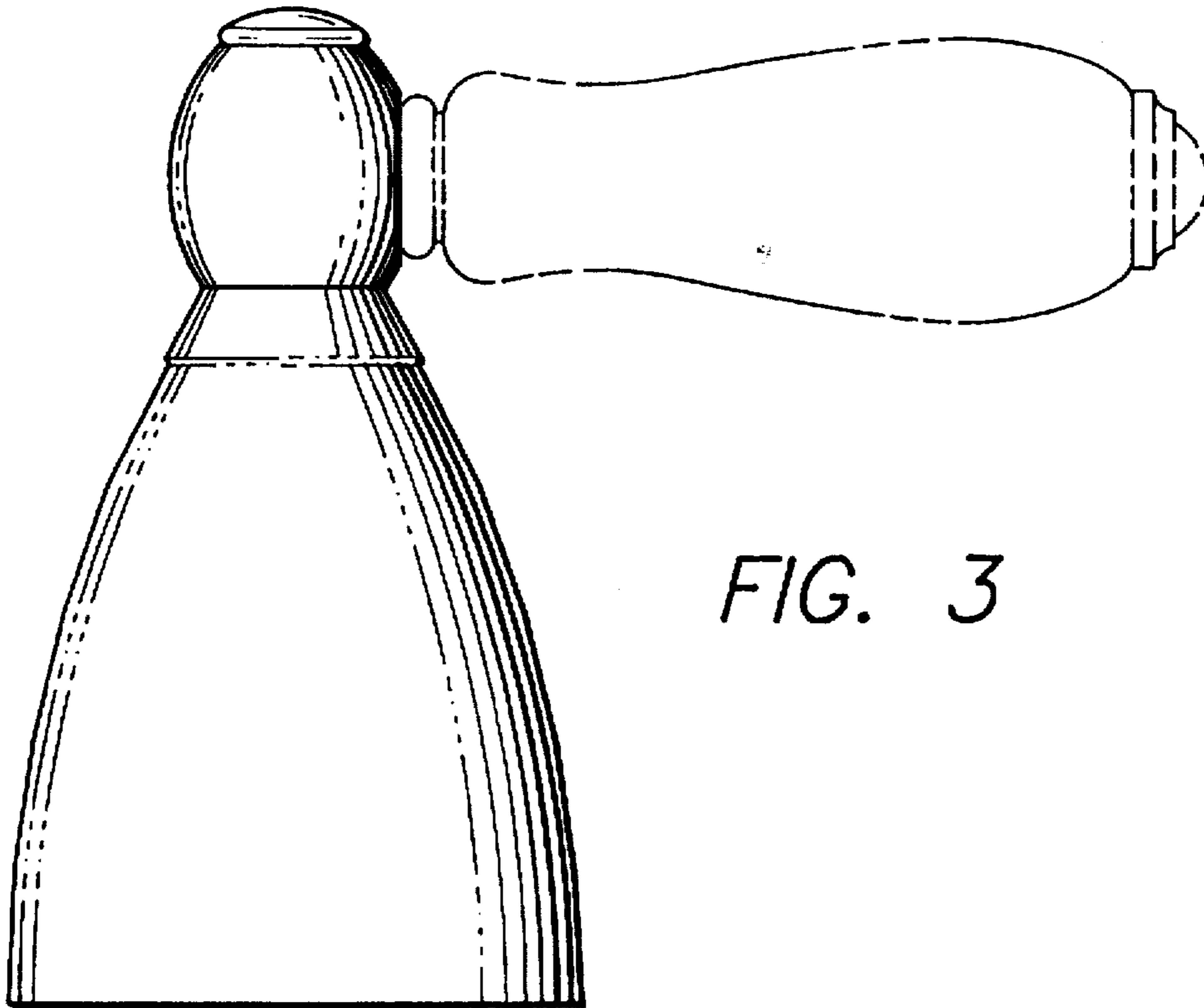
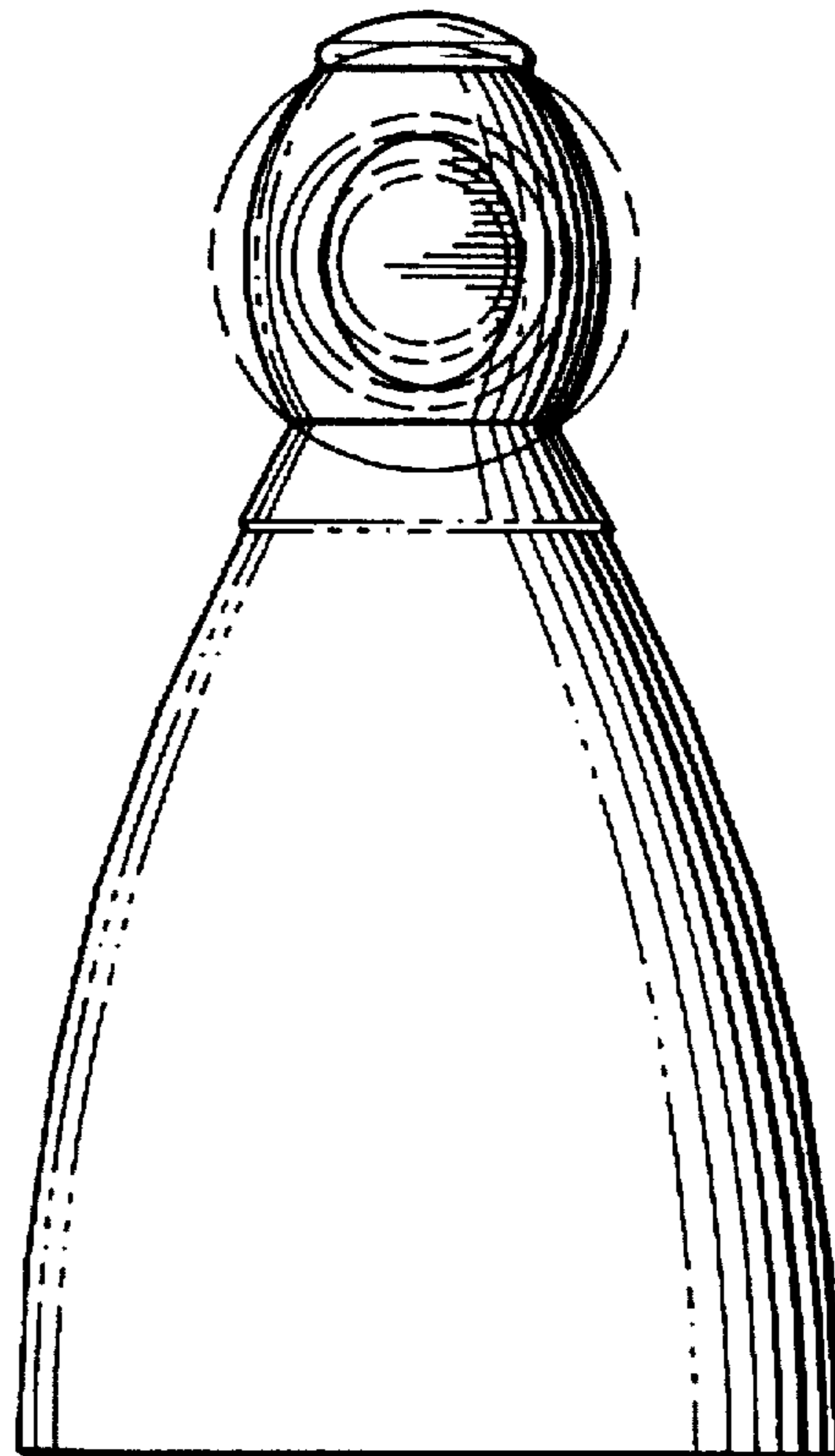


FIG. 3

FIG. 4



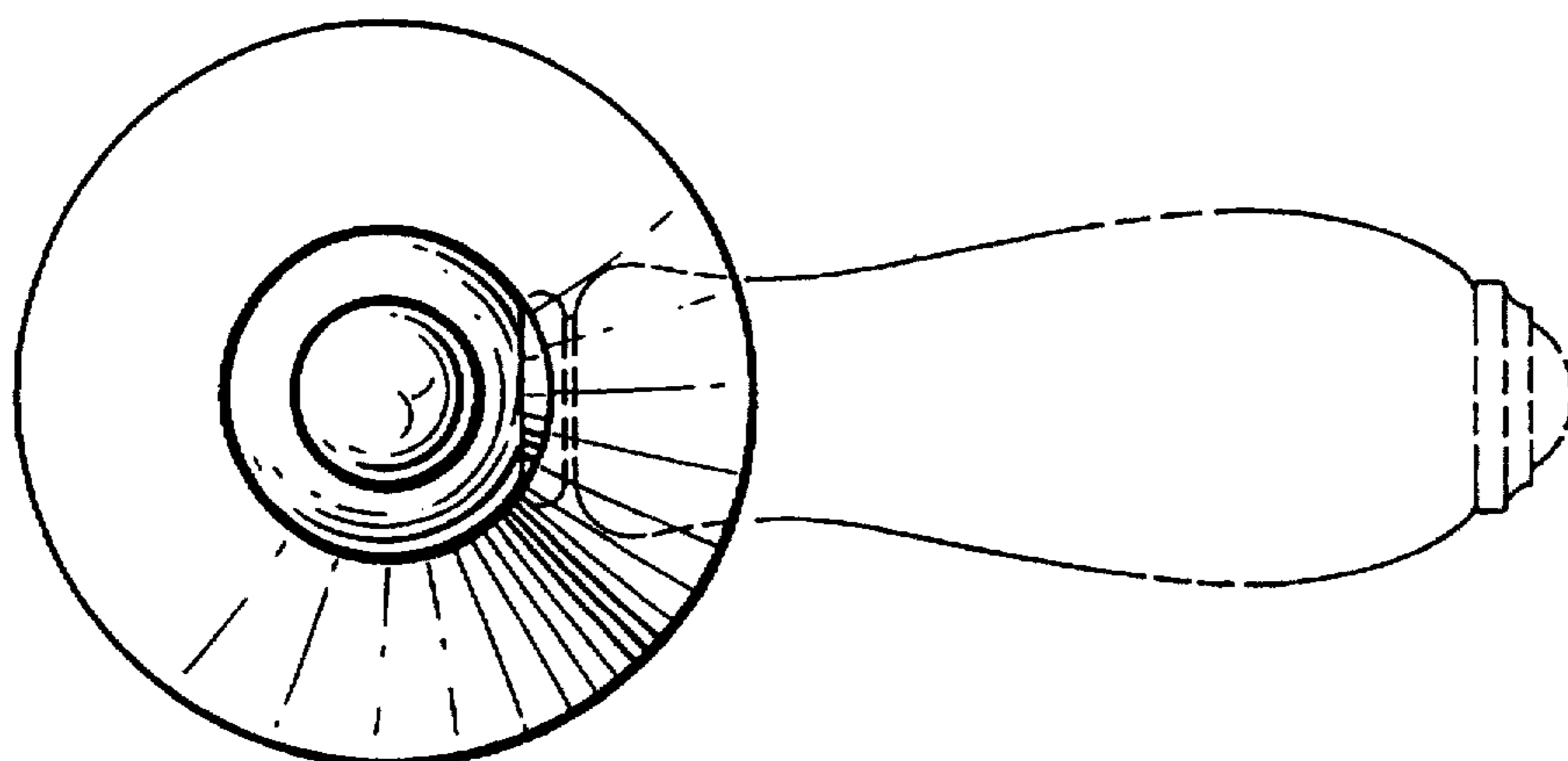


FIG. 6

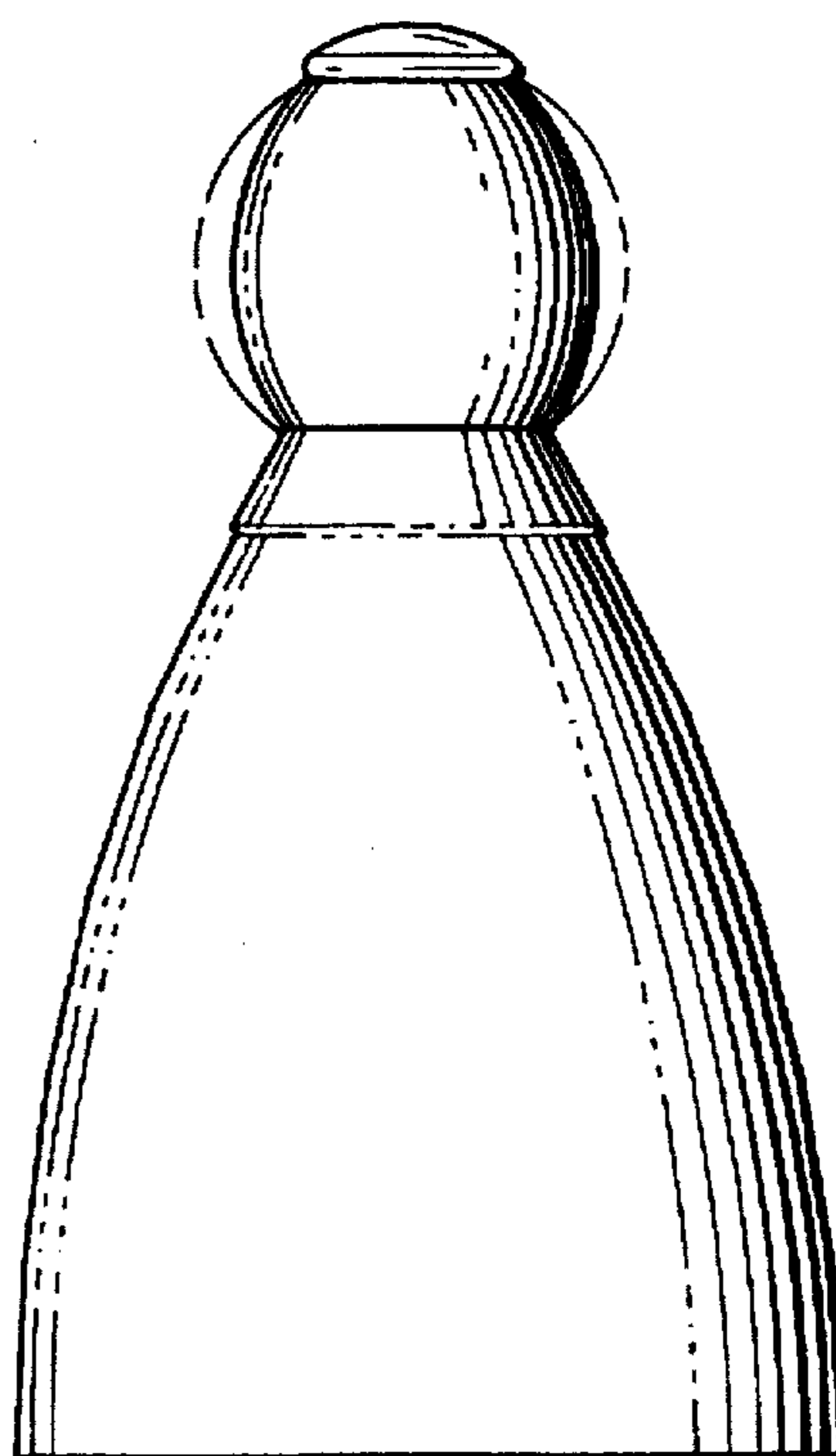


FIG. 5

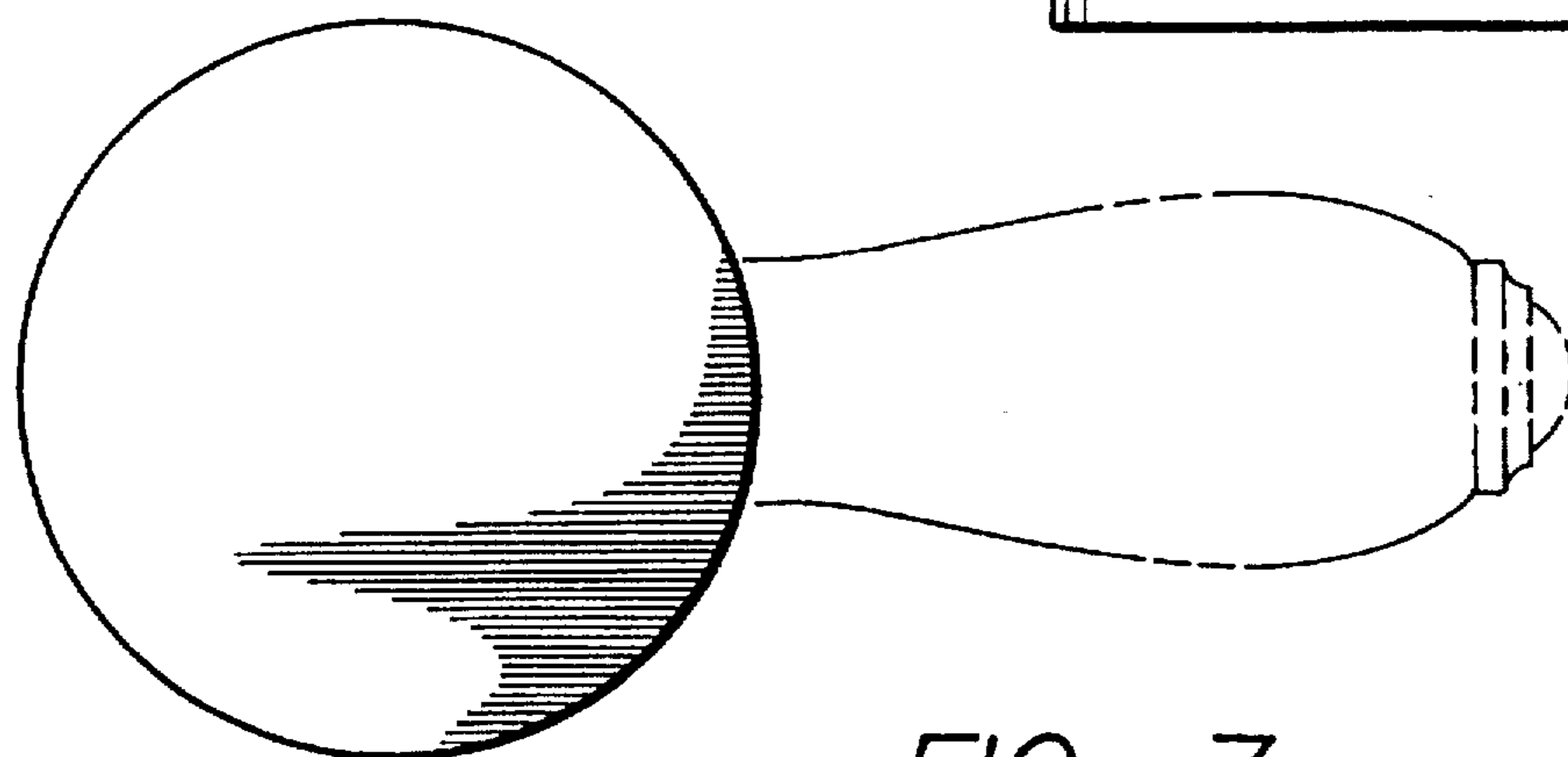


FIG. 7