



US00D392718S

United States Patent [19]

Huen

[11] Patent Number: Des. 392,718

[45] Date of Patent: **Mar. 24, 1998

[54] **HAND-HELD PULSATING SHOWER HEAD**

[75] Inventor: **Hing Wah Raico Huen**, Tortola, Virgin Islands (Br.)

[73] Assignee: **Oasis Global Limited**, Tortola, Virgin Islands (Br.)

[**] Term: **14 Years**

[21] Appl. No.: **71,137**

[22] Filed: **May 22, 1997**

[51] LOC (6) Cl. **23-01**

[52] U.S. Cl. **D23/223**

[58] Field of Search D23/213, 223-229; 239/394, 276, 459, 460, 525-528

[56] **References Cited**

U.S. PATENT DOCUMENTS

D. 32,064 9/1900 Presman D23/223
D. 328,634 8/1992 Ward D23/223

D. 351,453 10/1994 Huen D23/223
D. 366,309 1/1996 Huang D23/223
D. 367,696 3/1996 Andrus D23/223
5,551,637 9/1996 Lo 239/394

Primary Examiner—Alan P. Douglas
Assistant Examiner—Robin V. Taylor
Attorney, Agent, or Firm—Salter & Michaelson

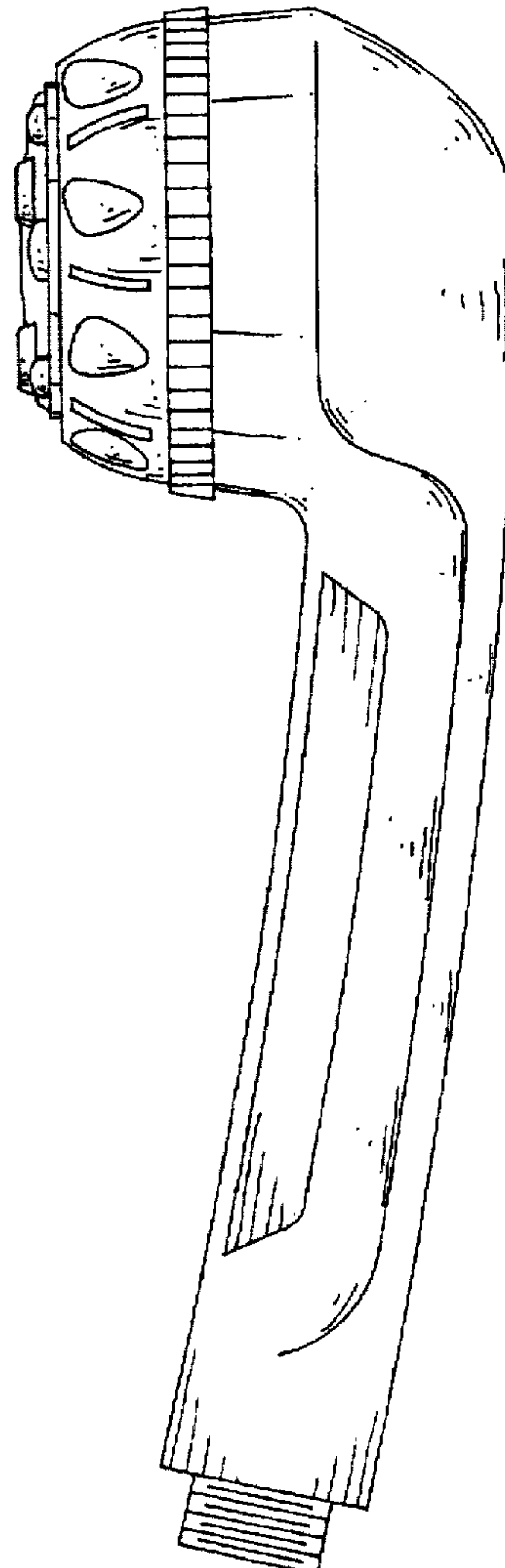
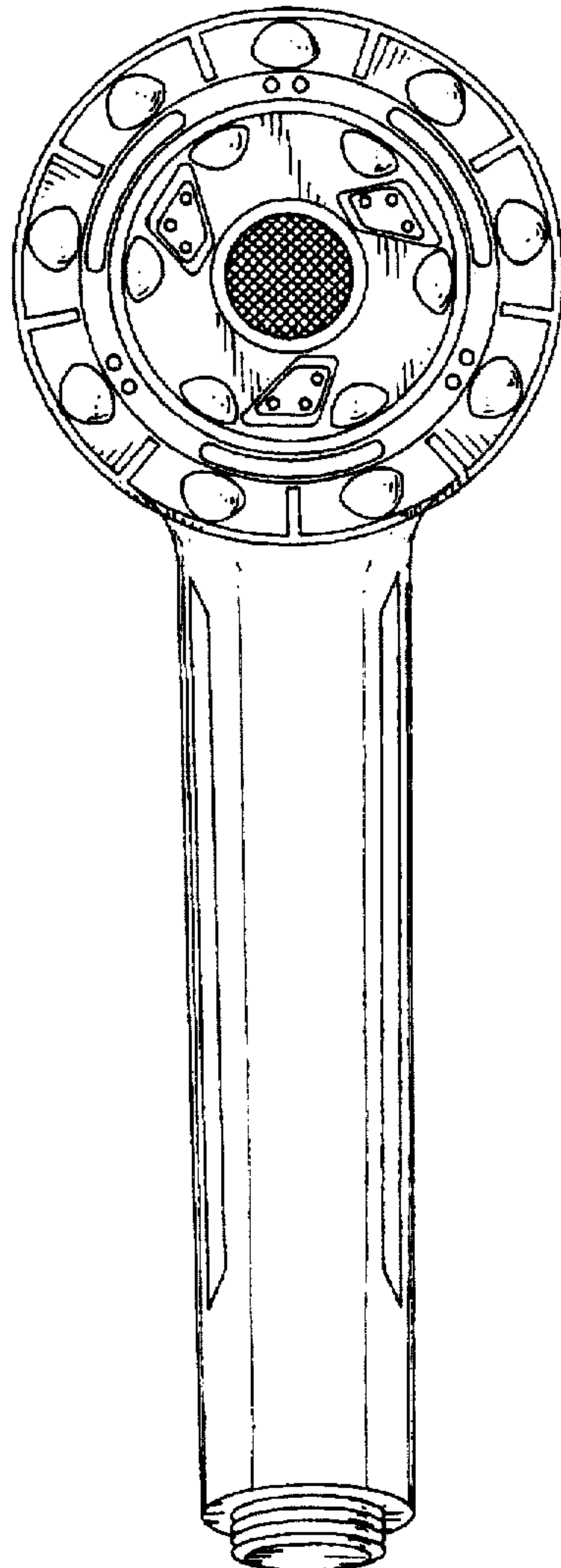
[57] **CLAIM**

The ornamental design for a hand-held pulsating shower head, as shown and described.

DESCRIPTION

FIG. 1 is a front elevational view for a hand-held pulsating shower head showing my new design; FIG. 2 is a rear elevational view thereof; FIG. 3 is a left side elevational view thereof; FIG. 4 is a right side elevational view thereof; FIG. 5 is a top plan view thereof; and, FIG. 6 is a bottom plan view thereof.

1 Claim, 2 Drawing Sheets



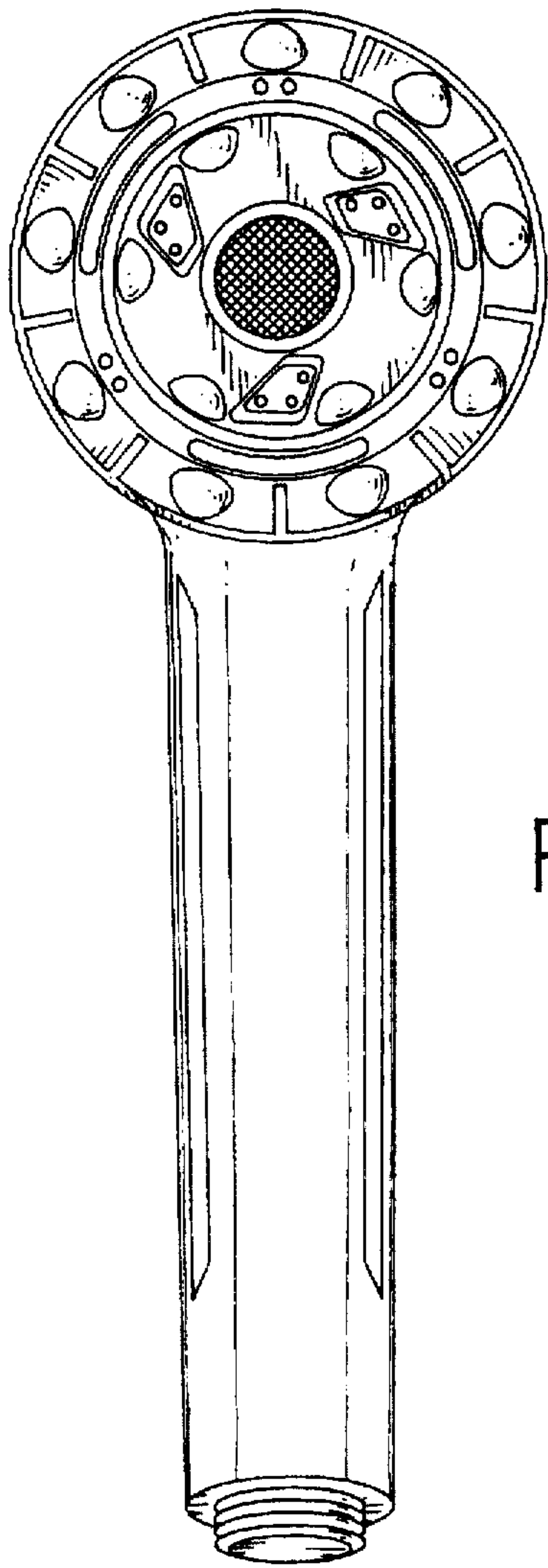


FIG. 1

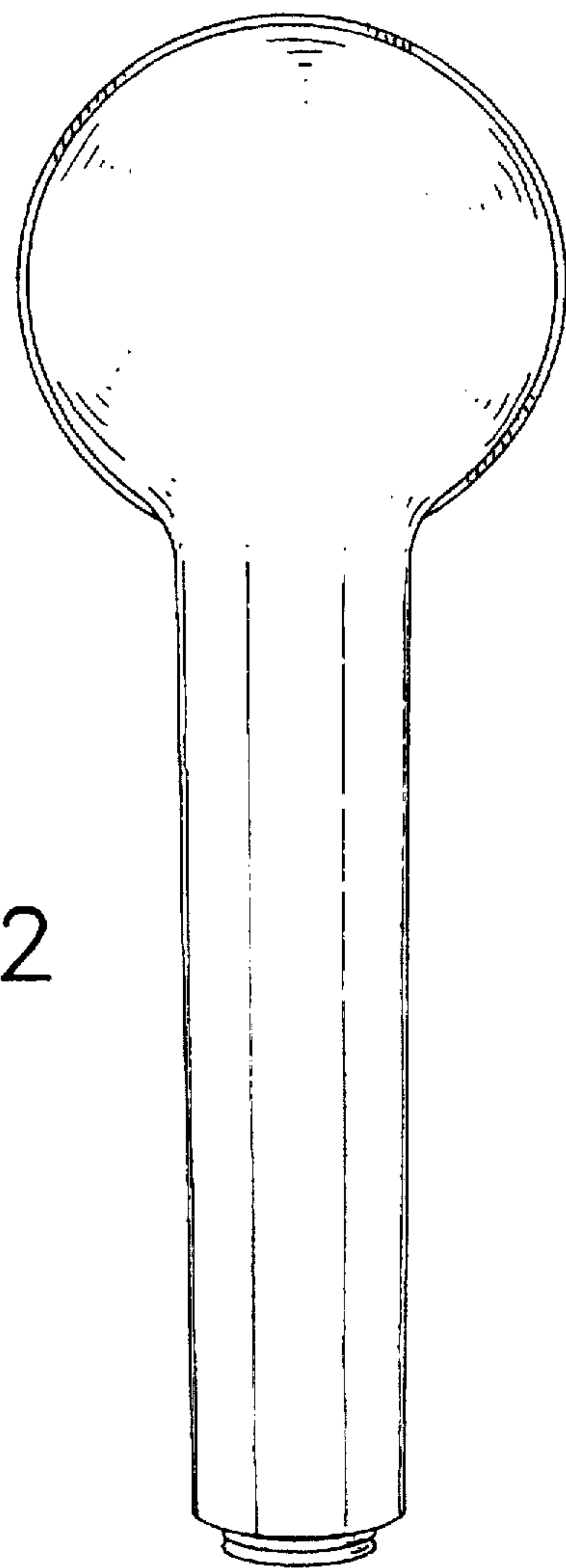


FIG. 2

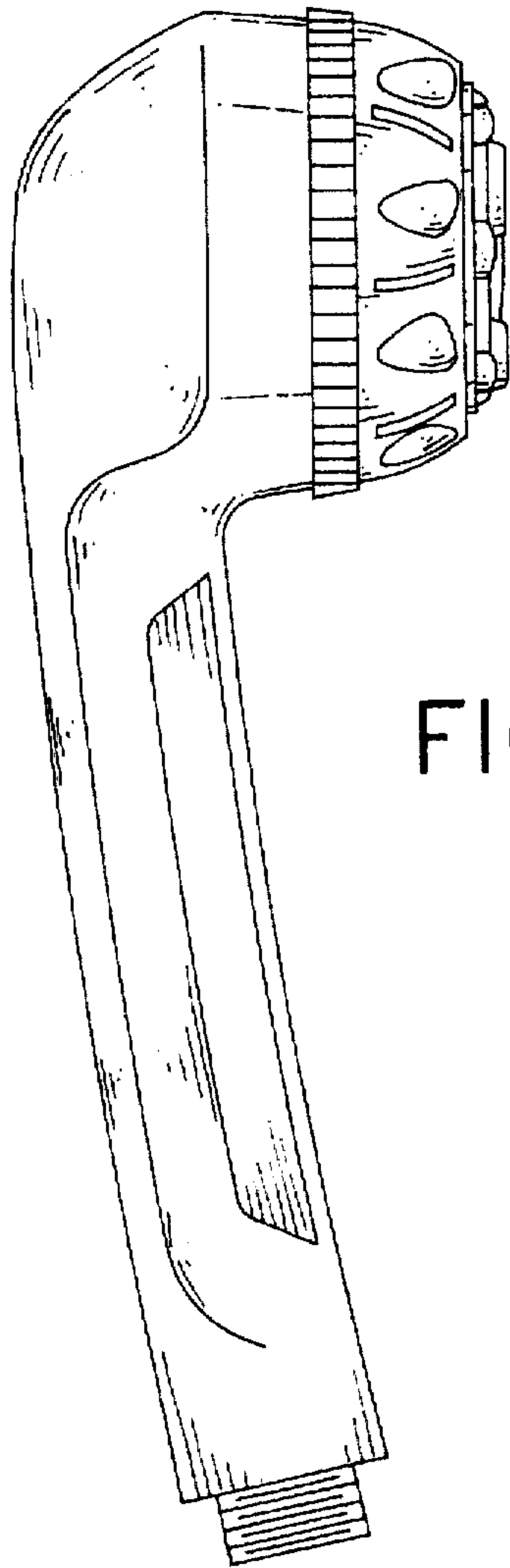


FIG. 3

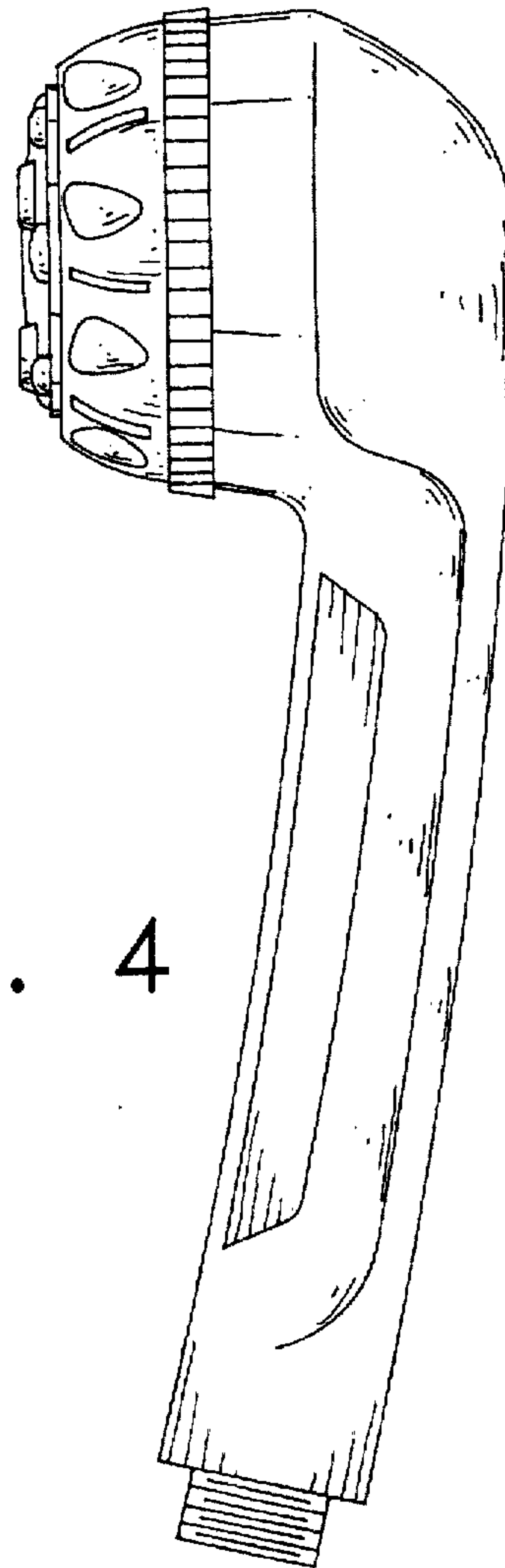


FIG. 4

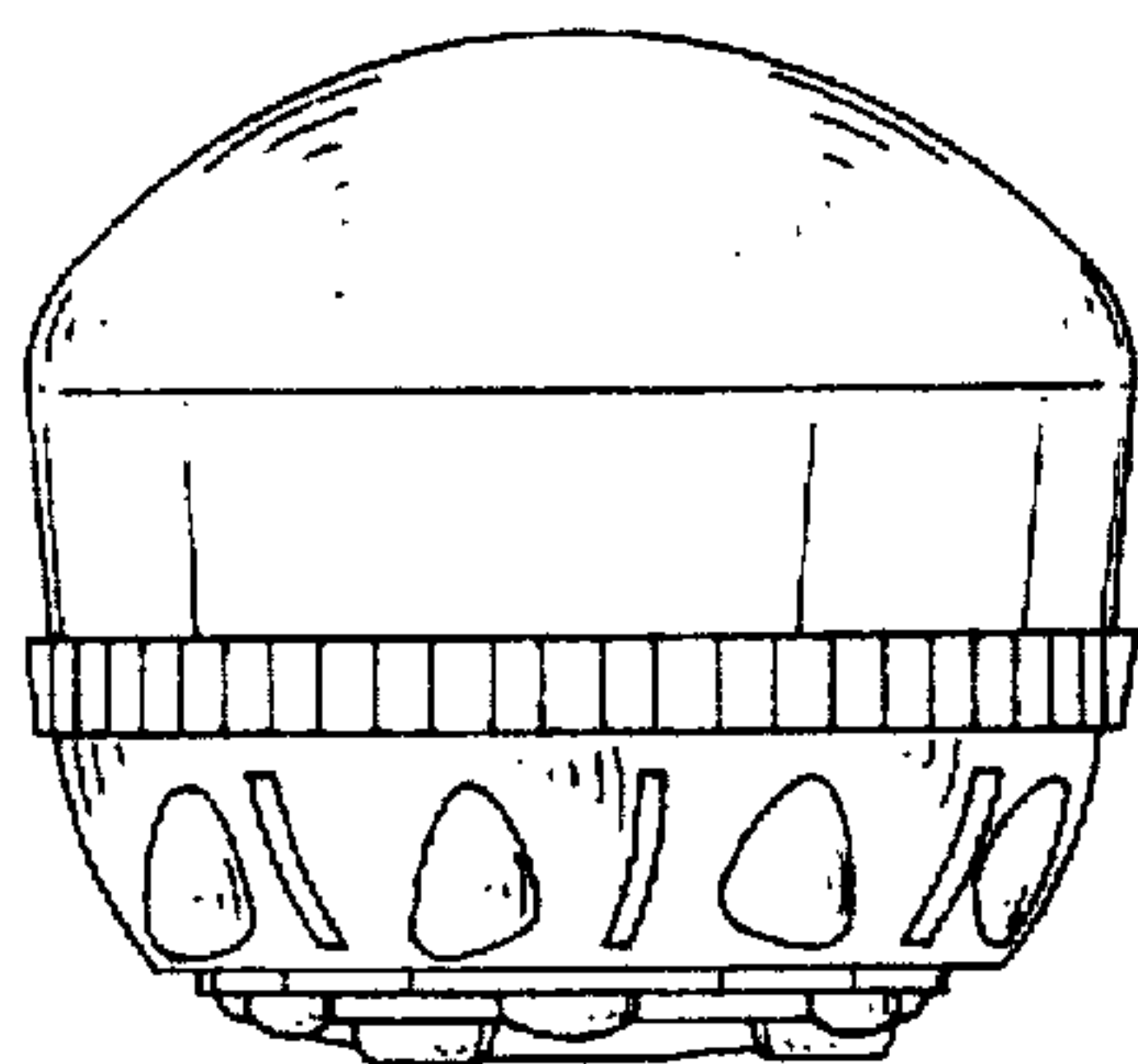


FIG. 5

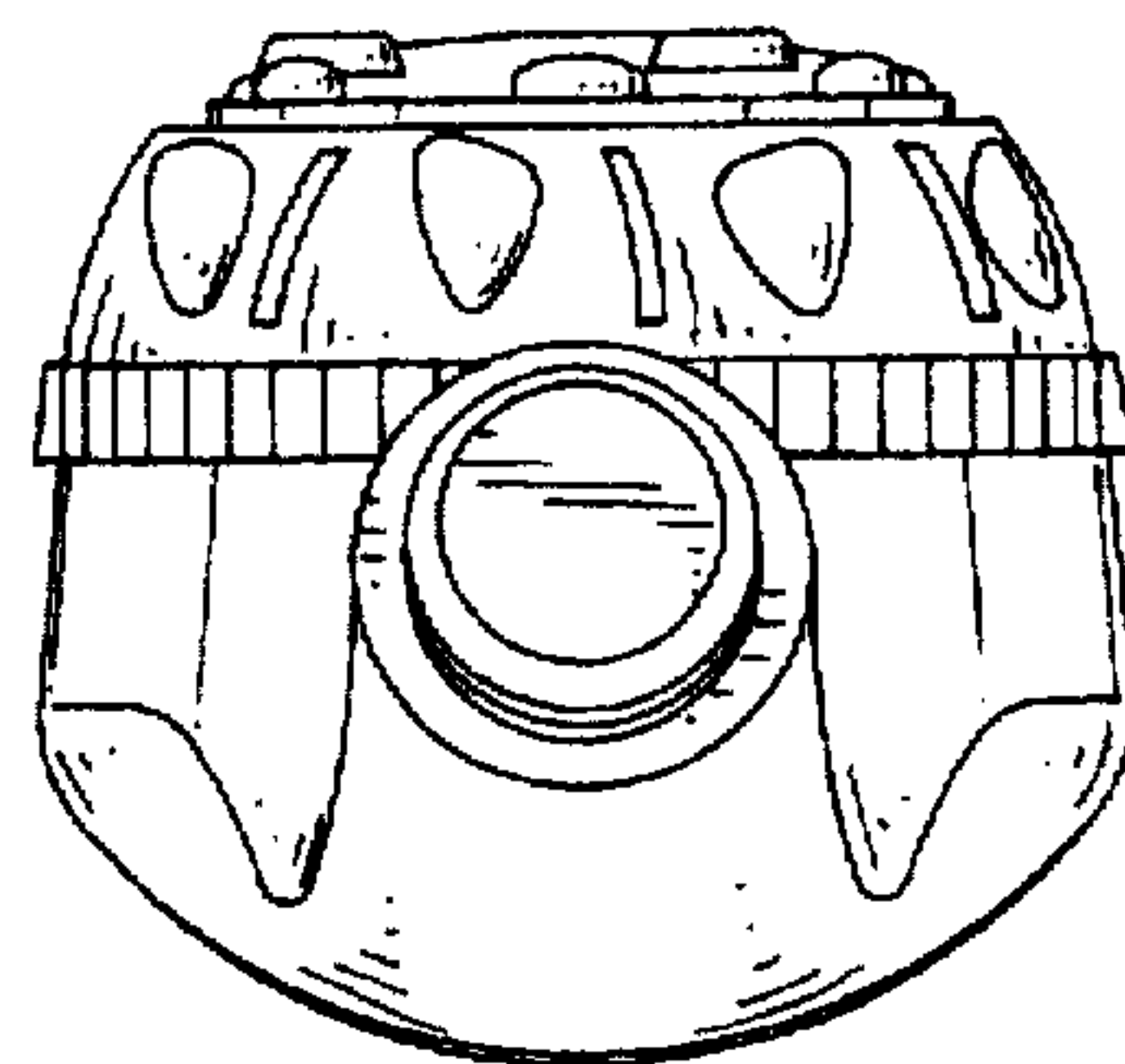


FIG. 6