



US00D392712S

# United States Patent [19]

**Hammans**

[11] **Patent Number: Des. 392,712**

[45] **Date of Patent: \*\*Mar. 24, 1998**

[54] **PIPE GUN**

[76] **Inventor: Joe A. Hammans, 4440 County Rd M  
1/2, Orland, Calif. 95963**

[\*\*] **Term: 14 Years**

[21] **Appl. No.: 45,534**

[22] **Filed: Oct. 23, 1995**

[51] **LOC (6) Cl. .... 22-01**

[52] **U.S. Cl. .... D22/100; D22/199**

[58] **Field of Search .... D22/100, 101,  
D22/103, 104, 108, 112, 199; D21/145,  
146, 147; 42/52, 74, 96; 89/1.7, 1.702,  
1.703, 1.704, 1.705, 1.706, 1.816, 19, 127**

[56] **References Cited**

**U.S. PATENT DOCUMENTS**

34,287 2/1862 Baker ..... 89/19 X  
D. 283,525 4/1986 Yano ..... D21/146 X

2,353,885 7/1944 Fanger et al. .... 42/74 X  
2,466,714 4/1949 Kroeger et al. .... 89/1.705 X  
2,480,328 8/1949 Johnston ..... 89/1.705  
3,916,759 11/1975 Jones et al. .... 89/1.816 X

*Primary Examiner*—Louis S. Zarfes  
*Assistant Examiner*—Monica A. Weingart  
*Attorney, Agent, or Firm*—Harold H. Dutton, Jr.

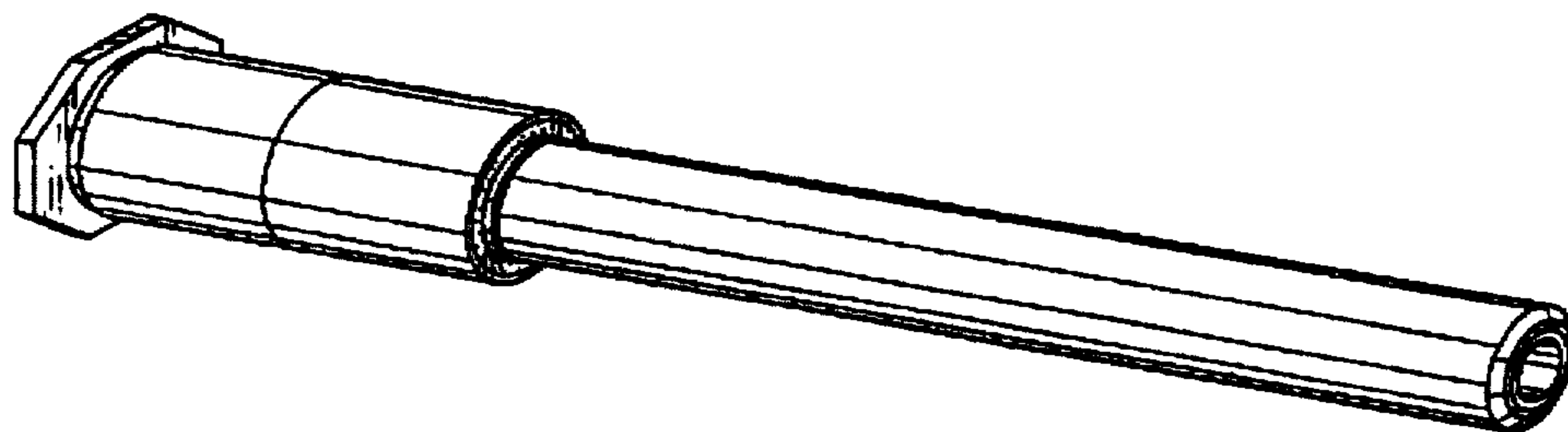
[57] **CLAIM**

The ornamental design for a pipe gun, as shown and described.

**DESCRIPTION**

FIG. 1 is a perspective view of a pipe gun showing my new design;  
FIG. 2 is a right side view thereof; The left side is a mirror image of the right side;  
FIG. 3 is a top view thereof; and,  
FIG. 4 is a bottom view thereof.

**1 Claim, 2 Drawing Sheets**



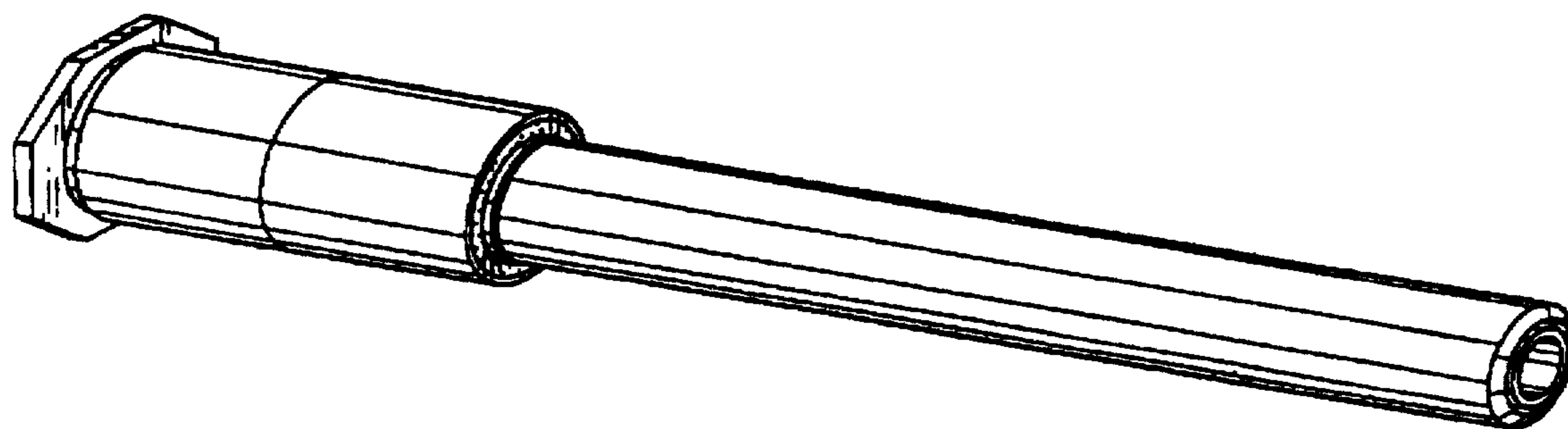


FIG. 1

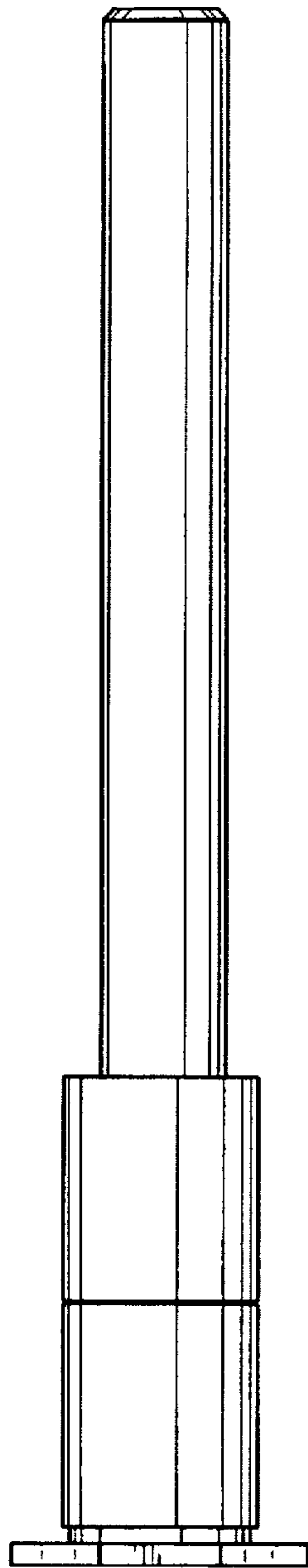


FIG. 2

FIG. 3

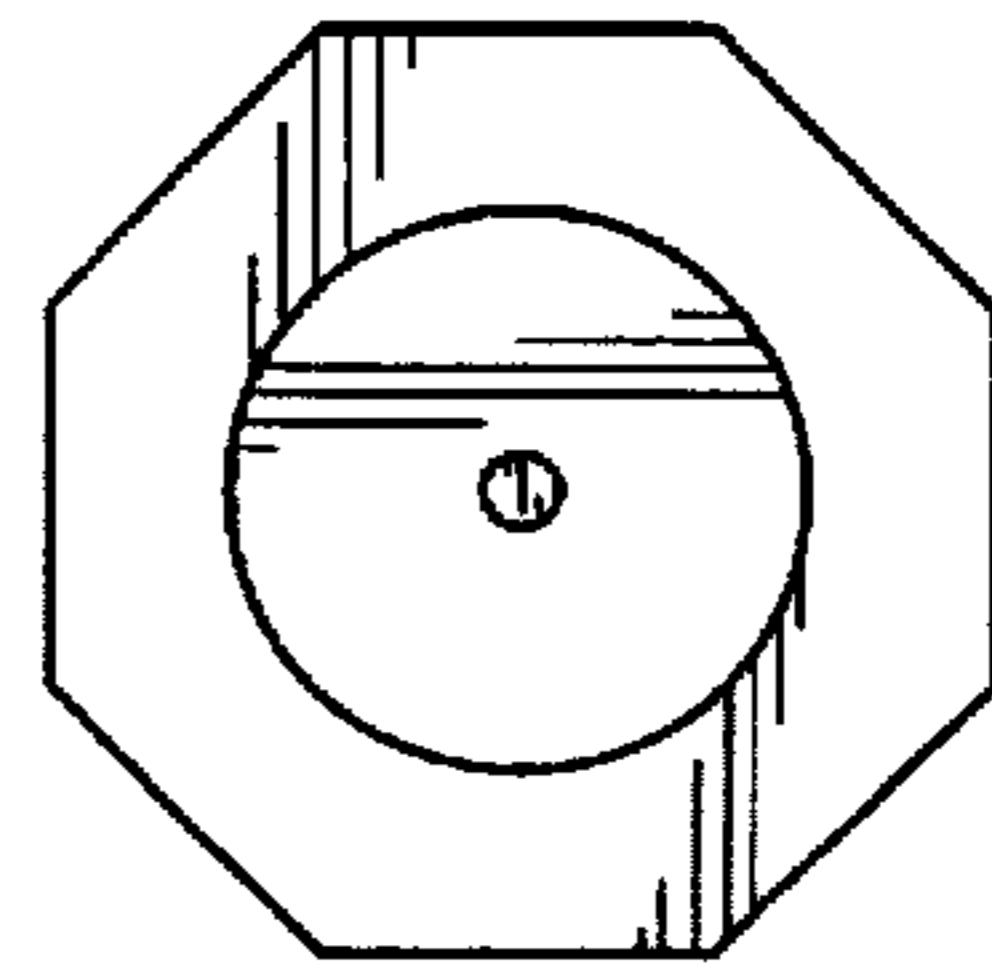
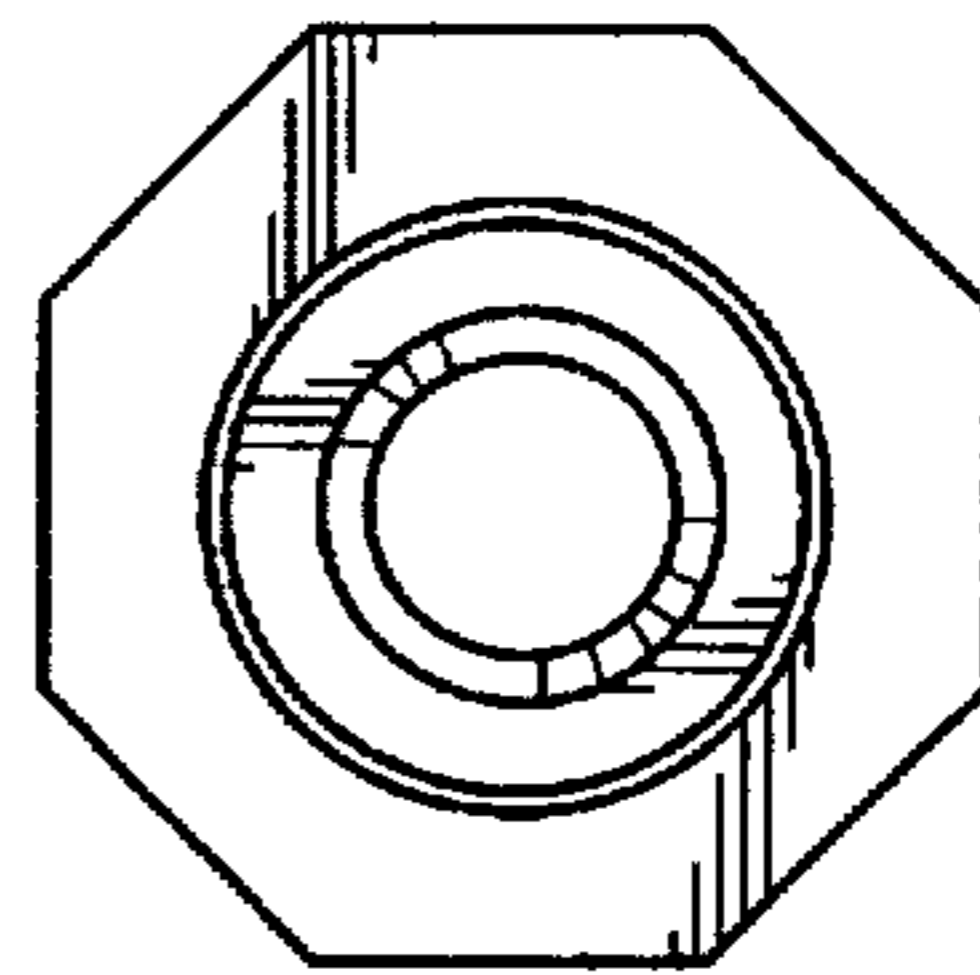


FIG. 4