



US00D392708S

United States Patent [19]

Monson

[11] Patent Number: Des. 392,708

[45] Date of Patent: **Mar. 24, 1998

[54] **SITTING DEVICE FOR A GOLF PUTTER**

[76] Inventor: **Robert J. Monson**, 1027 Brenner Ave.,
St. Paul, Minn. 55113

[**] Term: **14 Years**

[21] Appl. No.: **63,647**

[22] Filed: **Dec. 12, 1996**

[51] LOC (6) Cl. **21-02**

[52] U.S. Cl. **D21/221; D21/217**

[58] Field of Search **D21/217-219,
D21/221; 473/251-256, 340, 341**

[56] **References Cited**

U.S. PATENT DOCUMENTS

D. 233,535	11/1974	Karban	D21/219 X
D. 245,439	8/1977	Thiel	D21/219
D. 336,321	6/1993	Gerritzen	D21/219
D. 354,536	1/1995	Hazelton	D21/219
D. 364,433	11/1995	Chiuminata et al.	D21/219

Primary Examiner—Raphael Barkai
Assistant Examiner—Mitchell I. Siegel
Attorney, Agent, or Firm—Dwight N. Holmbo

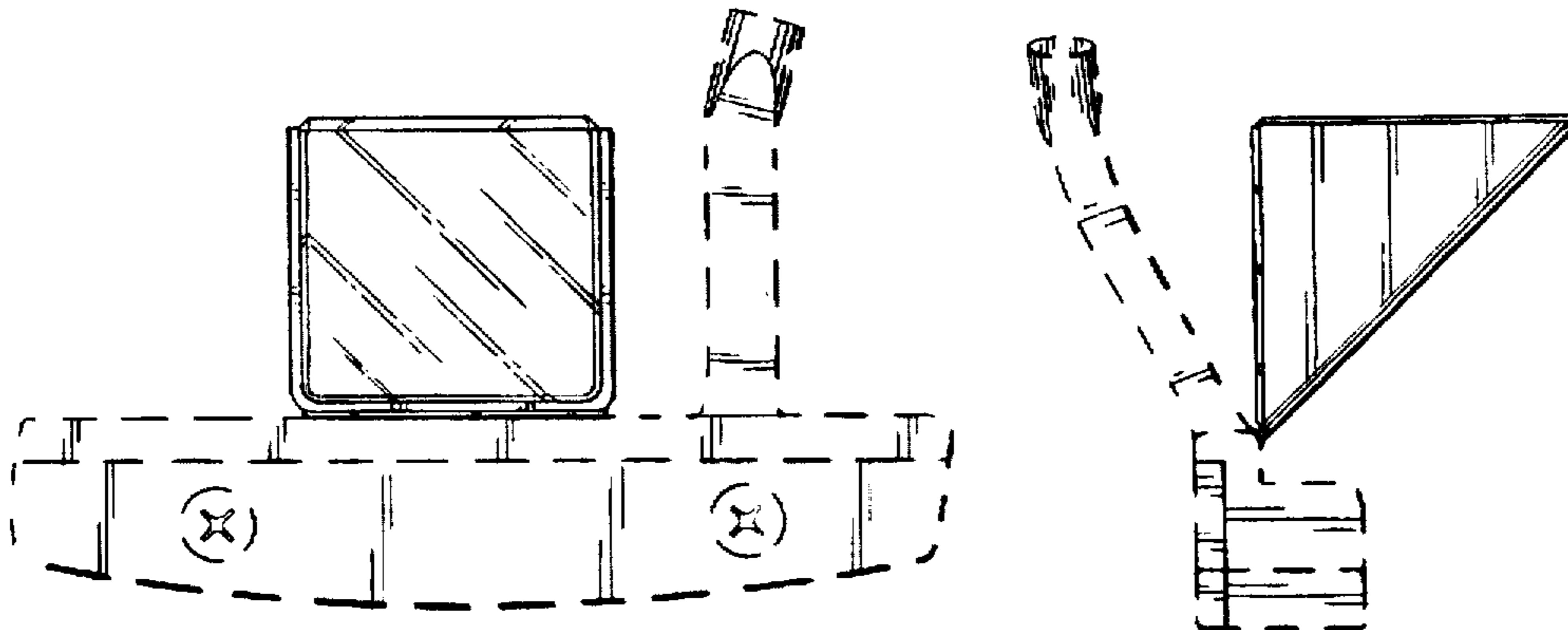
[57] **CLAIM**

The ornamental design for a sitting device for a golf putter, as shown and described.

DESCRIPTION

FIG. 1 is a front elevational view of a sitting device for a golf putter showing my new design;
FIG. 2 is a rear elevational view thereof;
FIG. 3 is a left side elevational view thereof;
FIG. 4 is a right side elevational view thereof;
FIG. 5 is a top plan view thereof;
FIG. 6 is a bottom plan view thereof;
FIG. 7 is a front elevational view of a second embodiment of the sitting device for a golf putter as disclosed in FIG. 1;
FIG. 8 is a rear elevational view of FIG. 7;
FIG. 9 is a left side elevational view of FIG. 7;
FIG. 10 is a right side elevational view of FIG. 7;
FIG. 11 is a top plan view of FIG. 7; and,
FIG. 12 is a bottom plan view of FIG. 7.
The broken line showing of a golf club head is for illustrative purposes only and forms no part of the claimed design.

1 Claim, 6 Drawing Sheets



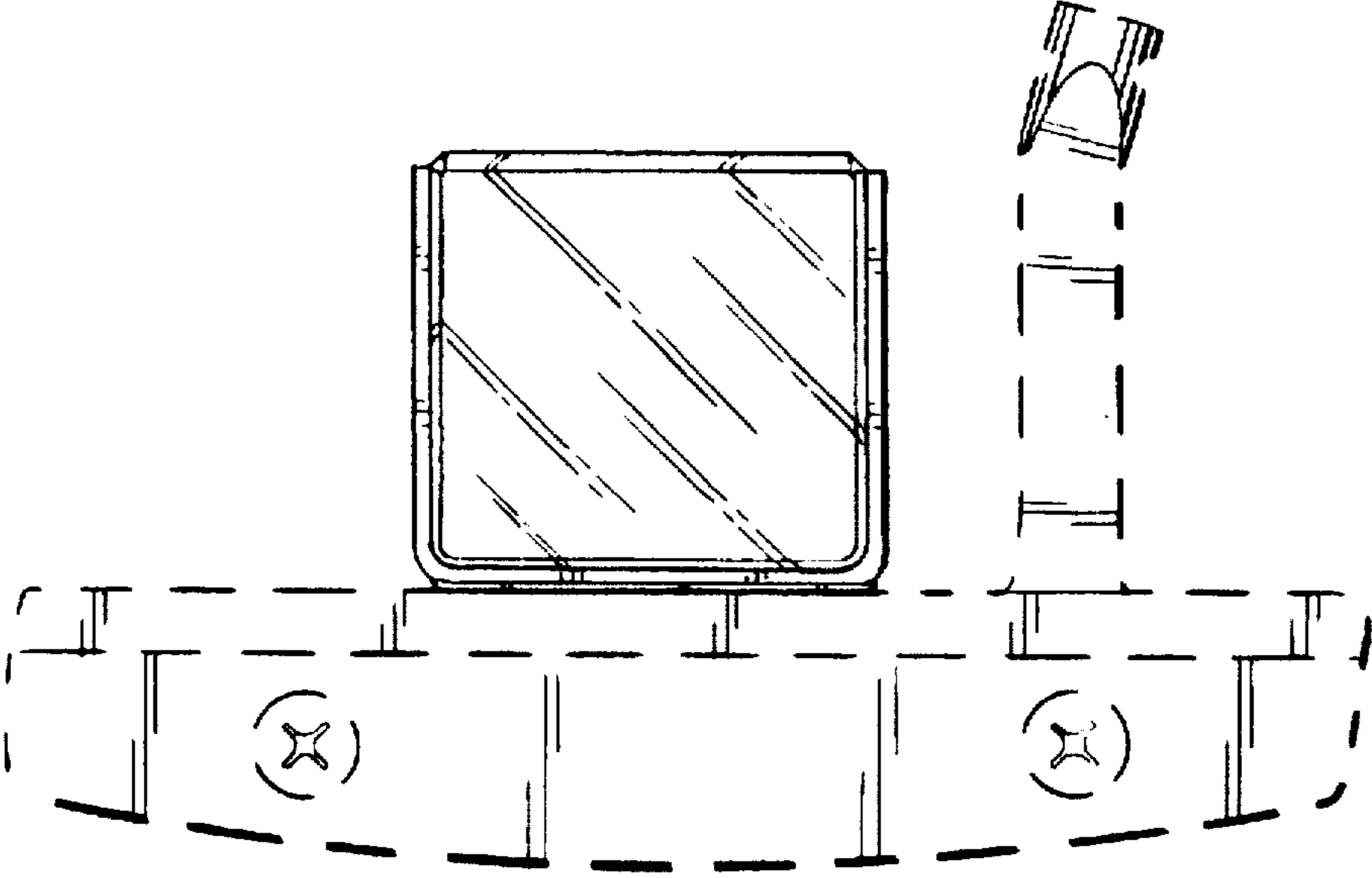


FIG. 1

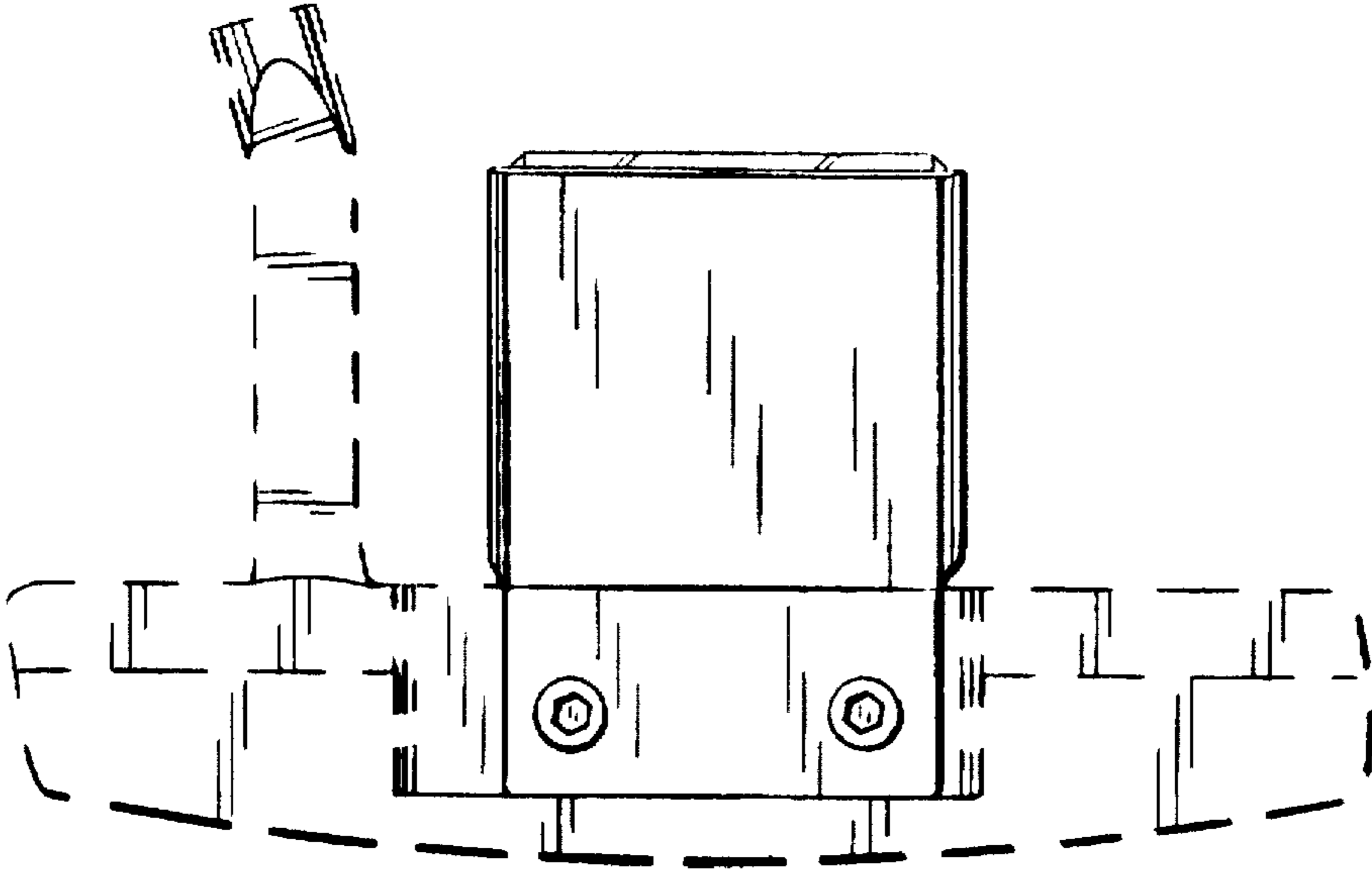


FIG. 2

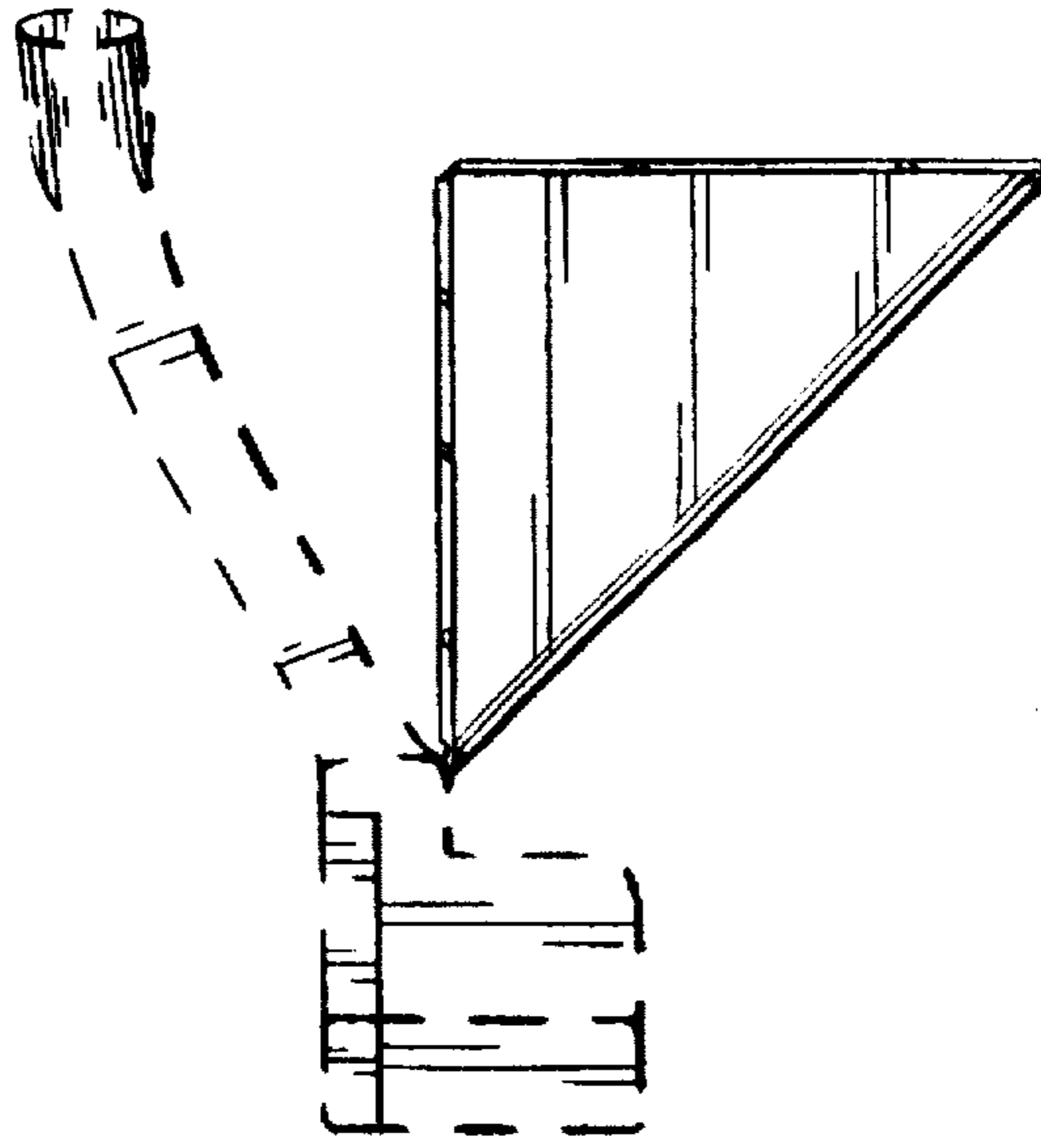


FIG. 3

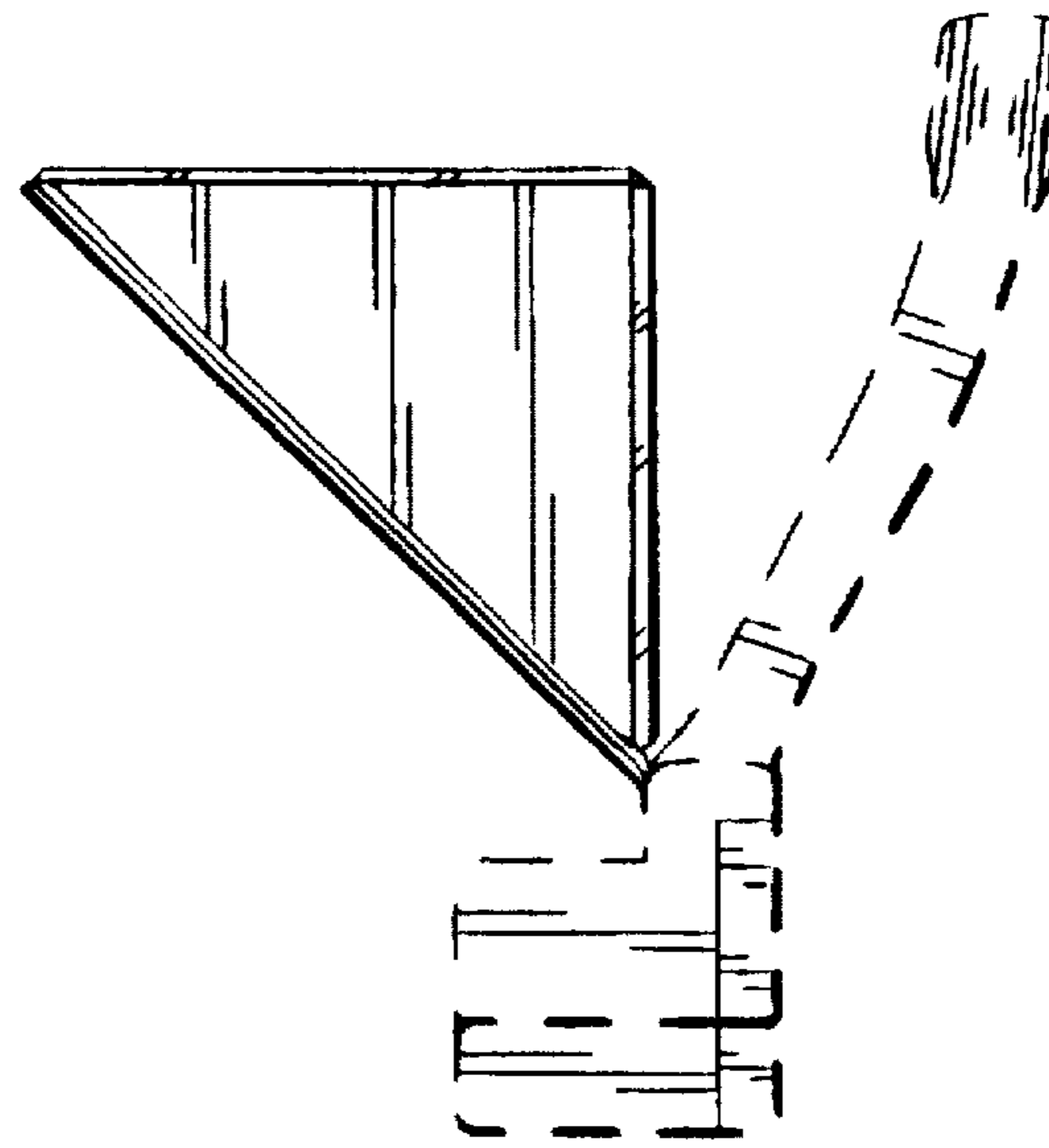


FIG. 4

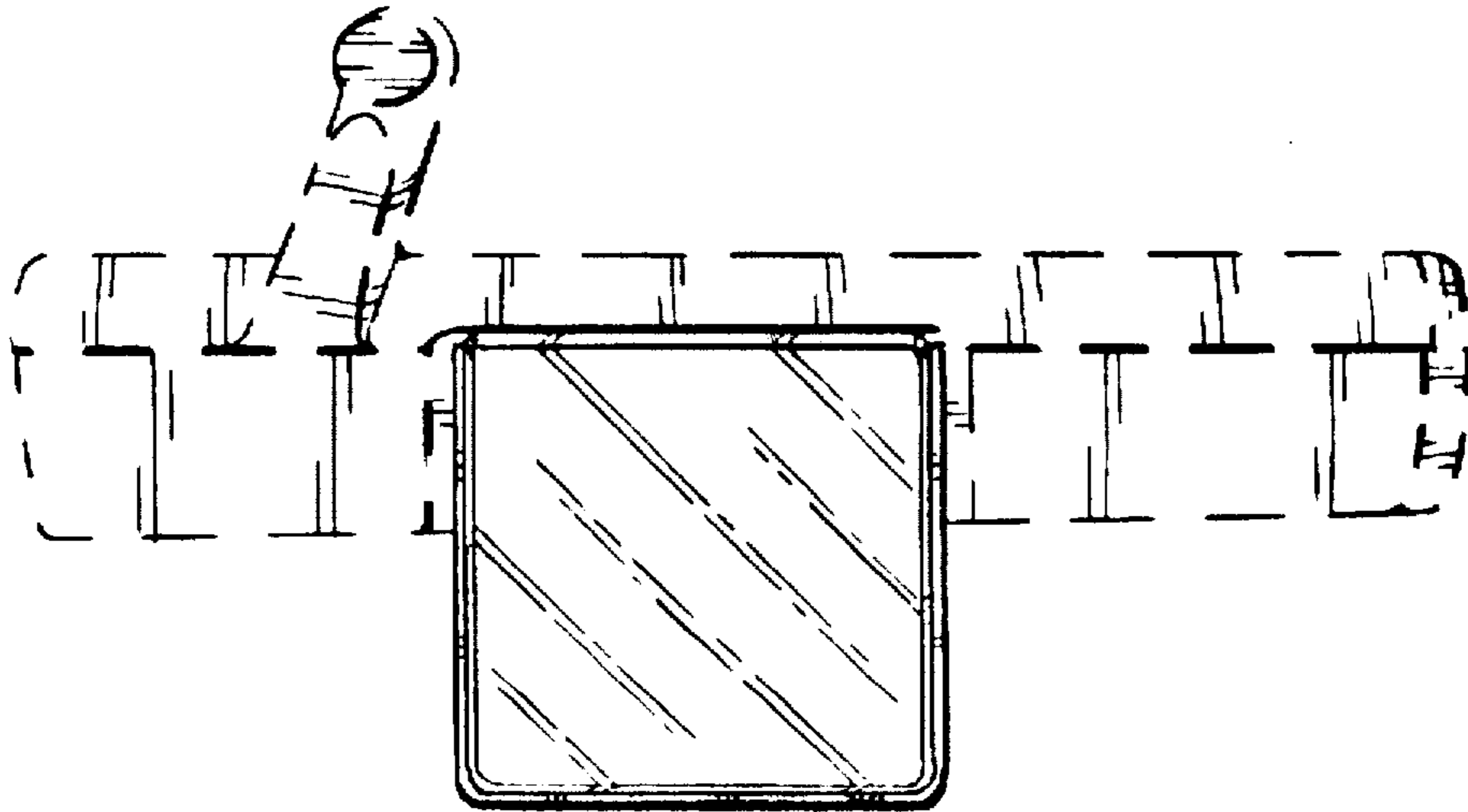


FIG. 5

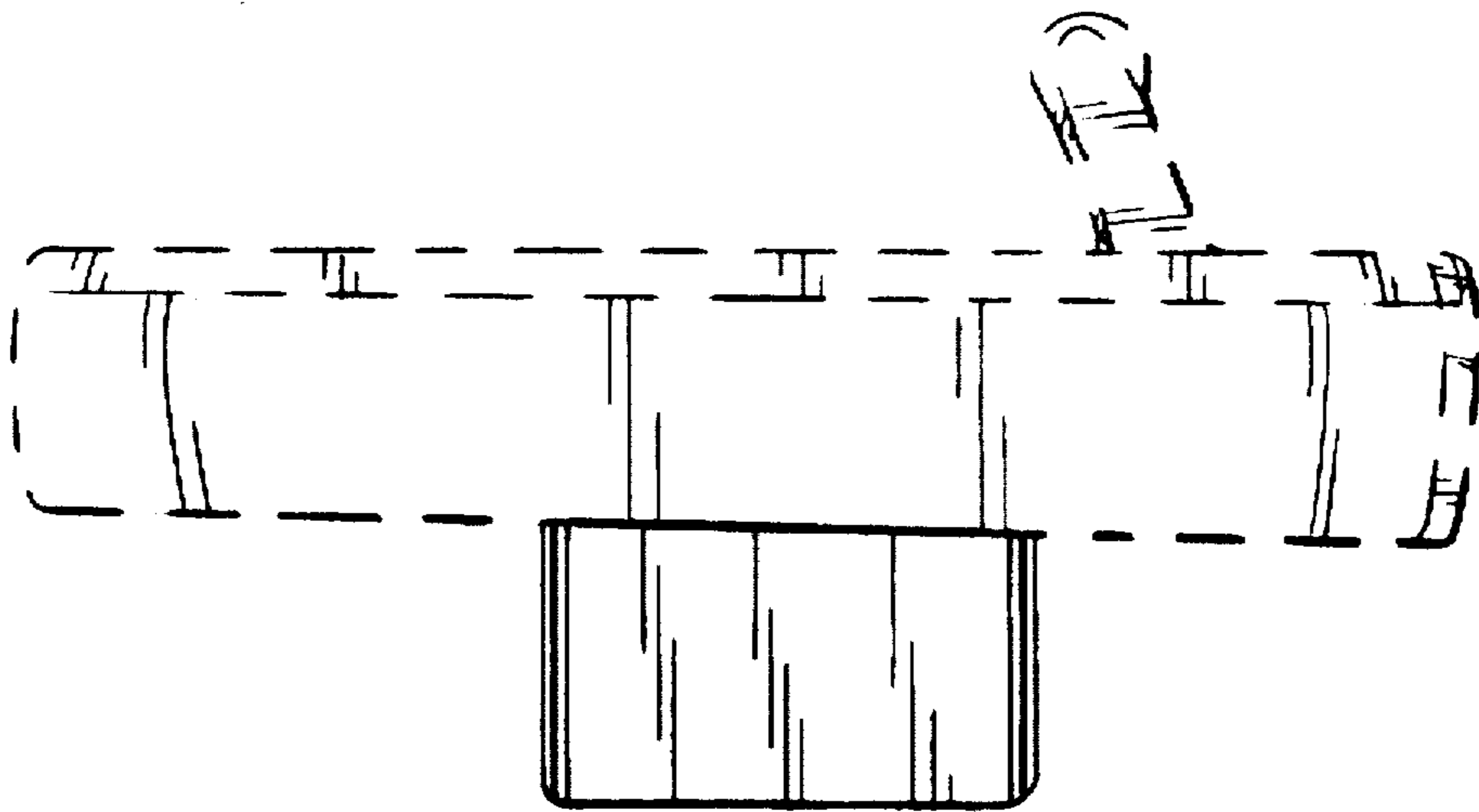


FIG. 6

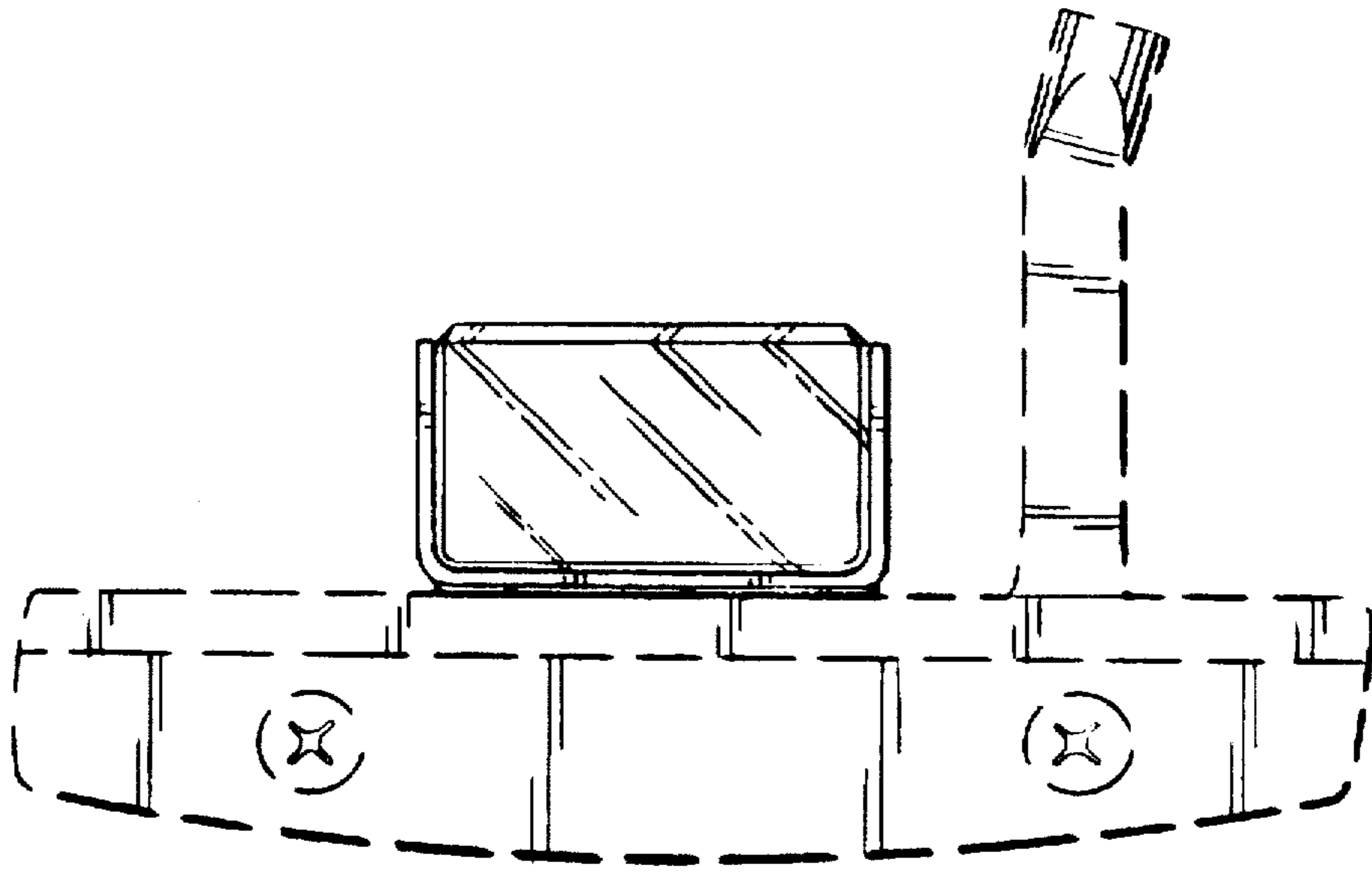


FIG. 7

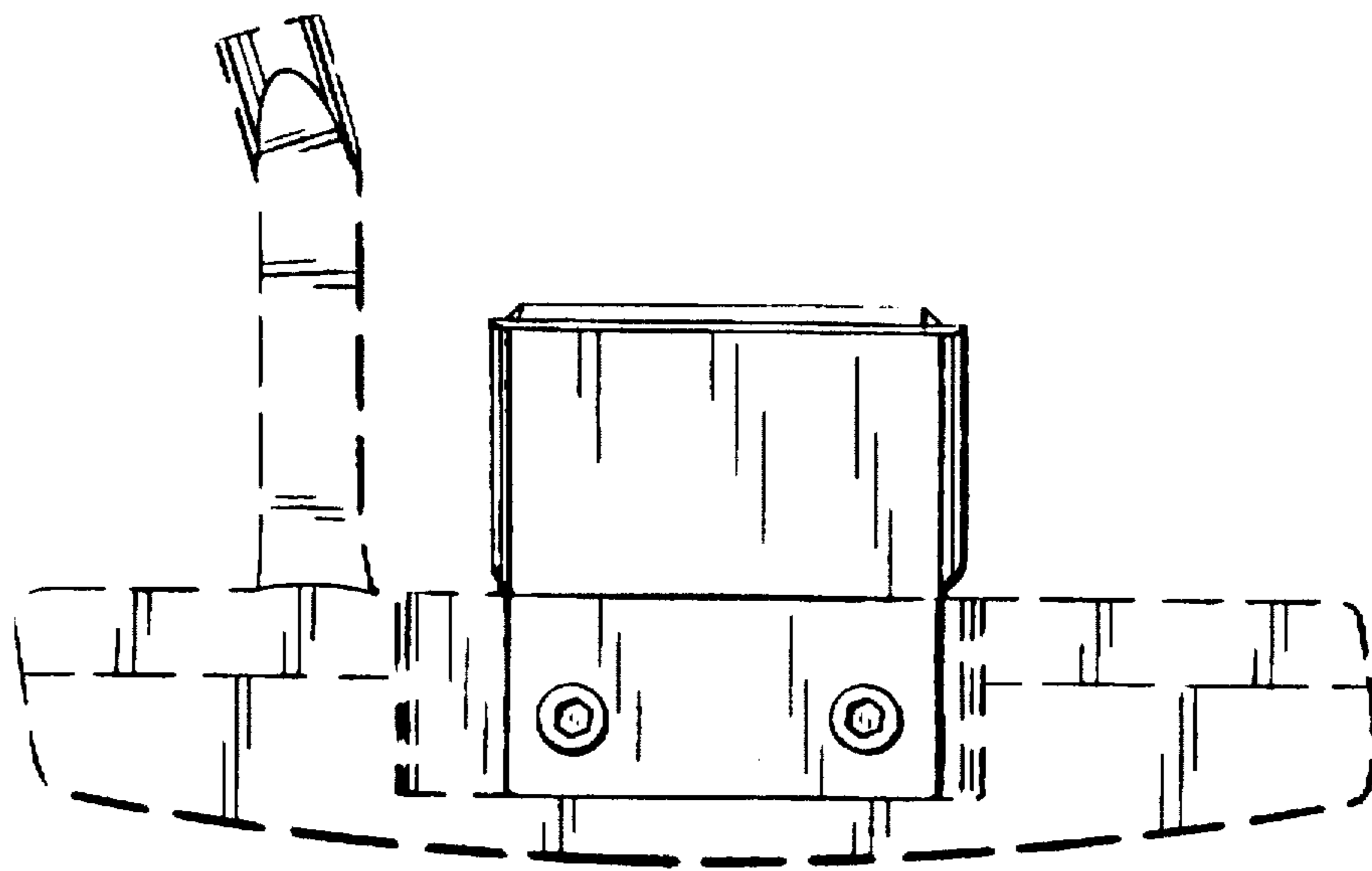


FIG. 8

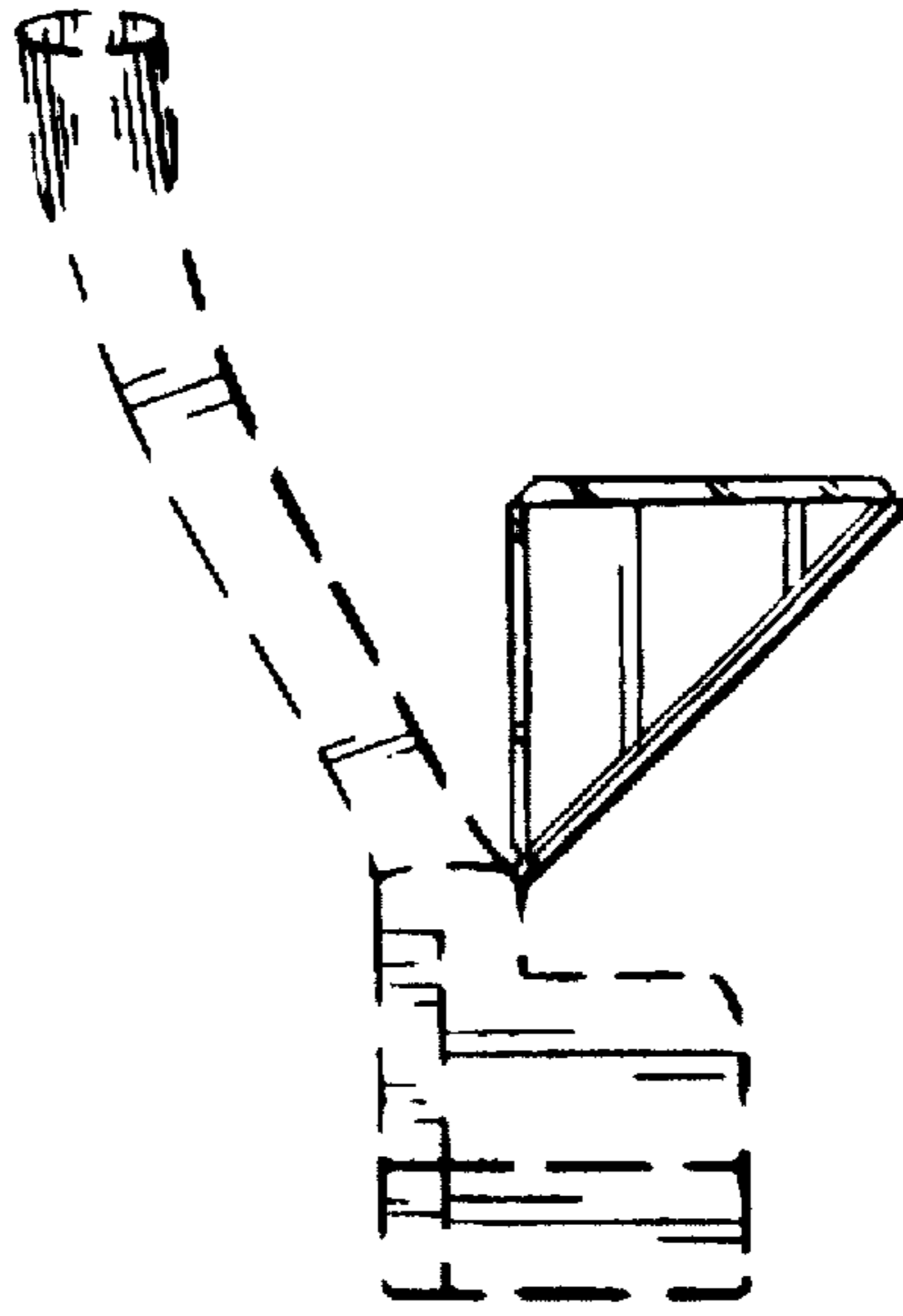


FIG. 9

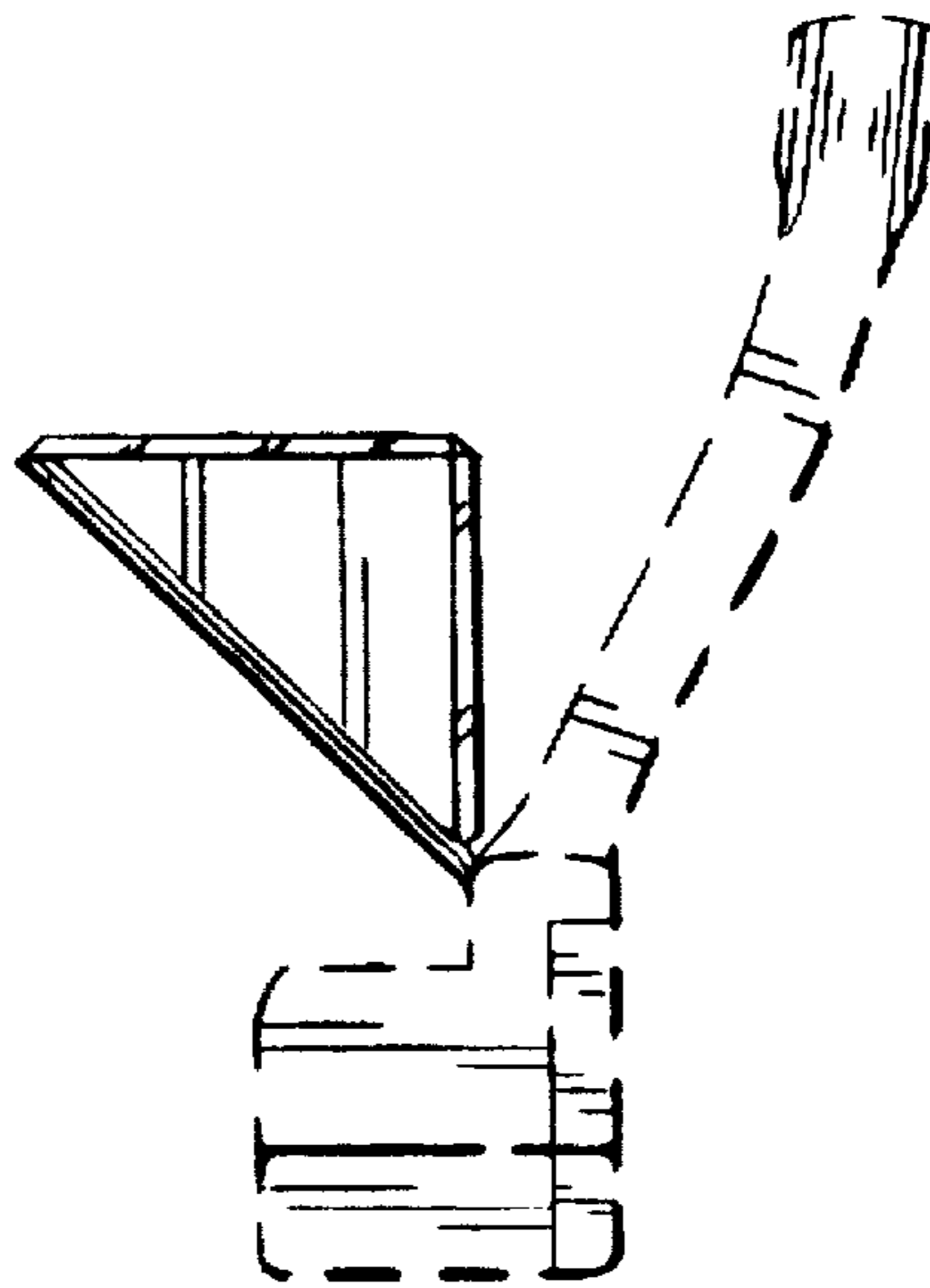


FIG. 10

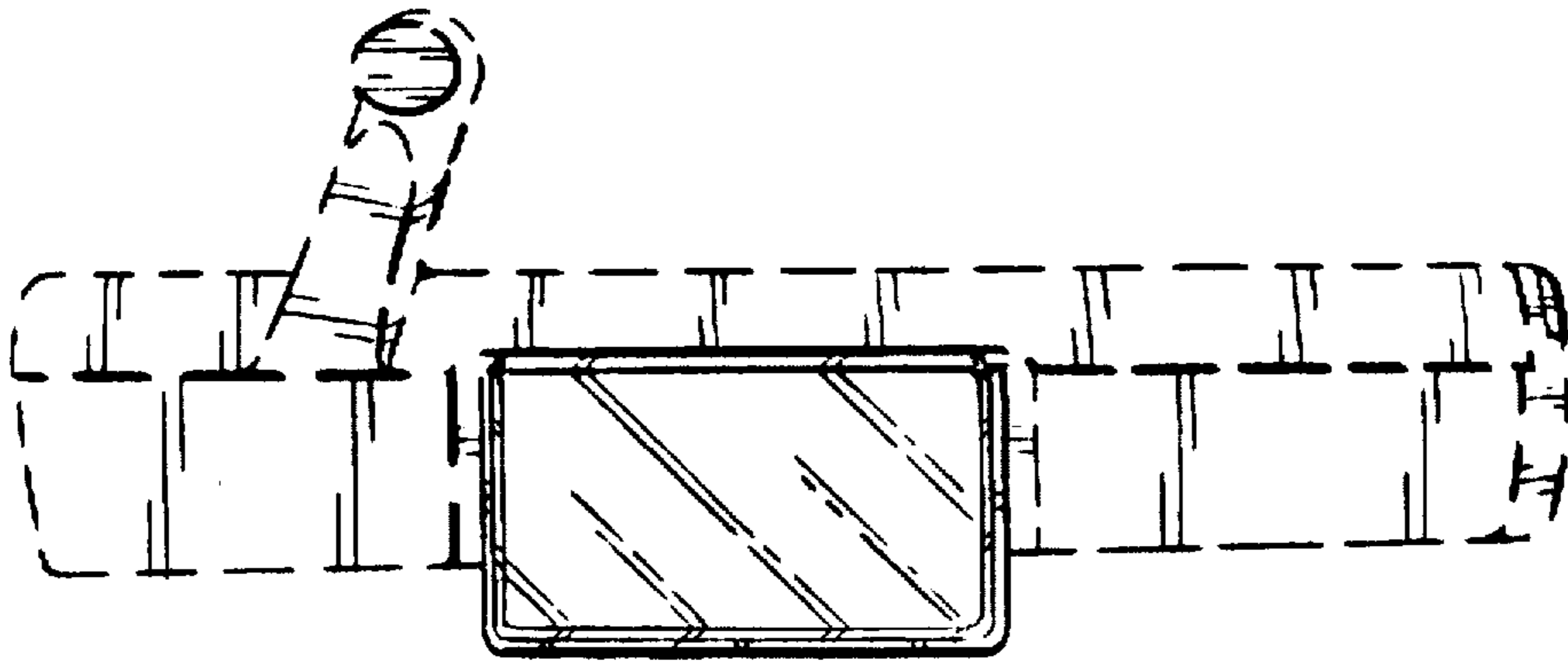


FIG. 11

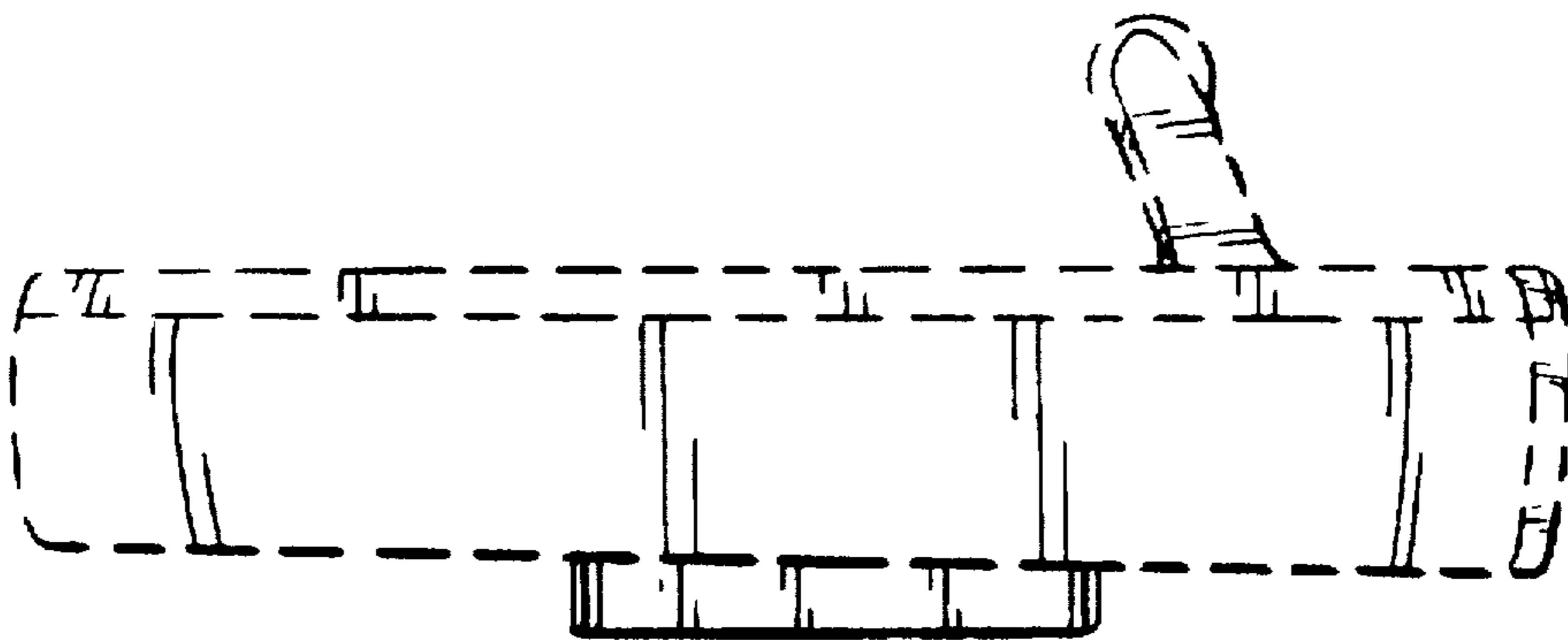


FIG. 12