



US00D392702S

United States Patent [19]

Sands et al.

[11] Patent Number: Des. 392,702

[45] Date of Patent: **Mar. 24, 1998

[54] SWIMMING EXERCISER

[76] Inventors: Leonard Sands, 4555 Reseda Blvd., Tarzana, Calif. 91356; Johnson Kuo, 5F., No. 6, Lane 12, Sec. 6, Hisn I Rd., Taipei, Taiwan

[**] Term: 14 Years

[21] Appl. No.: 67,716

[22] Filed: Mar. 10, 1997

[51] LOC (6) Cl. 21-02

[52] U.S. Cl. D21/195; D21/191

[58] Field of Search D21/191, 192, D21/193, 194, 195; 482/138, 96, 137, 142, 145, 55

[56] **References Cited**

U.S. PATENT DOCUMENTS

- D. 343,878 2/1994 Hughes D21/195
- D. 355,684 2/1995 Rawls et al. D21/191
- D. 359,777 6/1995 Hildebrandt et al. D21/191

- 5,230,680 7/1993 Wu 482/137
- 5,330,405 7/1994 Habing et al. 482/137
- 5,549,529 8/1996 Rasmussen 482/96
- 5,611,758 3/1997 Rodgers, Jr. 482/51
- 5,669,865 9/1997 Gordon 482/96

Primary Examiner—Philip S. Hyder
Attorney, Agent, or Firm—Varndell Legal Group

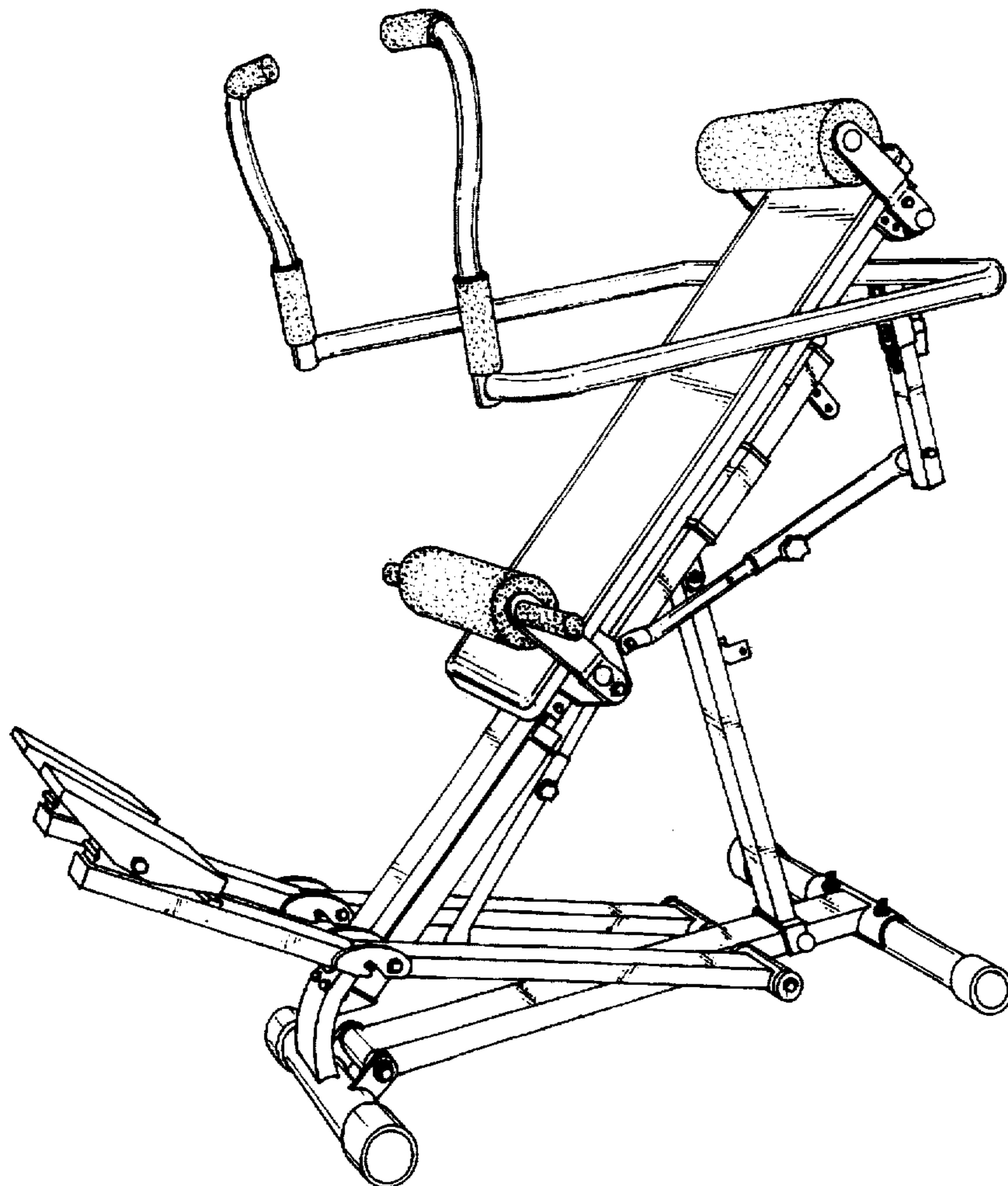
[57] **CLAIM**

The ornamental design for a swimming exerciser, as shown and described.

DESCRIPTION

FIG. 1 is a perspective view of a swimming exerciser showing our new design;
FIG. 2 is a front elevational view thereof;
FIG. 3 is a rear elevational view thereof;
FIG. 4 is a top plan view thereof;
FIG. 5 is a bottom plan view thereof;
FIG. 6 is a left side elevational view thereof; and,
FIG. 7 is a right side elevational view thereof.

1 Claim, 7 Drawing Sheets



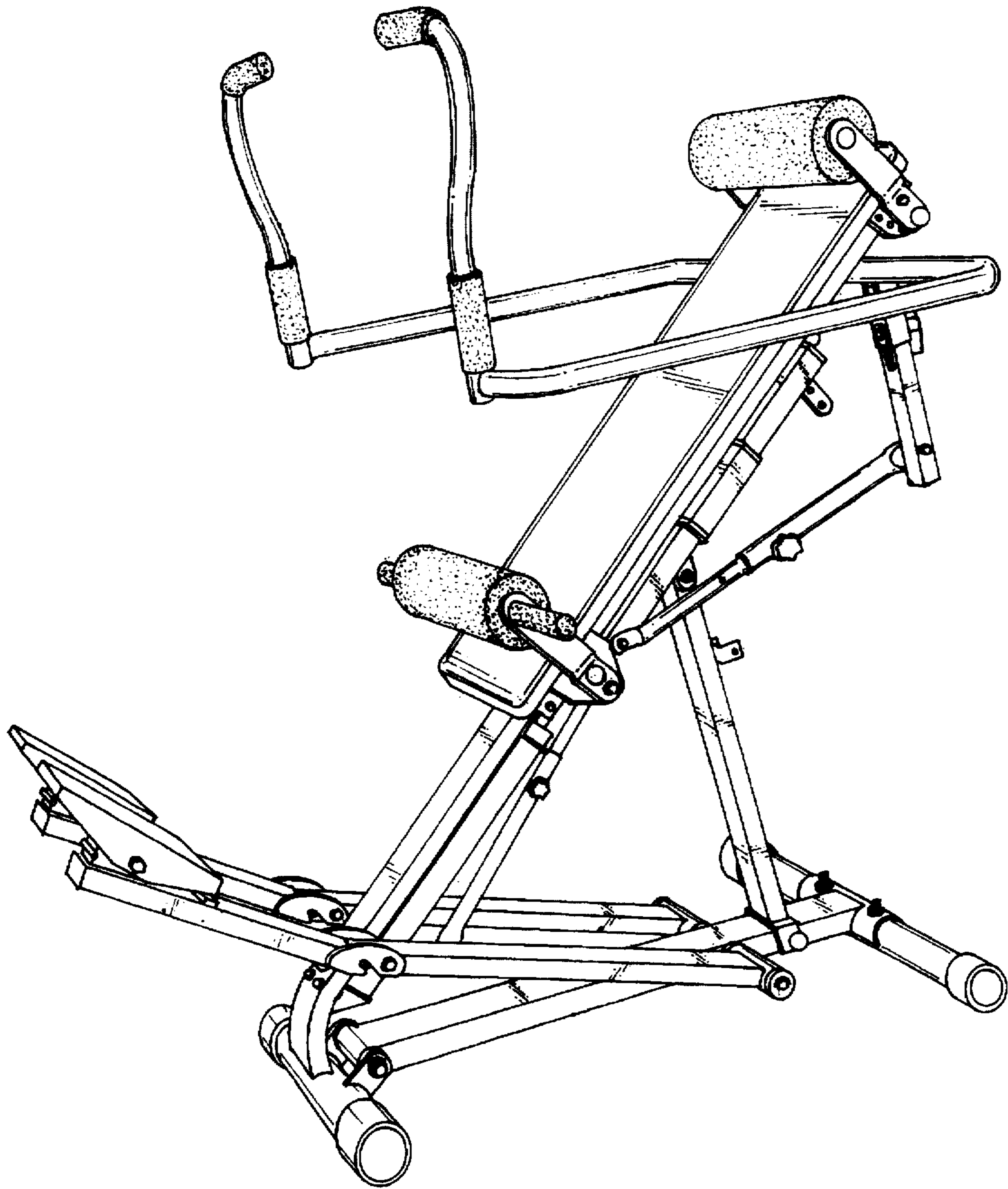


Fig. 1

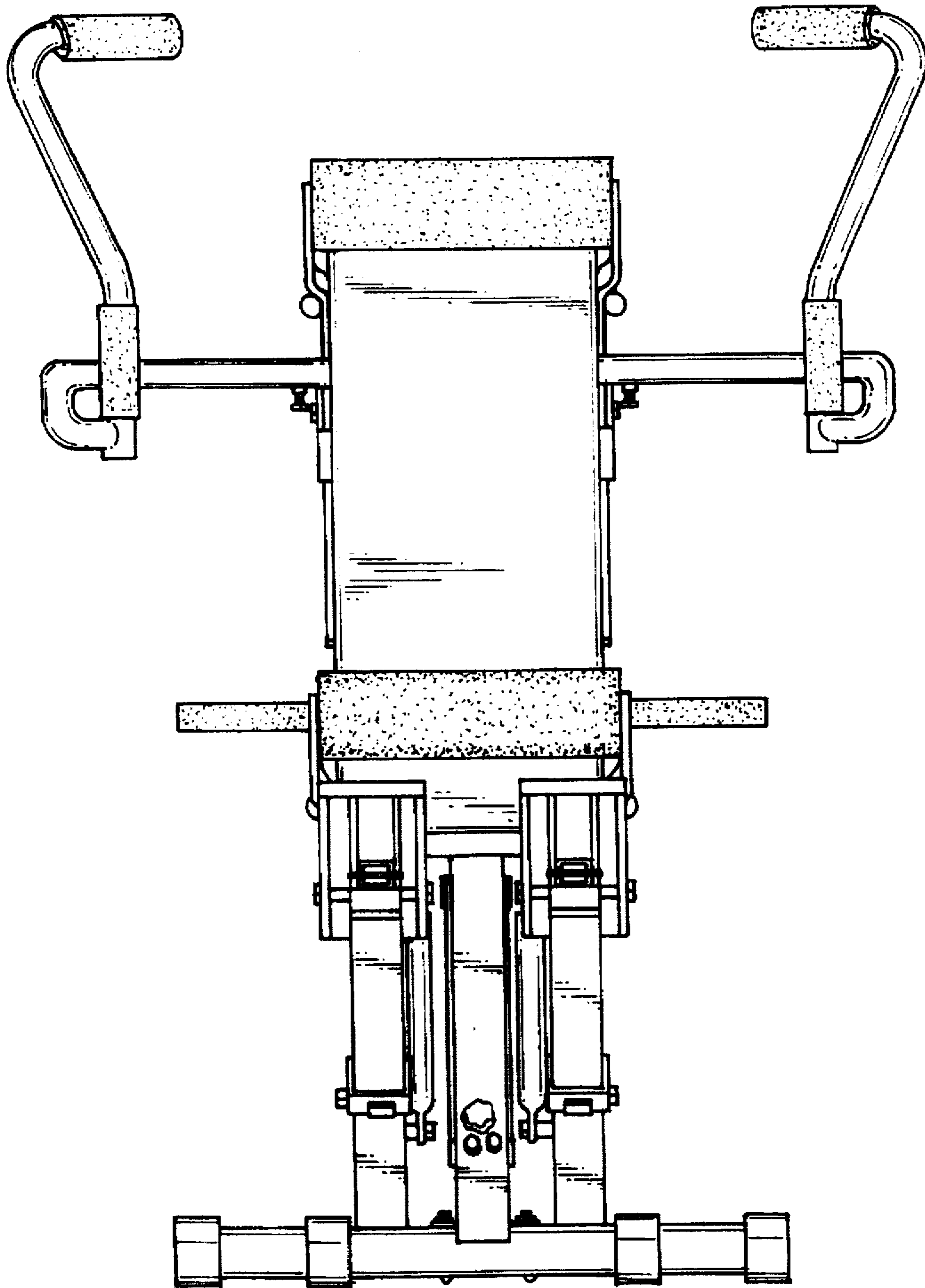


Fig. 2

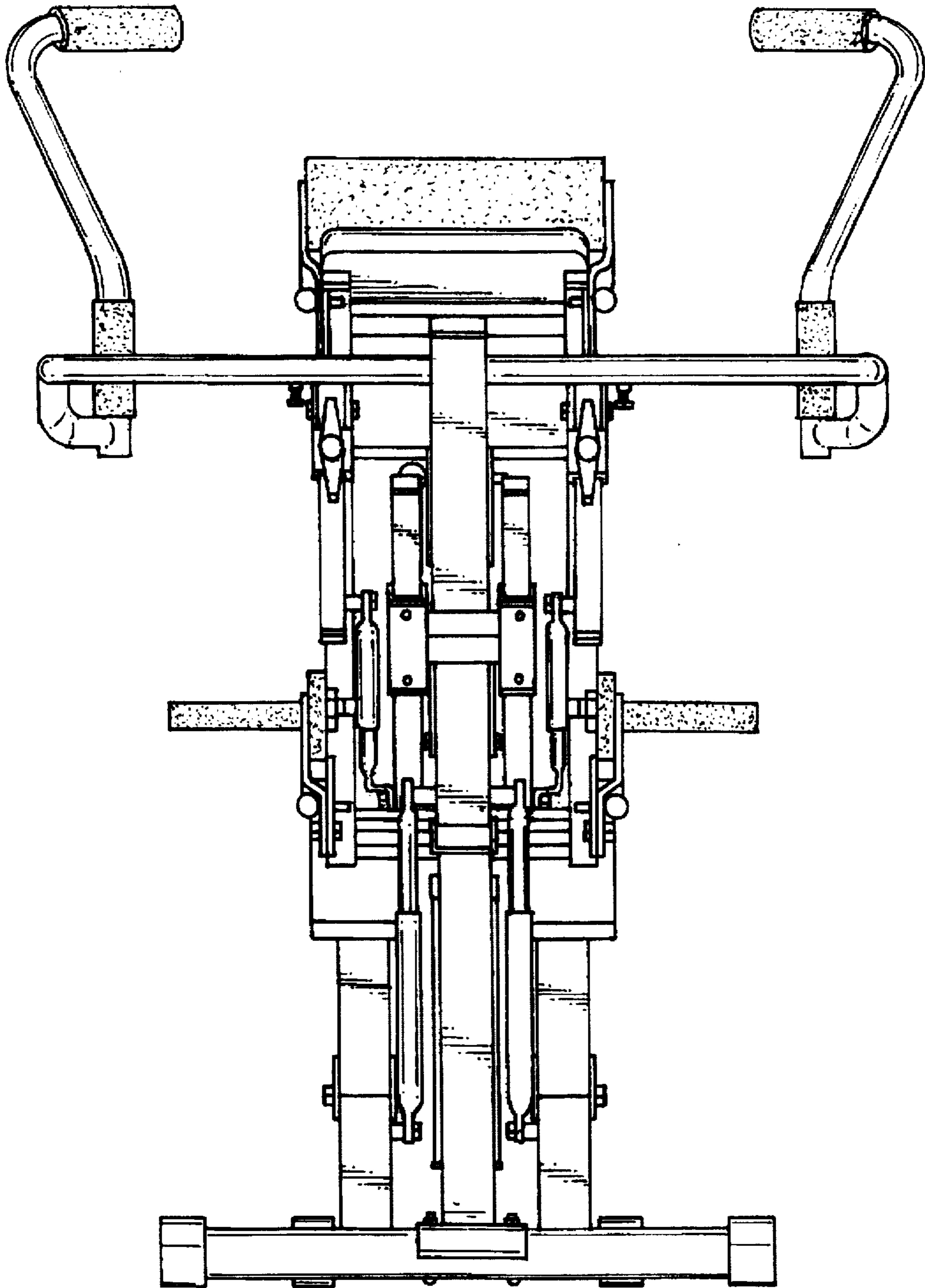


Fig. 3

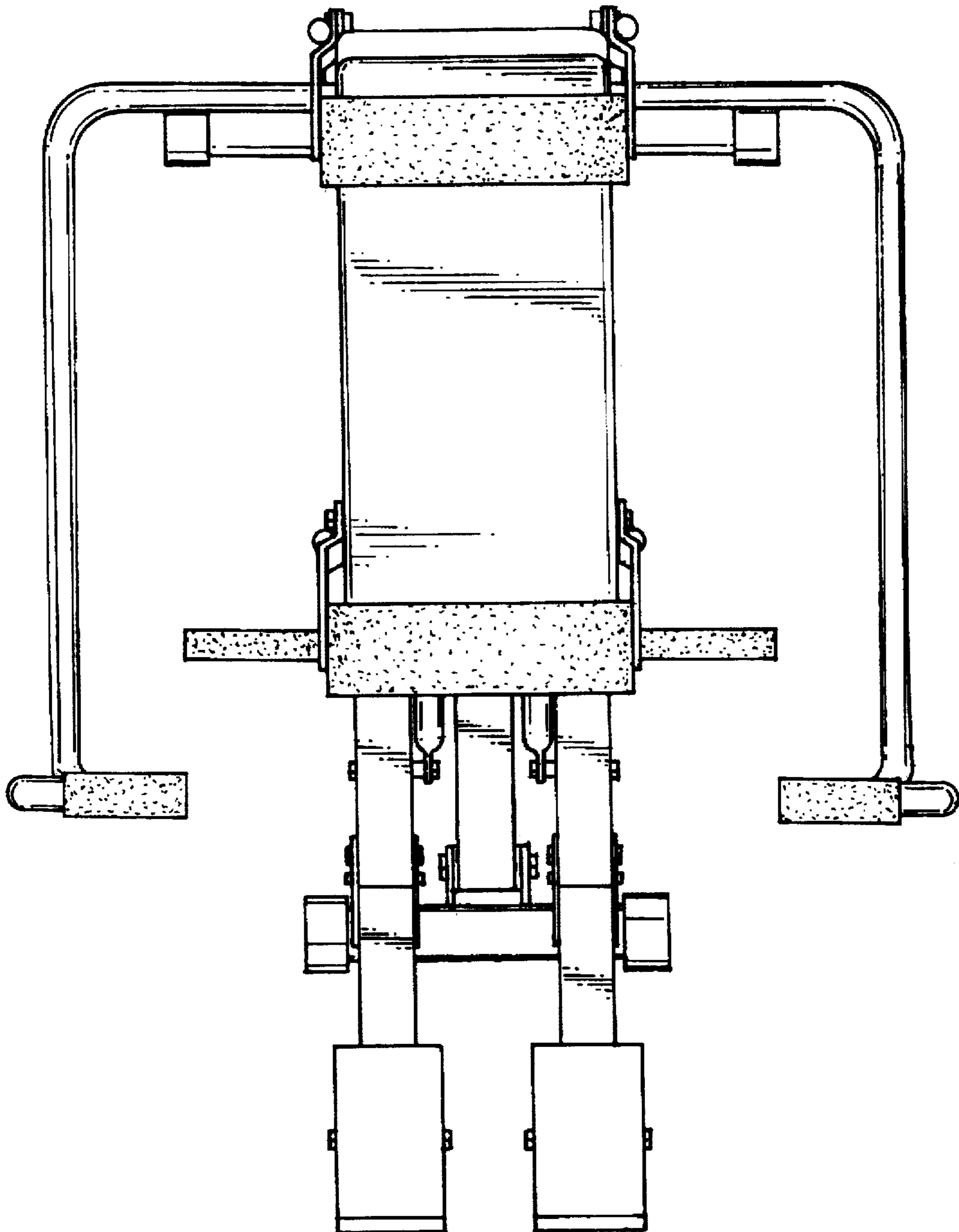


Fig. 4

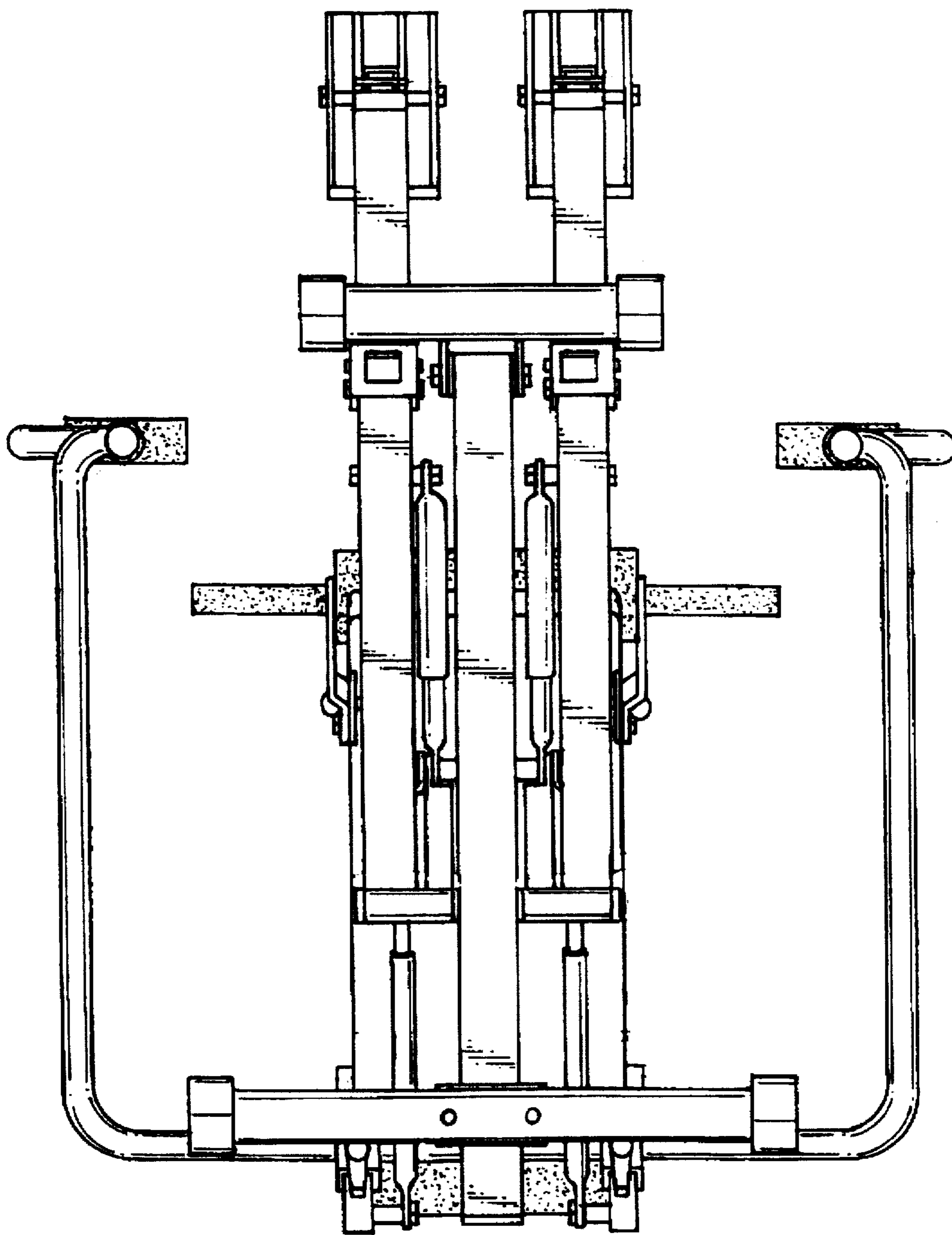


Fig. 5

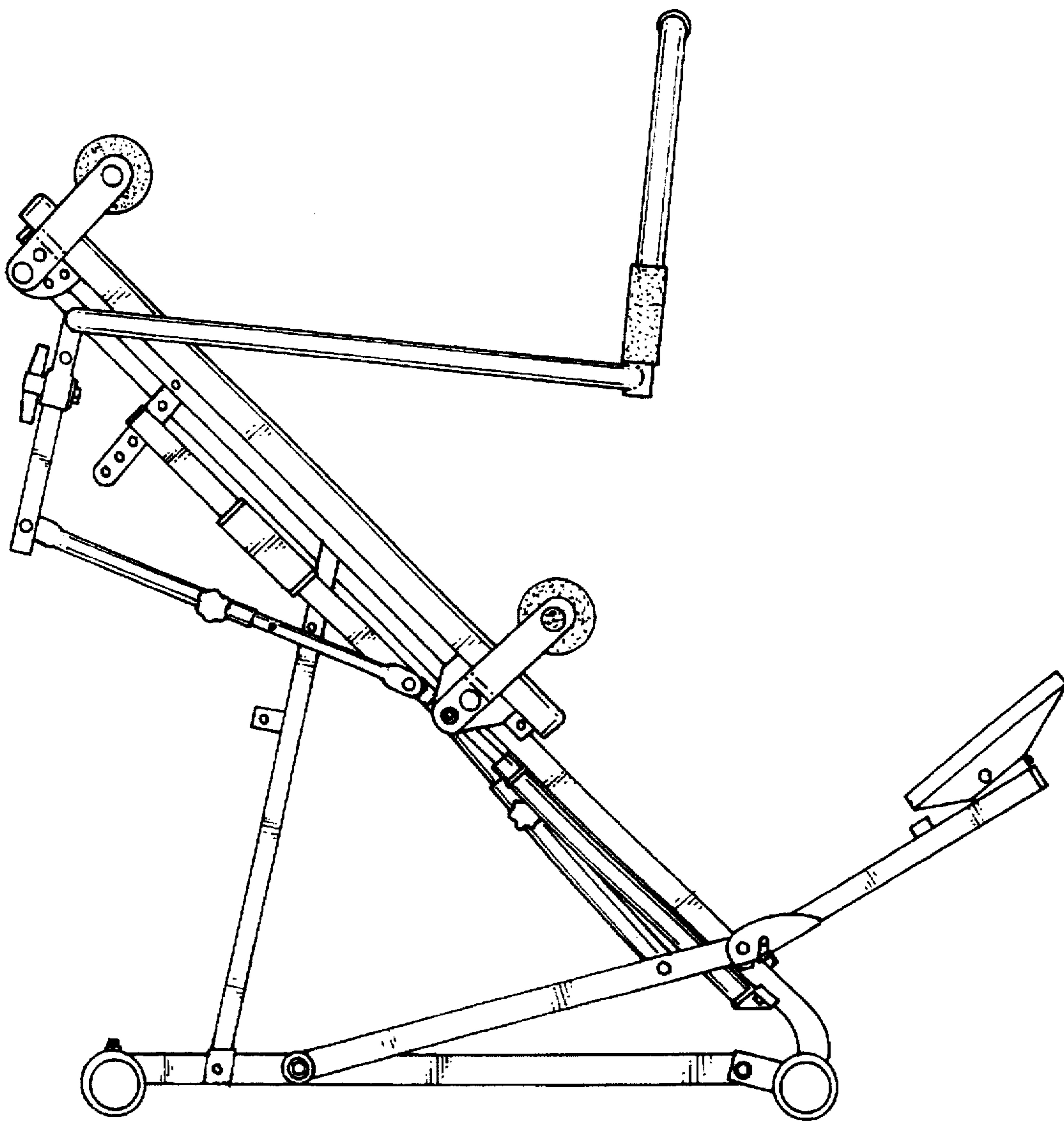


Fig. 6

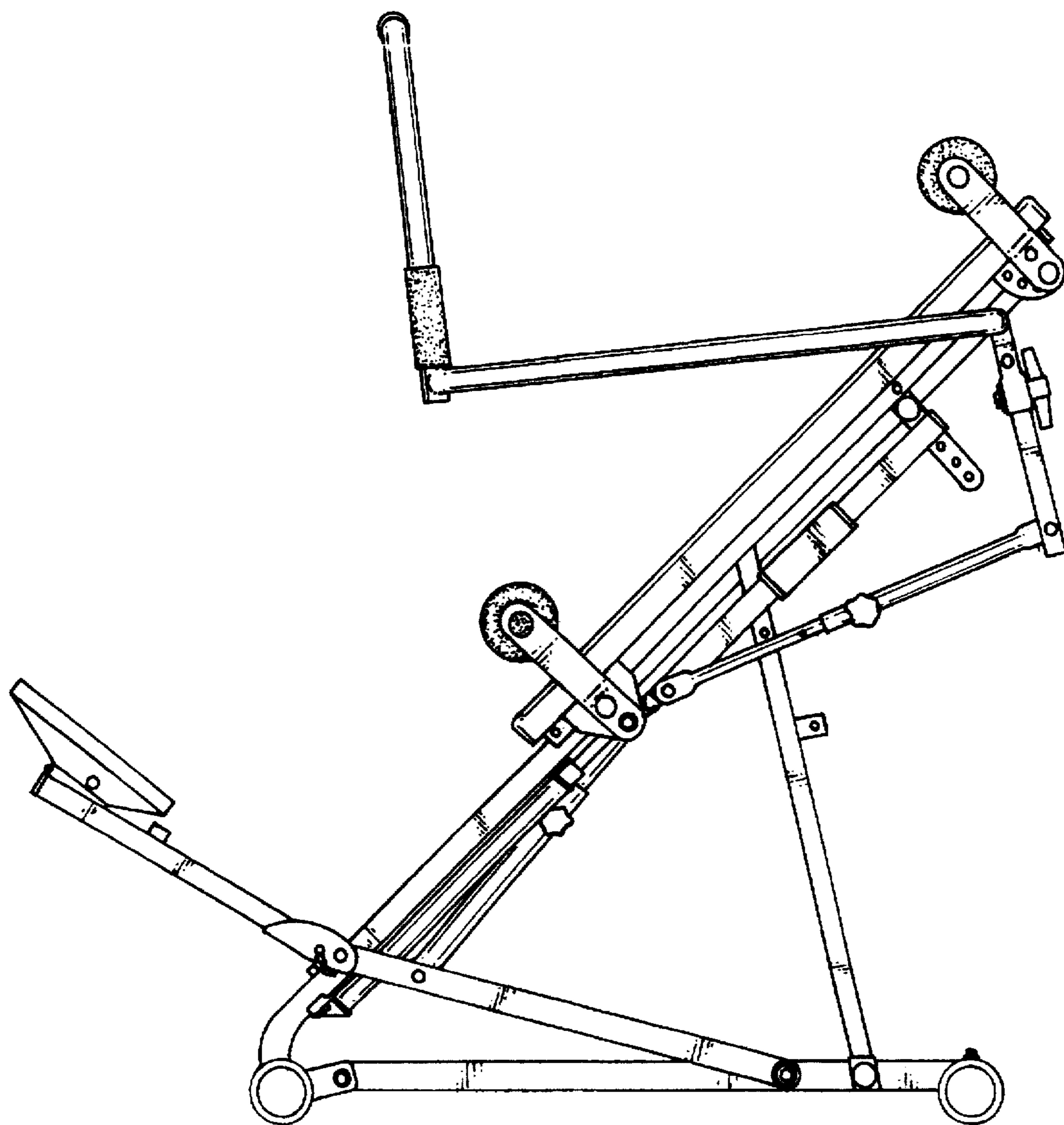


Fig. 7