



US00D392701S

United States Patent [19]

Piaget

[11] Patent Number: Des. 392,701

[45] Date of Patent: **Mar. 24, 1998

[54] EXERCISE DEVICE

[76] Inventor: Gary D. Piaget, 3390 American Saddle Dr., Park City, Utah 84060

[**] Term: 14 Years

[21] Appl. No.: 66,473

[22] Filed: Feb. 13, 1997

[51] LOC (6) Cl. 21-02

[52] U.S. Cl. D21/194; D21/191

[58] Field of Search D21/191, 192, D21/193, 194, 195; 482/51, 52, 57, 53, 70, 62

[56] **References Cited**

U.S. PATENT DOCUMENTS

D. 339,837	9/1993	Hall et al.	D21/195
D. 349,931	8/1994	Bostic et al.	D21/193
2,772,881	12/1956	Fundom .	
2,906,532	9/1959	Echols .	
4,645,200	2/1987	Hix .	

4,989,858	2/1991	Young et al. .	
5,222,928	6/1993	Yacullo	482/51
5,290,211	3/1994	Stearns	482/70
5,298,002	3/1994	Lin	482/53
5,518,470	5/1996	Piaget et al.	482/51
5,575,739	11/1996	Piaget et al.	482/51

Primary Examiner—Philip S. Hyder
Attorney, Agent, or Firm—Salter & Michaelson

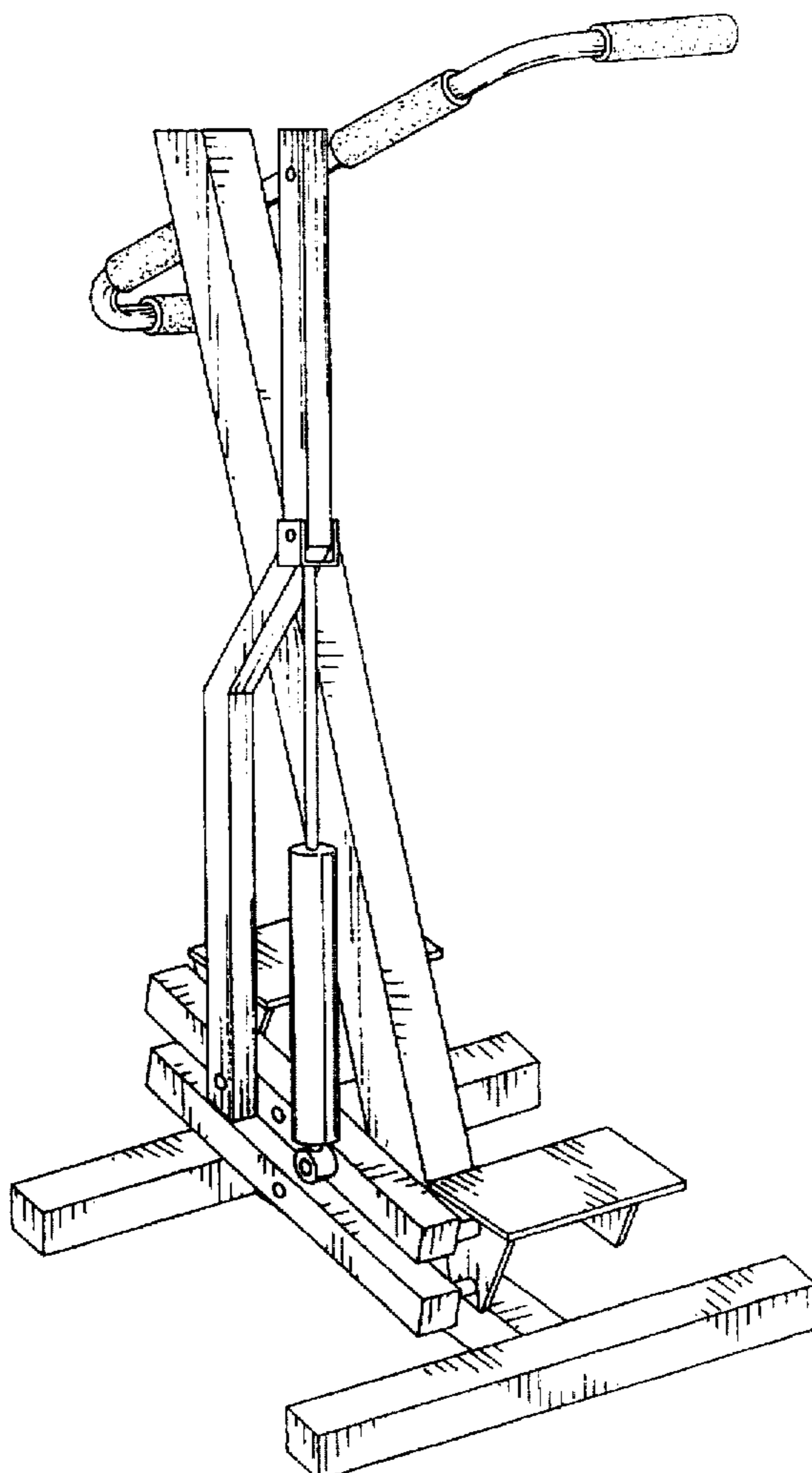
[57] **CLAIM**

The ornamental design for an exercise device, as shown.

DESCRIPTION

FIG. 1 is a front view showing my new design for an exercise device;
FIG. 2 is a rear view thereof;
FIG. 3 is a right side view thereof;
FIG. 4 is a left side view thereof;
FIG. 5 is a top view thereof;
FIG. 6 is a bottom view thereof; and,
FIG. 7 is a perspective view thereof.

1 Claim, 6 Drawing Sheets



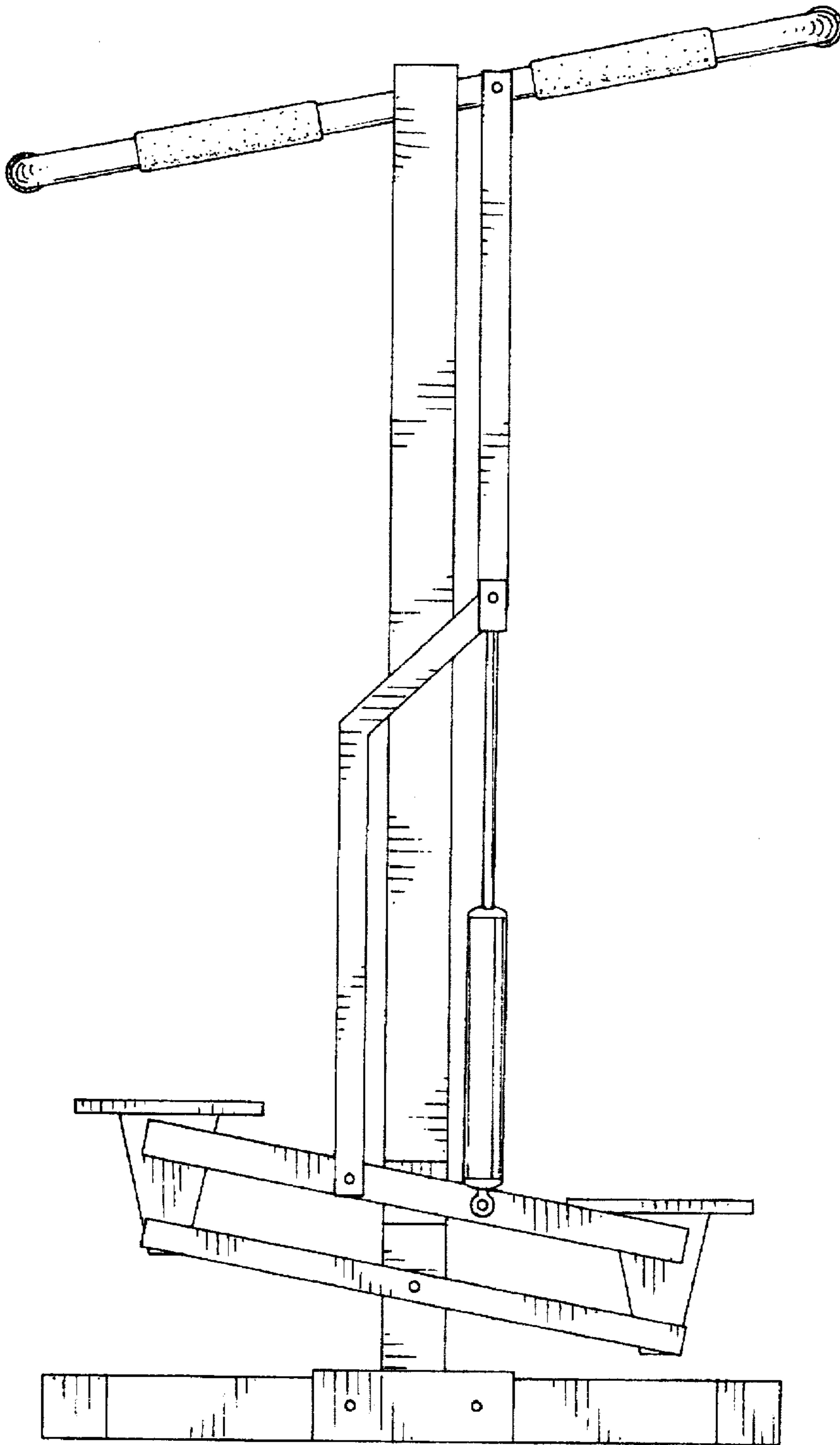


FIG. 1

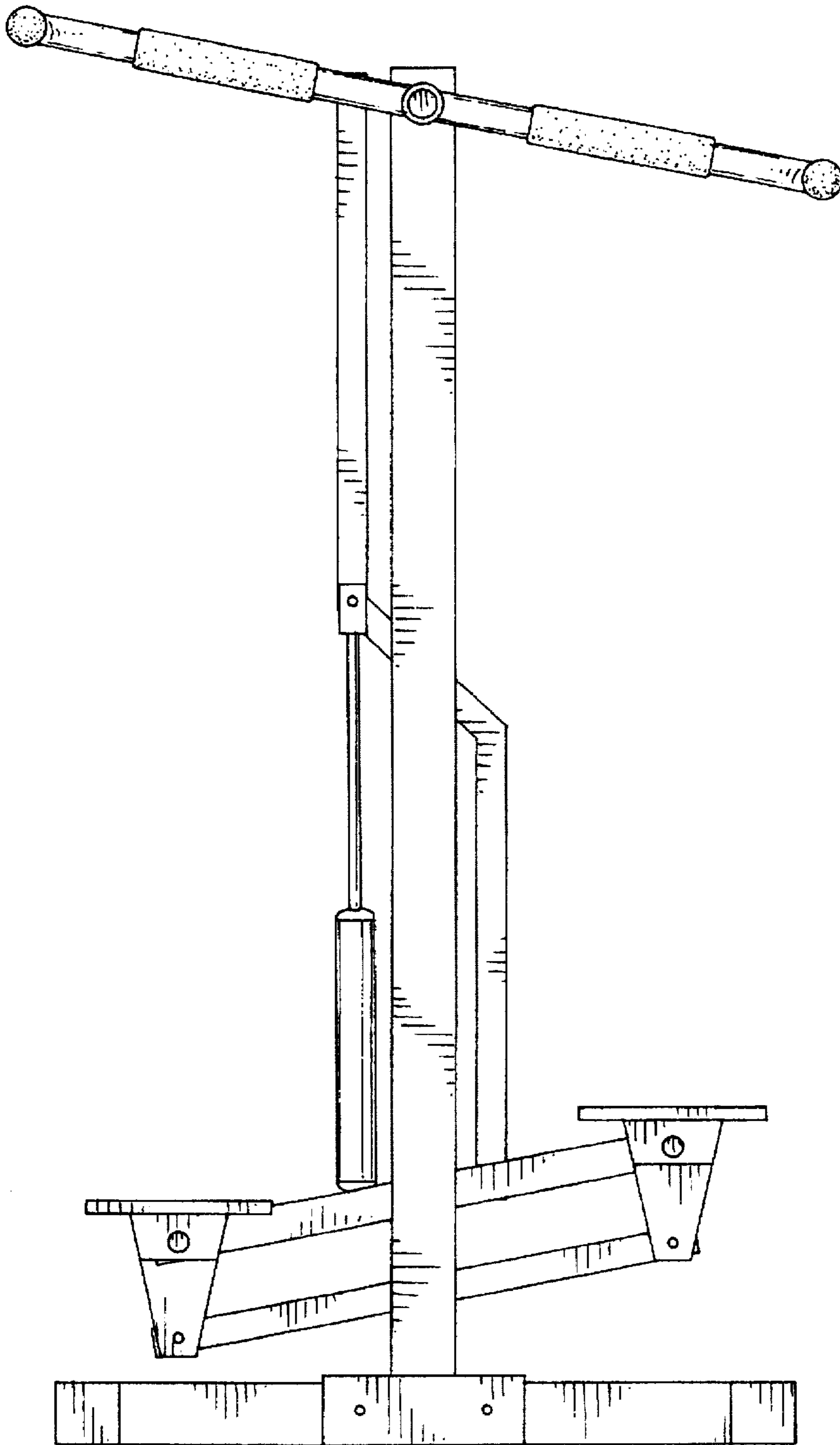


FIG. 2

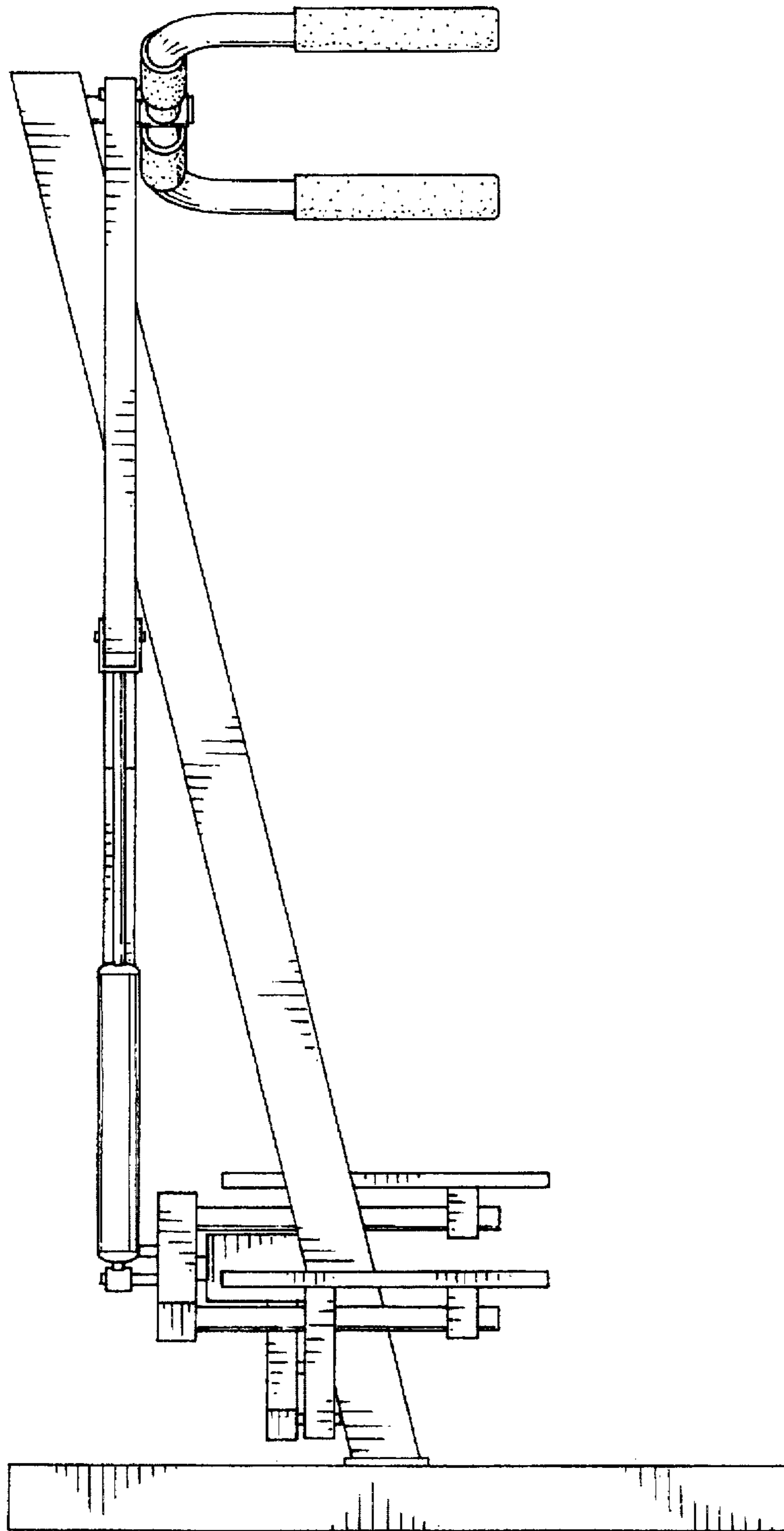


FIG. 3

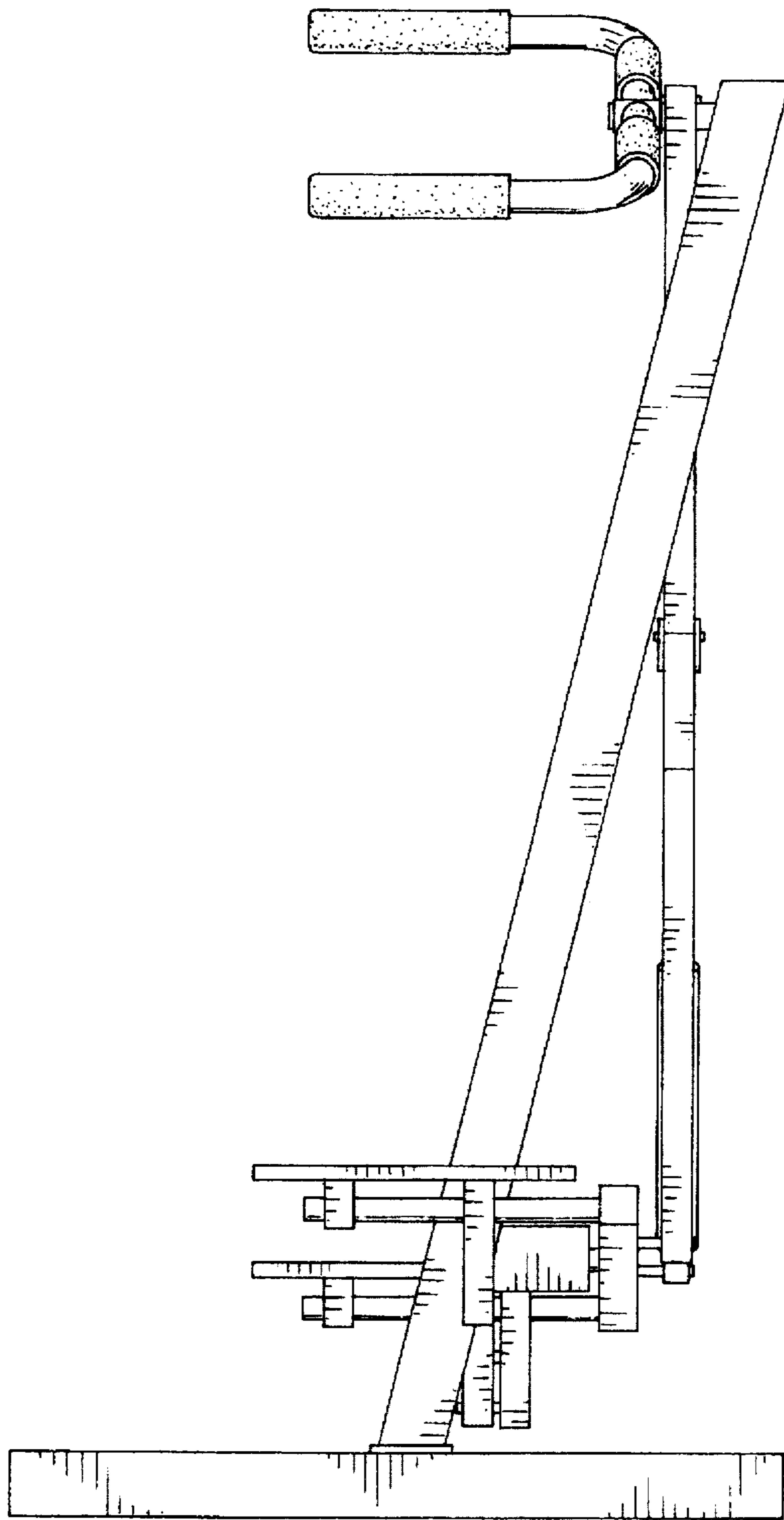


FIG. 4

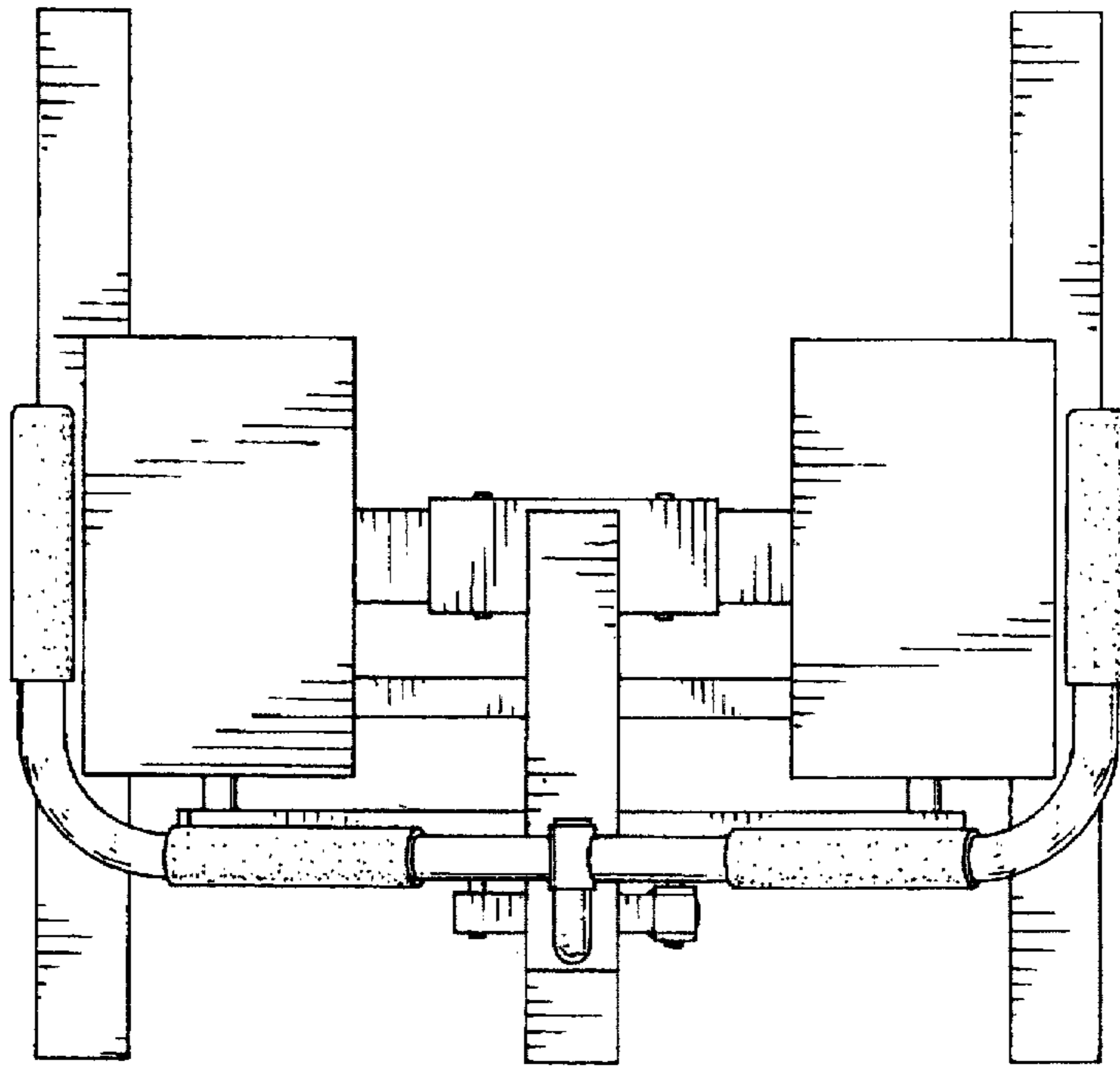


FIG. 5

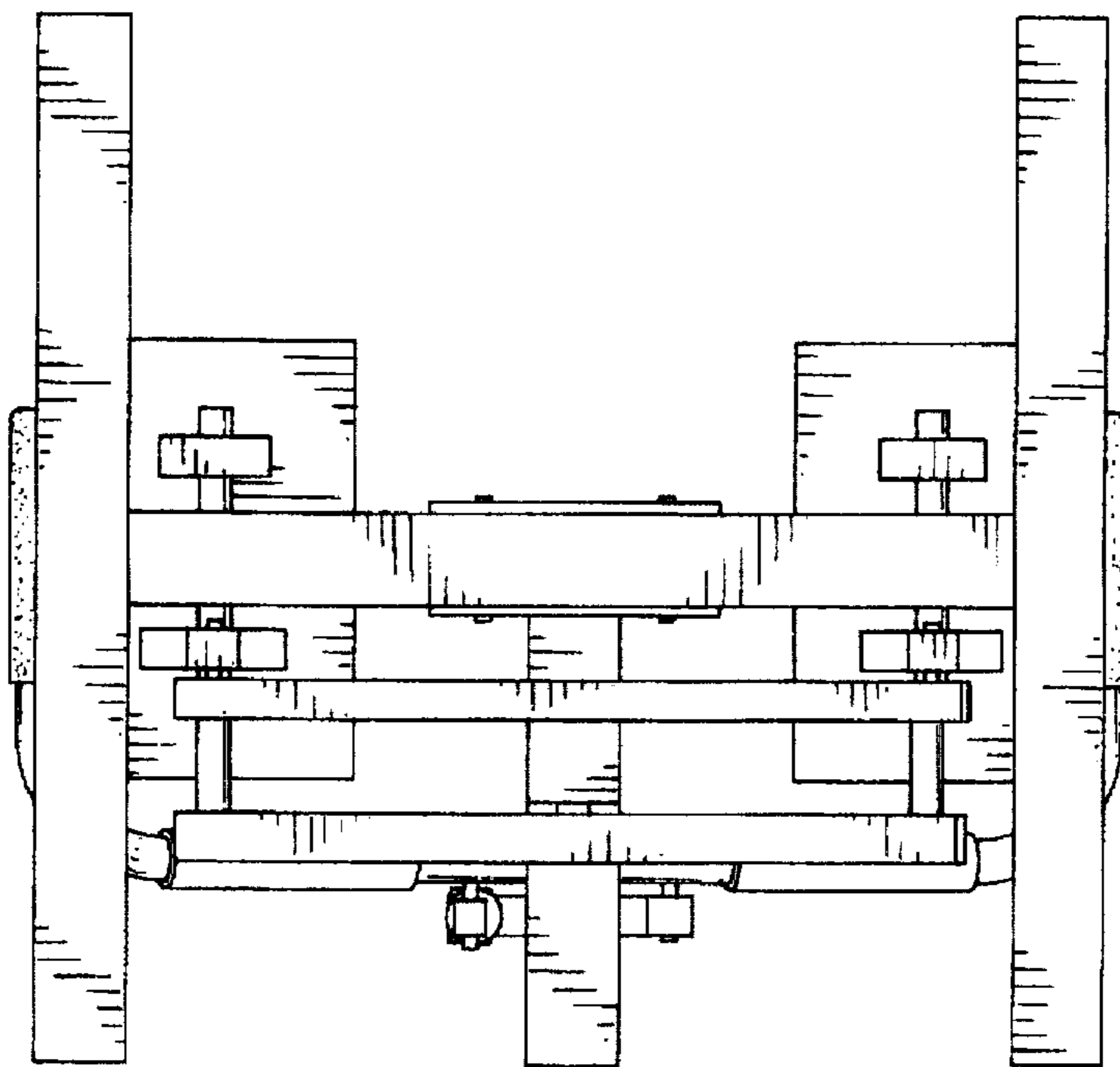


FIG. 6

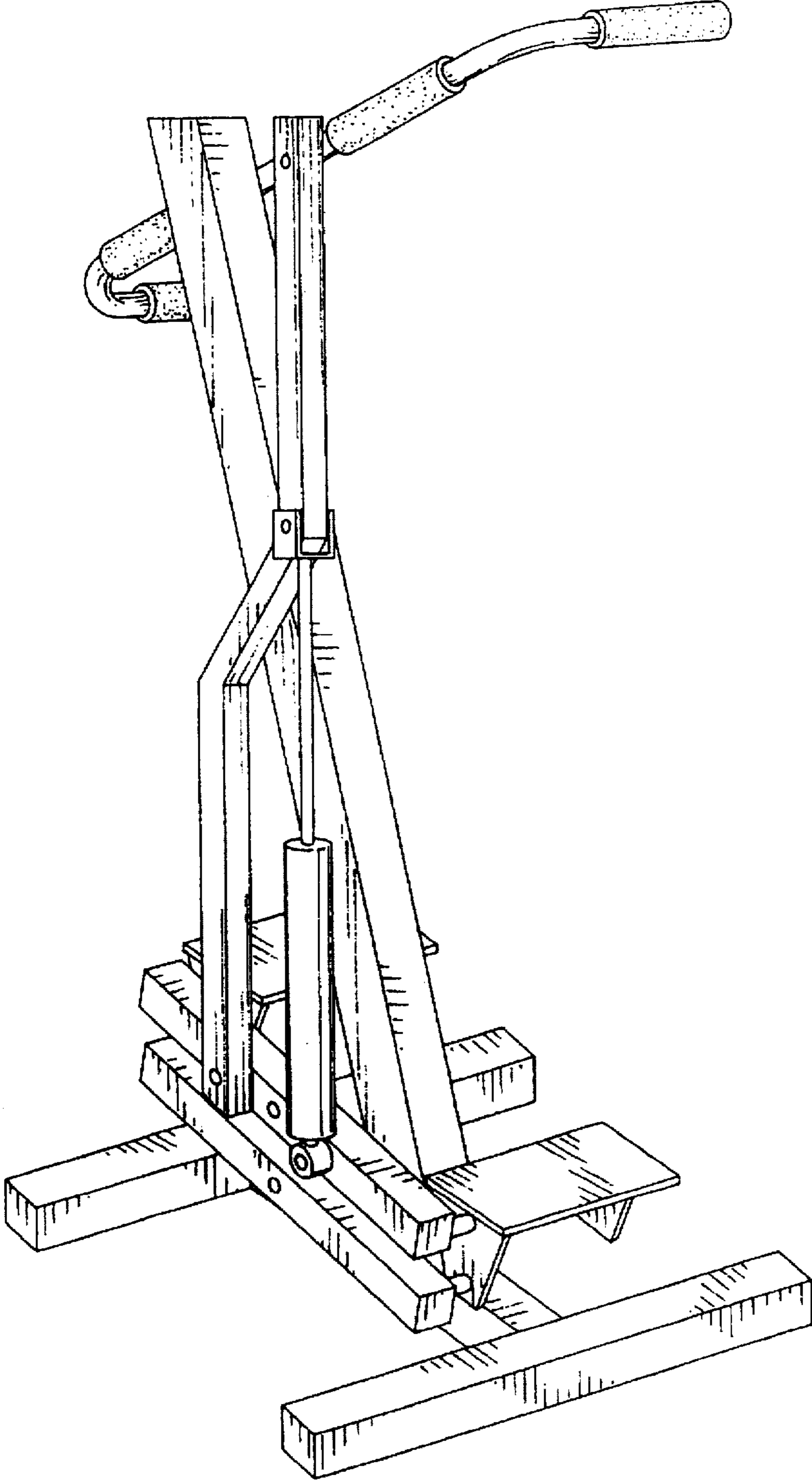


FIG. 7