



US00D392700S

United States Patent [19] Piaget

[11] Patent Number: **Des. 392,700**
[45] Date of Patent: ****Mar. 24, 1998**

[54] **STRIDING EXERCISE DEVICE**
[76] Inventor: **Gary D. Piaget**, 3390 American
Saddler Dr., Park City, Utah 84060
[**] Term: **14 Years**

4,948,121	8/1990	Haaheim et al.	482/70
5,147,257	9/1992	Loane	482/71
5,336,141	8/1994	Vitrone	482/51
5,342,264	8/1994	Gordon	482/70
5,374,228	12/1994	Buisman et al.	482/71

[21] Appl. No.: **66,538**
[22] Filed: **Feb. 13, 1997**

Primary Examiner—Philip S. Hyder
Attorney, Agent, or Firm—Salter & Michaelson

[51] LOC (6) Cl. **21-02**
[52] U.S. Cl. **D21/191**
[58] Field of Search D21/191, 192,
D21/194, 195; 482/70, 71, 72, 73, 118,
119, 51

[57] **CLAIM**
The ornamental design for a striding exercise device, as shown.

[56] **References Cited**
U.S. PATENT DOCUMENTS

219,439	9/1879	Blend .	
D. 303,131	8/1989	Lo	D21/192
D. 315,764	3/1991	Friedebach	D21/191
D. 328,934	8/1992	Friedebach	D21/191
D. 358,436	5/1995	Piaget et al.	D21/191
4,176,836	12/1979	Coyle .	

DESCRIPTION
FIG. 1 is a right side view of my new design for a striding exercise device;
FIG. 2 is a left side view thereof;
FIG. 3 is a top view thereof;
FIG. 4 is a bottom view thereof;
FIG. 5 is a front view thereof;
FIG. 6 is a rear view thereof; and,
FIG. 7 is a perspective view thereof.

1 Claim, 4 Drawing Sheets

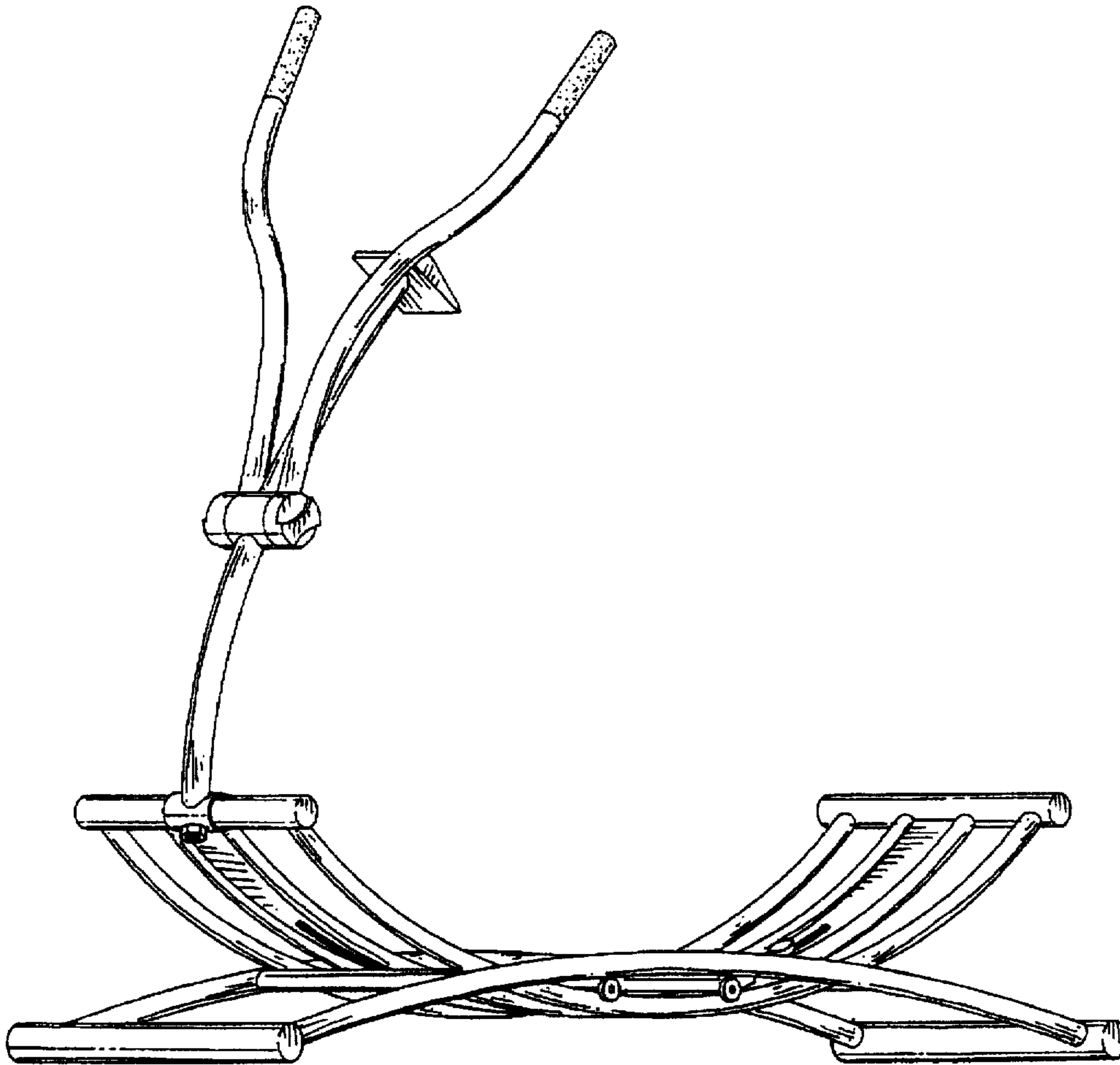


FIG. 1

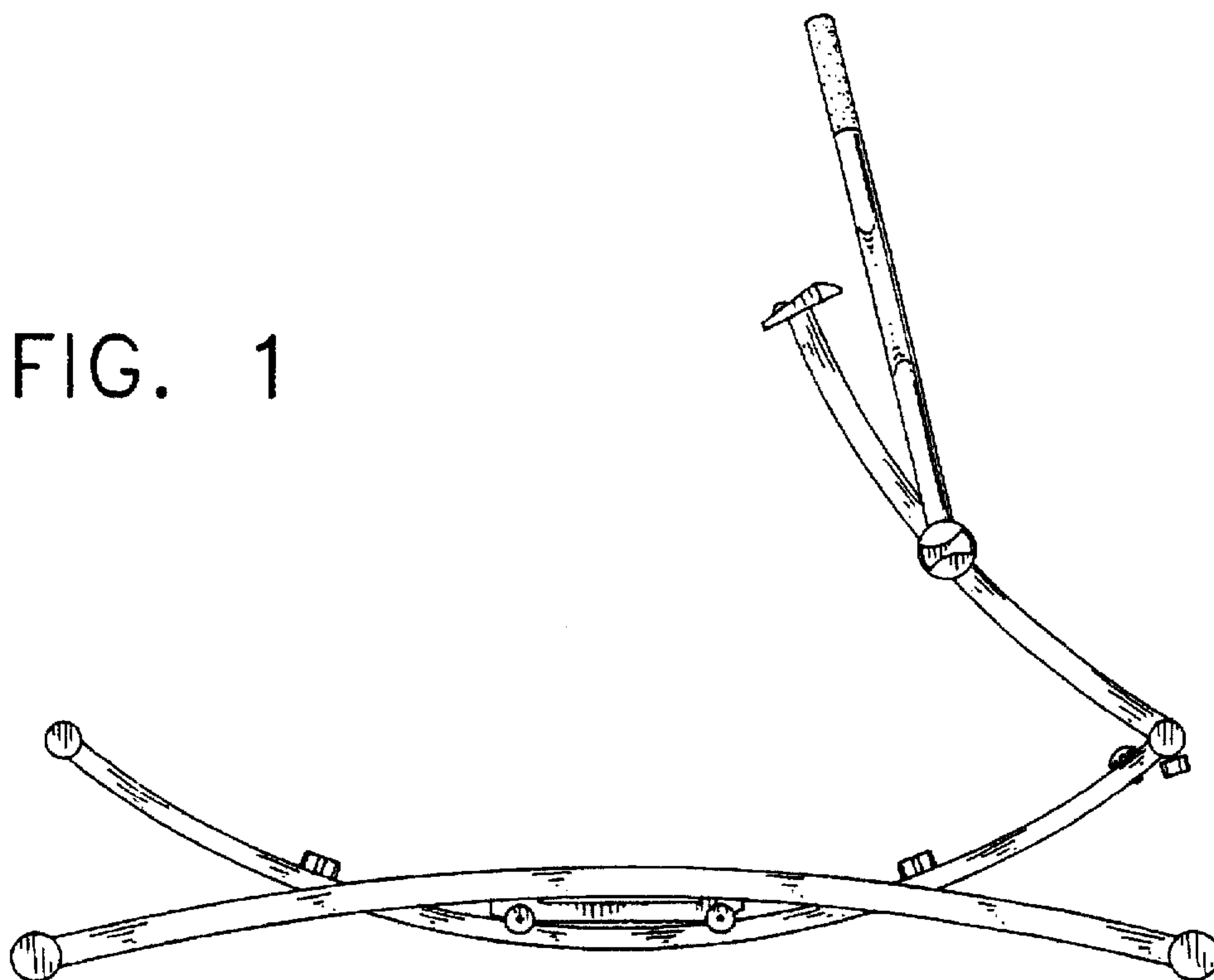
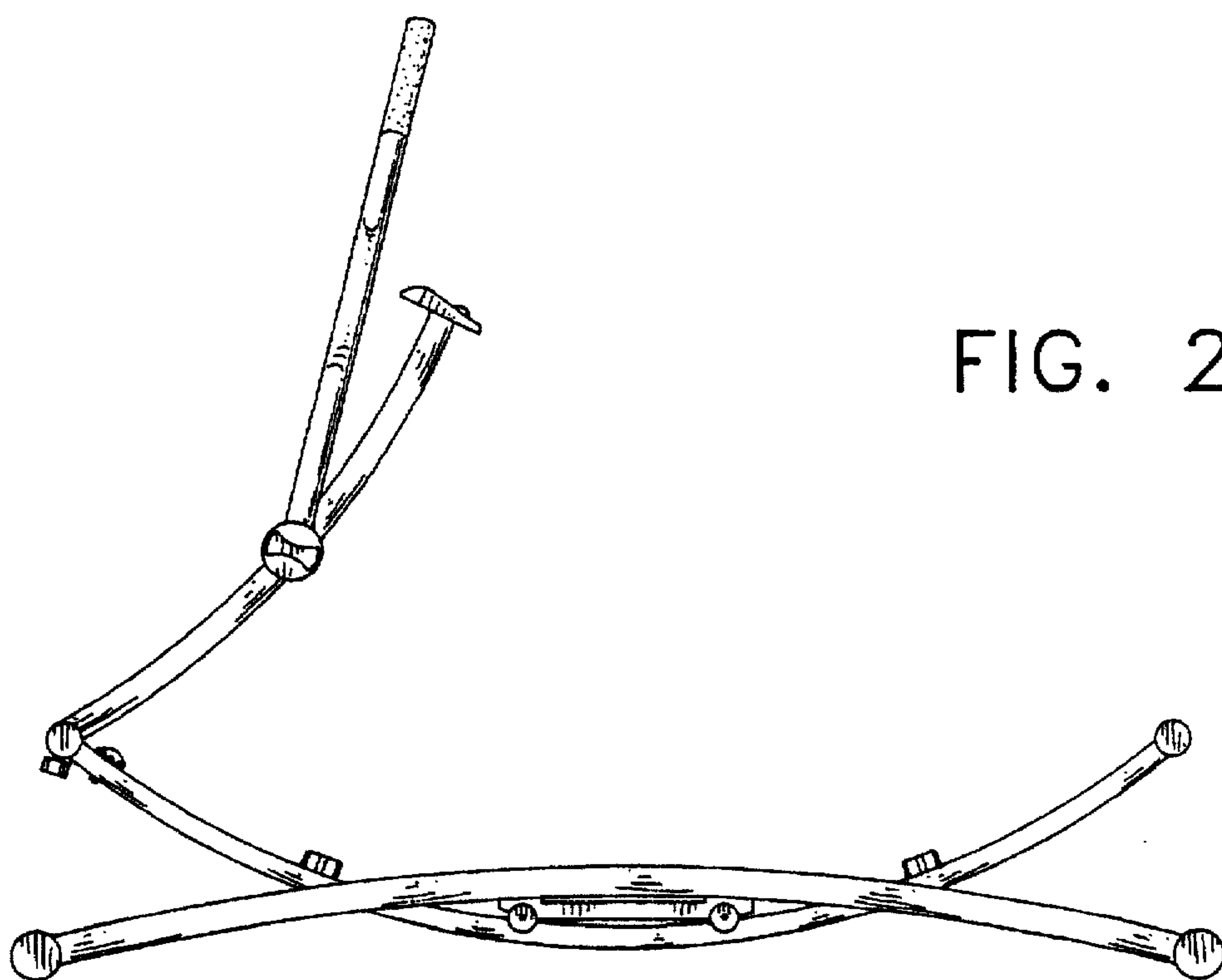


FIG. 2



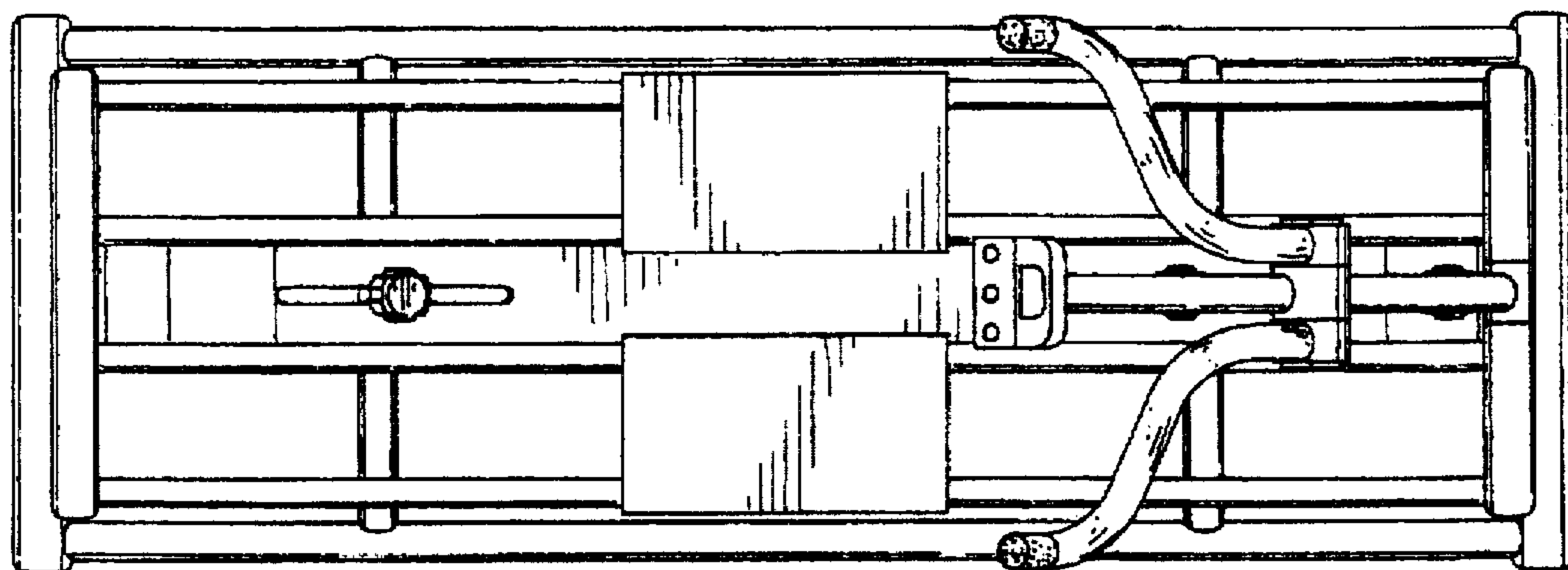


FIG. 3

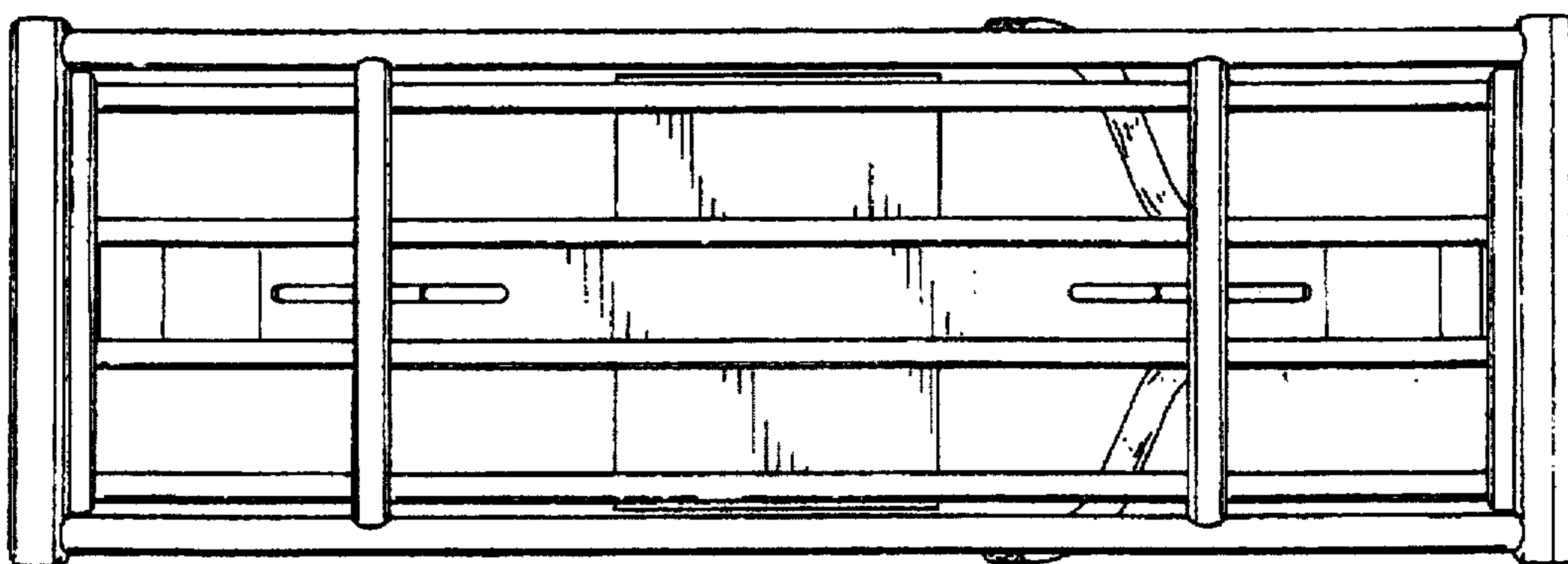


FIG. 4

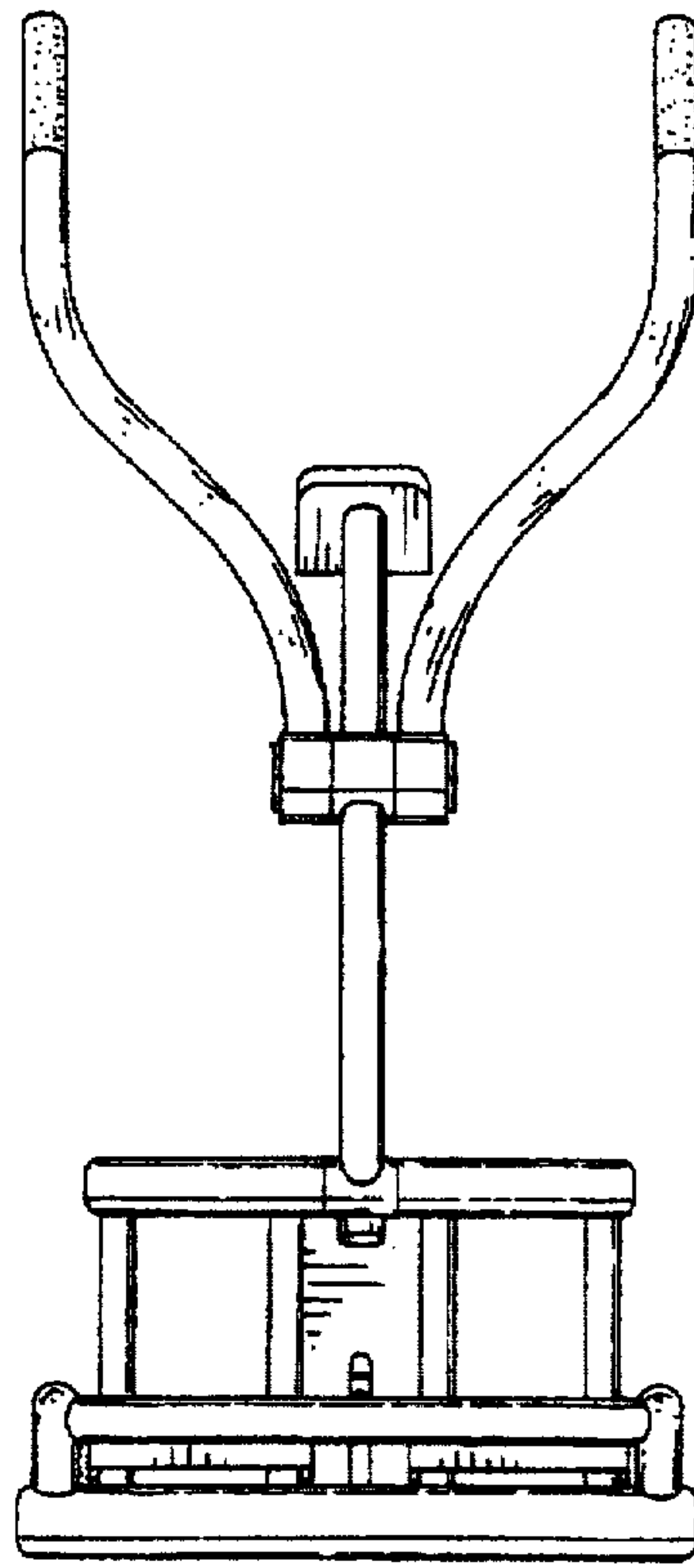


FIG. 5

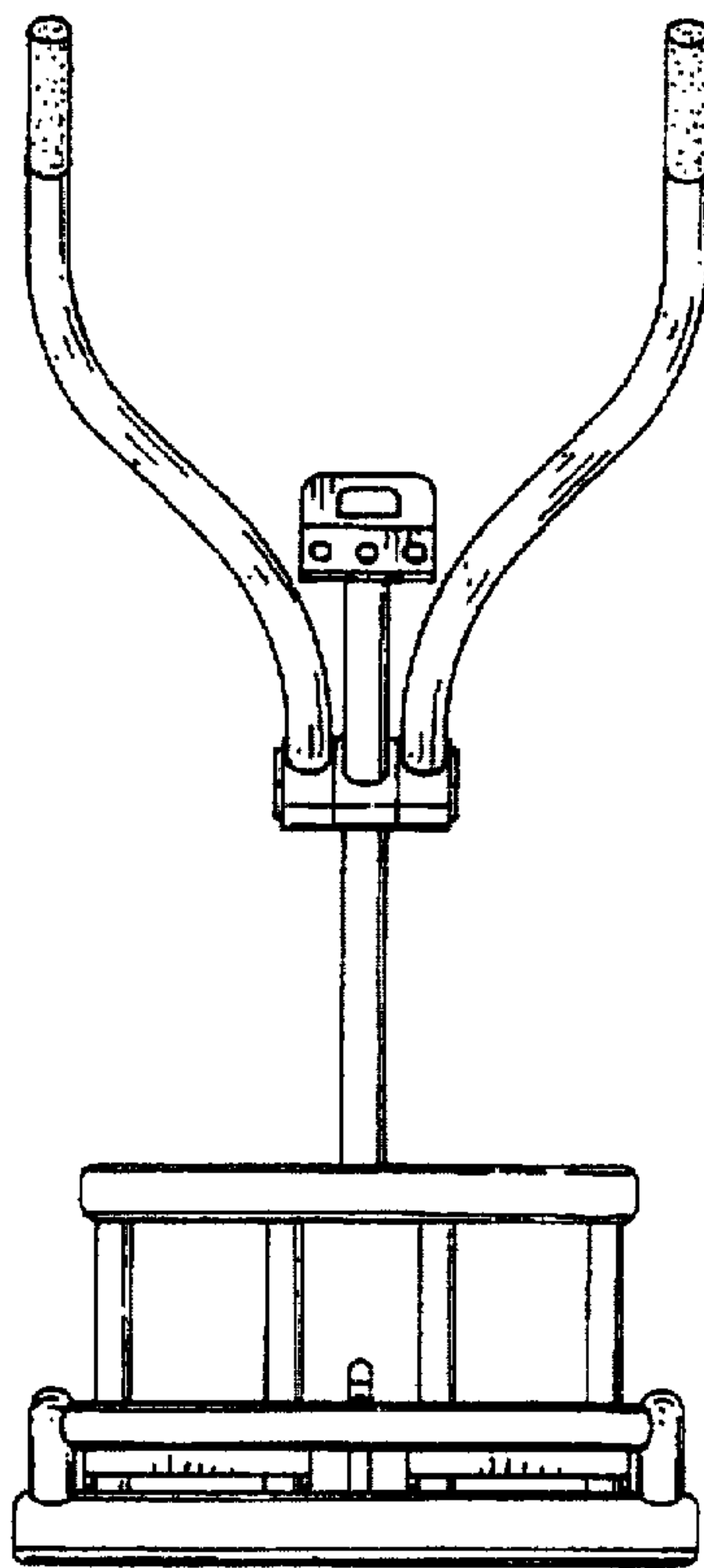


FIG. 6

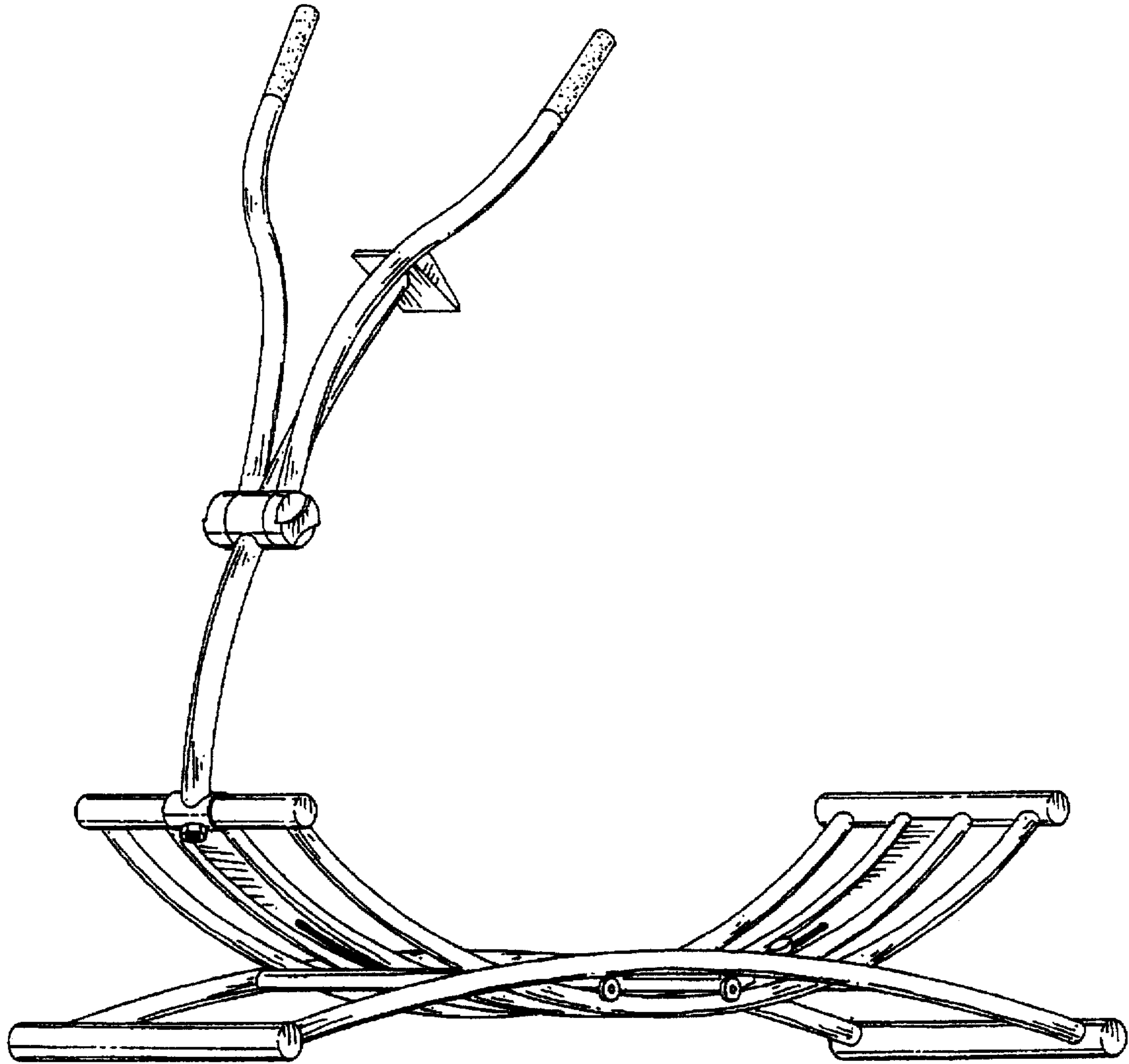


FIG. 7