

US00D392695S

United States Patent [19]
Haupt

[11] **Patent Number: Des. 392,695**
[45] **Date of Patent: **Mar. 24, 1998**

[54] **TOY FAN MOBILE**

[76] **Inventor: Bonnie A. Haupt, 65 Laurel Rd., New Haven, Conn. 06515**

[**] **Term: 14 Years**

[21] **Appl. No.: 75,469**

[22] **Filed: Aug. 21, 1997**

[51] **LOC (6) Cl. 21-01**

[52] **U.S. Cl. D21/63; D23/385; D23/377**

[58] **Field of Search D21/59, 62, 63; D23/377, 385; 446/227, 228; 362/96**

[56] **References Cited**

U.S. PATENT DOCUMENTS

- D. 171,593 2/1954 Hagey .
- D. 237,288 10/1975 Crawford .
- D. 261,783 11/1981 Nakao et al. .
- D. 278,446 4/1985 Kujawski et al. .
- D. 285,946 9/1986 Toth .
- D. 299,935 2/1989 Williams et al. D21/63
- D. 306,323 2/1990 Wise .
- D. 346,858 5/1994 Lee D23/377

- D. 364,652 11/1995 Santana .
- D. 377,975 2/1997 Young D23/377
- D. 386,257 11/1997 Liu D23/377
- 3,762,084 10/1973 Jones .
- 4,756,109 7/1988 Marcus .
- 4,904,220 2/1990 Williams et al. .
- 5,270,905 12/1993 Trevino 362/96

Primary Examiner—Dominic Simone

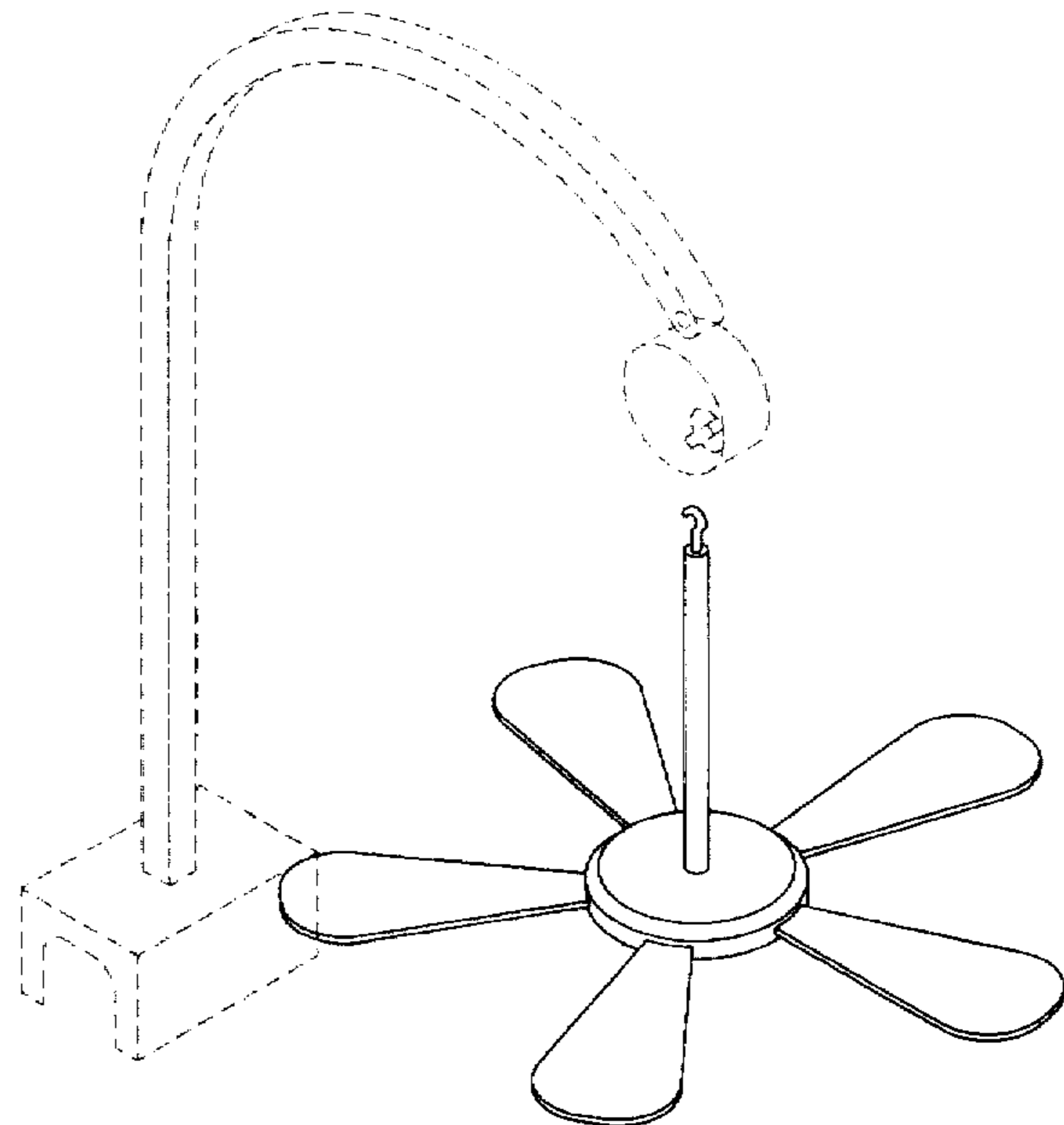
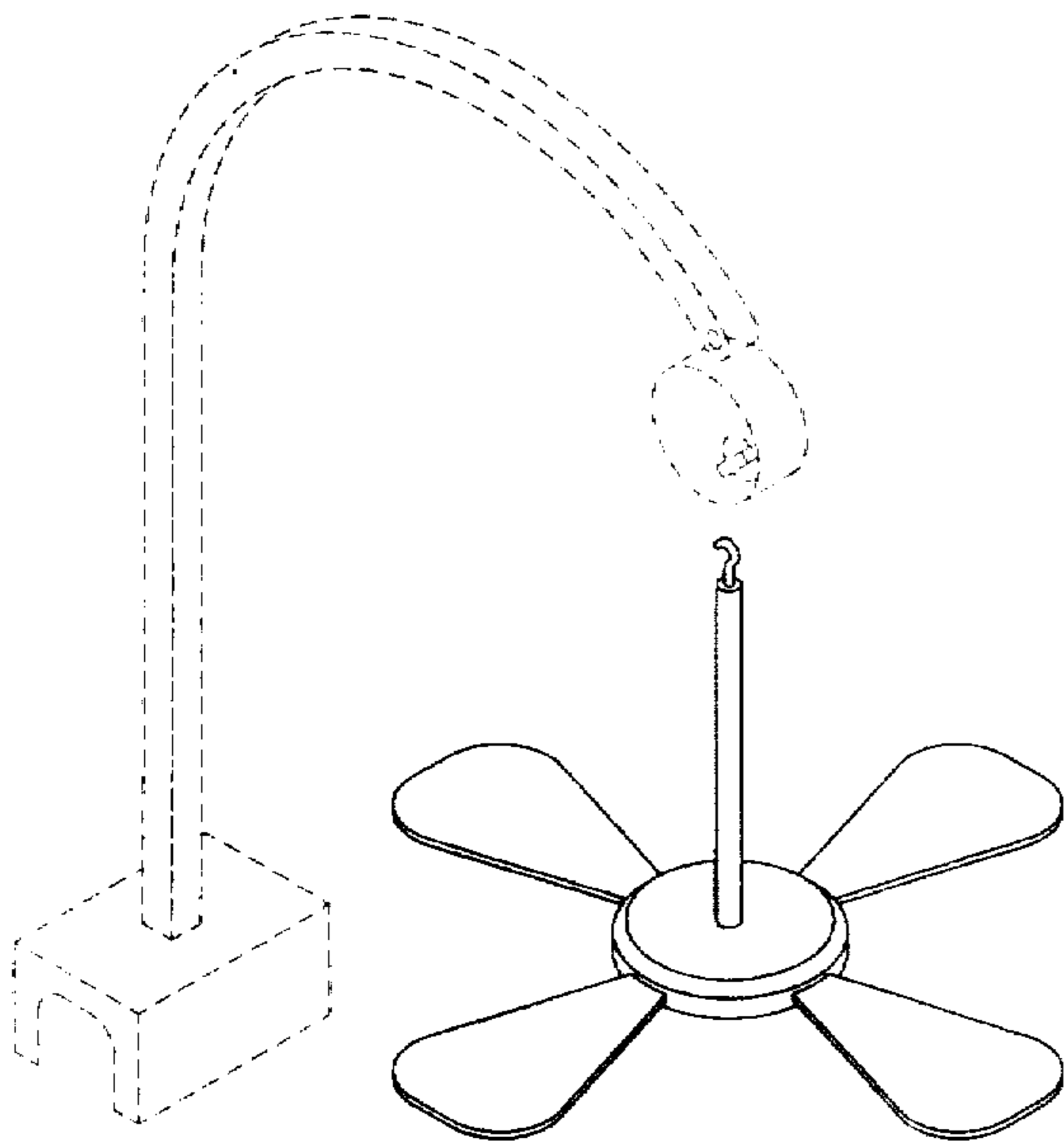
[57] **CLAIM**

The ornamental design for a toy fan mobile, as shown.

DESCRIPTION

FIG. 1 is a perspective view;
 FIG. 2 is a side elevational view;
 FIG. 3 is a top plan view;
 FIG. 4 is a bottom plan view; and,
 FIG. 5 is a perspective view of a 5 blade version of my design.
 The broken lines showing mobile support in FIGS. 1 and 5 is for illustrative purpose only and forms no part of claimed design.

1 Claim, 5 Drawing Sheets



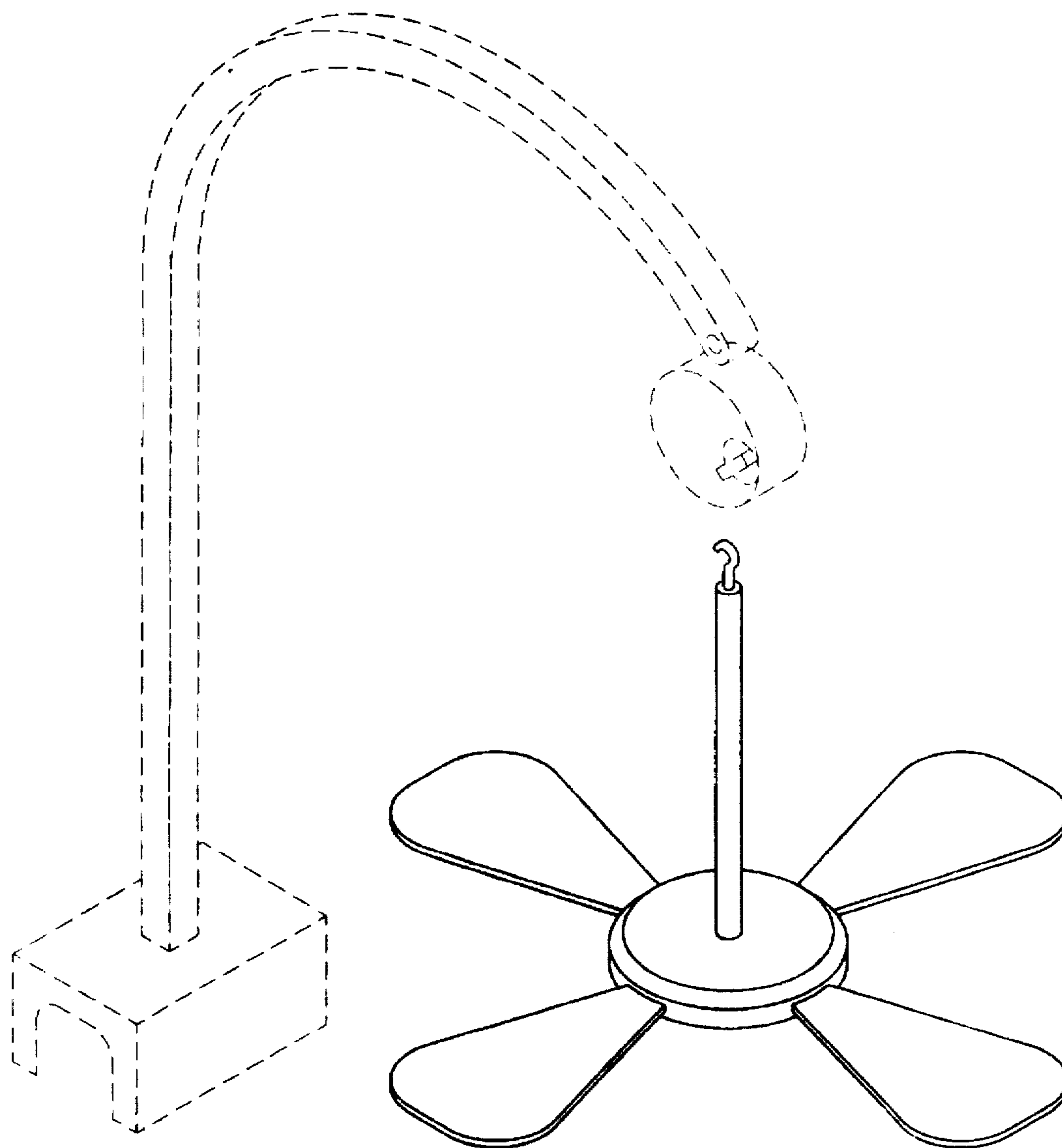


Fig. 1

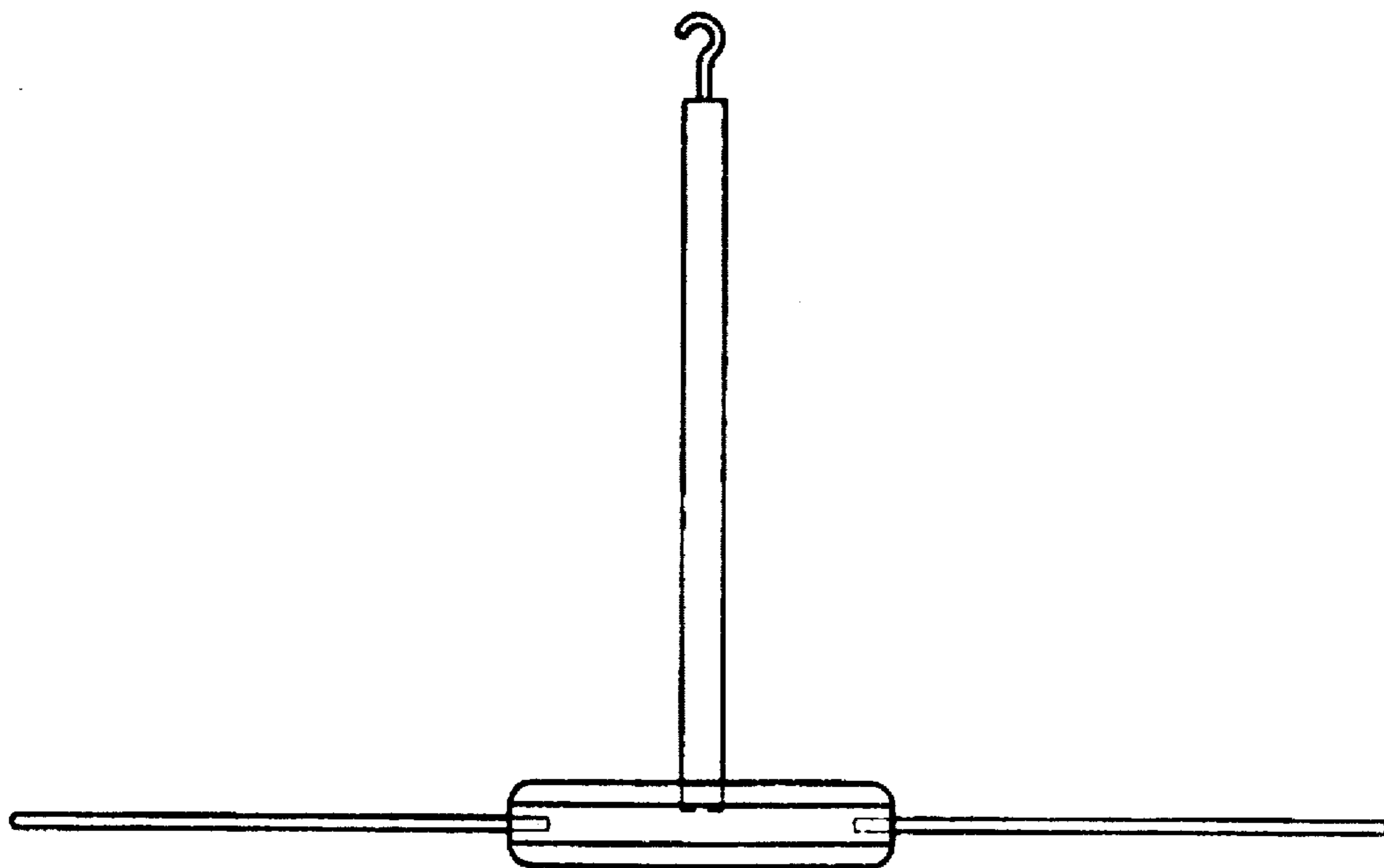


Fig. 2

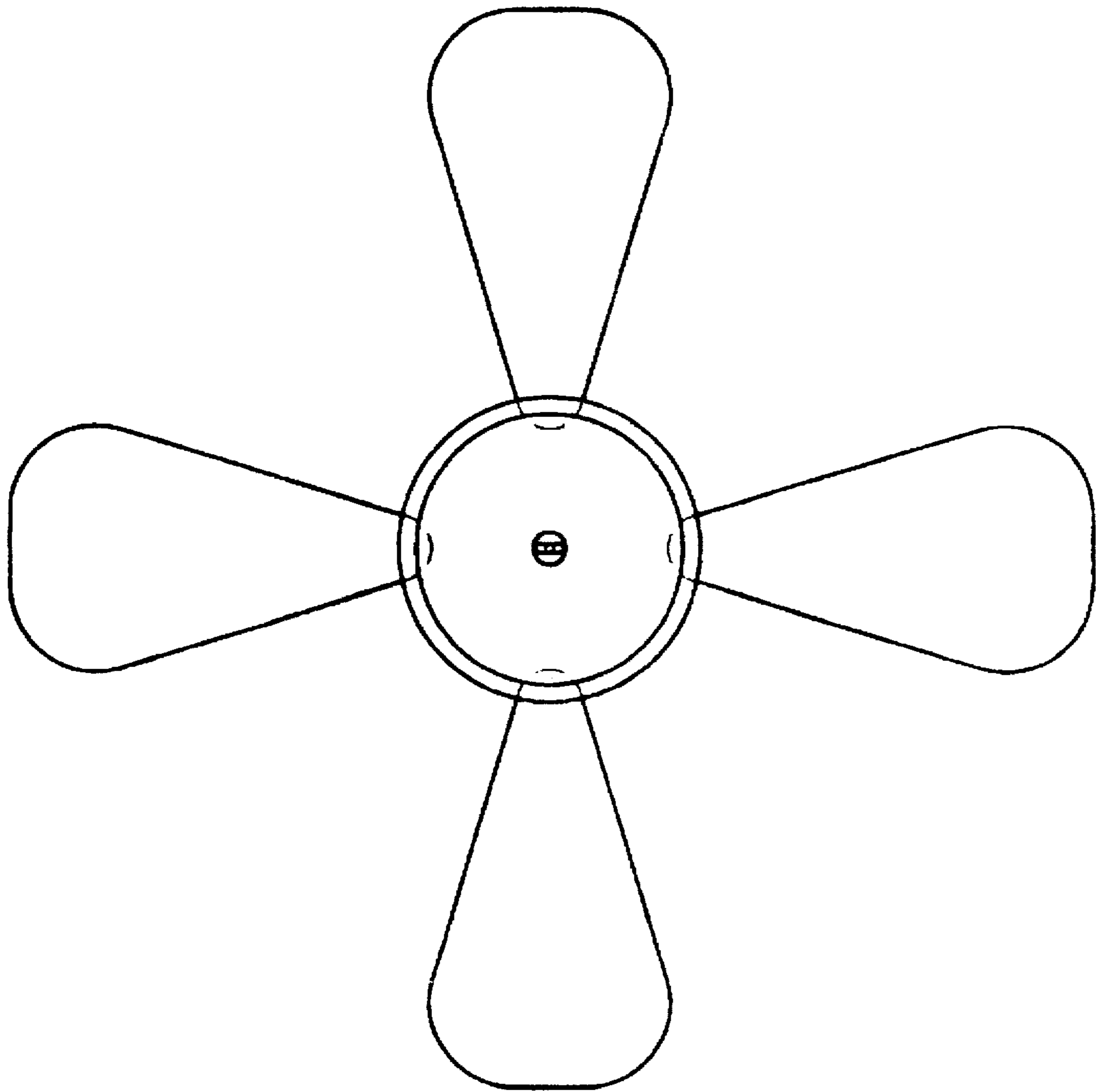


Fig. 3

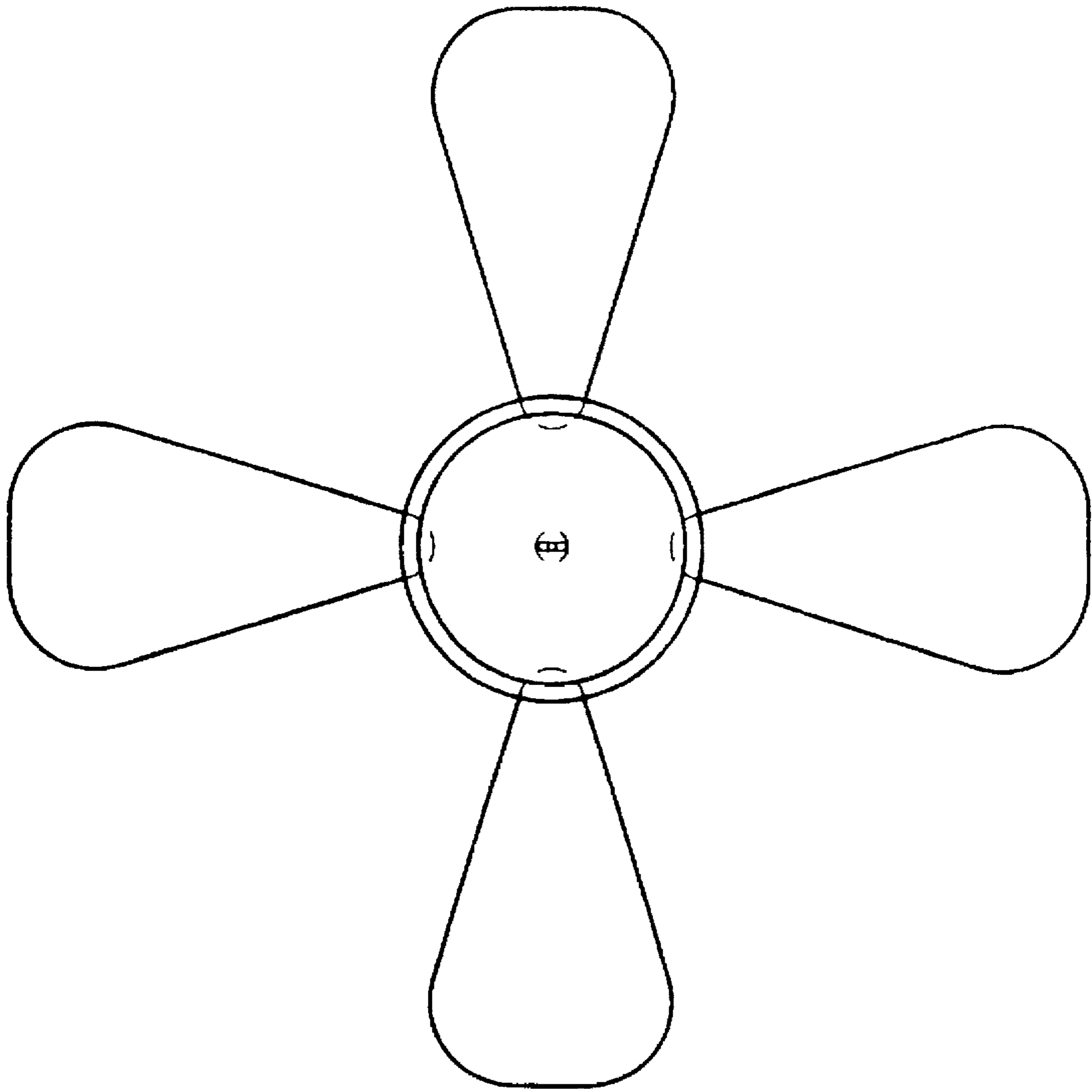


Fig. 4

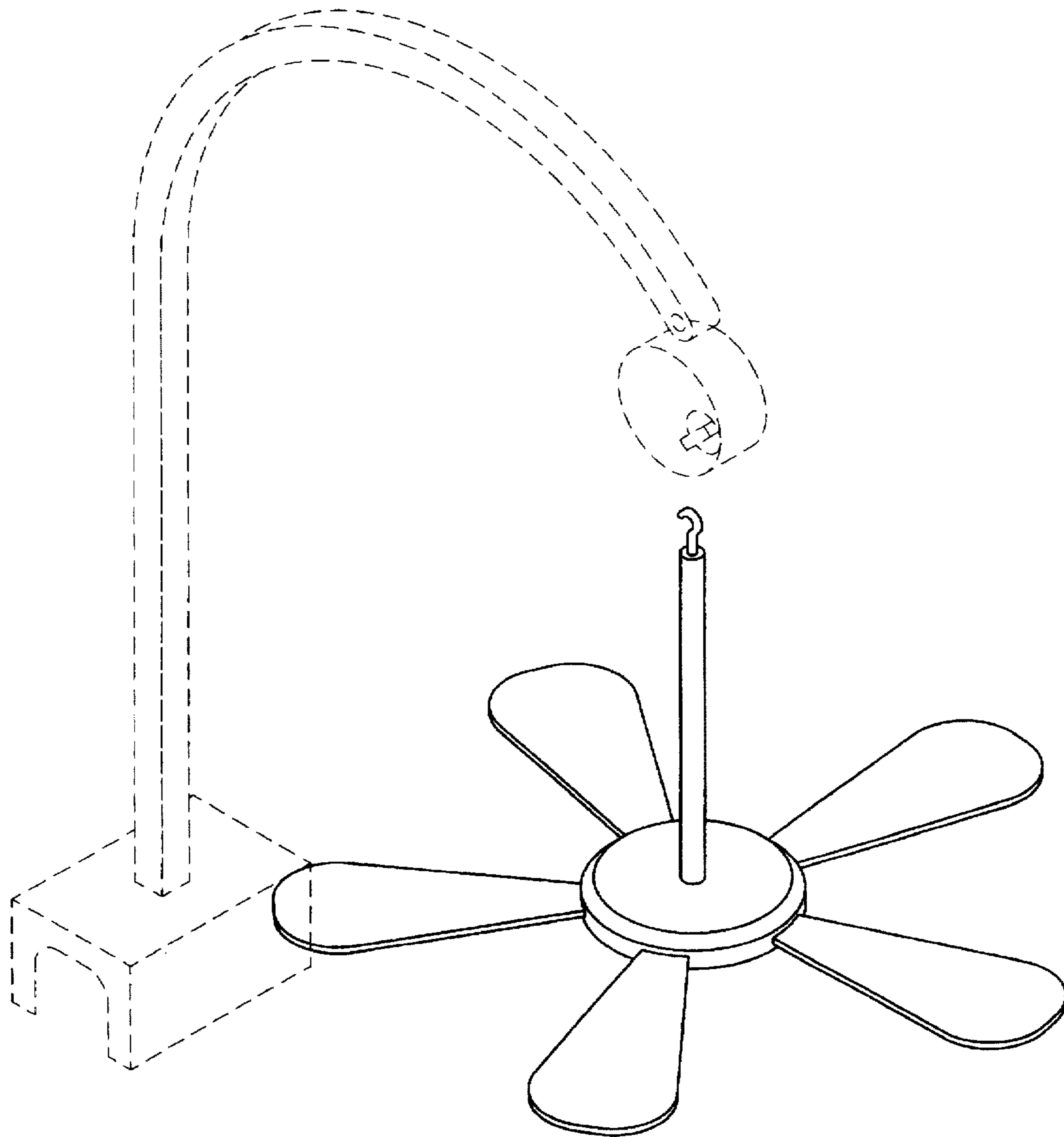


Fig. 5