

US00D392688S

United States Patent [19]

Isetani et al.

[11] Patent Number: **Des. 392,688**

[45] Date of Patent: ****Mar. 24, 1998**

[54] **GAME MACHINE**

[75] Inventors: **Yoshitsugu Isetani, Sakai; Hideki Kotani, Kobe, both of Japan**

[73] Assignee: **Konami Co., Ltd., Hyogo-ken, Japan**

[**] Term: **14 Years**

[21] Appl. No.: **66,514**

[22] Filed: **Feb. 12, 1997**

[30] **Foreign Application Priority Data**

Aug. 30, 1996 [JP] Japan 8-026065

[51] **LOC (6) Cl.** **21-01**

[52] **U.S. Cl.** **D21/13**

[58] **Field of Search** D21/1, 48, 13, D21/240; 273/148 B; 463/30-37, 46, 47, 50, 51, 52

[56] **References Cited**

U.S. PATENT DOCUMENTS

- D. 360,901 8/1995 Slater D21/13
- D. 363,090 10/1995 Chung-Po D21/13
- D. 364,755 12/1995 Suarez D21/13 X

- D. 376,391 12/1996 Okumura D21/13
- D. 380,779 7/1997 Shinzato D21/13
- 4,659,313 4/1987 Kuster et al. 463/37 X
- 4,960,117 10/1990 Moncrief et al. 463/46
- 5,320,351 6/1994 Suzuki 463/33 X

OTHER PUBLICATIONS

Vending Times, p. 59, Apr. 1975.
Vending Times, p. 76, May 1979.

Primary Examiner—Prabhakar G. Deshmukh
Attorney, Agent, or Firm—Jordan and Hamburg

[57] **CLAIM**

The ornamental design for a game machine, as shown and described.

DESCRIPTION

FIG. 1 is a front view of a game machine of the design; FIG. 2 is a rear view of the game machine; FIG. 3 is a left side view of the game machine; FIG. 4 is a right side view of the game machine; FIG. 5 is a top view of the game machine; FIG. 6 is a bottom view of the game machine; and, FIG. 7 is a perspective view of the game machine.

1 Claim, 7 Drawing Sheets

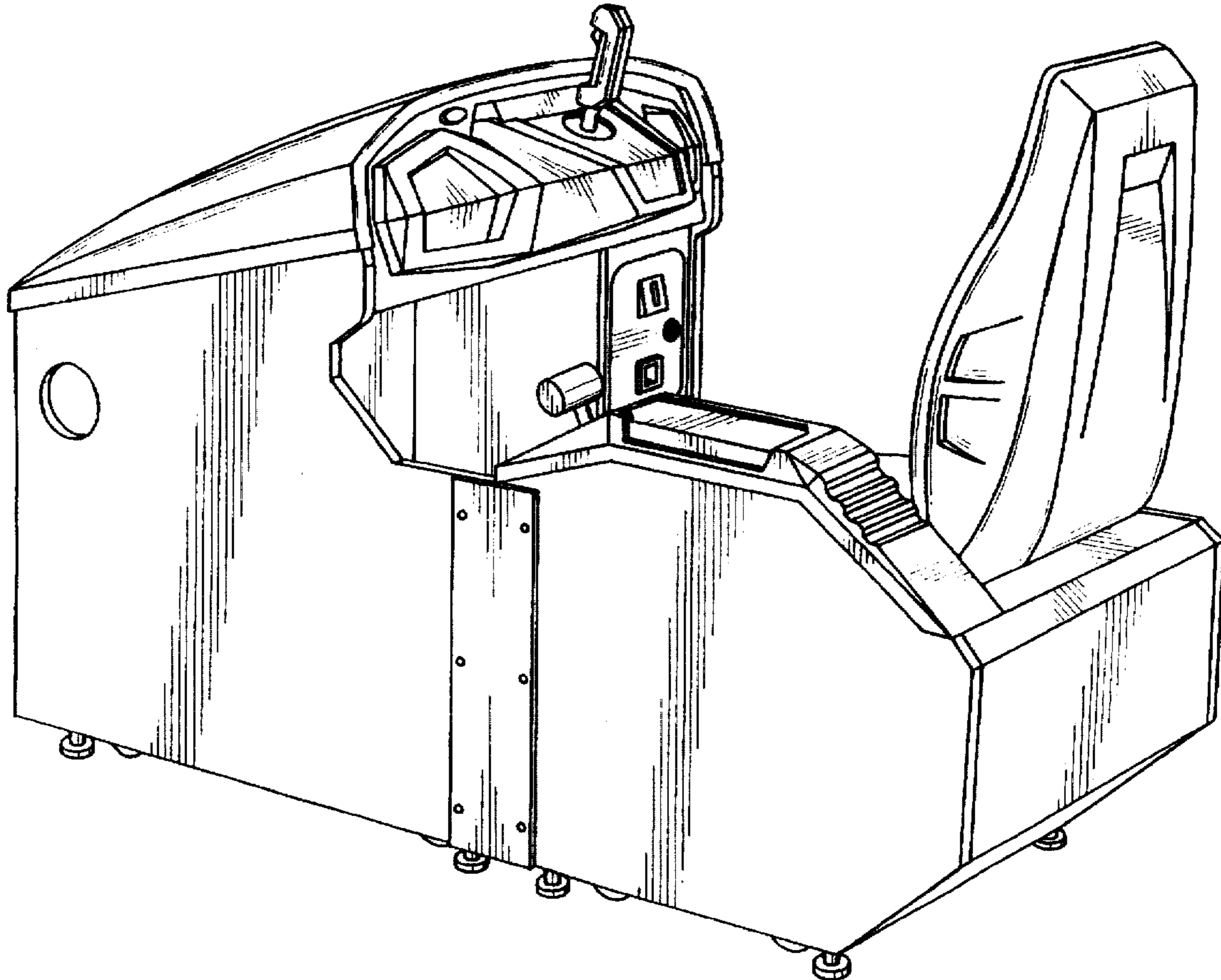


FIG. 1

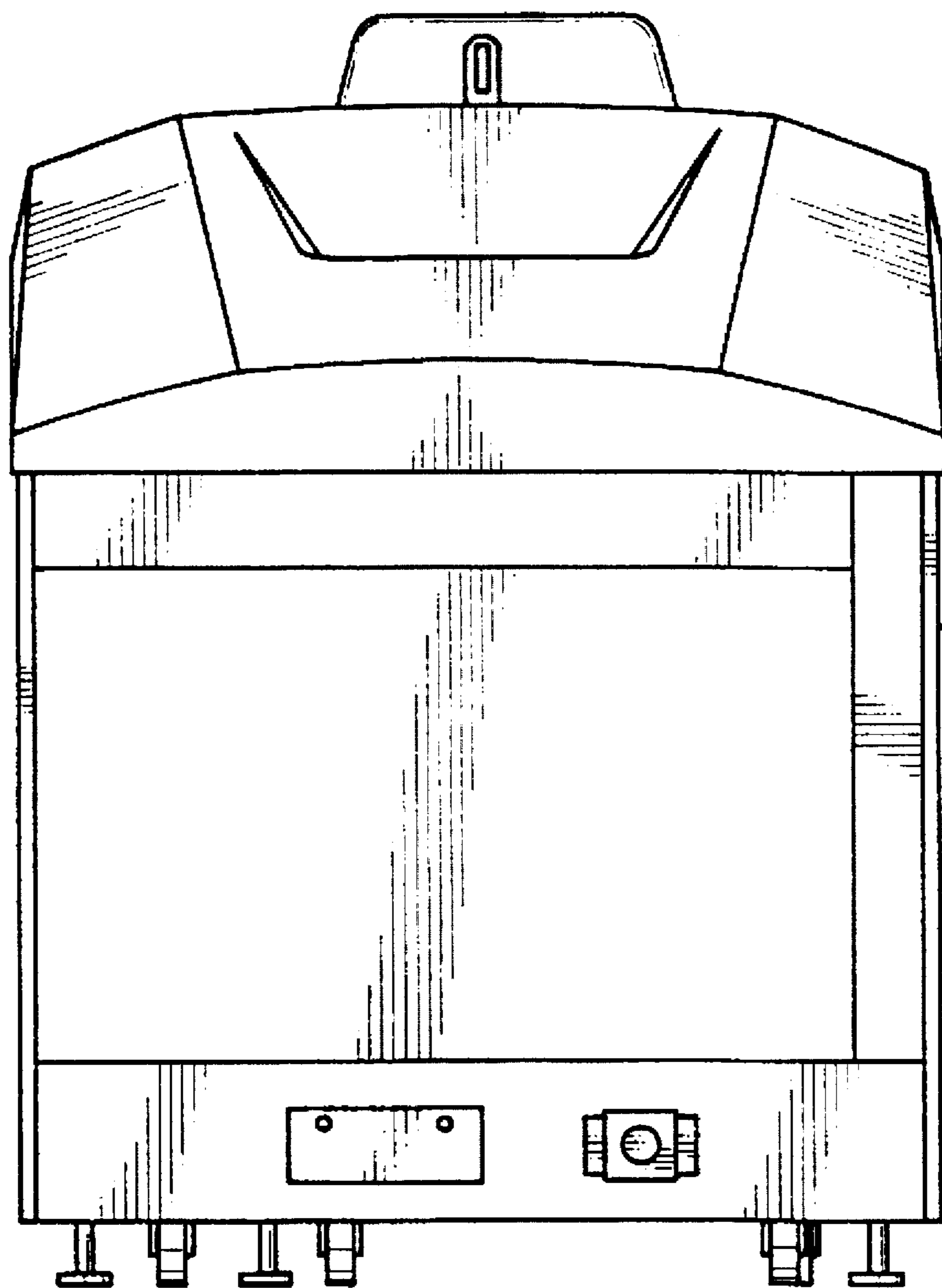


FIG. 2

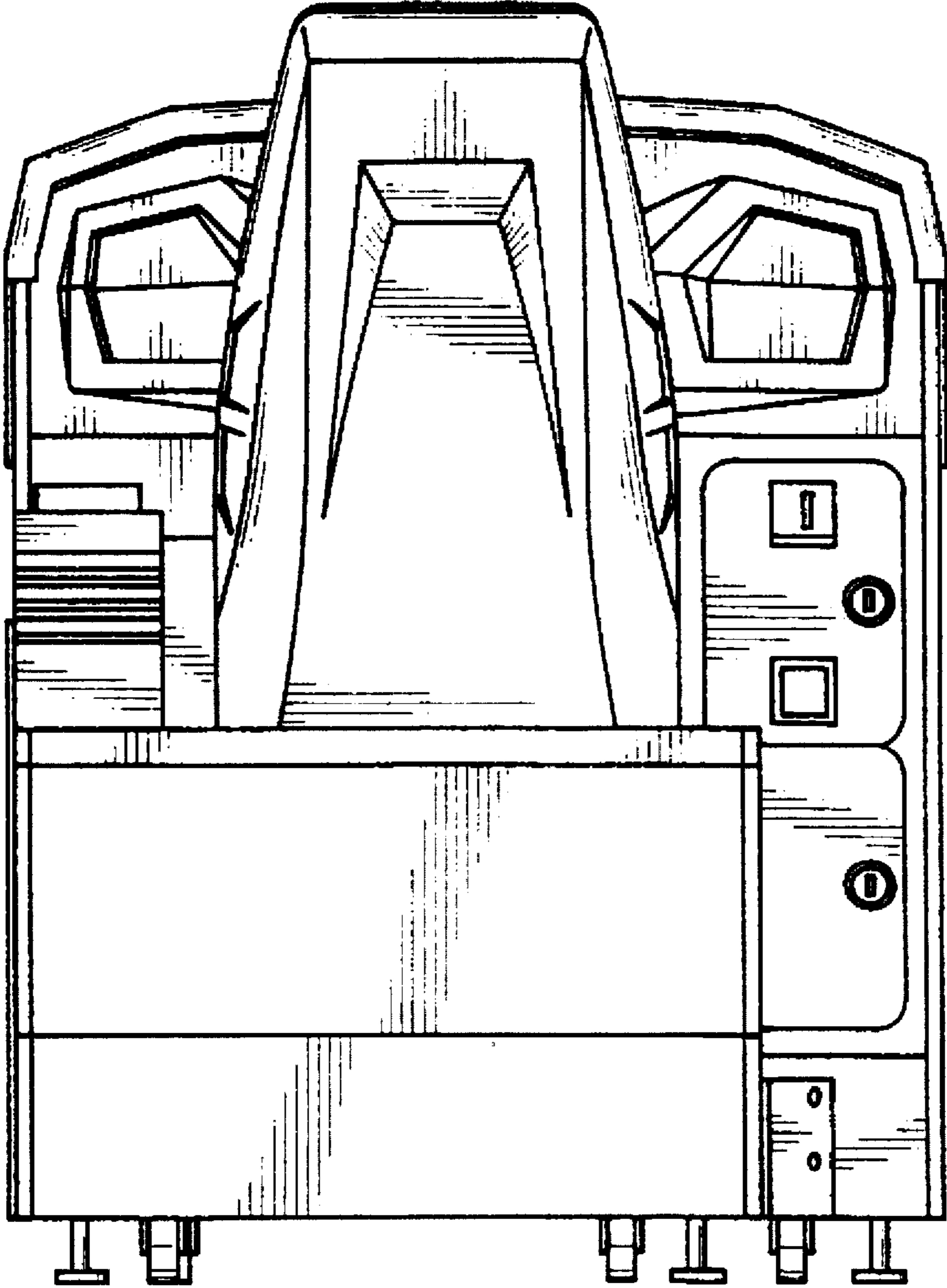


FIG. 3

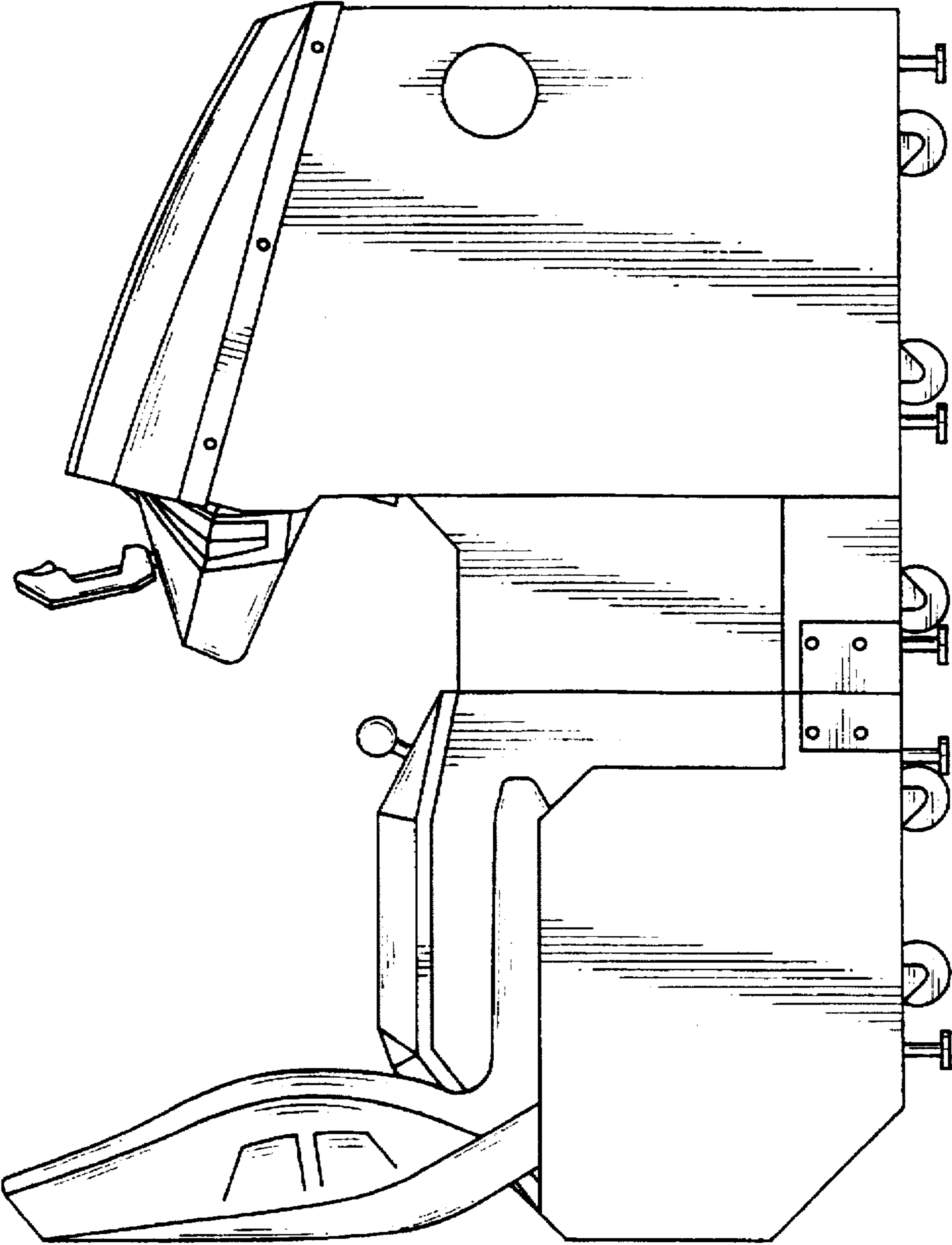


FIG. 4

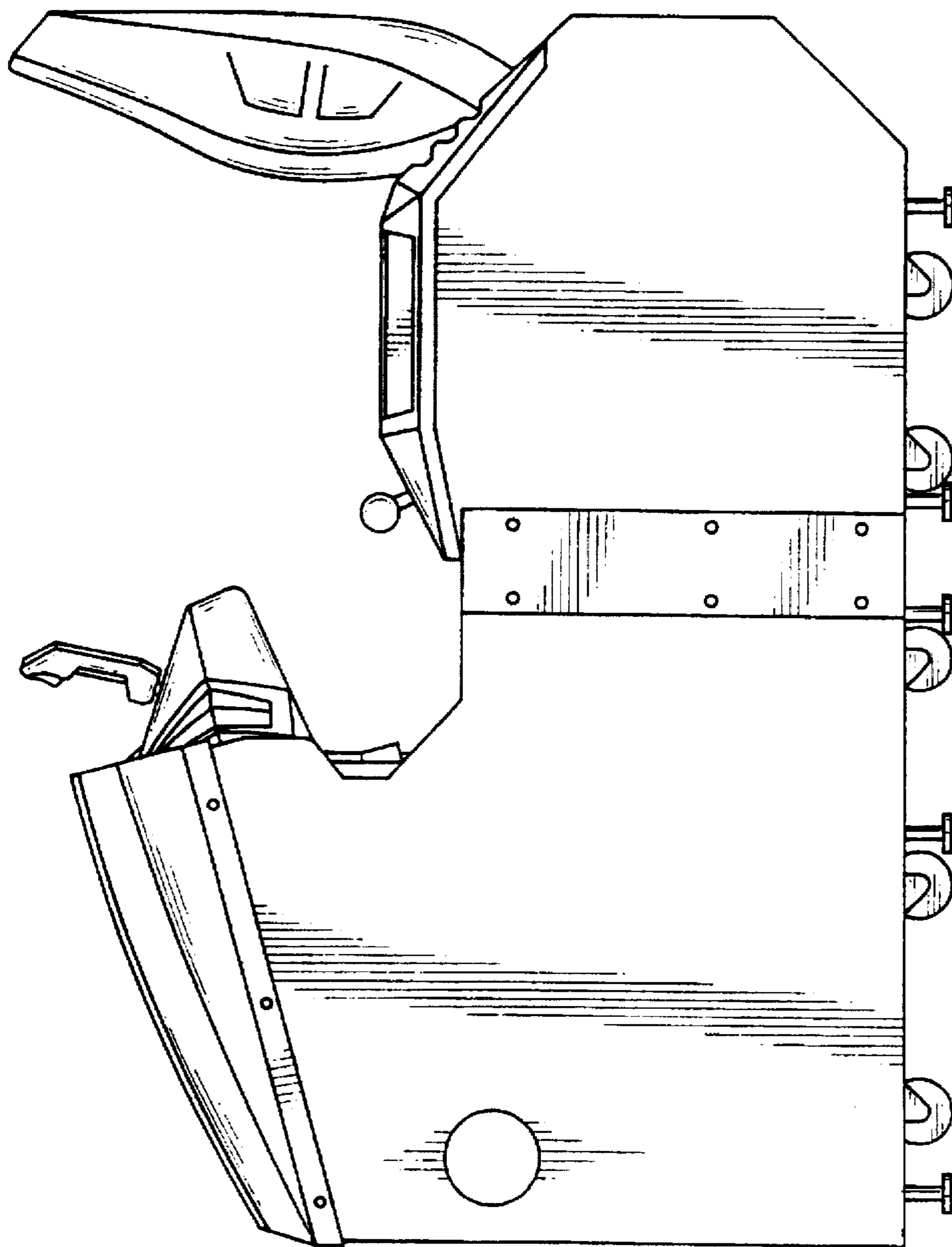


FIG. 5

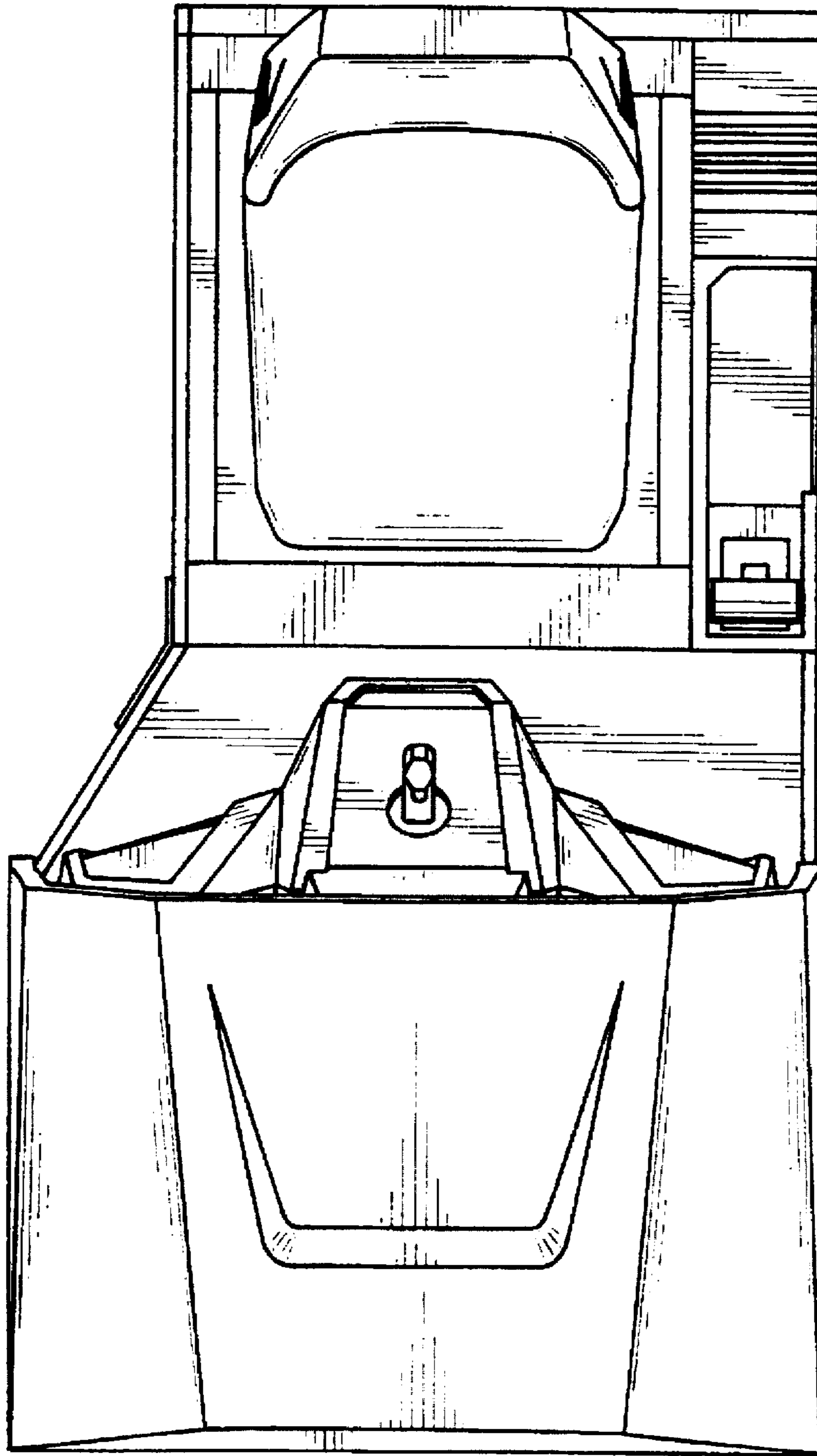


FIG. 6

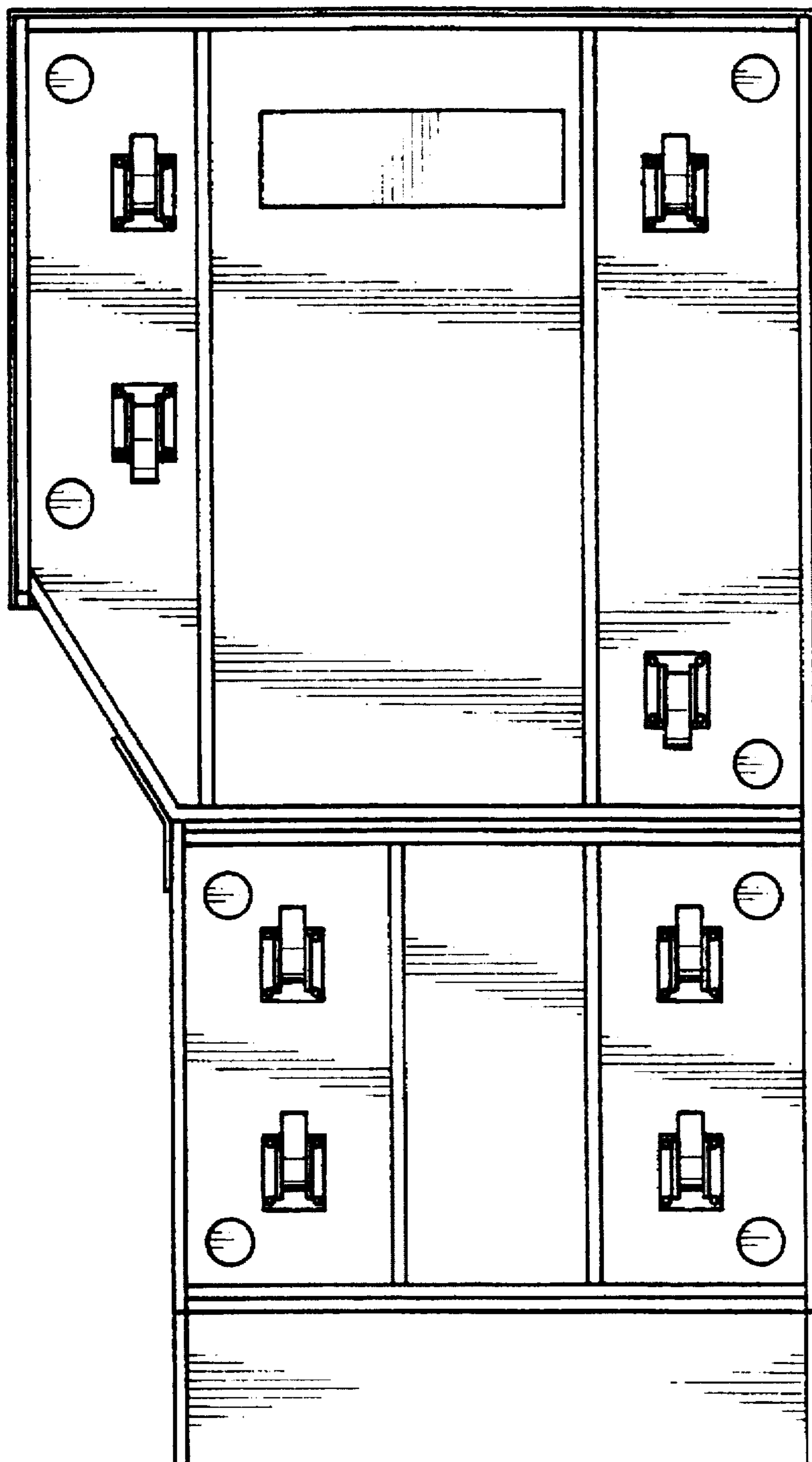


FIG. 7

