



US00D392686S

United States Patent [19]

Sarkisian et al.

[11] Patent Number: **Des. 392,686**

[45] Date of Patent: ****Mar. 24, 1998**

[54] **SIGN STAND WITH ROLLING BASE**

[75] Inventors: **Robert Sarkisian**, Southfield; **David J. Muir**, West Bloomfield; **David U. Hillstrom**, Novi, all of Mich.

[73] Assignee: **Marketing Displays, Inc.**, Farmington Hills, Mich.

[**] Term: **14 Years**

[21] Appl. No.: **61,127**

[22] Filed: **Oct. 16, 1996**

[51] **LOC (6) Cl.** **20-02**

[52] **U.S. Cl.** **D20/41; D20/21**

[58] **Field of Search** **D20/41, 21, 10; 40/584, 606, 607, 608**

4,145,828	3/1979	Hillstrom .	
4,280,294	7/1981	Eckberg, II .	
4,288,053	9/1981	Sarkisian .	
4,519,152	5/1985	Seely et al. .	
4,548,379	10/1985	Seely et al. .	
4,569,499	2/1986	Seely .	
4,593,879	6/1986	Seely et al. .	
4,691,892	9/1987	Grewe et al. .	
4,766,686	8/1988	Glasener	40/608 X
4,937,959	7/1990	Palmer .	
4,958,458	9/1990	Hillstrom et al. .	

Primary Examiner—Susan J. Lucas
Assistant Examiner—Jennifer Register
Attorney, Agent, or Firm—Brooks & Kushman

[57] CLAIM

The ornamental design for the sign stand with rolling base, as shown and described.

DESCRIPTION

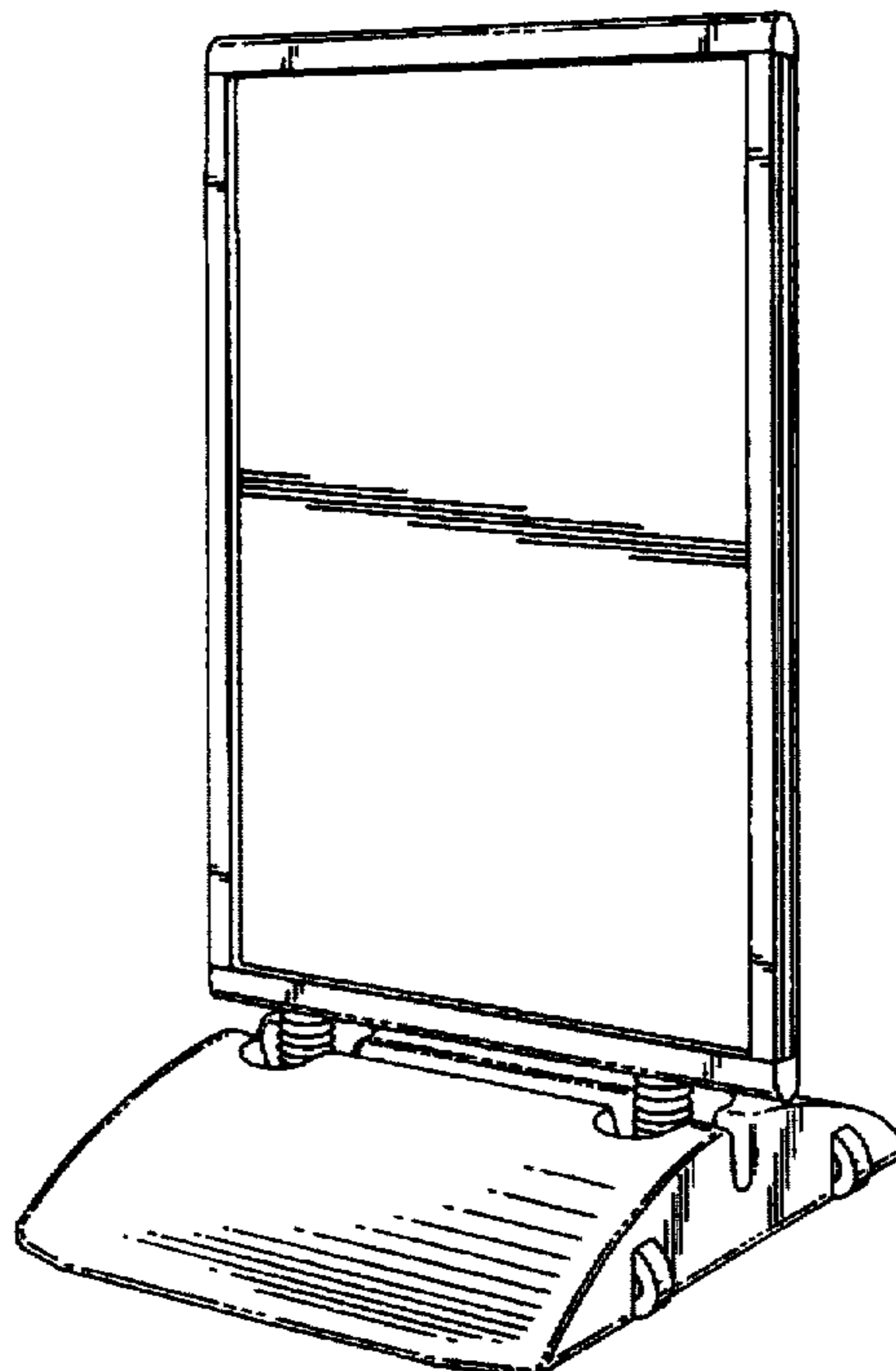
FIG. 1 is a perspective view of a sign stand with rolling base, according to the invention;
FIG. 2 is a front elevational view of the sign stand with rolling base according to the invention;
FIG. 3 is a top plan view of the sign stand with rolling base according to the invention;
FIG. 4 is a bottom plan view of the sign stand with rolling base according to the invention;
FIG. 5 is a right side view of the sign stand with rolling base according to the invention; and,
FIG. 6 is a left side view of the sign stand with rolling base according to the invention.
The claimed design is fragmentarily shown for convenience of illustration.

[56] References Cited

U.S. PATENT DOCUMENTS

32,359	2/1861	Seely .	
D. 351,863	10/1994	Sarkisian et al. .	
D. 367,077	2/1996	Chapman	D20/21
1,505,046	8/1924	Lush .	
1,598,438	8/1926	Hallowell .	
1,887,894	11/1932	Schwab .	
1,918,933	7/1933	Rogers .	
2,064,127	12/1936	Schneider .	
2,388,180	10/1945	Pulver, Jr. .	
2,454,648	11/1948	Green .	
2,863,238	12/1958	Keech .	
3,310,901	3/1967	Sarkisian .	
3,646,696	3/1972	Sarkisian .	
3,662,482	5/1972	Sarkisian .	
4,033,536	7/1977	Hillstrom	40/608 X

1 Claim, 3 Drawing Sheets



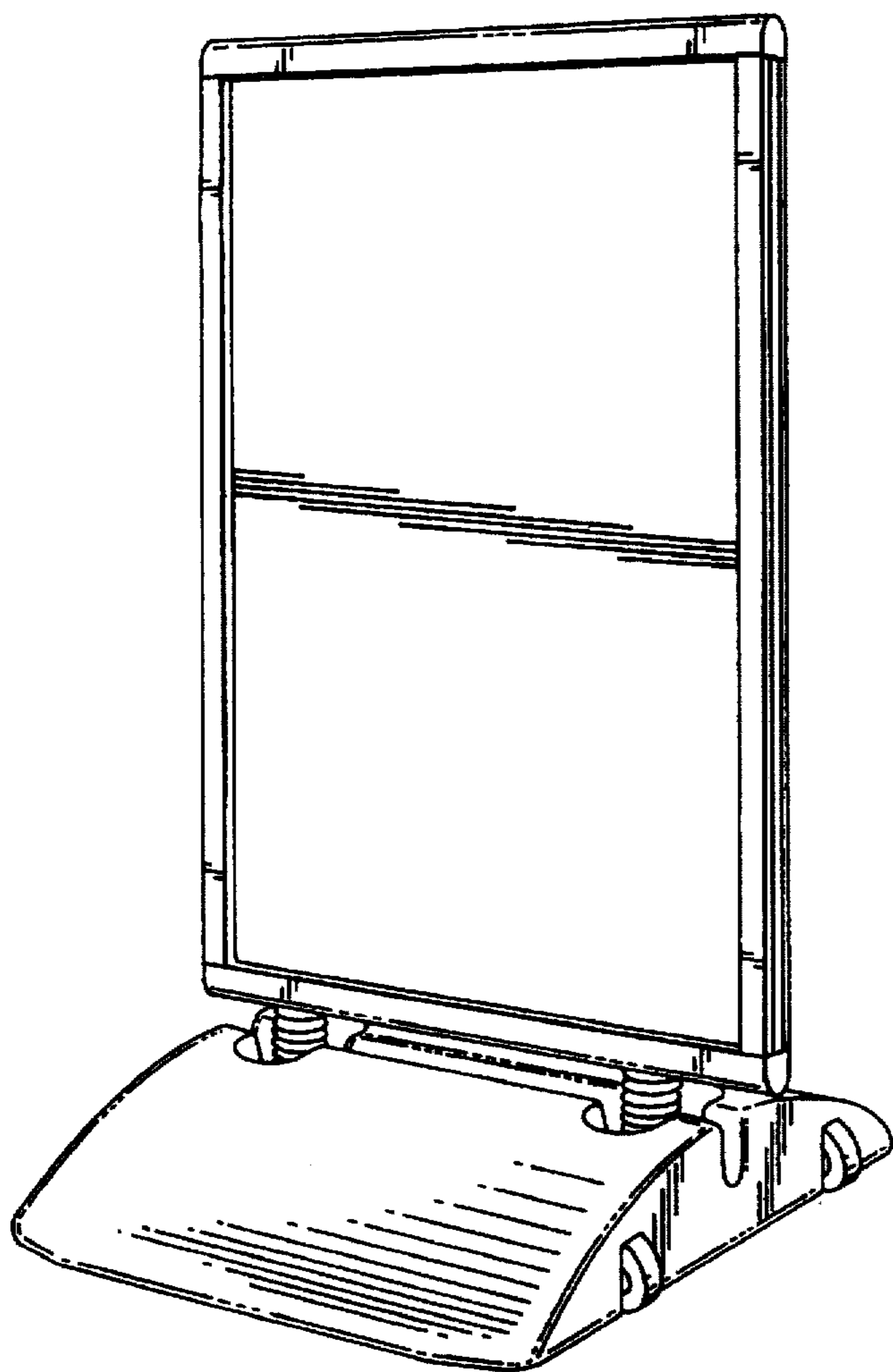


FIG. 1

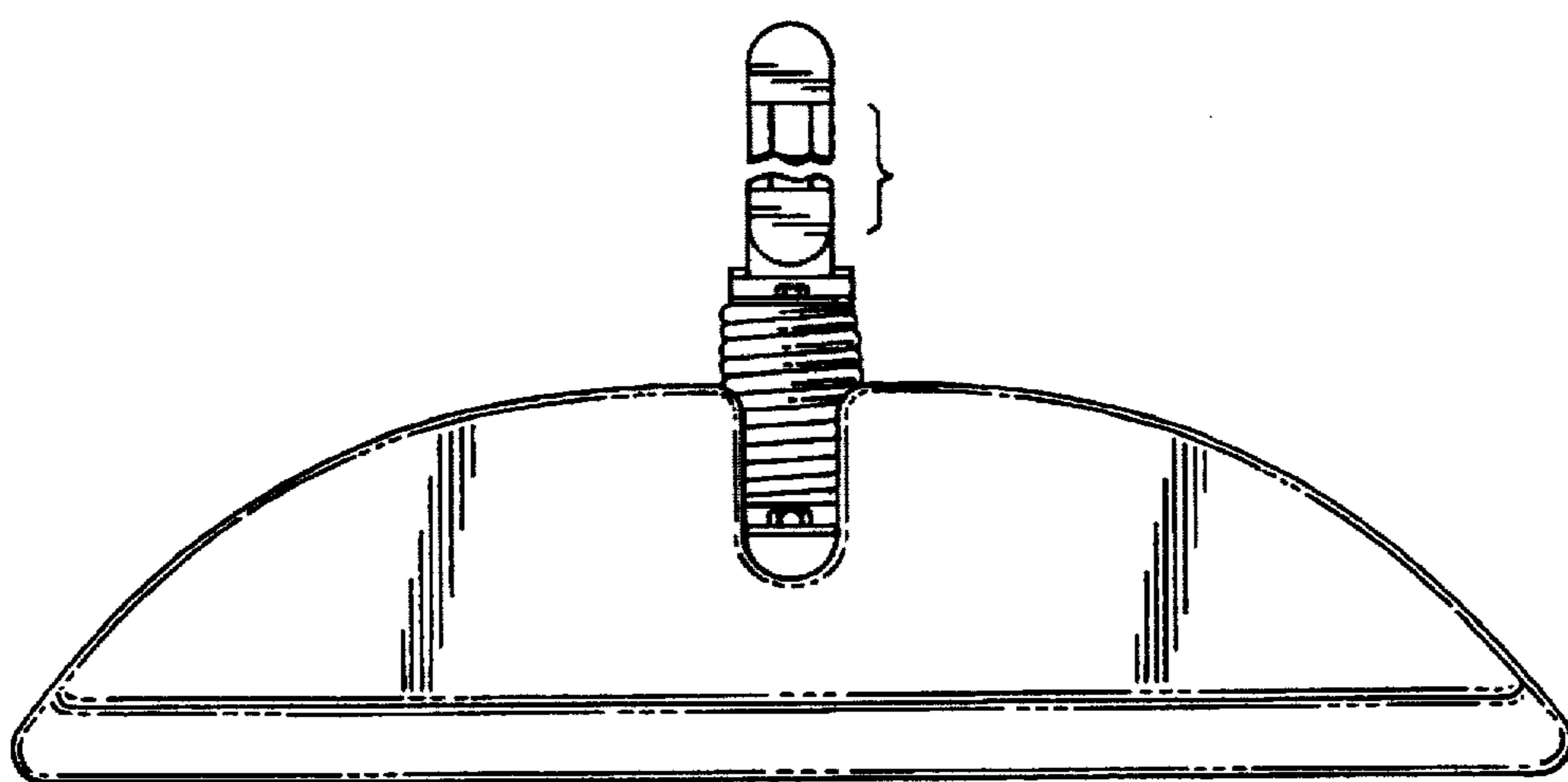


FIG. 6

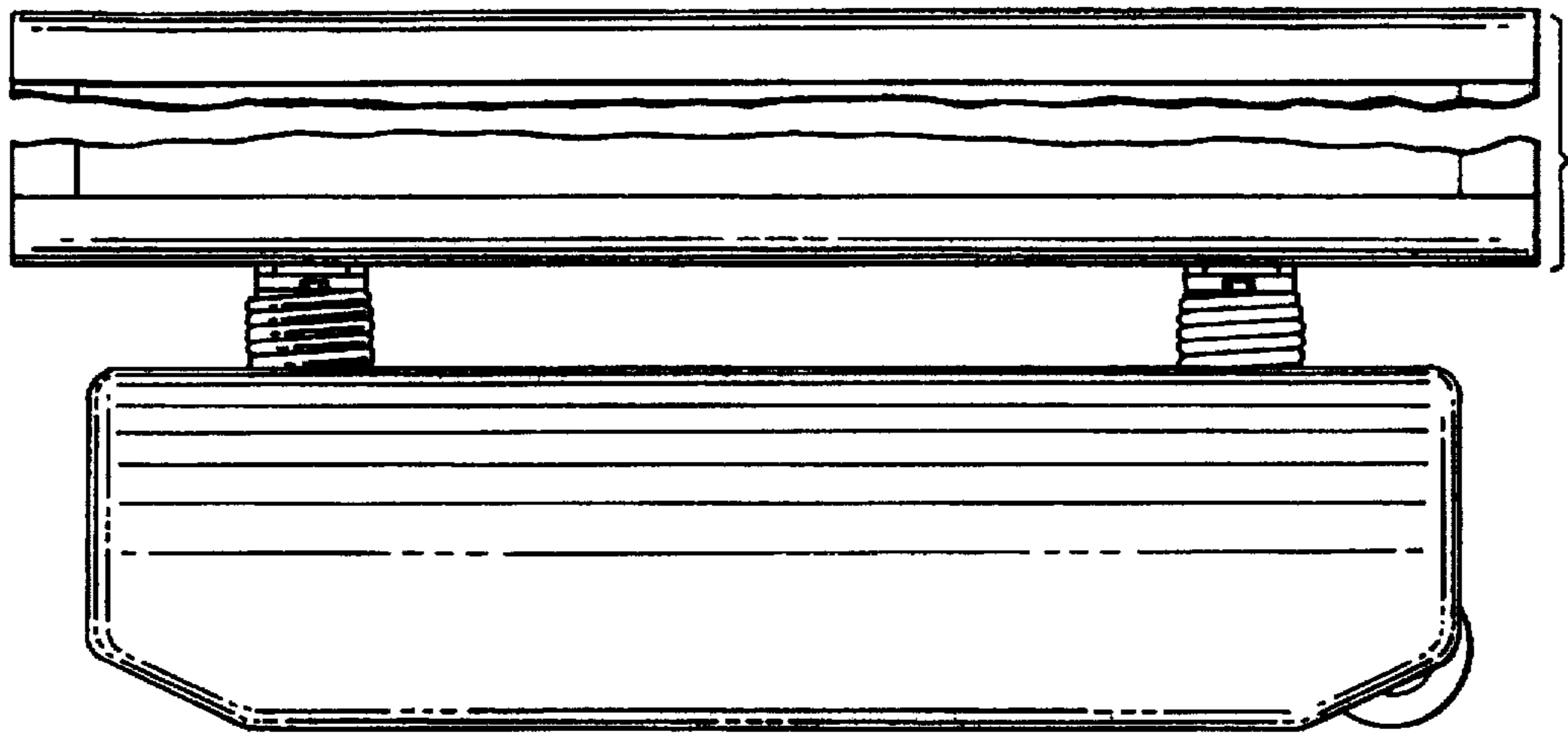


FIG. 2

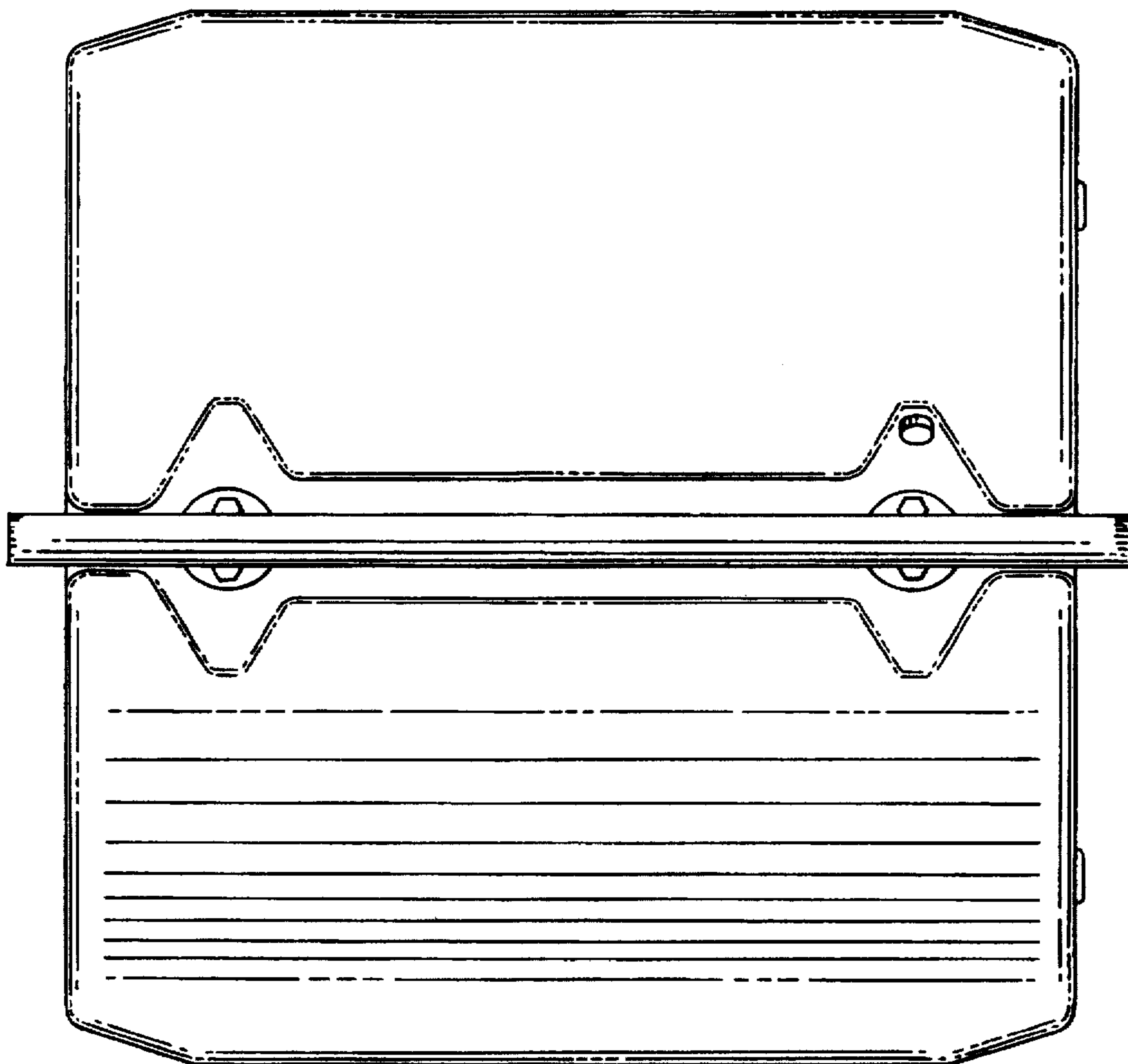


FIG. 3

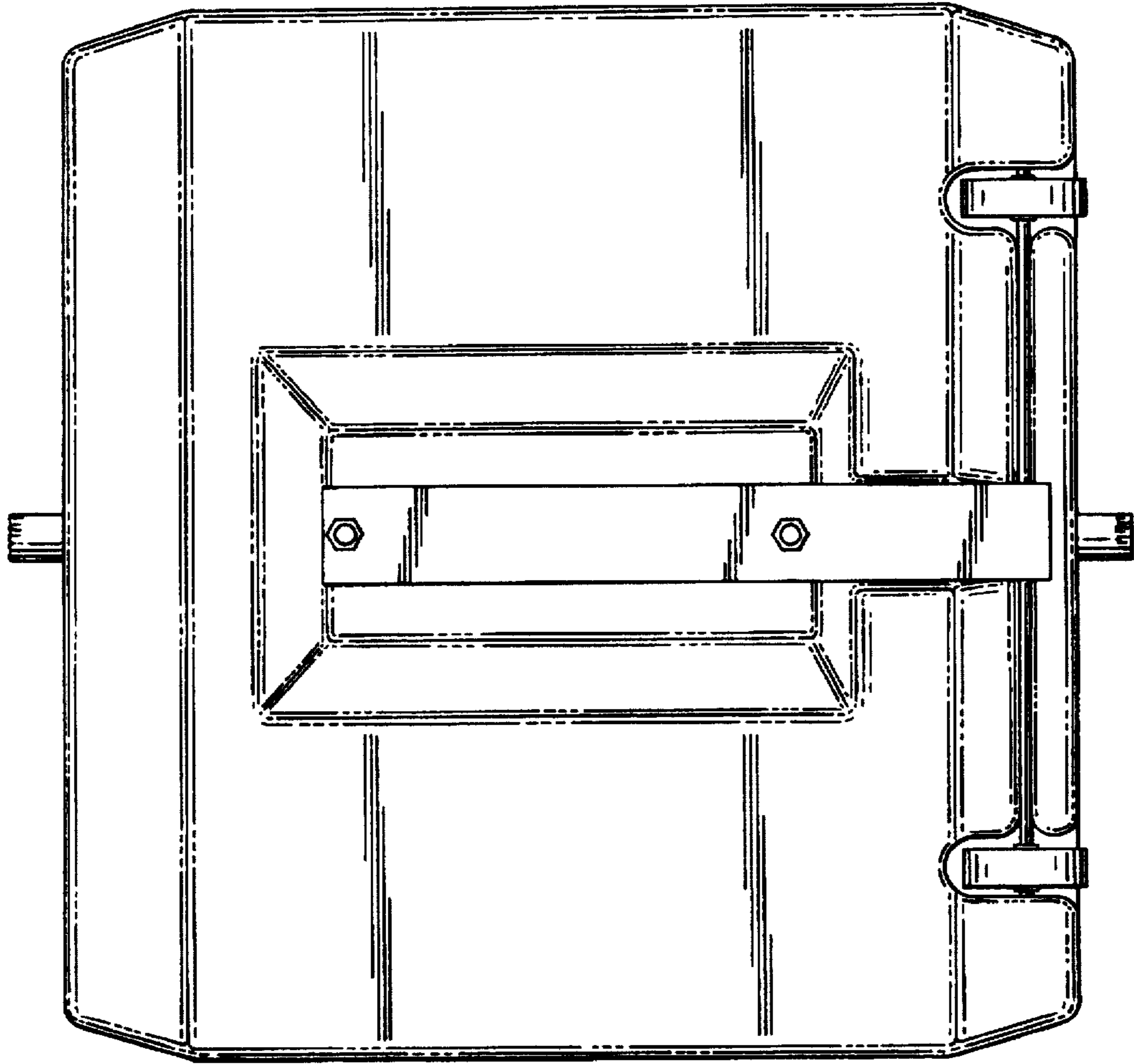


FIG. 4

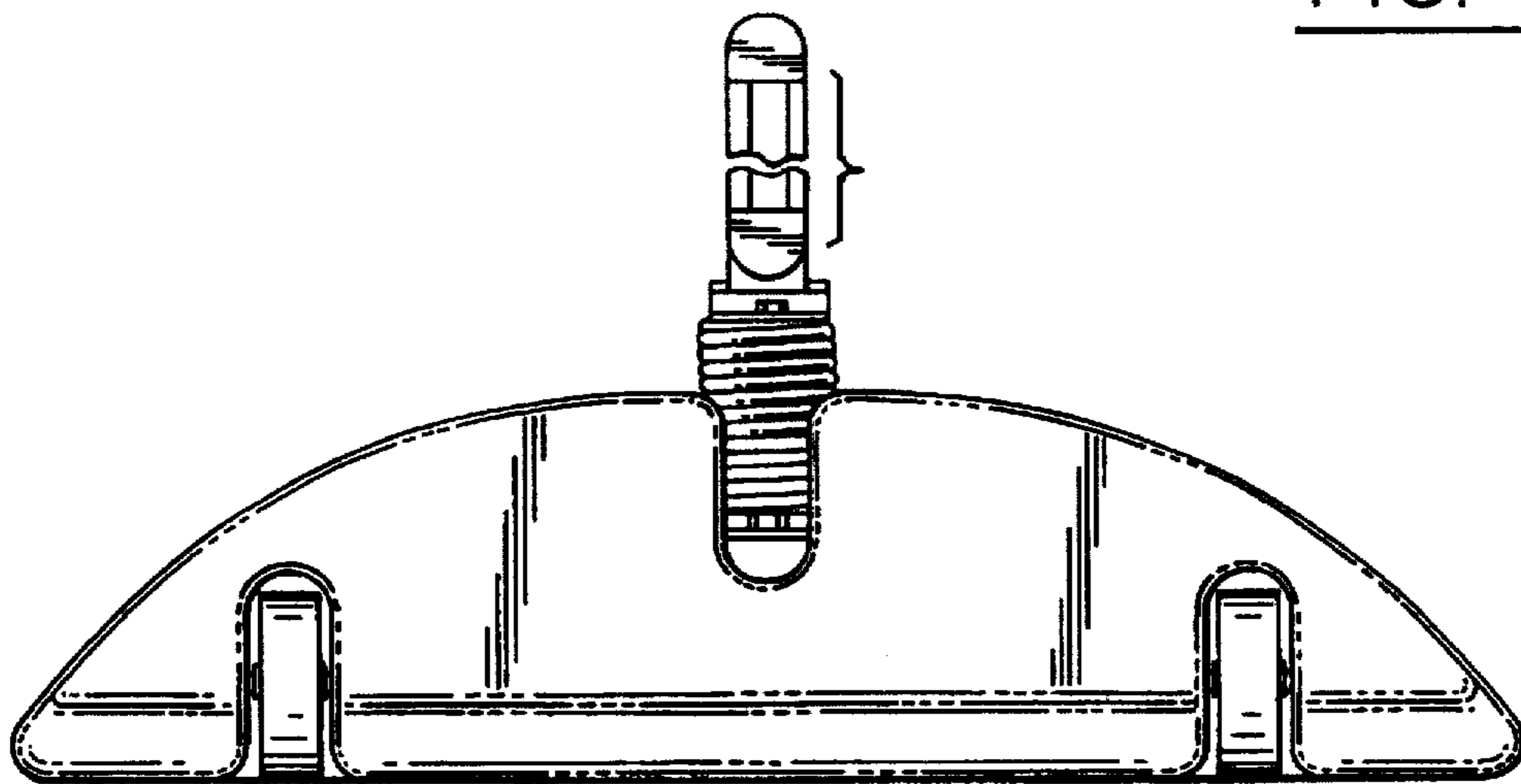


FIG. 5