

US00D392685S

United States Patent [19]
Smith

[11] **Patent Number: Des. 392,685**
[45] **Date of Patent: **Mar. 24, 1998**

[54] **TIP HOLDER**

[76] **Inventor: Lois J. Smith, 1517 Lampeter Rd. Box 78, Lampeter, Pa. 17537-0078**

[**] **Term: 14 Years**

[21] **Appl. No.: 73,291**

[22] **Filed: Jul. 21, 1997**

[51] **LOC (6) Cl. 20-02**

[52] **U.S. Cl. D20/40; D20/27**

[58] **Field of Search D20/10, 22, 42, D20/40, 43, 44; 40/5, 6, 1.5, 1.6, 642.02, 649, 661, 124.06, 654.01, 299**

[56] **References Cited**

U.S. PATENT DOCUMENTS

D. 265,485	7/1982	Liptak	D20/10
D. 274,099	6/1984	Belser	D20/27
D. 332,803	1/1993	Forslund	D20/22
4,016,664	4/1977	Kaufmann	40/642.02
5,245,775	9/1993	Goserud	40/654.01

OTHER PUBLICATIONS

FIGS. 3 -85 Luggage Tag with Vinyl Pocket, *TAGS*, p. 62, May 1985.

Primary Examiner—Susan J. Lucas
Assistant Examiner—Jennifer Rivard

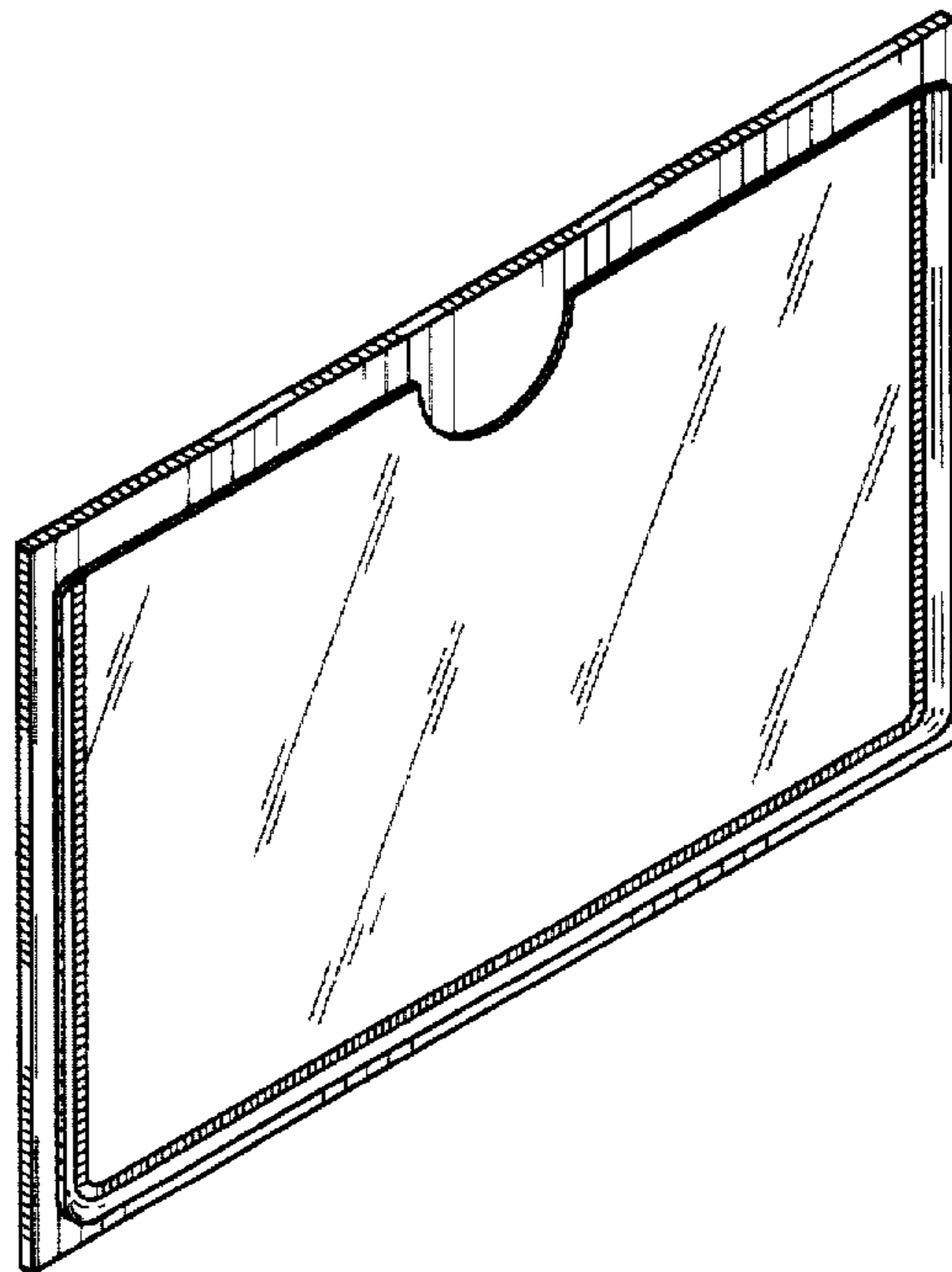
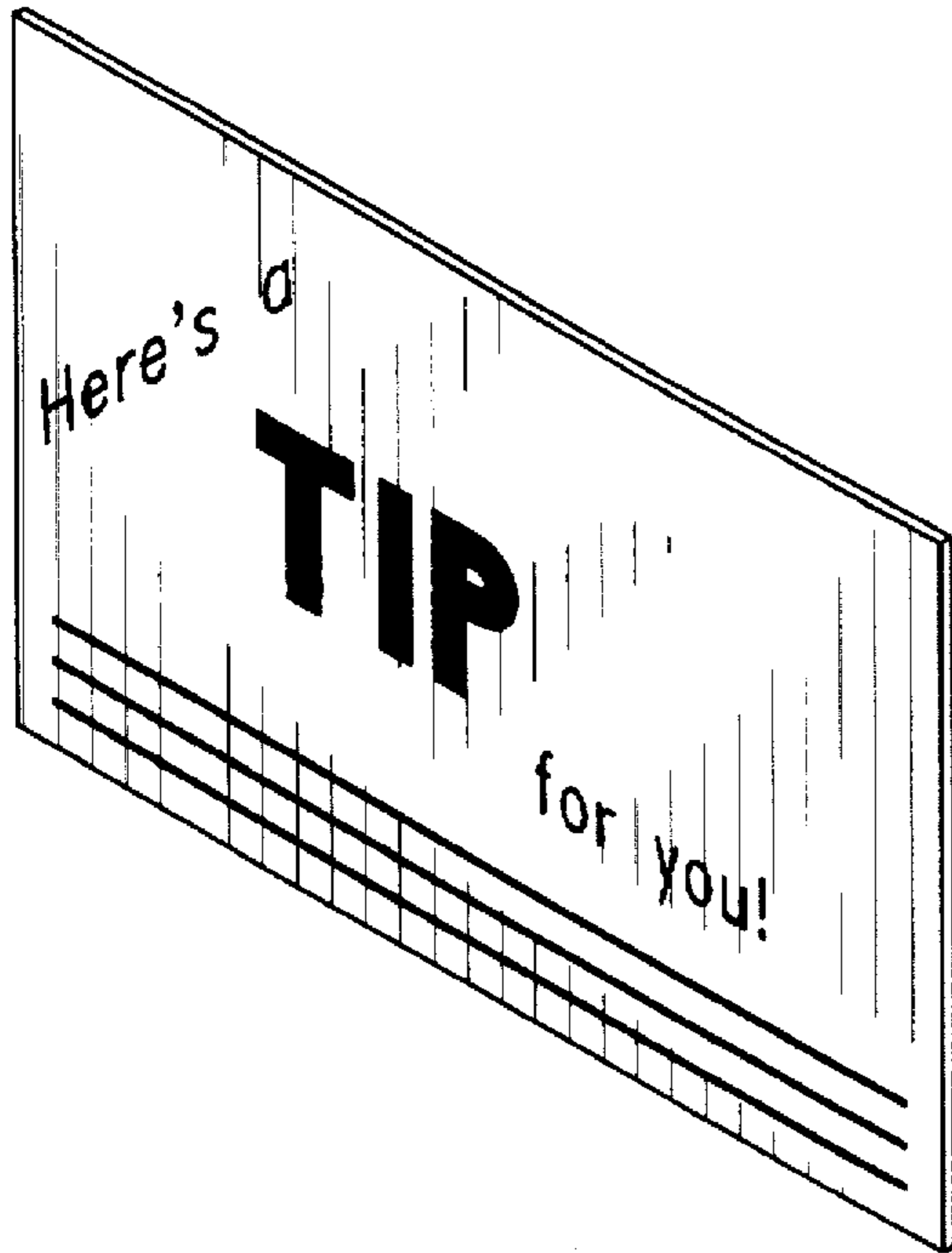
[57] **CLAIM**

The ornamental design for a tip holder, as shown and described.

DESCRIPTION

FIG. 1 is a front elevation view of the tip holder of the present invention;
FIG. 2 is a back elevation view of the tip holder of FIG. 1;
FIG. 3 is a left elevation plan view of the tip holder of FIG. 1;
FIG. 4 is a right elevation plan view of the tip holder of FIG. 1;
FIG. 5 is a top plan view of the tip holder of FIG. 1;
FIG. 6 is a bottom plan view of the tip holder of FIG. 1;
FIG. 7 is a front perspective view of the tip holder of FIG. 1; and,
FIG. 8 is a back perspective view of the tip holder of FIG. 1.

1 Claim, 3 Drawing Sheets



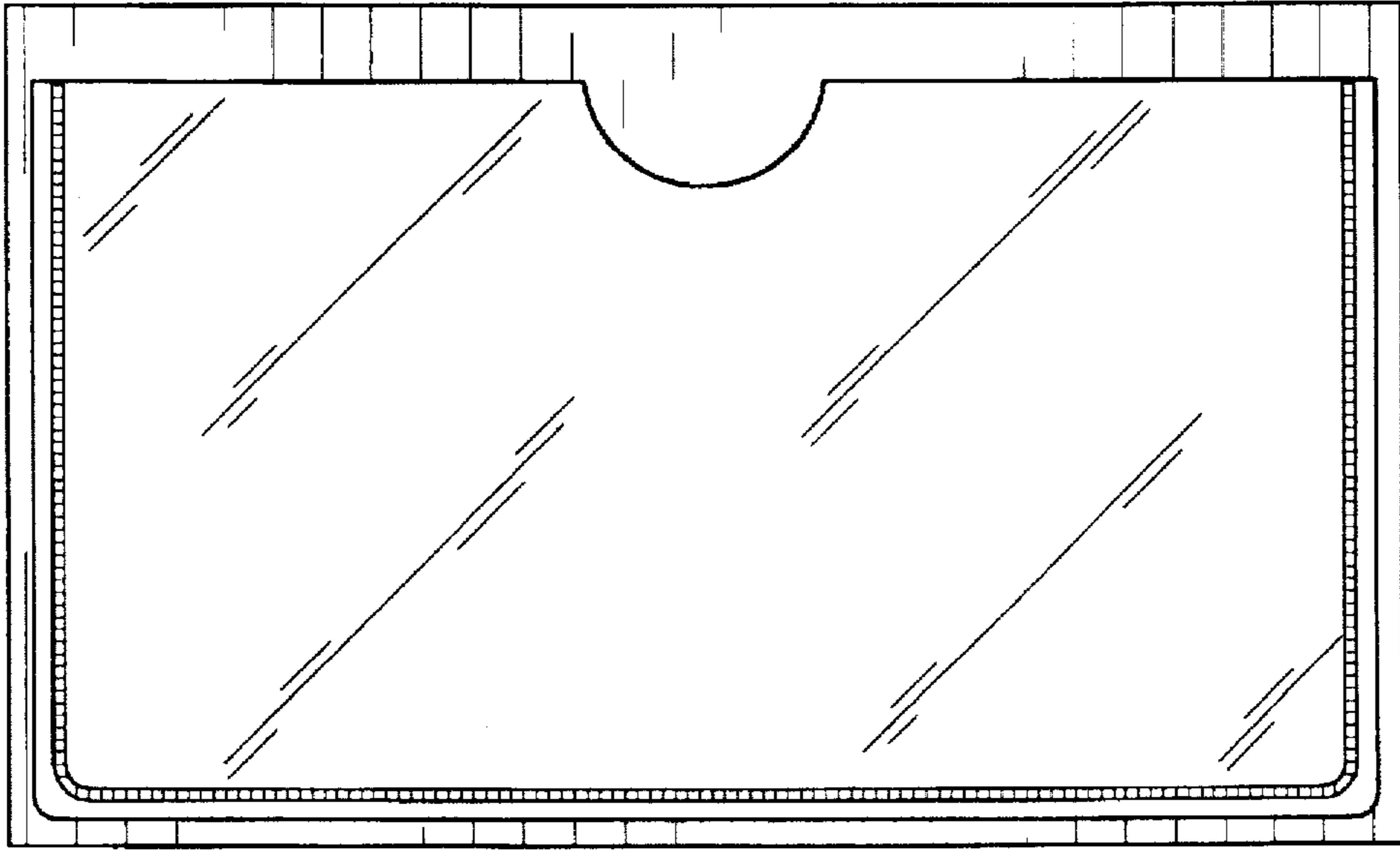


Fig. 2

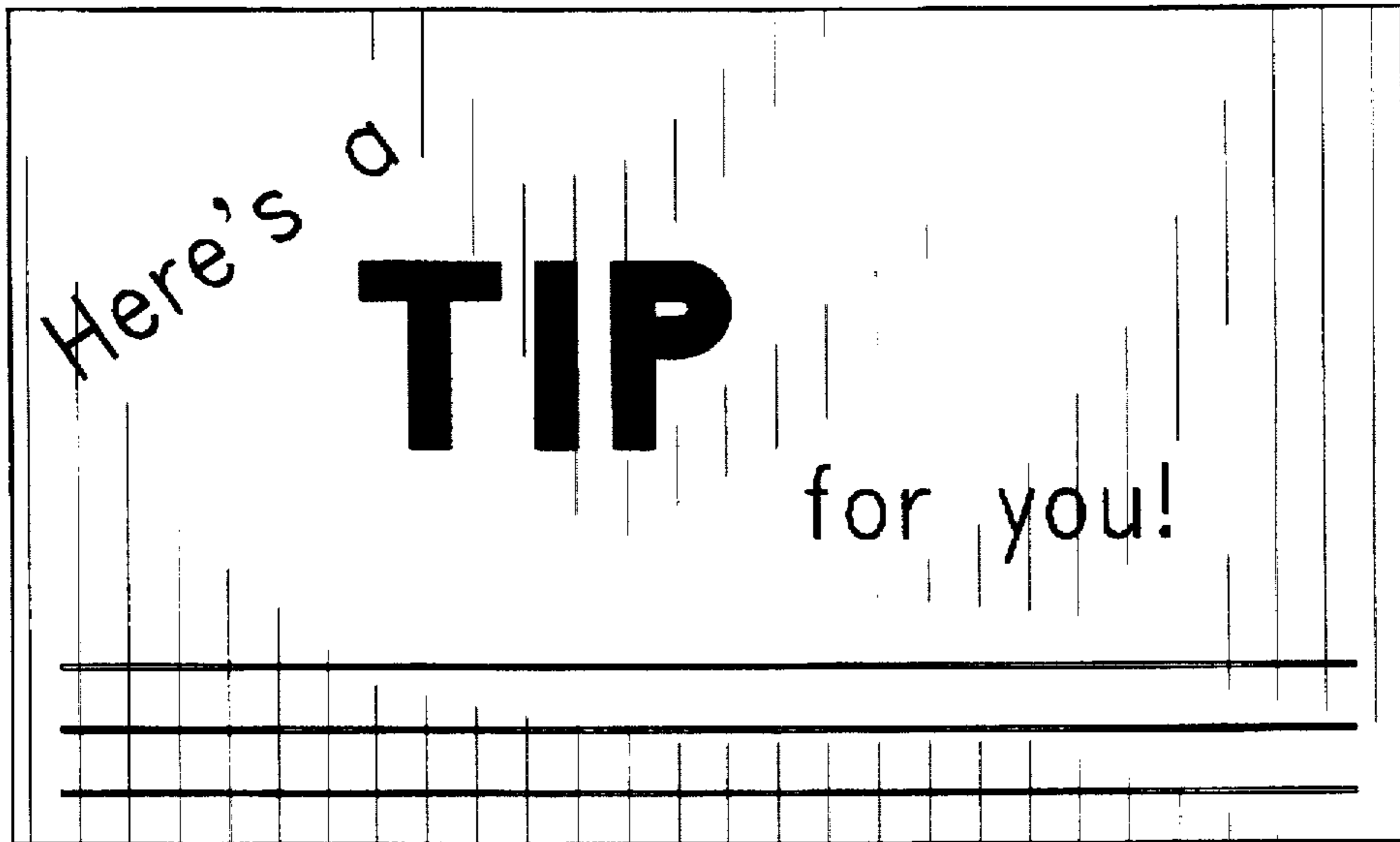


Fig. 1



Fig. 5



Fig. 6



Fig. 3



Fig. 4

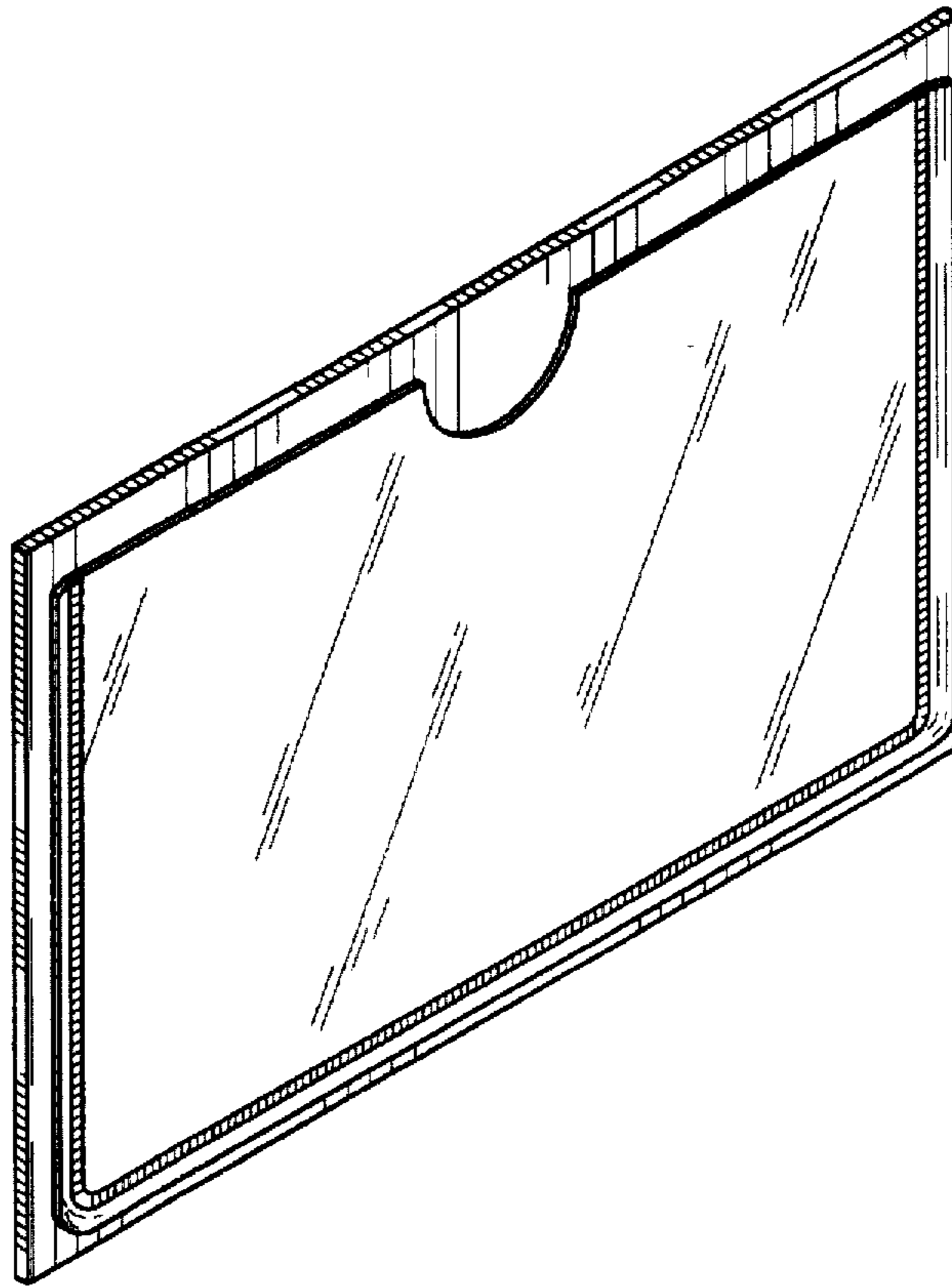


Fig. 8

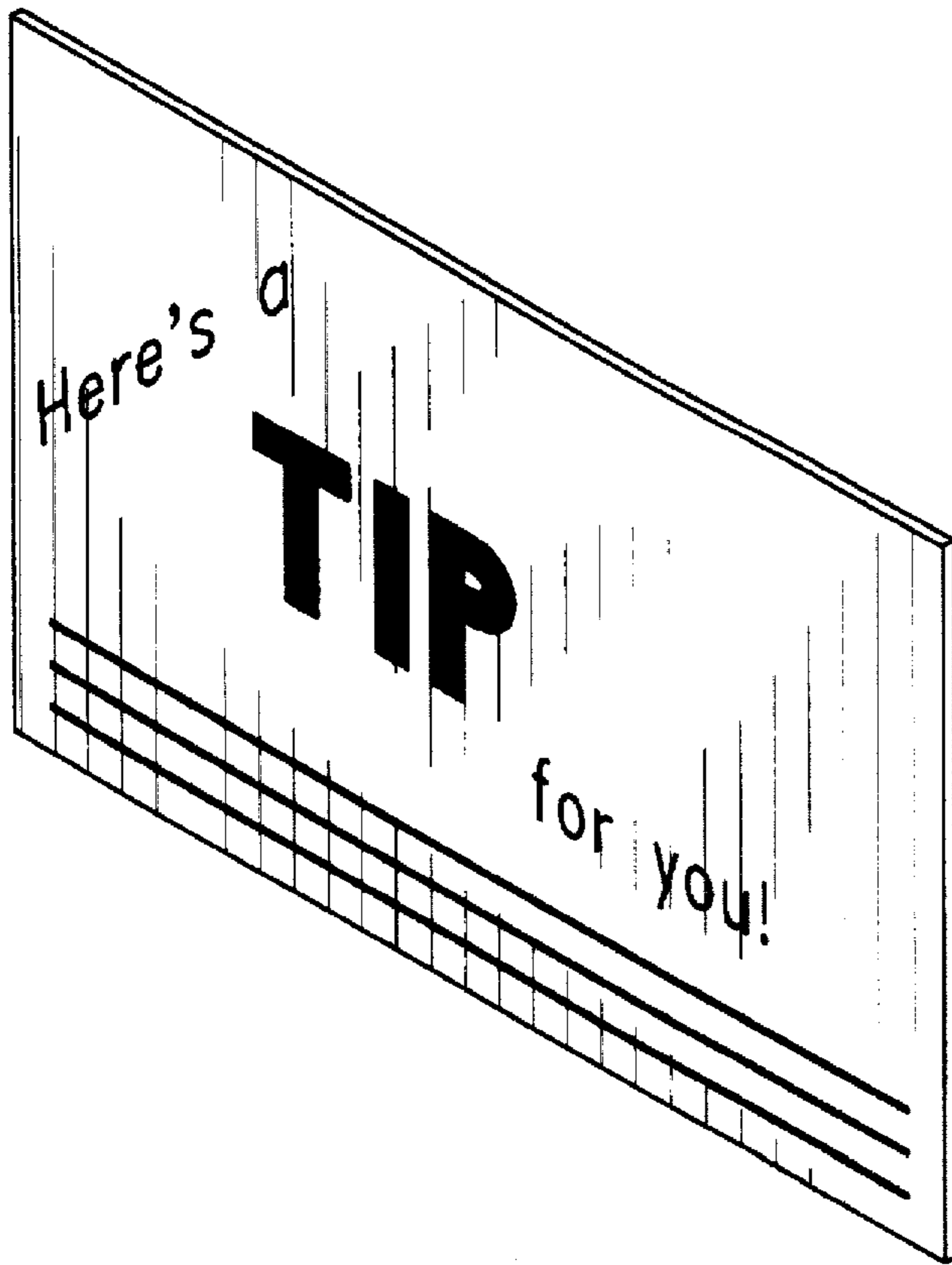


Fig. 7