



US00D392683S

United States Patent [19]

Alvern

[11] Patent Number: **Des. 392,683**

[45] Date of Patent: ****Mar. 24, 1998**

[54] **ADVERTIZING CARRYING BODY FOR USE ON A FILLER GUN**

[75] Inventor: **Stein Alvern, Oslo, Norway**

[73] Assignee: **Alvern Norway A/S, Norway**

[**] Term: **14 Years**

[21] Appl. No.: **60,806**

[22] Filed: **Oct. 8, 1996**

[30] Foreign Application Priority Data

Apr. 11, 1996 [NO] Norway D960230

[51] **LOC (6) Cl.** **20-03**

[52] **U.S. Cl.** **D20/19; D20/10; D20/42**

[58] **Field of Search** 141/390, 392, 141/98; 222/192; 40/299, 609; D20/42, 10, 19, 43; D15/9.1, 7; D8/349, 354

[56] References Cited

U.S. PATENT DOCUMENTS

- D. 173,006 9/1954 Anderson .
- D. 173,007 9/1954 Anderson .
- D. 279,483 7/1985 Goldman .
- D. 279,484 7/1985 Goldman .
- D. 366,310 1/1996 Fell .
- 4,408,791 10/1983 Griffin et al. .
- 4,465,209 8/1984 Wilder .
- 4,690,182 9/1987 Knaus .
- 5,058,637 10/1991 Fell 141/392

- 5,184,309 2/1993 Simpson et al. .
- 5,184,655 2/1993 Fell 141/392
- 5,385,182 1/1995 Dyer 141/392
- 5,458,170 10/1995 Ferguson 141/392

FOREIGN PATENT DOCUMENTS

- 0407271A1 1/1991 European Pat. Off. .
- 62-208396 9/1987 Japan .
- 850627 10/1992 Japan .
- 1393062 5/1975 United Kingdom .
- 2147273 5/1985 United Kingdom .
- WO90/08375 7/1990 WIPO .

Primary Examiner—Susan J. Lucas
Assistant Examiner—Jennifer Register
Attorney, Agent, or Firm—Finnegan, Henderson, Farabow, Garrett & Dunner, L.L.P.

[57] CLAIM

The ornamental design for an advertizing carrying body for use on a filler gun, as shown and described.

DESCRIPTION

FIG. 1 is a top, rear perspective view from one side of the advertizing carrying body for use on a filler gun embodying my design;

FIG. 2 is a bottom, front perspective view from the other side of the carrying body;

FIG. 3 is a rear view of the carrying body;

FIG. 4 is a top view of the carrying body; and,

FIG. 5 is a front view of the carrying body.

1 Claim, 3 Drawing Sheets

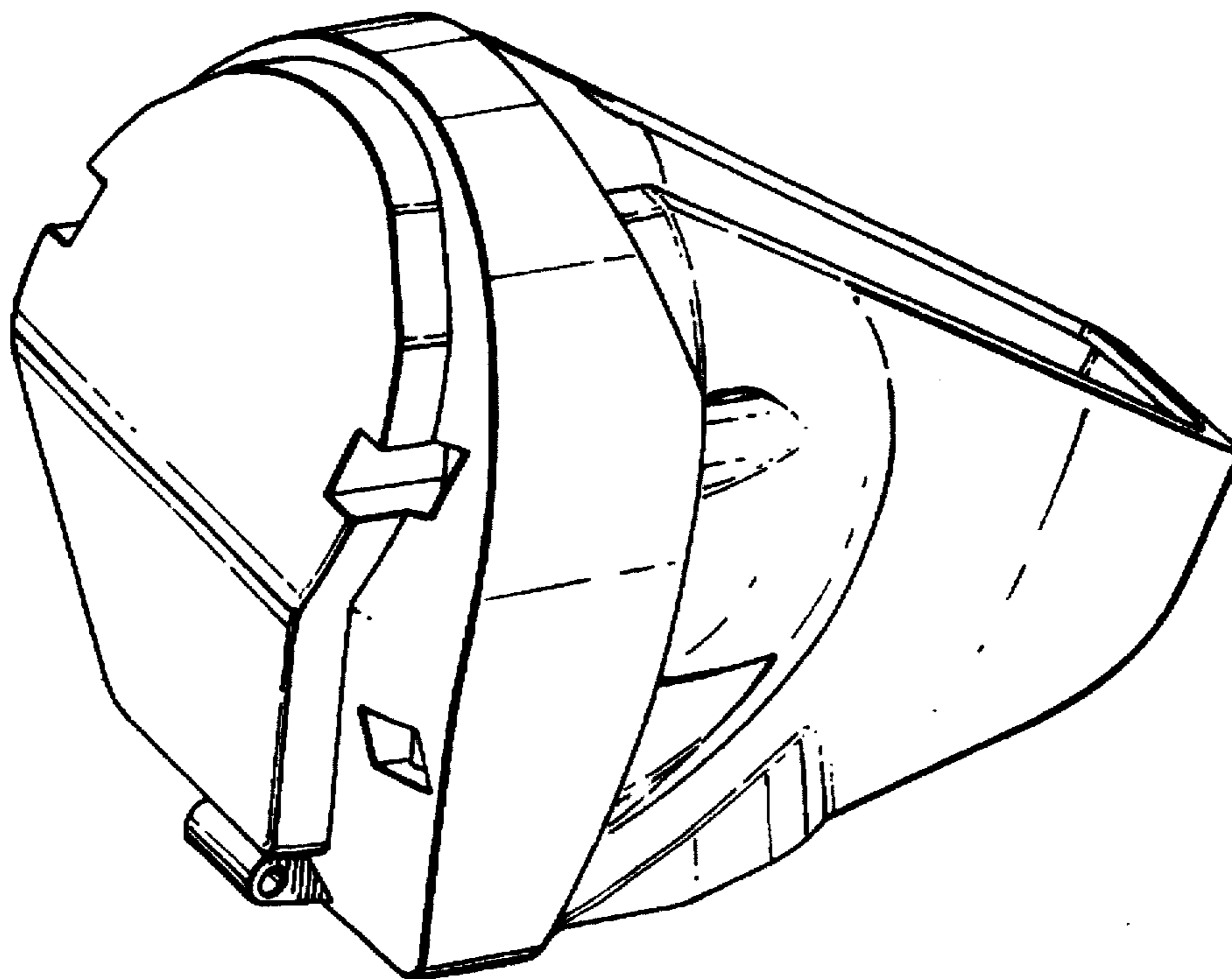


Fig.1.

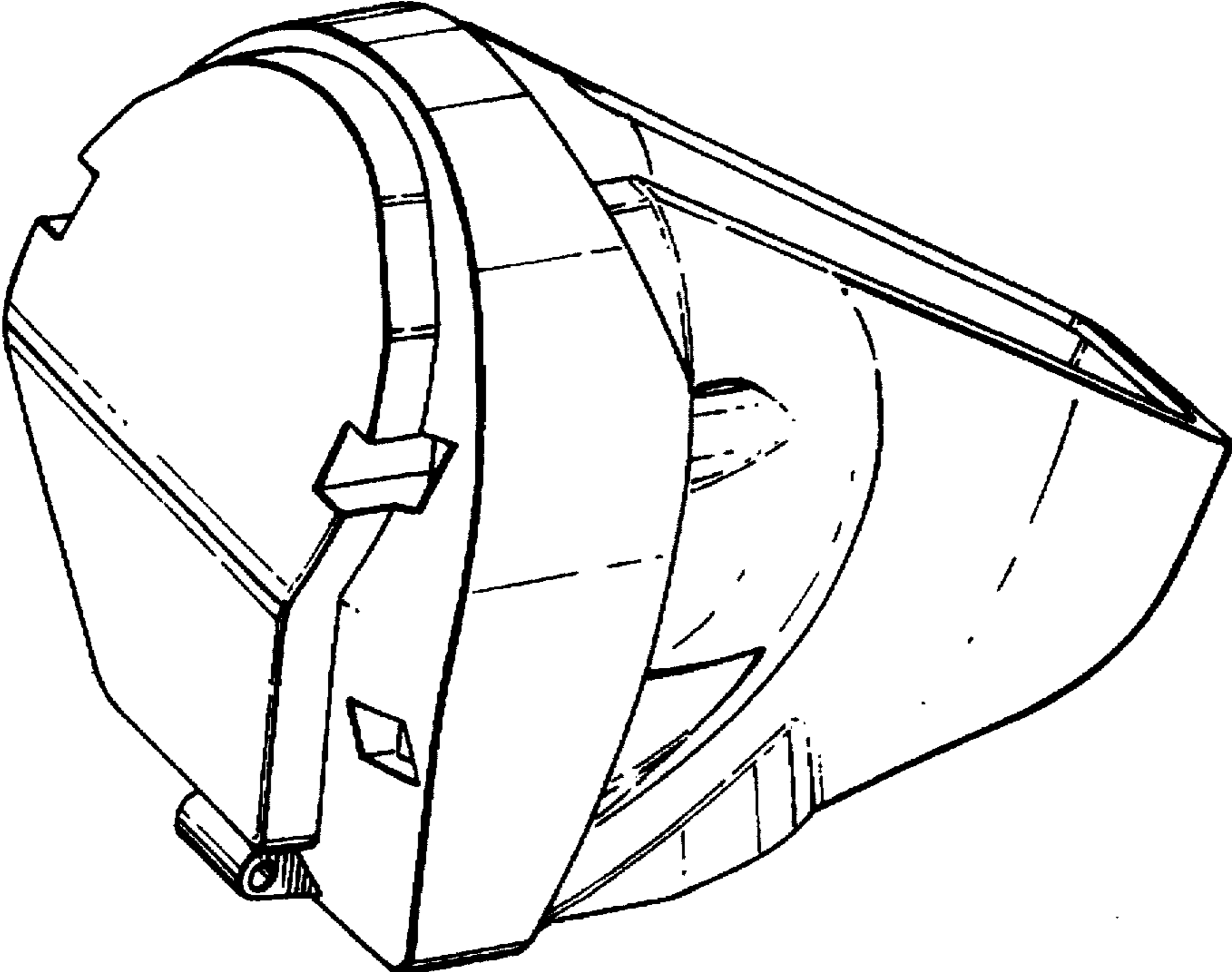


Fig.2.

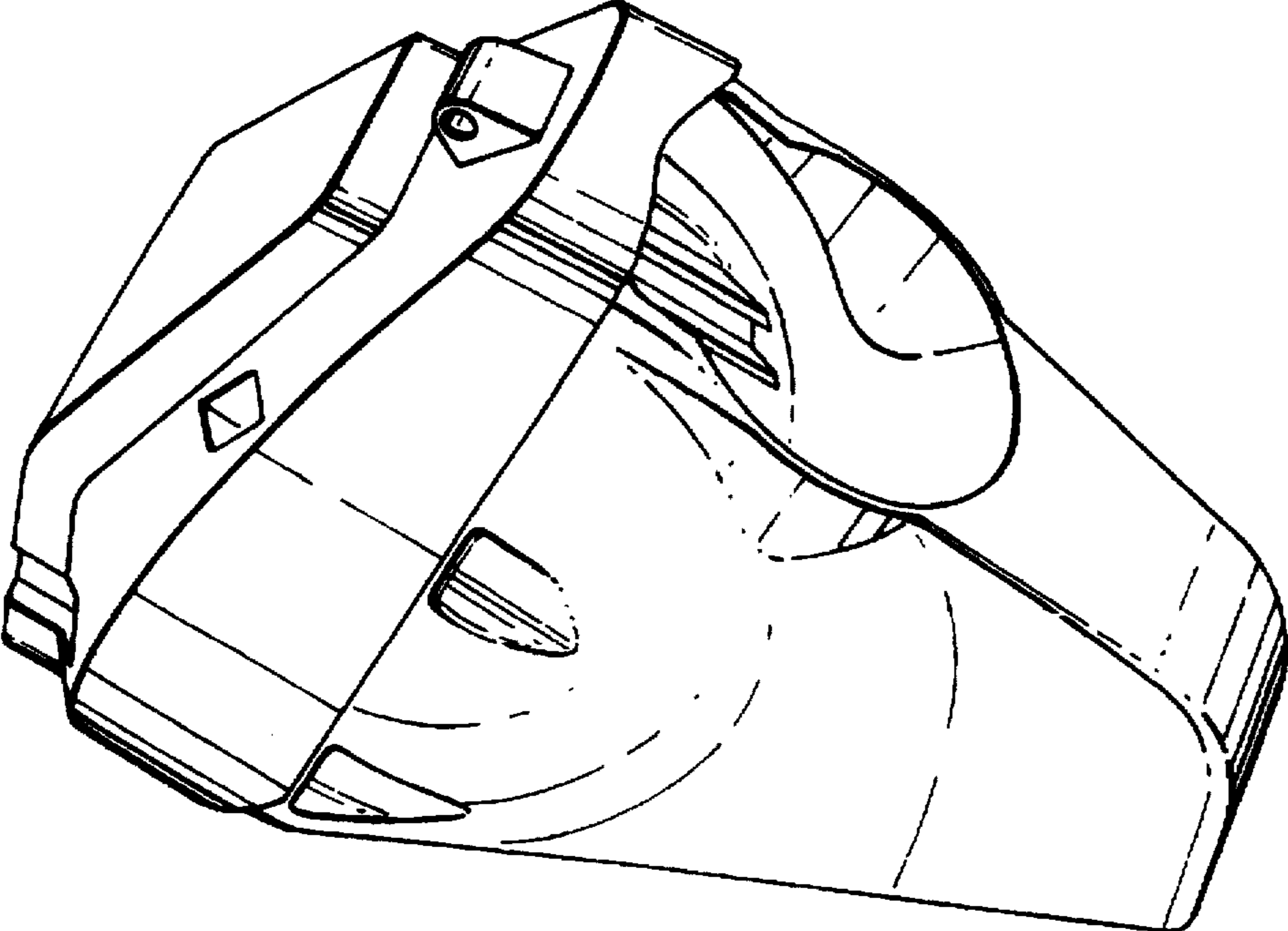


Fig.3.

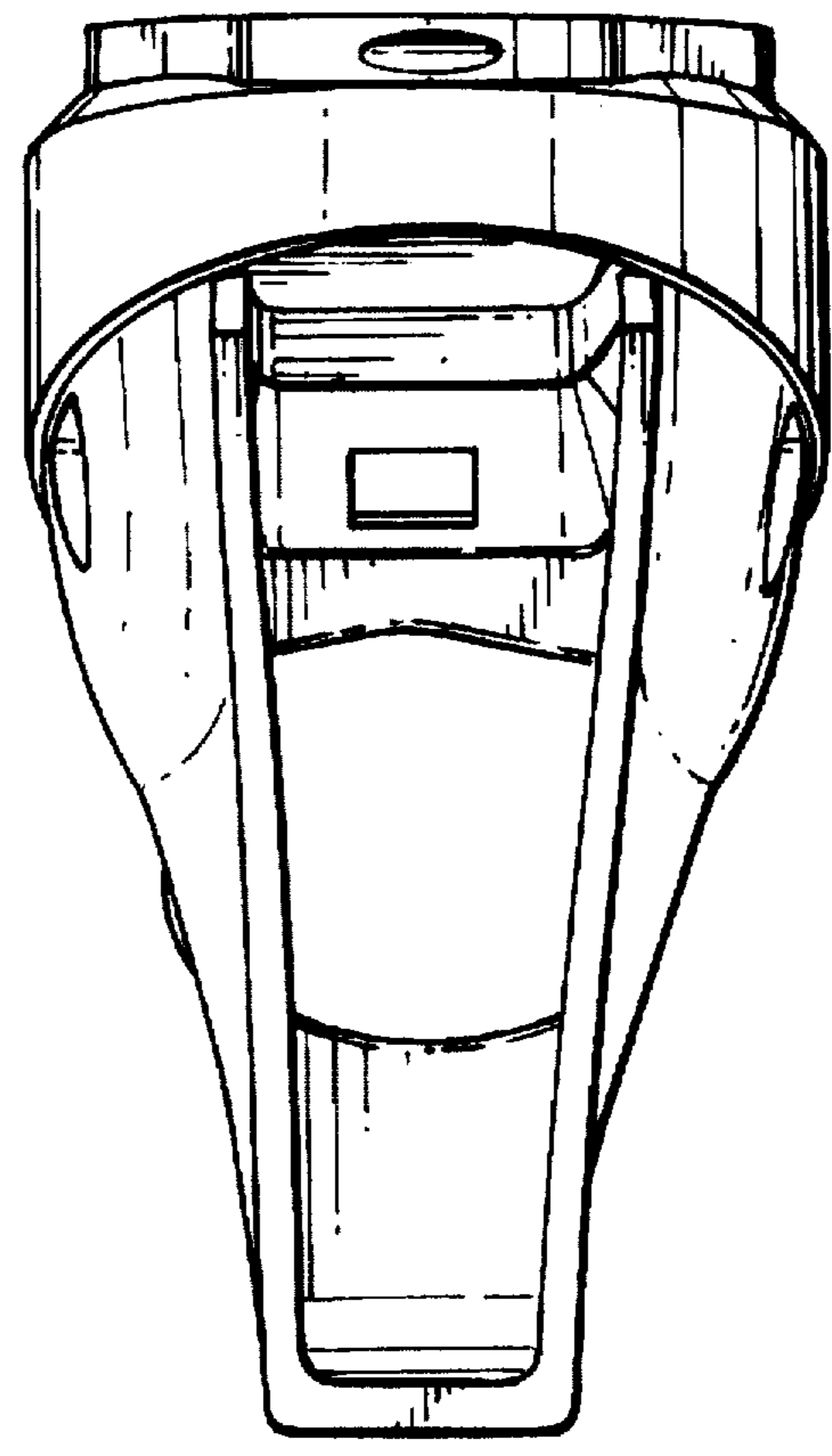


Fig.4.

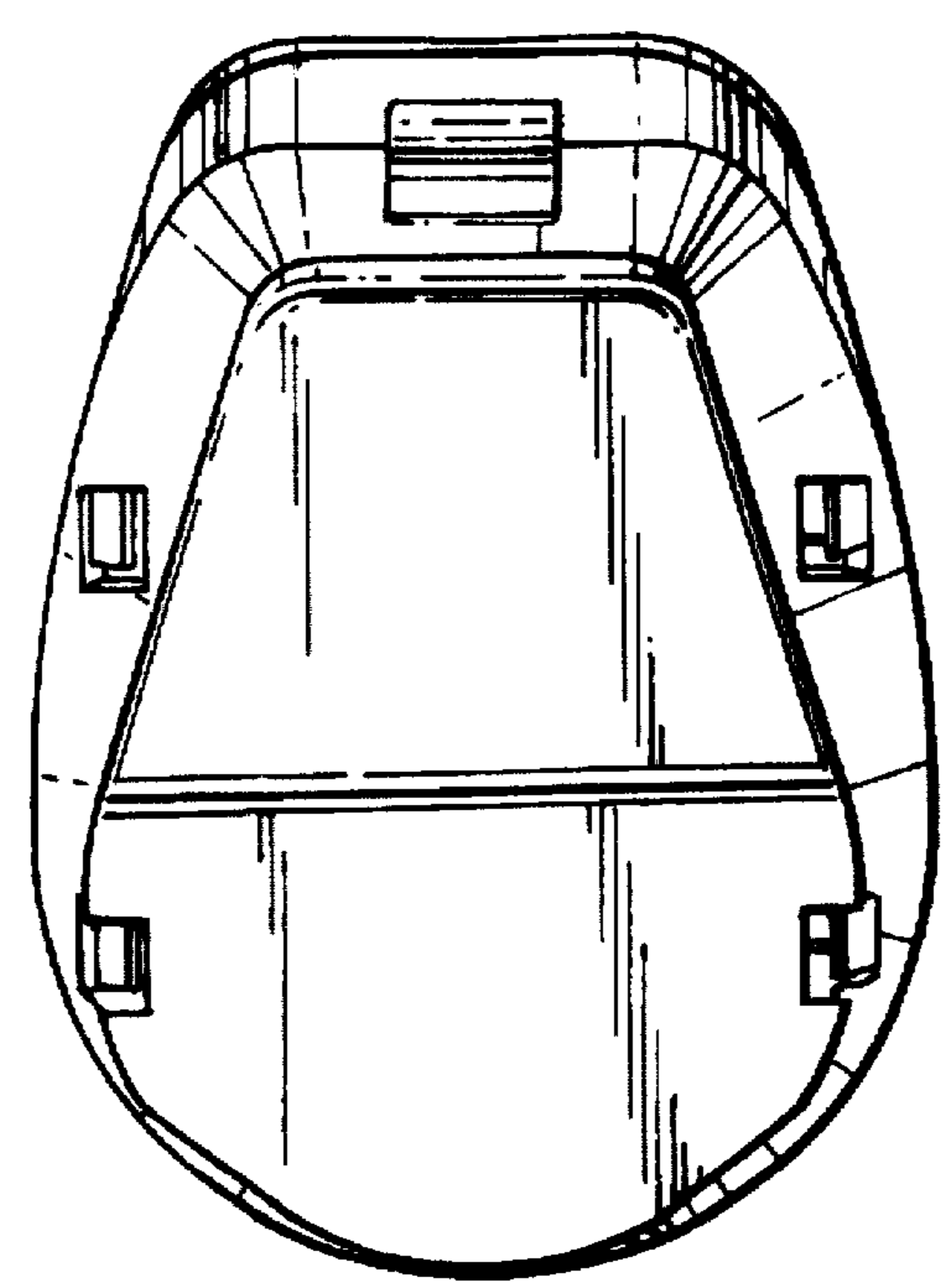


Fig.5.

