

US00D392680S

United States Patent [19]
Shaefer

[11] **Patent Number: Des. 392,680**
[45] **Date of Patent: **Mar. 24, 1998**

- [54] **HOLDER FOR MULTIPLE BUSINESS CARDS**
- [76] Inventor: **Louisa Shaefer**, 406 Shadowbluff Dr.,
San Antonio, Tex. 78216
- [**] Term: **14 Years**
- [21] Appl. No.: **29,331**
- [22] Filed: **Oct. 3, 1994**

Attorney, Agent, or Firm—Felsman, Bradley, Gunter & Dillon, LLP

[57] **CLAIM**

The ornamental design for a holder for multiple business cards, as shown and described.

DESCRIPTION

Related U.S. Application Data

- [63] Continuation-in-part of Ser. No. 18,731, Feb. 14, 1994, abandoned.
- [51] **LOC (6) Cl.** **19-02**
- [52] **U.S. Cl.** **D19/90; D19/86; D19/95**
- [58] **Field of Search** **D6/475, 515, 569, D6/567, 553, 513; D20/43, 40; D19/65, 78, 86, 90, 91, 95, 99, 100; 40/156; 211/11, 13, 50, 45, 48, 87, 88**

- FIG. 1 is a left side elevational view of the present invention;
- FIG. 2 is a right side elevational view thereof;
- FIG. 3 is a front elevational view thereof;
- FIG. 4 is a rear elevational view thereof;
- FIG. 5 is a top plan view with the back in an open position;
- FIG. 6 is a bottom plan view with the back in an open position;
- FIG. 7 is a front and right perspective view with the back in an open position;
- FIG. 8 is a front and right perspective view of FIG. 1; and,
- FIG. 9 is a right side elevational view of FIG. 1, the second holder being depicted by means of broken lines to illustrate the interlocking feature and forming no part of the claimed design.

[56] **References Cited**

U.S. PATENT DOCUMENTS

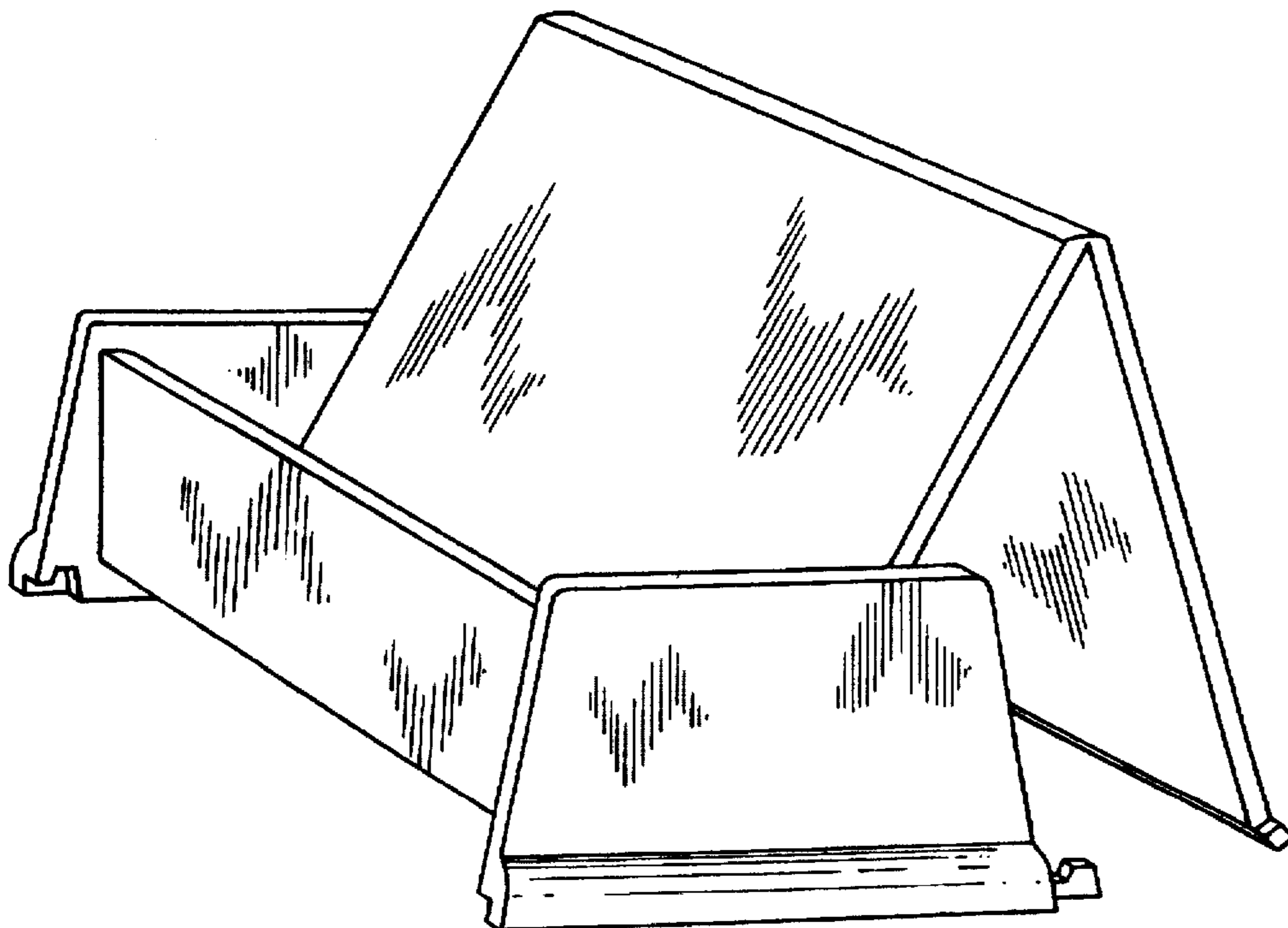
- D. 263,934 4/1982 Fueneisen D19/91 X
- D. 329,558 9/1992 Keown D6/515
- D. 348,485 7/1994 Short D19/90

OTHER PUBLICATIONS

Display Inovations in Acrylic, p. 4, circled card holder, lower left—desk copy.

Primary Examiner—Martie Thompson

1 Claim, 4 Drawing Sheets



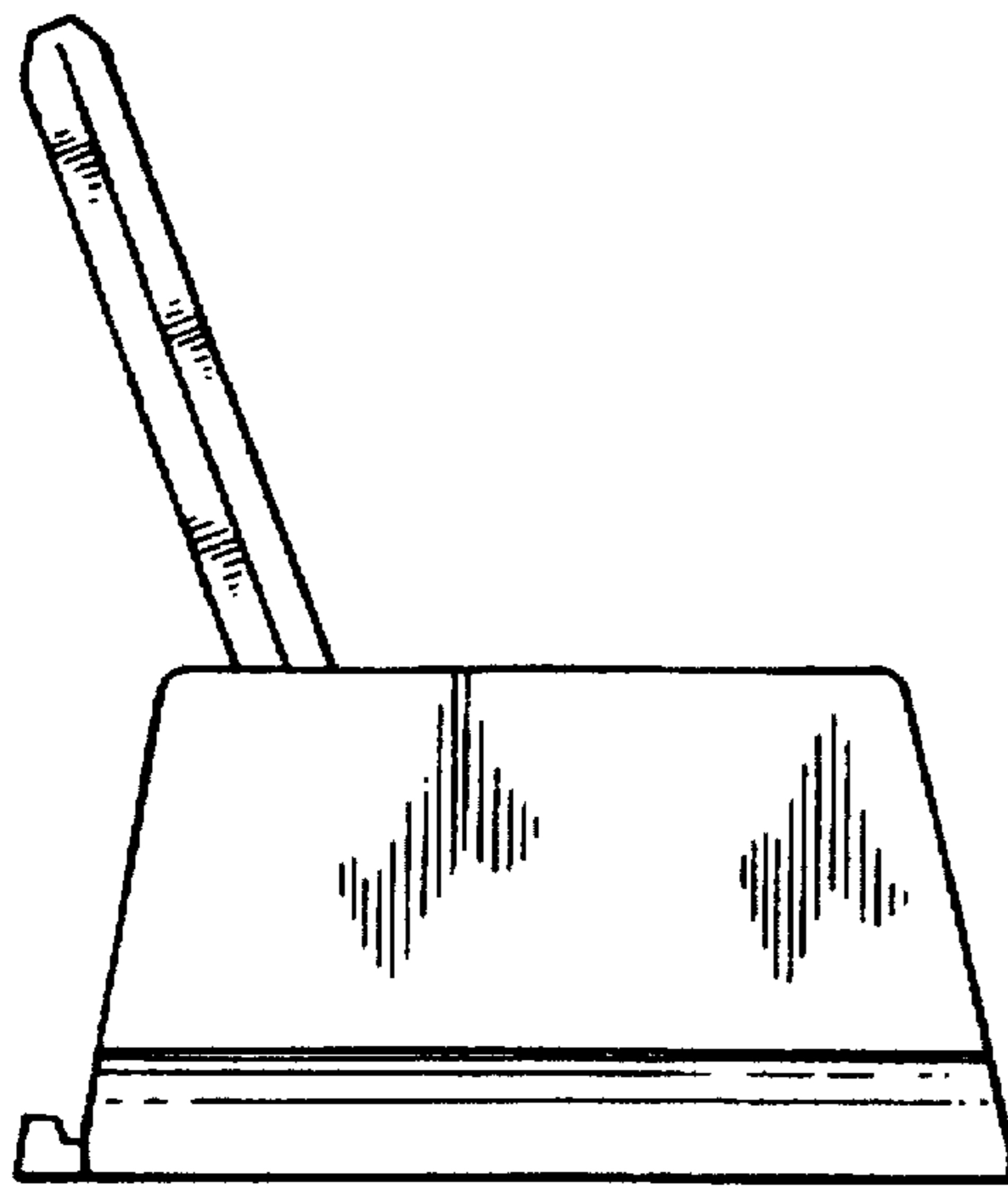


Fig. 1

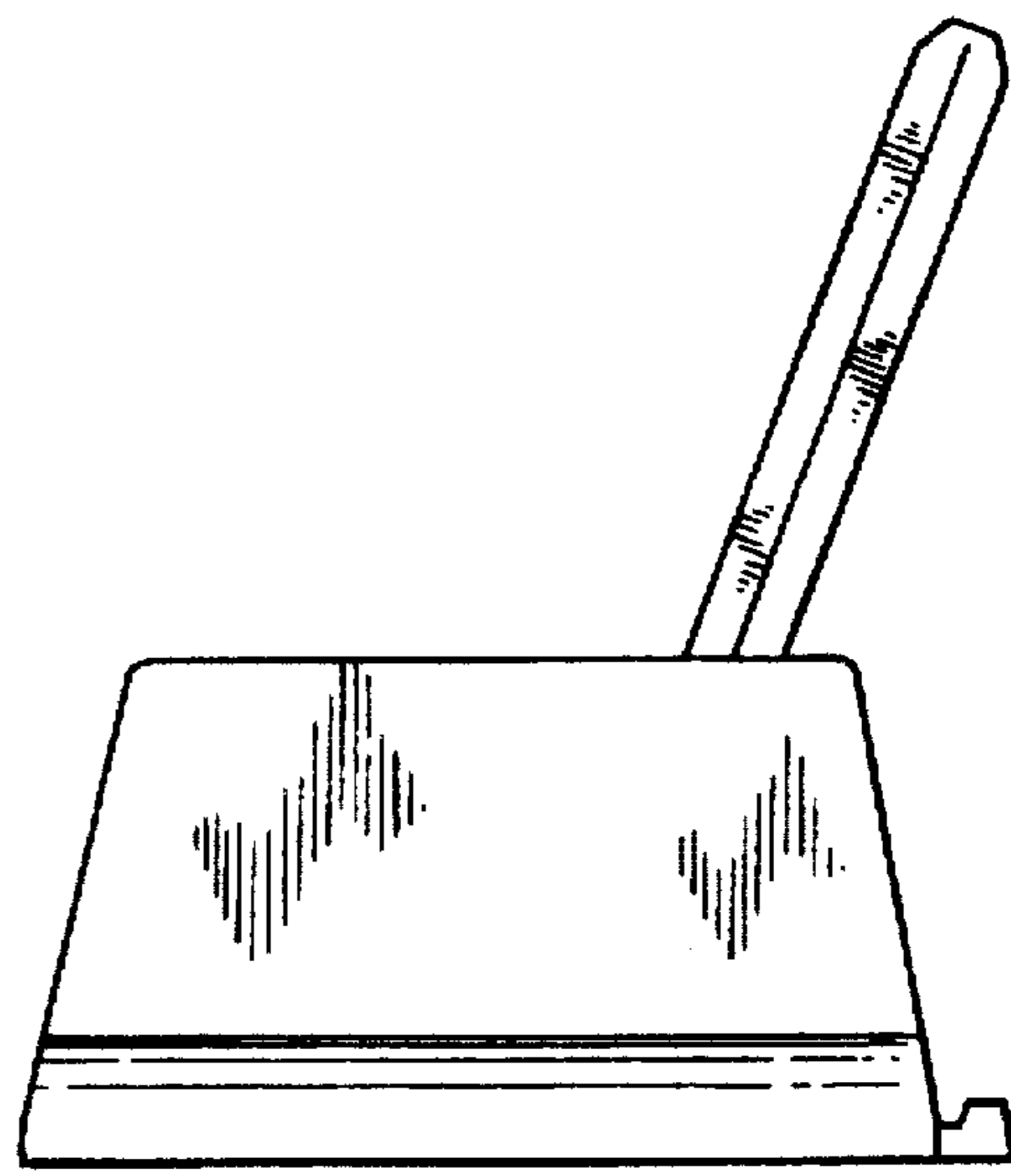


Fig. 2

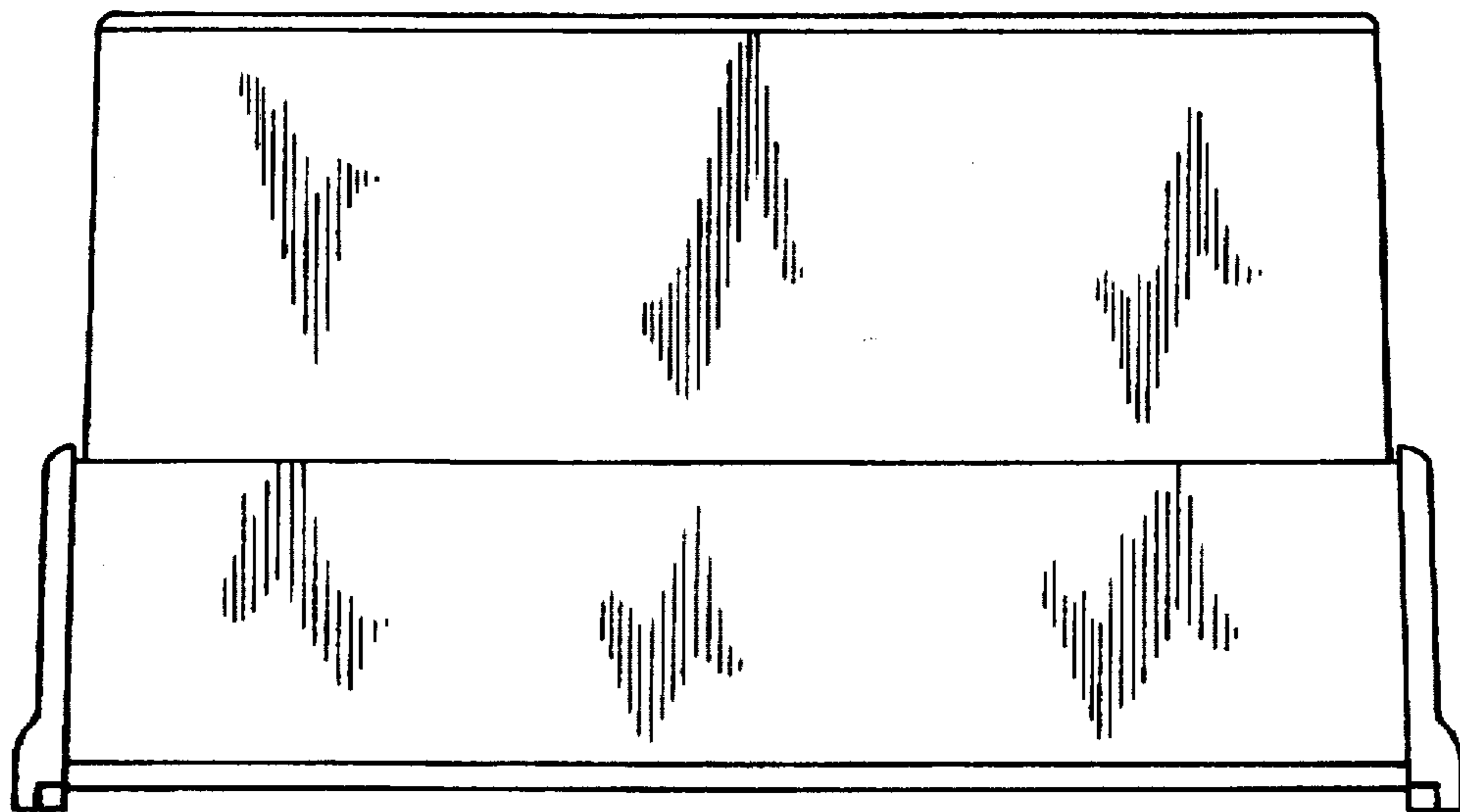


Fig. 3

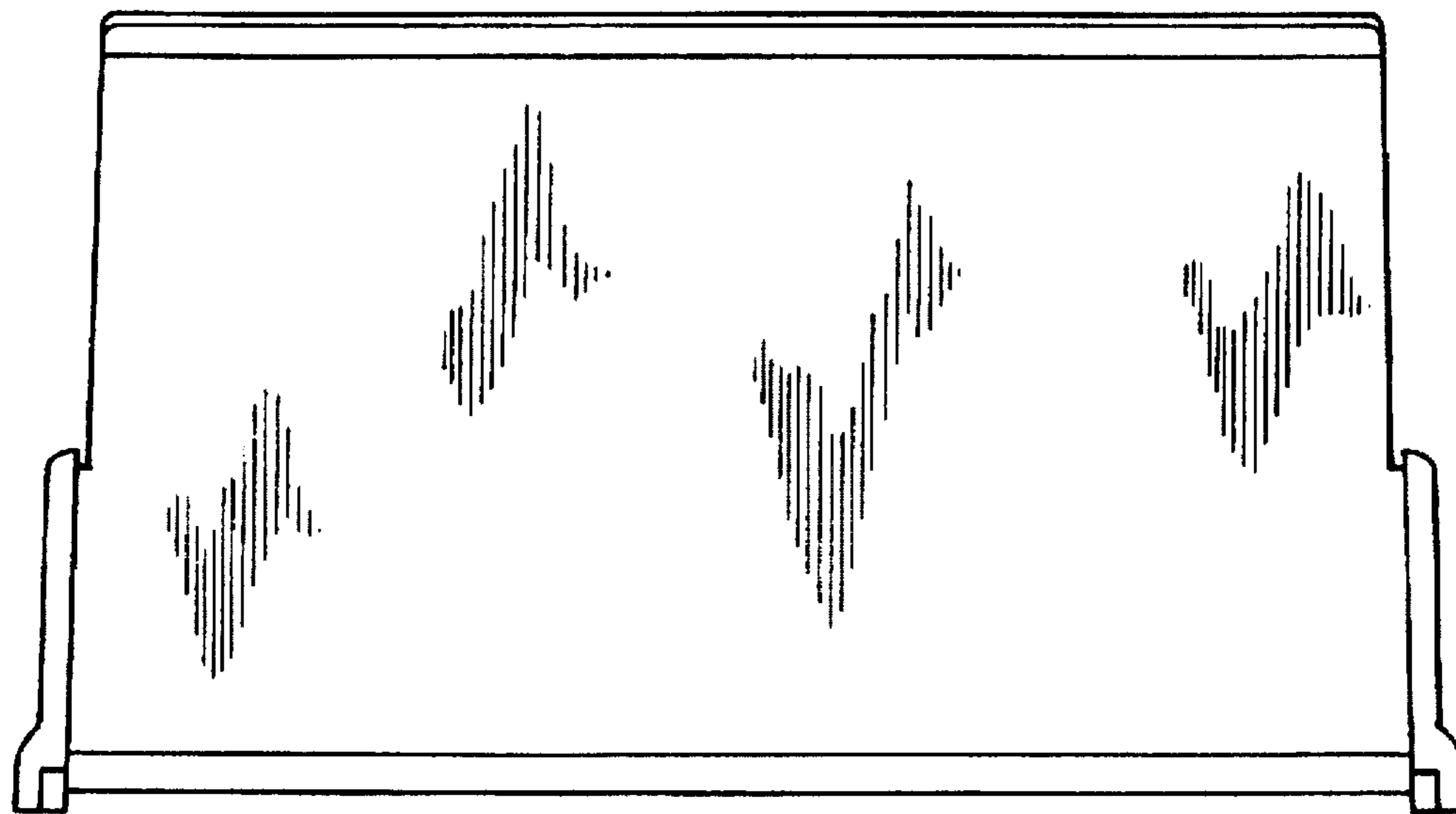


Fig. 4

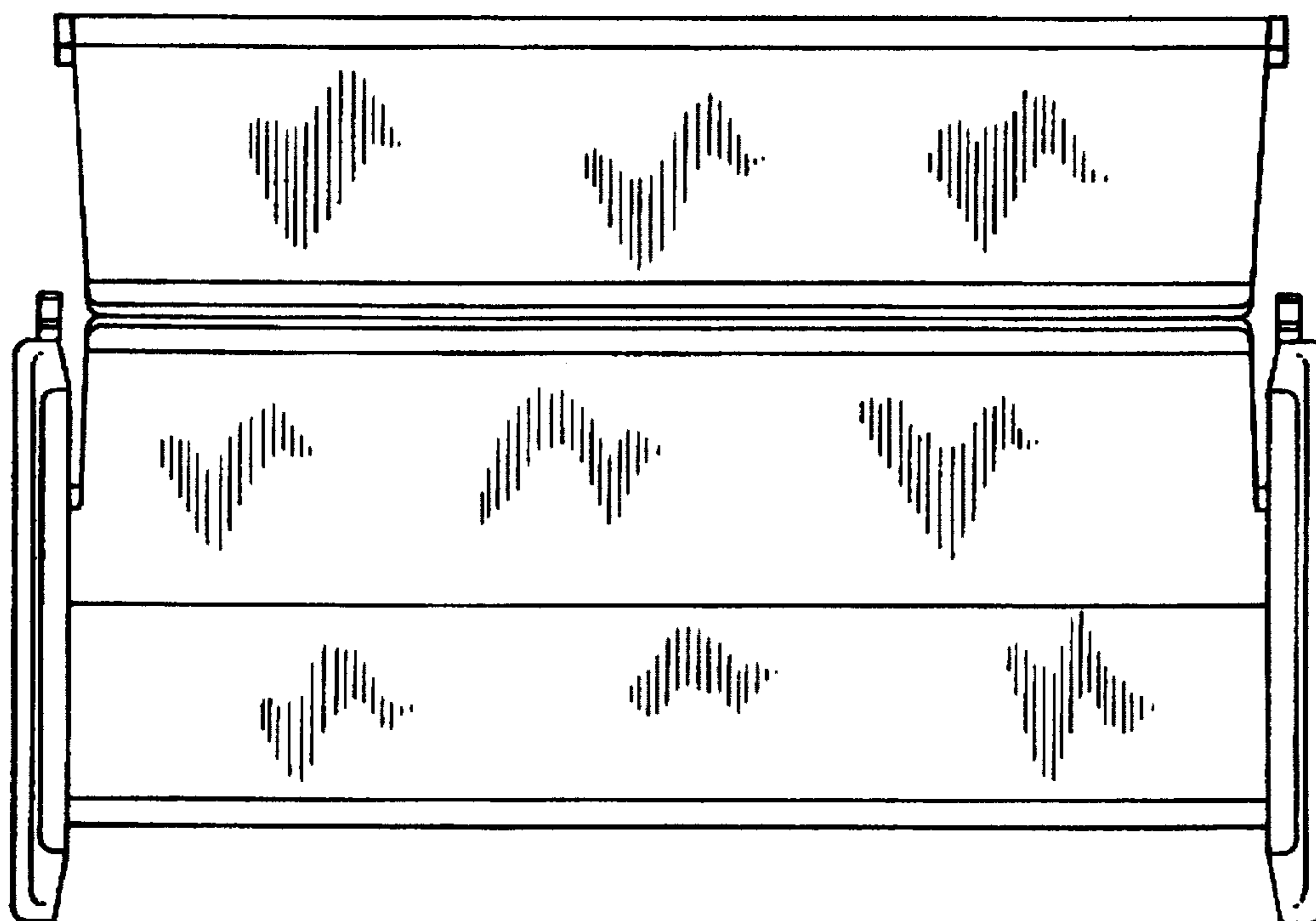


Fig. 5

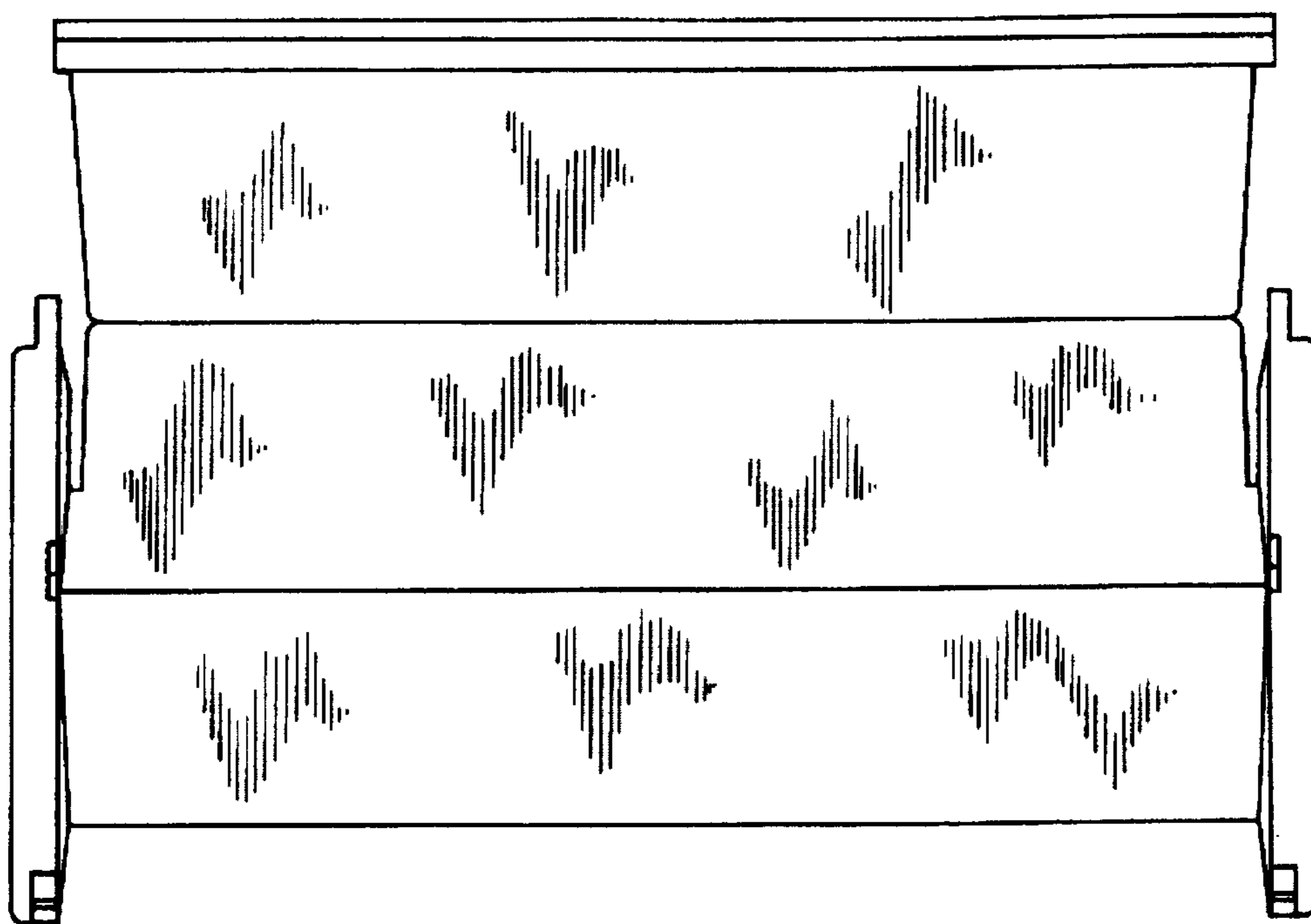


Fig. 6

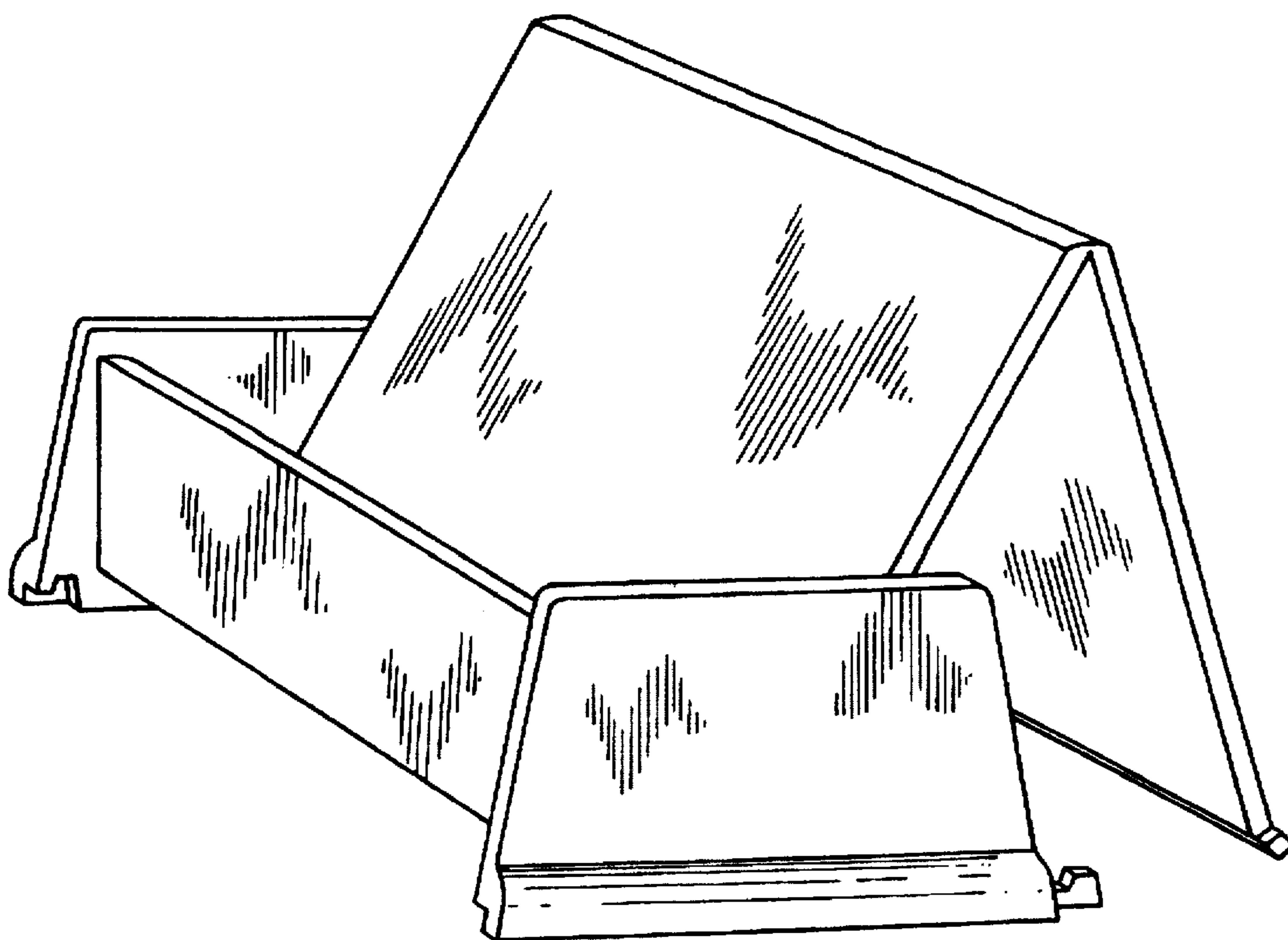


Fig. 7

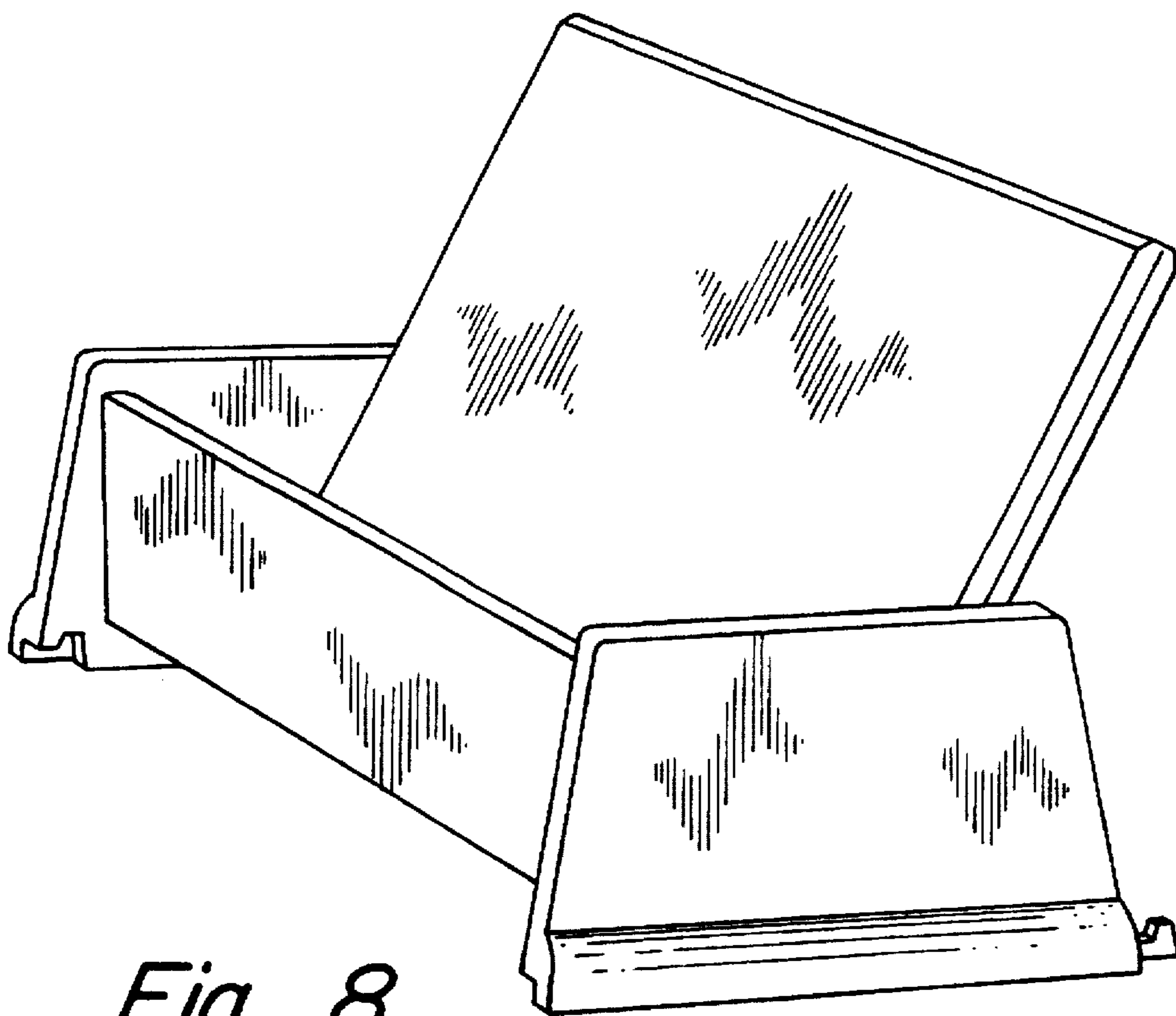


Fig. 8

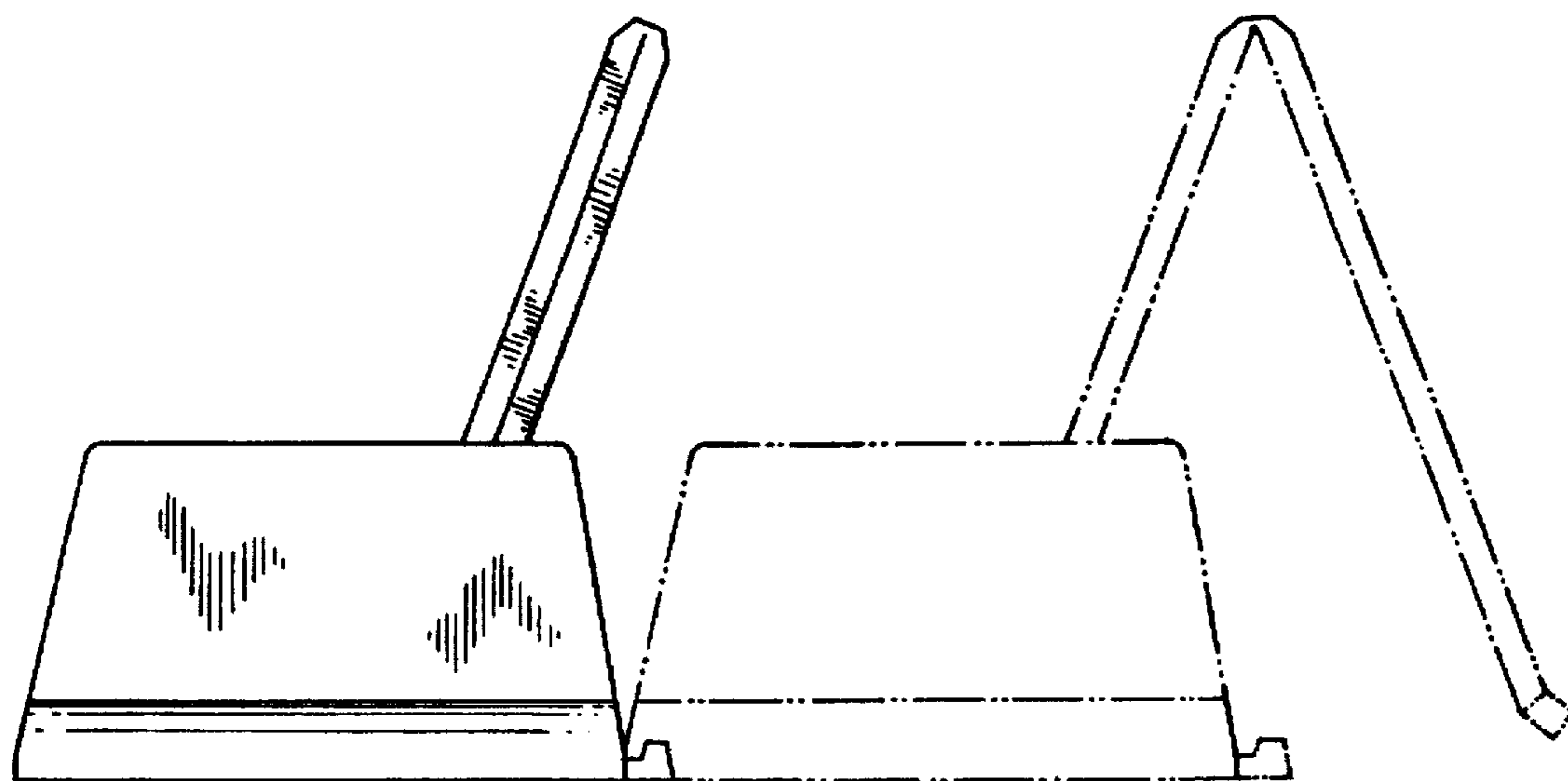


Fig. 9